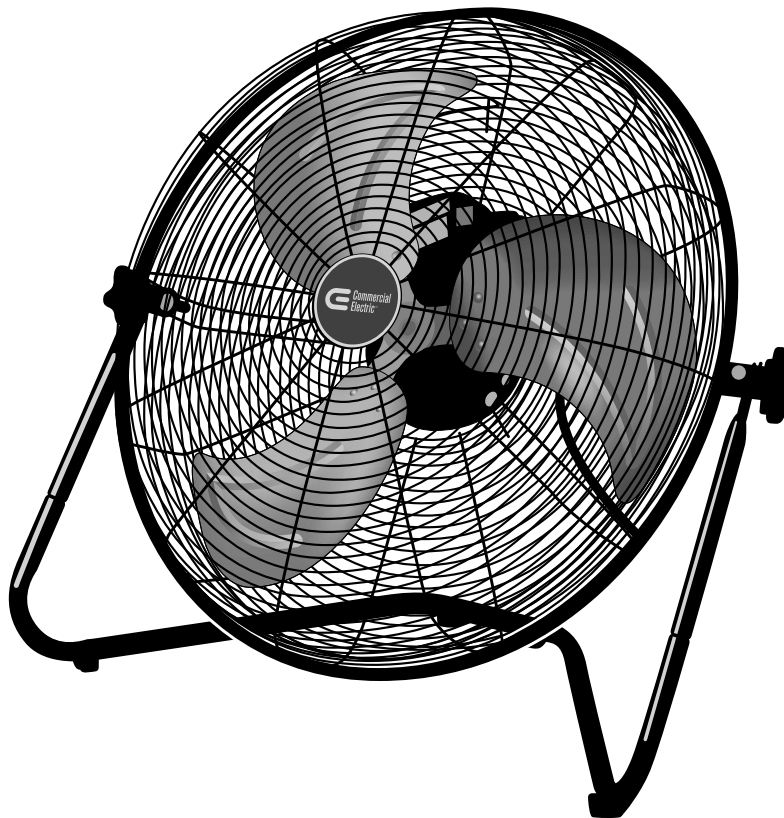


USE AND CARE GUIDE

20-INCH HIGH VELOCITY FLOOR FAN



Questions, problems, missing parts? Before returning to the store,
call Commercial Electric Customer Service
8 a.m. - 7 p.m., EST, Monday - Friday
9 a.m. - 6 p.m. Saturday
1-877-527-0313

HOMEDEPOT.COM

THANK YOU

We appreciate the trust and confidence you have placed in Commercial Electric through the purchase of this fan. We strive to continually create quality products designed to enhance your home. Visit us online to see our full line of products available for your home improvement needs. Thank you for choosing Commercial Electric.

Table of Contents

Table of Contents.....	2	Warranty.....	3
Safety Information.....	2	Assembly.....	4
General Information.....	2	Operation.....	5
Specifications.....	3	Cleaning.....	5

Safety Information

READ AND SAVE THESE INSTRUCTIONS

- Read all instructions before using the Fan.
- Make certain that the power source conforms to the electrical requirements of the Fan.
- Use the Fan only as described in these instructions. Any other use not recommended by the manufacturer may cause fire, electrical shock or injury to persons.
- To reduce the risk of personal injury and electric shock, the Fan should not be played with or placed where small children can reach it.
- Unplug power cord before installing, servicing or moving the Fan.
- This Fan must NOT be used in potentially dangerous locations such as flammable, explosive, chemical-laden or wet atmospheres.
- DO NOT use Fan in or near a window. Rain may create an electrical hazard.
- Completely assemble the Fan according to the assembly instructions before connecting to power supply.
- Where possible, avoid the use of extension cords. If they must be used, minimize the risk of overheating by ensuring that they are UL listed. Never use a single extension cord to operate more than one Fan. Do not plug the Fan into any other cord-connected device such as a power strip, cord reel, surge protector, multiple outlet adapters or outlet-type air fresheners. The use of such devices may create a fire hazard.
- Do not operate any Fan with a damaged cord or plug or after the Fan malfunctions, has been dropped or damaged in any manner.
- Do not insert or allow fingers or foreign objects to enter any ventilation or exhaust opening, as it may cause an electric shock, fire or damage the Fan. Do not block or tamper with the Fan in any manner while it is in operation.
- Always place the Fan on a stable, flat, level surface when operating to avoid the chance of the Fan overturning. Locate the Power Cord so the Fan or other objects are not resting on it. Do not run Power Cord under carpeting. Do not cover Power Cord with throw rugs, runners, or the like. Arrange Power Cord away from room traffic and where it will not be tripped over.
- This Fan is not intended for use in wet or damp locations. Never locate a Fan where it may fall into a bathtub or other water container.
- Do not use Fan outdoors.
- This Fan is not suitable for use in agricultural facilities including areas where livestock, poultry or other animals are confined. Please refer to National Electric Code (NEC) Article 547-7 (2008) or applicable state or local codes or standards relating to electrical requirements for Agricultural Buildings.
- This Fan is not suitable for use in hazardous locations. Please refer to National Electric Code (NEC) Article 500 or applicable state or local codes or standards relating to electrical requirements for Hazardous locations.

WARNING: Do not depend upon the on-off switch as the sole means of disconnecting power when installing or servicing the fan. Always unplug the power cord.



WARNING: This appliance has a three-prong grounded plug. This plug is a safety device. To reduce the risk of fire, shock and personal injury, do not remove, replace, repair or tamper with the originally supplied plug.



CAUTION: This fan is intended for indoor residential use only.



NOTICE: This fan does not meet the requirements of NEC Article 547-7 (2008) relating to electrical requirements for agricultural buildings.

NOTICE: This fan does not meet the requirements of NEC Article 500 (2008) relating to electrical requirements for hazardous locations.

WARNING: To reduce the risk of fire or electric shock, do not use this fan with any solid state speed control devices.



Safety Information (cont.)

SPECIFICATIONS

- 24" H x 25" L x 14" W
- 1.4 Amps (H) / 1.25 Amps (M) / 1.2 Amps (L)
- 100 Watts / 60Hz / 120 Volts
- 5ft power cord

Warranty

The manufacturer extends this warranty to the original retail purchaser of its model or, if this unit is purchased and installed by a building contractor, then to the original owner of the home. No subsequent purchaser of the unit or of a home which it is installed is entitled to any of the benefits of this warranty.

This product is warranted against defects in materials and workmanship for a period of two (2) years from the date of original retail purchase. No other parts or components are warranted. There is no warranty for defects caused by abuse, faulty installation, or the like. Repairs or replacement parts supplied under this warranty are warranted only for the period of this warranty; that is, two (2) years from the date of the original retail purchase of the unit.

In the event of a defect or malfunction, we will replace or repair the defective part or component only and return the new or repaired part to you freight prepaid. You must bear all other expenses incurred in obtaining repairs, including labor required for field repair or replacement, and the cost of shipping the defective part to us. You must also bear the cost of replacement of any part or component and the shipping charges incurred for the replacement and return to you any part or component not covered by this warranty, including parts or components damaged by you.

The manufacturer reserves the right to demand and receive written evidence of the date of purchase before undertaking to perform its obligations under this warranty. You should, therefore, retain your sales slip. There is no informal dispute settling mechanism available in the event of a controversy involving this warranty.

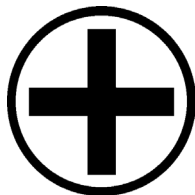
Any and all implied warranties which may exist terminate upon the expiration of this warranty, two (2) years from the date of the original retail purchase. Some states do not allow limitations on how long an implied warranty lasts, so this limitation may not apply to you.

The manufacturer is not liable to you for incidental or consequential damages arising out of a defect or malfunction of a unit, or its installation, or out of any alleged breach of this warranty. Some states do not allow the exclusion or limitation of incidental or consequential damages, so this limitation may not apply to you. This warranty gives you specific legal rights, and you may also have other rights which vary from state to state.

Contact the Customer Service Team at 1-877-527-0313 or visit www.HomeDepot.com.

Assembly

TOOLS REQUIRED

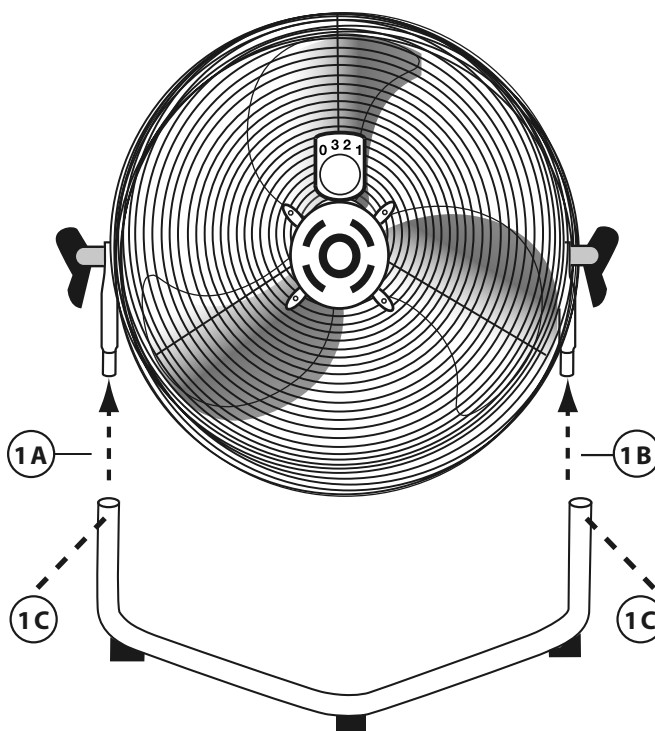


Phillips Screwdriver

TUBE BASE ASSEMBLY INSTRUCTIONS

- Remove two screws from fan support tubes. Retain screws for use below.
- Slide one end of V-shaped tube base onto the fan support tube with smaller end (Fig 1 A in diagram).
- Slide the other end of the V-shaped tube base onto the second fan support tube with smaller end (Fig 1 B in diagram).
- Align the holes in each side of the tube base with the holes in each side of the fan tube. (Fig 1 C in diagram). Secure with screws removed above.

FIGURE 1



Operation

HOW TO ADJUST TILT

- Use adjustment knobs on either side of fan to loosen tilt nut by turning counterclockwise.
- Adjust fan head to desired tilt.
- Tighten both knobs by turning clockwise.

SPEED CONTROL

- Rotate switch to HIGH (3), MEDIUM (2) or LOW (1) speed for respective air velocity.

PLEASE NOTE

- It is normal for the fan motor to feel warm to the touch after continuous operation. This fan features a thermal cutoff that will automatically shut off the motor should it overheat for any reason. If this happens, unplug the fan from the outlet immediately.

Cleaning

Unplug the fan from electrical supply before cleaning.

- Use soft, damp cloth to clean fan. Remove any moisture with clean, dry cloth.
- Do not use any cleaning solution that is harmful to paint or plastic.
- Do not bend blades when cleaning fan.

NOTICE: The motor bearings in this fan unit are permanently sealed and do not require additional lubrication or maintenance.



**Questions, problems, missing parts? Before returning to the store,
call Commercial Electric Customer Service
8 a.m. - 7 p.m., EST, Monday - Friday
9 a.m. - 6 p.m. Saturday
1-877-527-0313**

HOMEDEPOT.COM

Retain this manual for future use.