

Description

The Halo RL6 Direct Mount is a SeleCCTable complete LED Baffle-Trim Module for 6 inch aperture applications, all without the need for a recessed housing; suitable for new construction, remodel and retrofit installation. Using the CCT selectable switch users can chose between five different color temperatures. The RL family offers a regressed lens that provides uniform illumination and wet location listing. Precision construction makes this product AIR-TITE for added savings and code compliance.

Catalog #		Type
Project		
Comments		Date
Prepared by		

Specification Features

CCT Select System

- Use the switch to choose between 2700K, 3000K, 3500K, 4000K, and 5000K CCT.

Module - Trim

- Module construction includes LED Array, heat sink, reflector, lens, baffle and trim ring.
- Regressed baffle
- Heat sink designed to conduct heat away from the LED Array

LED Array

- Mid power LED array provides a uniform source with high efficiency and no pixilation.
- 90 CRI minimum, R9 greater than 50
- Color accuracy within 3 SDCM at the CCT endpoints and 4 SDCM in between endpoints, provide color accuracy and uniformity.
- Color Temperature (CCT) has an selectable range from 2700K to 5000K (factory default 3000K)

Optical Assembly

- Regressed lens
- Impact-resistant polycarbonate
- Convex form and lamp-like appearance
- Diffuse for even illumination

Gaskets

- Closed cell gaskets achieve restrictive airflow requirements without additional caulking

Remote Driver/ Junction Box

- Aluminum driver / junction box with captive hinged junction box cover
- Listed for (6) #12 AWG 90° C splice conductors, 2-in, 2-out plus (2) ground
- (2) ½" conduit pry-outs
- (2) Slide-N-Side™ non-metallic (NM) wire traps all
- Accepts 14-2, 14-3, 12-2, 12-3 U.S and 14-2, 14-3, 12-2 Canadian NM cable
- (3) 4-port push wire nuts with clear caps for quick and reliable mains voltage connections
- Integral keyhole mounting slots facilitate direct mounting to building structure or new construction mounting frame

Driver

- Integral 120V 60 Hz constant current driver provides noise free operation
- Continuous, flicker-free dimming from 100% to 5%.
- Plenum rated inline electrical quick connect provides low voltage connection to fixture fitting

Installation

- Can be installed in 1/2" to 1-1/4" thick ceilings
- Cutout can utilize standard round hole saw sizes, cutout template provided
- Heat treated springs hold fixture fitting securely in the ceiling eliminating light leaks
- Can be removed from below the ceiling for service or replacement

Mounting / Retention

- The RL-DM requires no housing or third party junction box
- The remote enclosure may be used in direct contact with insulation.
- Installer must cut template out of drywall and install into aperture with the clips compressed.
- When released, the spring clips will rest on to the back side of the drywall
- Not for installation in recessed cans

Compliance

- UL Certified for US and Canada
- Wet and Damp location listed
- Airtight certified per ASTM-E283
- Suitable for use in clothes closets when installed in accordance with the NEC 410.16 spacing requirements
- EMI/RFI emissions per FCC 47CFR Part 15 consumer limits
- Contains no mercury or lead and RoHS compliant
- Photometric testing in accordance with IES LM-79-08
- Lumen maintenance projections in accordance with IES LM-80-08 and TM-21-11
- Can be used for State of California Title 24 high efficacy luminaire compliance. Complies with Title 24 JA8-2016-E.
- Can be used International Energy Conservation Coe (IECC) and Washington State Energy Code high efficiency luminaire compliance.
- ENERGY STAR® listed, reference database for current listings

Warranty

Five year limited warranty, consult website for details.
www.eaton.com/lighting/legal



RL6

**6-Inch All-Purpose LED Retrofit Module with SeleCCTable switch
DIRECT MOUNT
600 Lumen Series**

FOR USE IN INSULATED CEILING AND NON- INSULATED CEILING

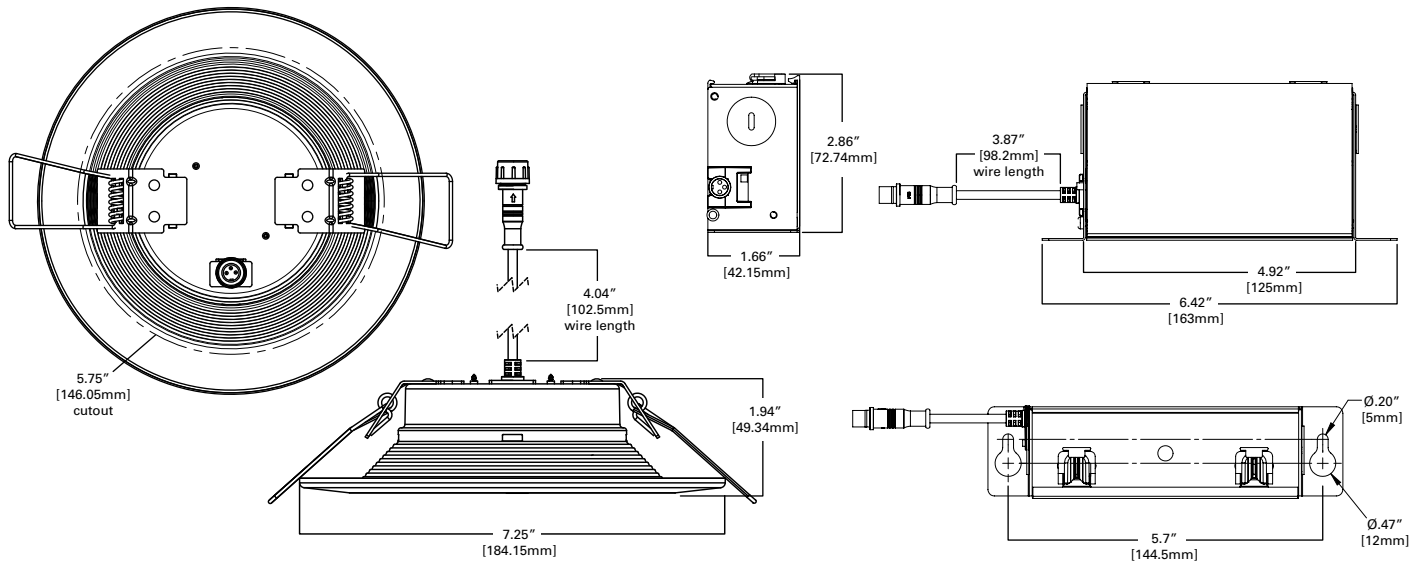
ENERGY DATA @ 3000K	
Lumens	600 Series
Input Voltage	120V
Input Current	74 (mA)
Input Power	8.7 (W)
Efficiency	82.8 (LPW)
Inrush (A)	2.1 (A)
THD: ≤ 20%	
PF: ≥ 0.90	
T Ambient -30 - +40°C	
Sound Rating ≤ 20dba	



Refer to ENERGY STAR® Certified Products List. Can be used to comply with California Title 24 High Efficacy requirements. Certified to California Appliance Efficiency Database under JA8.



DIMENSIONS



Ordering Information

SAMPLE NUMBER: RL6069S1EWHDM

A complete luminaire consists of an LED module and remote driver/junction box.

Models	Lumens	CRI/CCT	Driver	Finish	Mounting
RL6 = 6" all- purpose retrofit LED module	06 =600 lumens (nominal)	9S =90 CRI minimum, white tuning, selectable CCT 2700K-5000K	1E =120V 60Hz leading or trailing edge phase cut 5% dimming	WH =Matte white baffle	DM =Direct Mount

Product Specifications

PRODUCT SPECIFICATIONS

Lumens	719
Watts	8.7
Lumens Per Watt (Efficacy)	82.8
Color Accuracy (CRI)	92
Light Color (CCT) <small>Correlated Color Temperature (CCT)</small>	3000K

warm white
 soft white
 bright white

2700K
 3000K
 4500K
 6500K