

Item # 0000 000 000



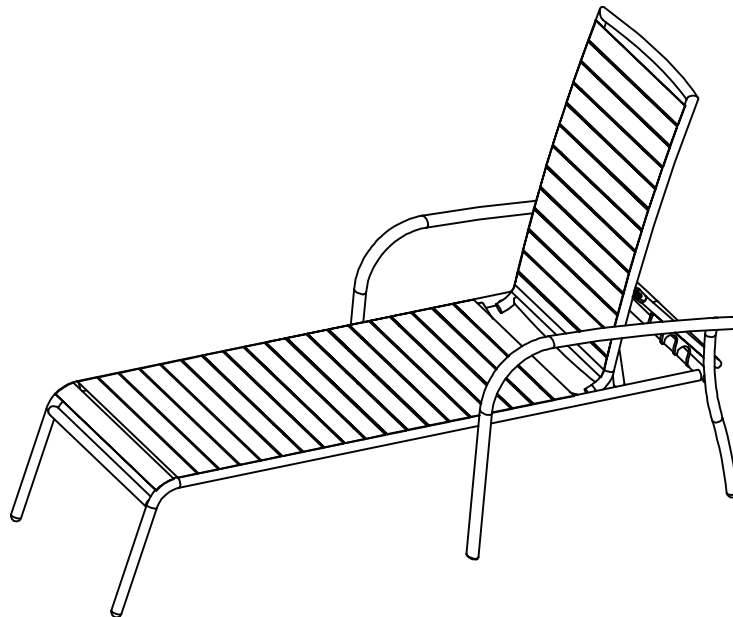
Model #191-A19-26H-CHS-4WH

Model #191-A19-26H-CHS-4BR

Model #191-A19-26H-CHS-4BL

USE AND CARE GUIDE

STERLING 4-PACK ALUMINUM PVC STRAP CHAISE LOUNGE



Questions, problems, missing parts? Before returning to the store,
call Hampton Bay Customer Service
8.00 a.m. - 7.00 p.m. EST, Monday - Friday,
9.00 a.m. - 6.00 p.m. EST, Saturday

1-855-HD-HAMPTON

HAMPTONBAY.COM

THANK YOU

We appreciate the trust and confidence you have placed in Hampton Bay through the purchase of this chaise lounge. We strive to continually create quality products designed to enhance your home. Visit us online to see our full line of products available for your home improvement needs. Thank you for choosing Hampton Bay!

Table of Contents

Table of Contents	2	Pre-Assembly.....	3
Important Safety Instructions	2	Planning Assembly	3
Warranty	2	Hardware Included.....	3
2 Year Frame Limited Warranty.....	2	Package Contents	4
What Is Covered	2	Assembly.....	5
What Is Not Covered	2		
Care & Cleaning	2		

Important Safety Instructions

READ ALL INSTRUCTIONS BEFORE USE

To reduce the risk of injury to persons:

1. Close supervision is necessary when this furnishing is used by or near children, or disabled persons, if applicable.
2. Use this furnishing only for its intended use as described in these instructions.
3. Do not move the chaise lounge chair when it is occupied.
Failure to obey this caution could result in injury.



WARNING: Keep your fingers clear while switching the positions of the chaise lounge back.



CAUTION: Use the chaise lounge on flat ground only.

Warranty

2 YEAR FRAME LIMITED WARRANTY

WHAT IS COVERED

We warrant the frame to be free of manufacturing defects to the original purchaser for two years.

WHAT IS NOT COVERED

It remains the customer's responsibility for freight and packaging charges to and from our service center. This warranty does not cover commercial use, hardware, acts of nature, fire, freezing and abusive use. In addition, purchased parts are not covered under this warranty. We reserve the right to make substitutions with similar merchandise, if the model in question is no longer in production.

Care & Cleaning

Before using, wipe with a clean, dry cloth. Do not use bleach or solvents. Treat the frame with liquid wax for maximum protection against UV light and salty, damp air. When not in use, store the furniture in a cool, dry place.

You may contact our customer service department with any questions by phone at 1-855-HD-HAMPTON or visit www.hamptonbay.com.

Pre-Assembly

PLANNING ASSEMBLY

It will take two people about 10 minutes to complete the assembly process.

HARDWARE INCLUDED



NOTE: Hardware not shown to actual size.



AA



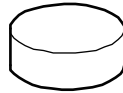
BB



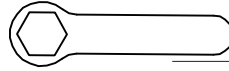
CC



DD



EE



FF

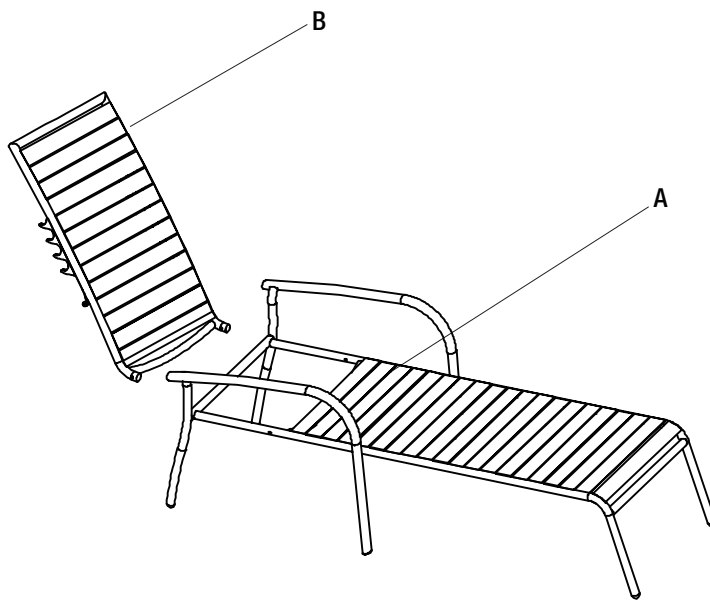


GG

Part	Description	Quantity
AA	Bolt (M6x70)	8
BB	Washer (M6)	8
CC	Plastic washer (M6)	8
DD	Nut (M6)	8
EE	Bolt cap	8
FF	Wrench	1
GG	Hex wrench	1

Pre-Assembly (continued)

PACKAGE CONTENTS

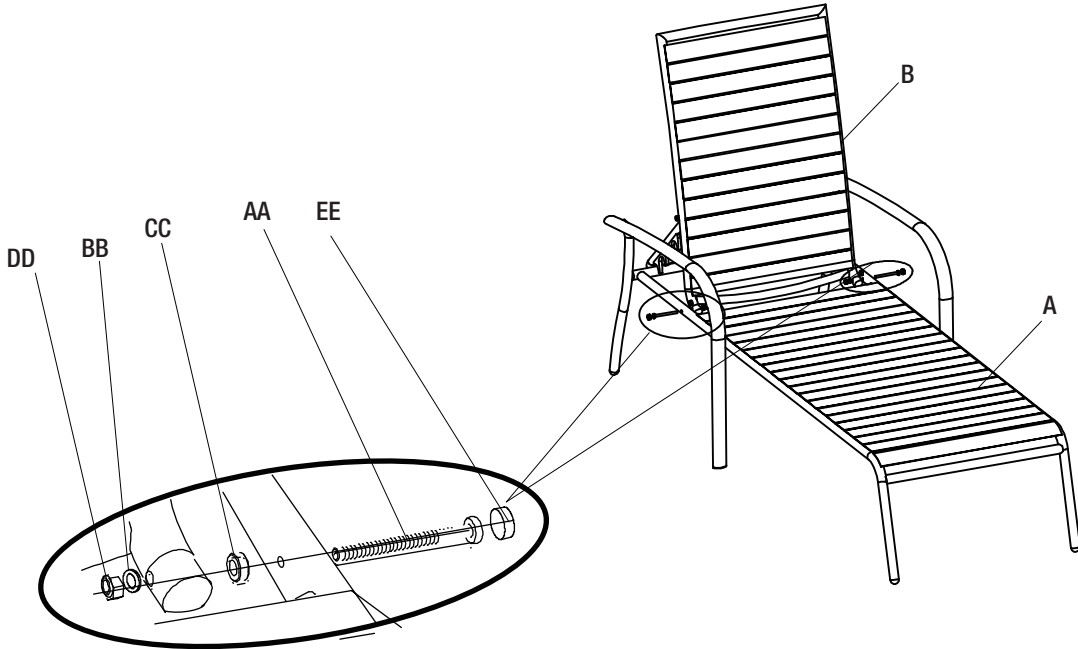


Part	Description	Quantity
A	Back panel	4
B	Seat	4

Assembly

1 Attaching the back panel

- Place the seat (A) of the chaise lounge on a flat, smooth surface. Align the back panel (B) to the seat.
- Attach the back panel (B) to the seat (A) with bolts (AA), plastic washers (CC), washers (BB) and nuts (DD) using wrenches (FF) and (GG).
- Repeat the above procedure for the other chaise lounges.



2 Fixing the back panel before use



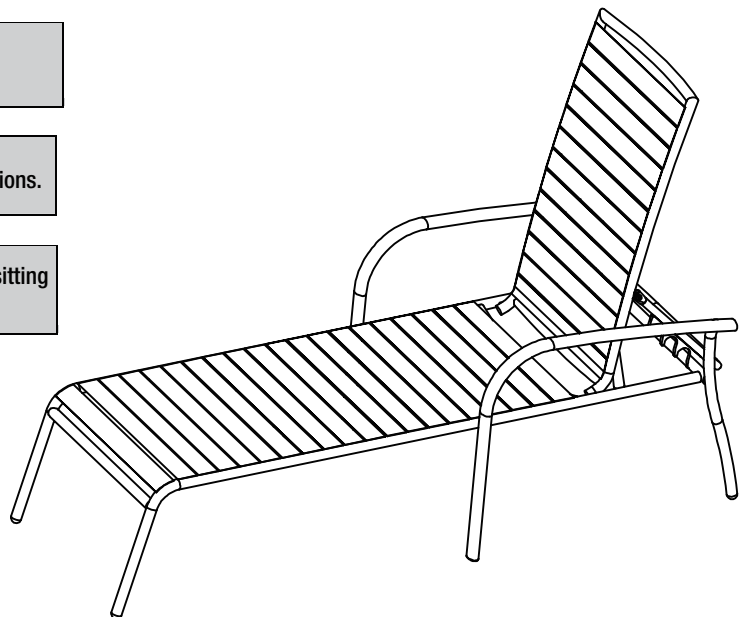
IMPORTANT:
Before using the chaise lounge the back panel must be firmly locked in place .



NOTE: You can lock the chaise back in four different positions.



WARNING: Never try to adjust the chaise back while sitting in the chaise.





Questions, problems, missing parts? Before returning to the store,
call Hampton Bay Customer Service
8.00 a.m. - 7.00 p.m. EST, Monday - Friday,
9.00 a.m. - 6.00 p.m. EST, Saturday

1-855-HD-HAMPTON

HAMPTONBAY.COM

Retain this manual for future use.