



Buy it for looks. Buy it for life.®

DESCRIPTION

- Metal construction with various finishes identified by suffix
- Pressure balancing cycle valve design with an adjustable temperature limit stop
- 1/2" IPS connections
- Includes showerhead, arm, and flange, tub spout

OPERATION

- Lever style handle
- Handle operates counterclockwise through a 270° arc with off at 6 o'clock and maximum hot at the 9 o'clock position. Shut off in clockwise direction
- Adjustable temperature limit stop to control maximum hot water temperature
- Pressure balancing mechanism maintains selected discharge temperature to ± 2°

FLOW

- Showerhead is limited to 2.0 gpm (7.6 L/min), 1.5 gpm (5.7 L/min) at 45 psi

CARTRIDGE

- 1222 cartridge design
- Nonmetallic/nonferrous and stainless steel materials
- Accommodates back to back installations

STANDARDS

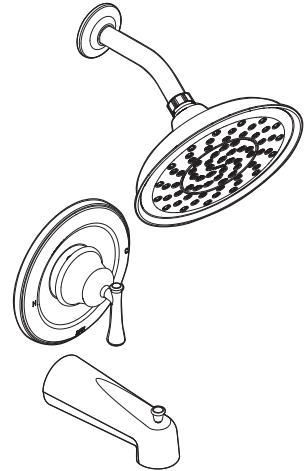
- Third party certified to ASME A112.18.1/CSA B-125.1 and all applicable requirements referenced therein
- Meets WaterSense criteria
- Meets New York City Local Law No. 57

- **ADA** for lever handles

WARRANTY

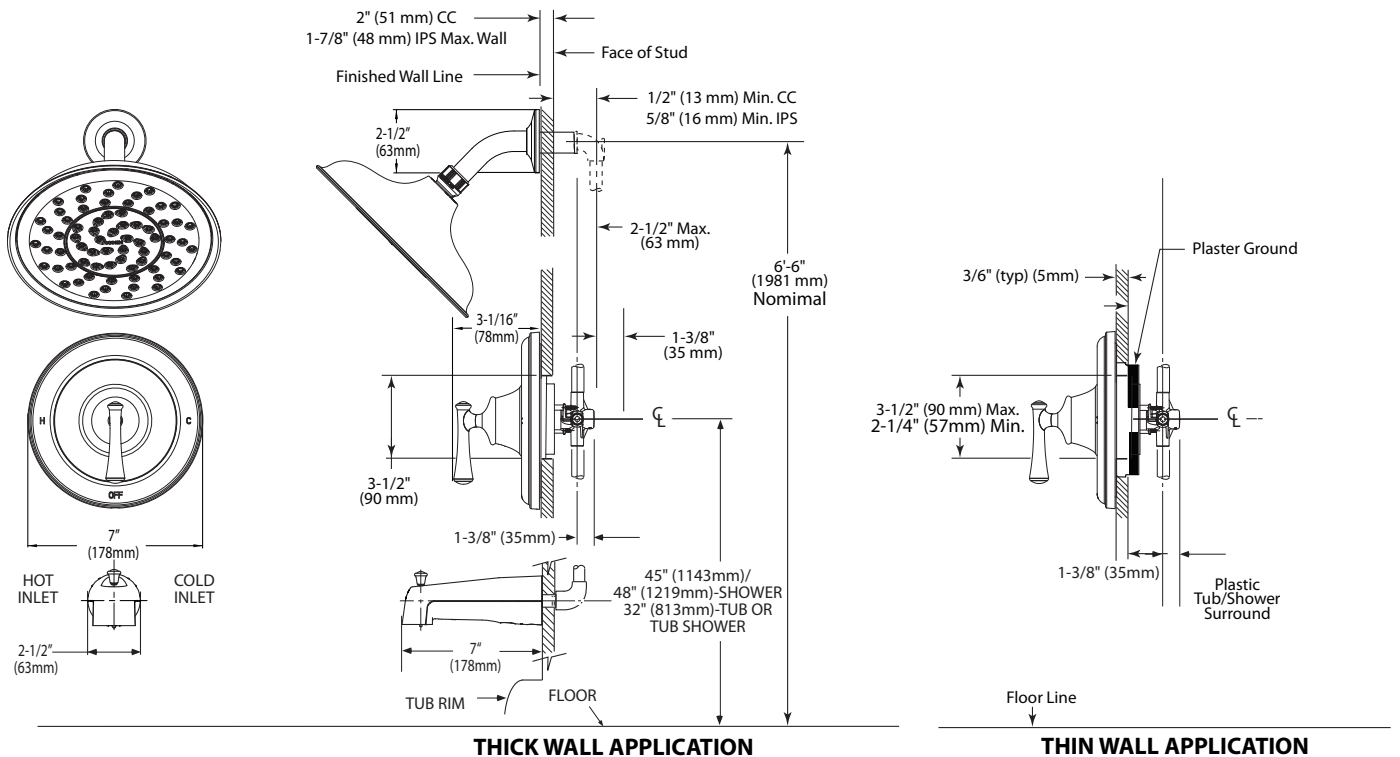
- Lifetime limited warranty against leaks, drips and finish defects to the original consumer purchaser
- 5 year warranty if used in commercial installations

Specifications



ASHVILLE™
Single-Handle/Tub Shower

Models: 82877 series



CRITICAL DIMENSIONS

(DO NOT SCALE)

FOR MORE INFORMATION CALL: 1-800-BUY-MOEN

www.moen.com

Technical Specification

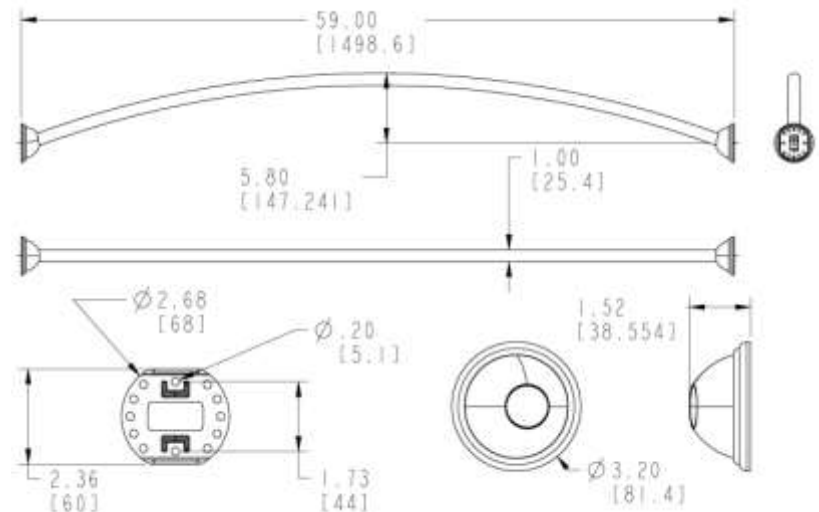
Decorative Curved Shower Rod

CSR2165

Stock Numbers:

- ❑ **CSR2165BN – 5' Decorative Curved Shower Rod**
Brushed Nickel Finish
1" Diameter Rod
Retail Packaging
- ❑ **CSR2165CH – 5' Decorative Curved Shower Rod**
Chrome Finish
1" Diameter Rod
Retail Packaging
- ❑ **CSR2165OWB – 5' Decorative Curved Shower Rod**
Old World Bronze Finish
1" Diameter Rod
Retail Packaging

Dimensions:



Materials:

Brushed Nickel and Chrome Curved Shower Rods are made of .028 (22 gauge) seamless type 304 stainless steel. **Old World Bronze Curved Shower Rods** are made of .028 (22 gauge) seamless type 430 stainless steel. **Brushed Nickel and Chrome Flanges** are stamped from .020 type 304 stainless steel. **Old World Bronze Flanges** are stamped from type 443 stainless steel.

Stock Number: _____ Curved Shower Rod
By Creative Specialties