

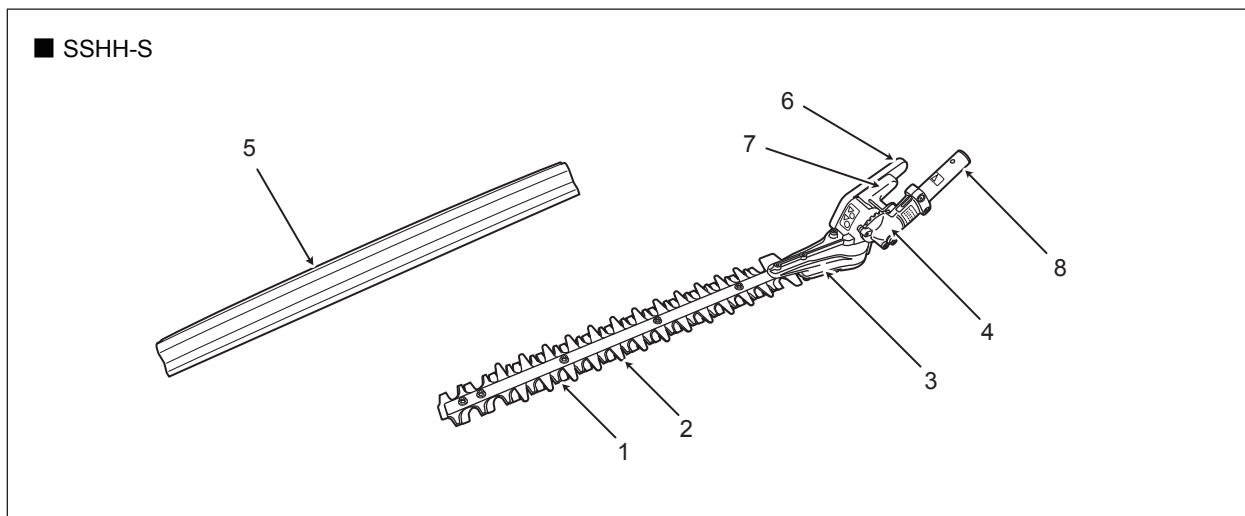
2. Outline

2.1 Name of Parts and Their Functions

The hedge trimmer is a device with the attachment installed to the powerhead (separately sold). The following is the structure of the attachment and name and function of each part.

►► Note

- There is one type of powerhead. For details about the powerhead, refer to the powerhead manual.



No.	Name	Description
1	Trimmer blade	A steel blade to cut the hedges or low trees.
2	Cutter guard	A guard to protect hands and legs from trimmer blade.
3	Transmission case	It converts the rotation of the gear case into the trimmer blade oscillation.
4	Gear case	It transmits the rotation of the drive shaft to the transmission case.
5	Trimmer blade guard	A guard to cover the trimmer blade when the hedge trimmer is not used.
6	Adjustment lever	A lever to adjust the angle of the trimmer blade appropriately.(Gray)
7	Lock lever	A lever to lock the trimmer blade to a necessary position.(Yellow)
8	Shaft tube	Mainframe with a built-in drive shaft.

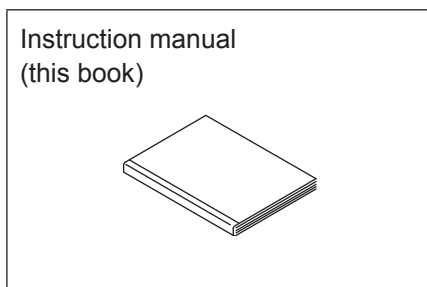
2.2 Specification

■ Standard Specification

Item	Specification
Model	SSHH-S (short shaft)
Attachment weight	SSHH-S: 4.8 lb (2.2 kg)
Dimension (L x W x H)	Short shaft: 35.2 x 4.9 x 4.9 in
Weight	Short shaft: 4.8 lbs (2.2 kg)
Shaft length	Short shaft: 5.3 in (135 mm)
Cutter type	Double-sided, Double-reciprocating
Blade length	21.6 in (550 mm)
Articulation angle increment	18 deg.
Total articulation range	Short shaft: 108 deg. (-54 to +54)

2.3 Attached Material

The following are attached materials. For the powerhead, refer to the powerhead manual.

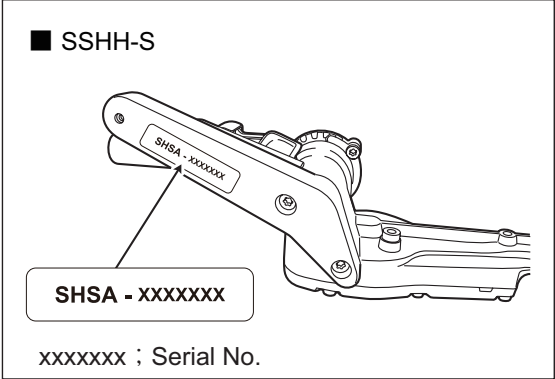


2.4 Position of Model and Serial No.

Check the model code of your attachment on the nameplate attached to the machine shaft.
 Record serial No. (See "9. Servicing"). You will need this model code and serial No. when ordering parts, and when making technical or warranty inquiries.

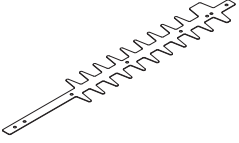
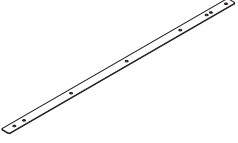
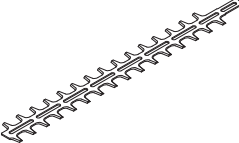

▶▶Note

- The model code is 4 letters.
 The model code is different from the model name.



2.5 Replaceable Items

The following are some common replaceable items for this attachment.
 Contact your servicing dealer for replacement parts.

<p>Cutter guard</p> 	<p>Guide</p> 	<p>Trimmer blade</p> 	<p>Slider</p> 
<p>Cap</p> 