



PS 7576



Commercial Grade Swing Hangers

- Soportes para columpios de calidad comercial
- Lifetime Warranty!
 - Superior-Strength Design for Residential Use
 - Garantía para toda la vida!
 - Diseño de resistencia superior para uso doméstico

Commercial Grade Swing Hangers

Bronze bushing is self-lubricating for a smooth, effortless ride.

Soportes para columpios de calidad comercial

El cojinete de bronce cuenta con un sistema de lubricación propia para un funcionamiento suave y sin esfuerzos.

Tools Required: Drill, 1/4" drill bit, socket wrench, 9/16" socket

Important! This product is intended for use only on properly installed PlayStar playsets. Before using this component refer to the complete safety guidelines provided with your original playset. To obtain a free copy visit www.playstarinc.com or call 1-888-752-9782. For residential use by children ages 2 to 10. Adult supervision is recommended for children of all ages. Specifications subject to change without notice.

Herramientas necesarias: Taladro, broca 1/4", llave de tubo, casquillo 9/16"

¡Importante! Este producto está diseñado para usarse sólo en conjuntos de juego PlayStar correctamente instalados. Antes de usar este componente consulte las normas completas de seguridad que se proporcionan con el conjunto de juego original. Para obtener una copia gratuita visite la página www.playstarinc.com o llame al 1-888-752-9782. Uso residencial, niños de 2 a 10 años. Se recomienda la supervisión de un adulto para niños de todas las edades. Las especificaciones están sujetas a cambios sin previo aviso.

Commercial Grade Swing Hangers PS 7576



Weather Resistant Hardware

Piezas de montaje resistentes a la intemperie

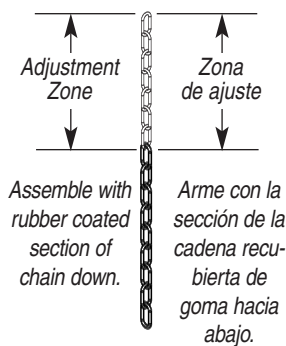
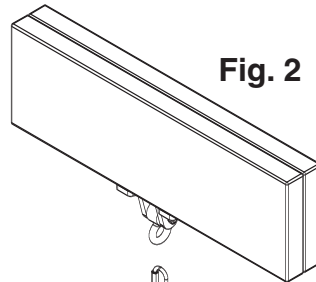
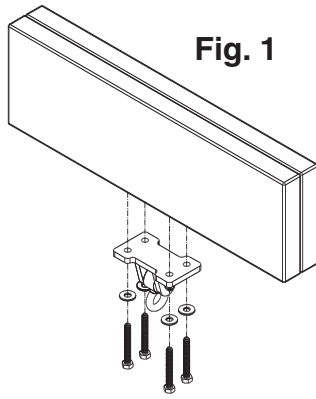
Mounting Instructions

1. Using the Building Instruction for your Play Action Kit, determine the location for the swing hangers.
2. If replacing existing swing hangers, position the Commercial Grade Swing Hanger so the center of new hanger is in the same position as the center of the old swing hanger.

Note: See spacing requirements for component being used to determine hanger location.

3. With the Commercial Grade Swing Hanger in position, using a 1/4" drill bit and the hanger as a guide, drill all four holes 2 1/2" deep. **(Fig. 1)**
4. Secure with a 3/8" x 3" lag screw with washer for each hole. **(Fig. 1)**
5. Attach component to Commercial Grade Swing Hanger using Quick-Link Connectors. Tighten securely with an adjustable wrench. **(Fig. 2)**
6. Customize the height of your component, anywhere in the *Adjustment Zone*, to fit your child.

Caution: Failure to tighten Quick Links securely could result in injury.




Instrucciones de montaje:

1. Utilice las Instrucciones de construcción del Equipo Play Action para determinar dónde colocar los soportes para columpios.
2. Si intenta reemplazar soportes para columpios existentes, coloque el Soporte para columpio de calidad comercial de manera tal que el centro del soporte nuevo se encuentre en la misma posición que el centro del soporte viejo.

Nota: Vea los requerimientos de espaciado correspondientes a los accesorios utilizados para determinar dónde colocar el soporte.

3. Una vez que el Soporte para columpio de calidad comercial se encuentre en posición, con una broca de 1/4" y el soporte como guía, taladre los cuatro orificios a una profundidad de 2 1/2". **(Fig. 1)**
4. Afirme con un tirafondo de 3/8" x 3" con arandela para cada orificio. **(Fig. 1)**
5. Fije el componente al Soporte para columpio de calidad comercial utilizando Conectores rápidos de eslabones. Ajuste de manera segura con una llave inglesa ajustable. **(Fig. 2)**
6. Adapte la altura del componente, en cualquiera de las posiciones dentro de la *Zona de ajuste*, para su hijo.

Precaución: Si no se fijan los Eslabones rápidos de manera segura se pueden ocasionar lesiones.



STATEMENT OF WARRANTY

COMMERCIAL GRADE LIFETIME WARRANTY

The PlayStar Lifetime Warranty guarantees these goods to be free from defects in material and workmanship under normal and proper usage and is limited to the original owner.

No warranty is offered on goods subject to normal wear and tear, unreasonable use, abuse, improper installation or maintenance, vandalism, alterations or modifications, acts of God, cosmetic issues including rust, scratches and discoloration, or product not used as intended or designed.

PlayStar, Inc. reserves the right to examine photographs, physical merchandise claimed to be defective, and to recover said merchandise, freight prepaid by purchaser, prior to disposition of warranty claims.

PlayStar, Incorporated, P.O. Box 1777, Janesville, WI 53547

PlayStar's sole liability under this warranty is strictly limited to the repair or replacement of any defective product. In no event shall PlayStar's liability under this warranty exceed the actual cost of materials necessary for repair or replacement of the product covered, whichever is less. PlayStar shall not be liable for incidental, indirect, or consequential damages caused by its products.

This warranty is in lieu of all other warranties, whether express or implied, including any warranties of merchantability or fitness for a particular purpose. This warranty gives you specific legal rights. You may have other rights that vary from state to state.

CG Swing Hanger PS 7576 – Purchase Date: _____



Warranty Registration
CG Swing Hanger PS 7576

Name _____

Address _____

City _____

State _____ Zip _____

Phone _____

Date _____

Mail to:
PlayStar, Incorporated, PO Box 1777, Janesville, WI 53547

Registering your warranty:
Please fill out the Warranty Registration card on the left. Then cut it out and mail to:
PlayStar, Incorporated
PO Box 1777
Janesville, WI 53547

Toll Free 1-888-PLAYSTAR
(752-9782)

Monday through Friday
8:00 A.M. to 5:00 P.M. C.S.T.

We Will Gladly Help!

Cómo registrar su garantía:
Sírvese completar la tarjeta de Registro de la Garantía que aparece a la izquierda. Luego recórtela y envíela por correo a:
PlayStar, Incorporated
PO Box 1777
Janesville, WI 53547

Llame gratuitamente al 1-888-PLAYSTAR
(752-9782)

De lunes a viernes
de 8:00 AM a 5:00 PM. C.S.T.
(Hora Central de EE.UU.)

¡Lo ayudaremos con placer!