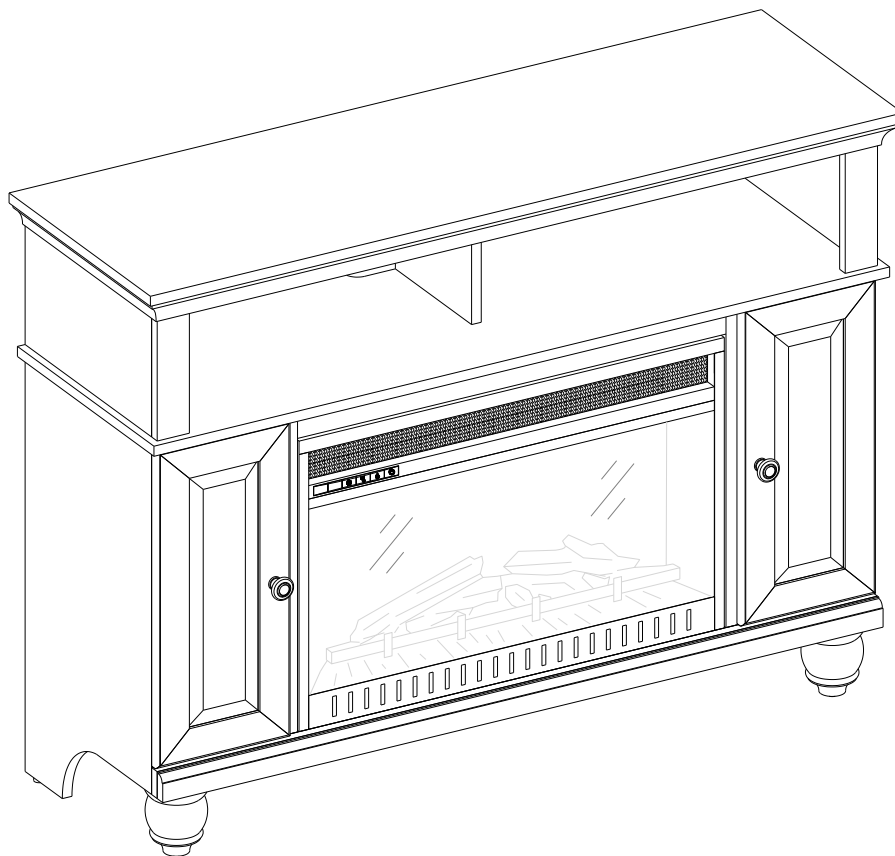


ASSEMBLY INSTRUCTIONS

Ashurst 46 inch Media Console Infrared Electric Fireplace in Walnut Finish



Questions, problems, missing parts? Before returning to the store,
call Home Decorators Collection Customer Service
8 a.m. - 6 p.m., EST, Monday-Friday

1-800-986-3460

HOMEDEPOT.COM/HOMEDECORATORS

THANK YOU

We appreciate the trust and confidence you have placed in Home Decorators Collection through the purchase of this fireplace console. We strive to continually create quality products designed to enhance your home. Visit us online to see our full line of products available for your home improvement needs. Thank you for choosing Home Decorators Collection!

Table of Contents

Table of Contents	2
Safety Information.....	2
Warranty	2
Pre-Assembly	2
Planning Assembly	2
Tools required.....	2

Hardware Included	3
Package Contents	3
Assembly	4
Care and Maintenance.....	17

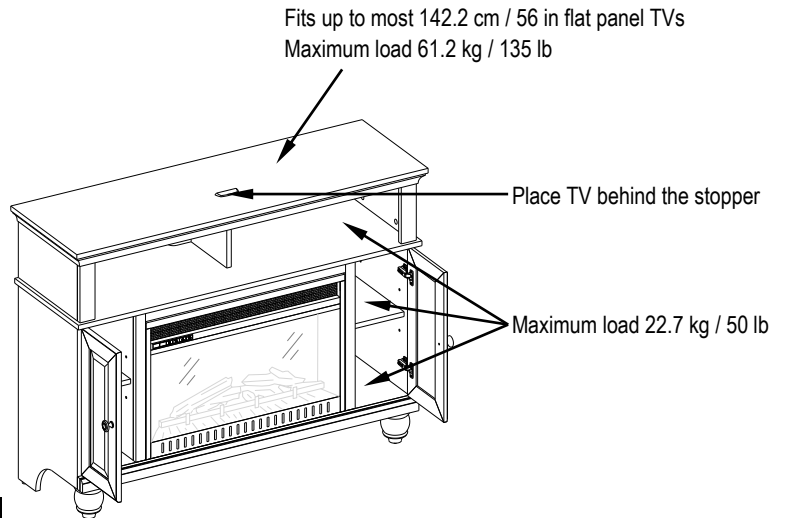
Safety Information

Please read and understand these instructions before assembling and using this console. Save these instructions for future reference.

MAXIMUM RECOMMENDED WEIGHT LOADS



WARNING: This unit is not intended for use with CRT TVs. Use only with flat panel TVs and audio/video equipment meeting recommended size and weight limits. Never use with larger/heavier than recommended flat panel TVs or equipment. To avoid instability, place flat panel TV in the centre of the unit; the base of the television must be able to rest on the supporting surface of the unit without over-hanging the edges. Improperly positioned flat panel TVs, or flat panel TVs or other equipment that exceed recommended size and weight limits could fall off or break the unit, causing possible serious injury.



Warranty

We are confident that you will be delighted with this purchase. Should this product be defective in workmanship or materials, or fail under normal use, we will repair or replace it for a period of up to one (1) year from date of purchase.

This warranty gives you specific rights and you may also have other rights which vary from state to state.

Contact the Customer Service Team at 1-800-986-3460 or visit www.HomeDepot.com/homedecorators.

Pre-Assembly

PLANNING ASSEMBLY

Compare all parts with the Hardware Included and Package Contents list. If any part appears missing or damaged, do not assemble this product and contact the Customer Service Team at 1-800-986-3460.

TOOLS REQUIRED



Phillips screwdriver (not provided)



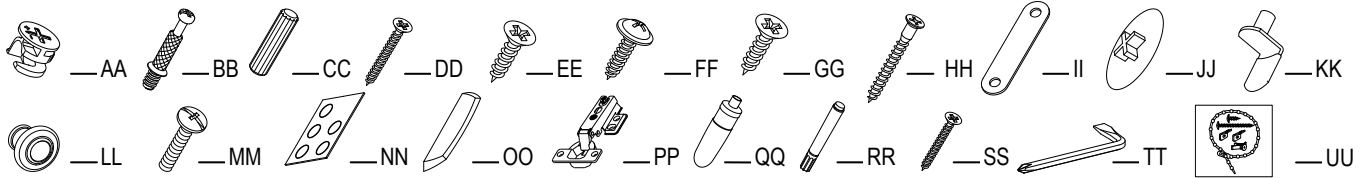
Phillips head L-Key (provided)

Pre-Assembly (continued)

HARDWARE INCLUDED



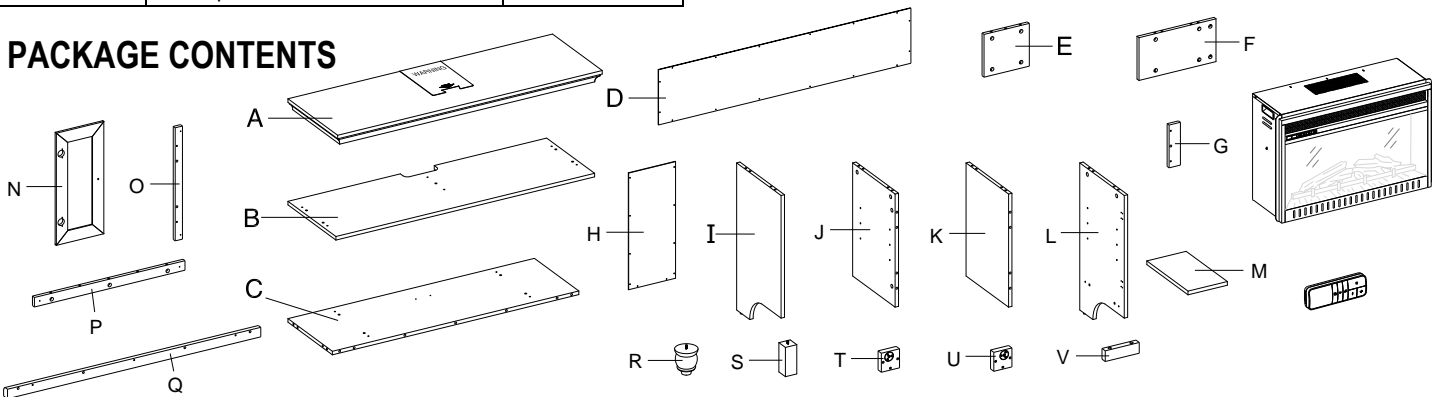
NOTE: Hardware not shown to actual size.



Part	Description	Quantity
AA	Cam lock	38 + 1 extra
BB	Cam bolt	38 + 1 extra
CC	Wood dowel	42 + 2 extra
DD	Long screw	4 + 1 extra
EE	Black screw	4 + 1 extra
FF	Washer head screw	36 + 1 extra
GG	Zinc screw	24 + 1 extra
HH	Large screw	2 + 1 extra
II	Metal bracket	2
JJ	Cam lock cover	28 + 1 extra
KK	Shelf pin	8 + 1 extra

Part	Description	Quantity
LL	Knob	2
MM	Knob bolt	2
NN	Rubber bumper	4 + 1 extra
OO	Acrylic stopper	1
PP	Hinge	4
QQ	Glue	1
RR	Touch-up pen	1
SS	Short screw	6 + 1 extra
TT	Phillips head L-Key	1
UU	Tipping restraint hardware kit	2

PACKAGE CONTENTS



Part	Description	Quantity
A	Top panel	1
B	Center shelf	1
C	Bottom panel	1
D	Upper back panel	1
E	Upper partition panel	1
F	Upper side panel	2
G	Upper side panel molding	2
H	Lower back panel	2
I	Left lower side panel	1
J	Left lower partition panel	1
K	Right lower partition panel	1
L	Right lower side panel	1

Part	Description	Quantity
M	Adjustable shelf	2
N	Door	2
O	Lower partition panel molding	2
P	Middle crossbar	1
Q	Bottom panel molding	1
R	Bun Foot	2
S	Center support	1
T	Left foot support	1
U	Right foot support	1
V	Firebox support	1
	Fireplace insert	1
	Remote control with battery	1

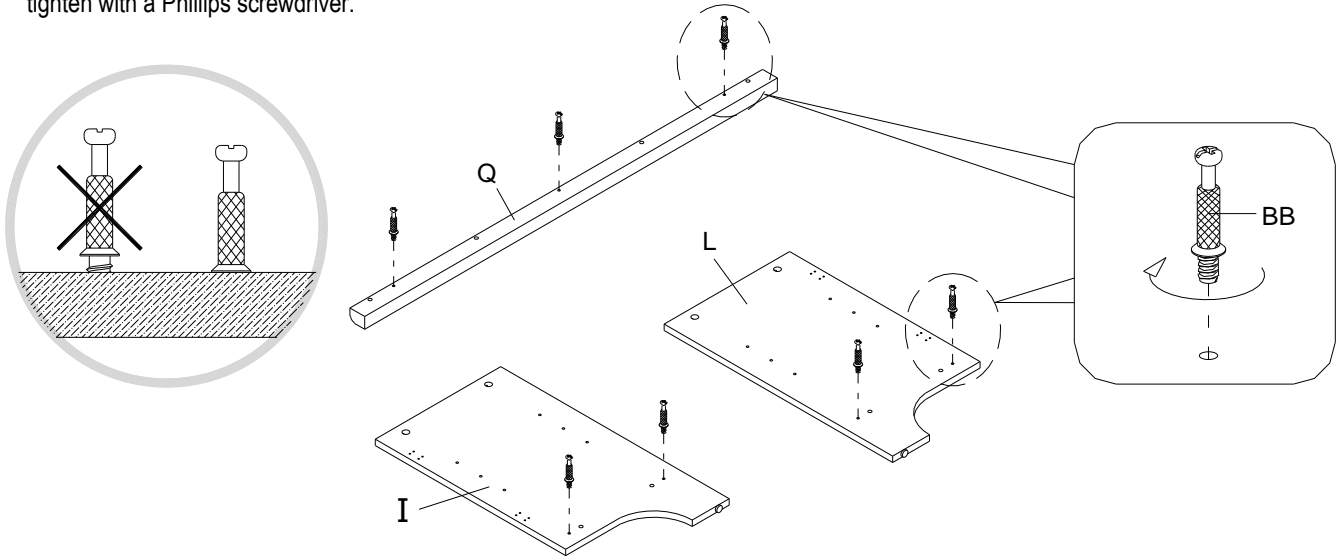
Assembly

1 Attaching the cam bolts



NOTE: Do not fully tighten all bolts until you finish assembling all parts. Once assembled, go back and fully tighten all bolts. This will make the assembly easier.

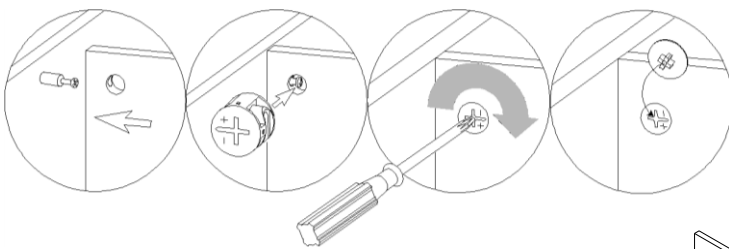
- Unpack the unit and confirm that you have all the hardware and required parts. Assemble the unit on a carpeted floor or the empty carton to avoid any scratch.
- Securely screw seven cam bolts (BB) into the designated small holes on the lower side panels (I and L) and bottom panel molding (Q). Fully tighten with a Phillips screwdriver.



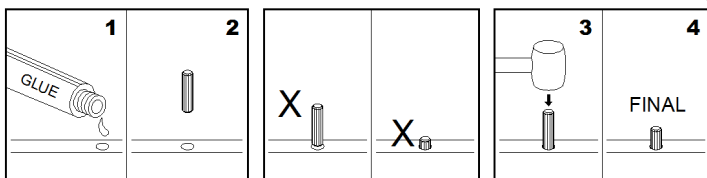
2 Attaching the bottom panel

- Insert four wood dowels (CC) into the inner holes of bottom panel (C) at both ends and attach it between the lower side panels (I and L) by using four cam locks (AA), as shown.

The cam lock assembling guide

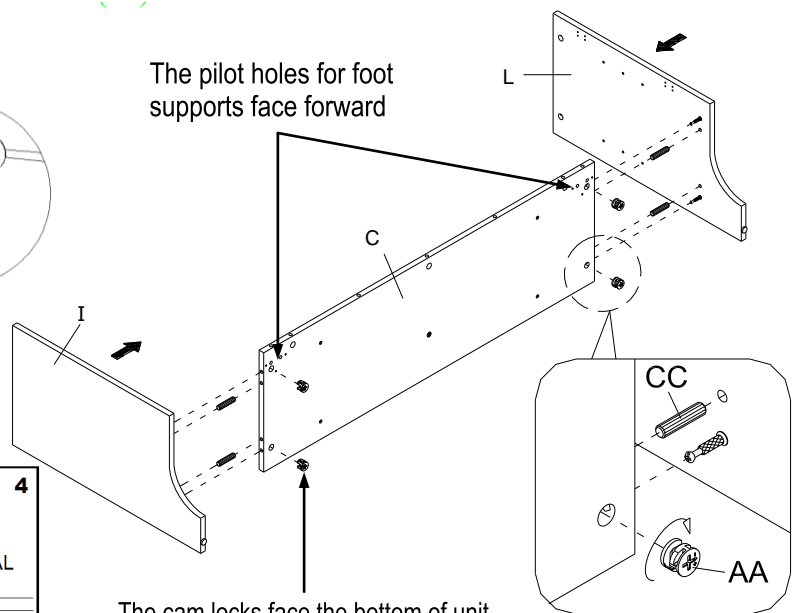


The dowel assembling guide



The pilot holes for foot supports face forward

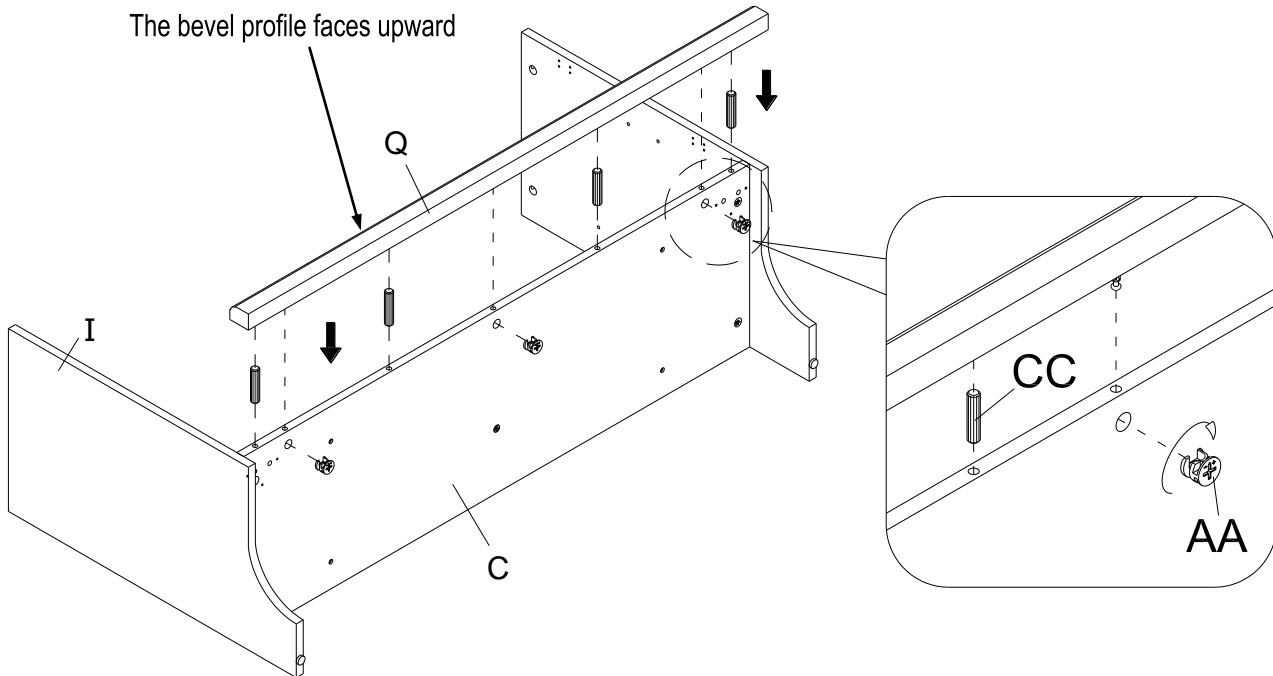
The cam locks face the bottom of unit



Assembly (continued)

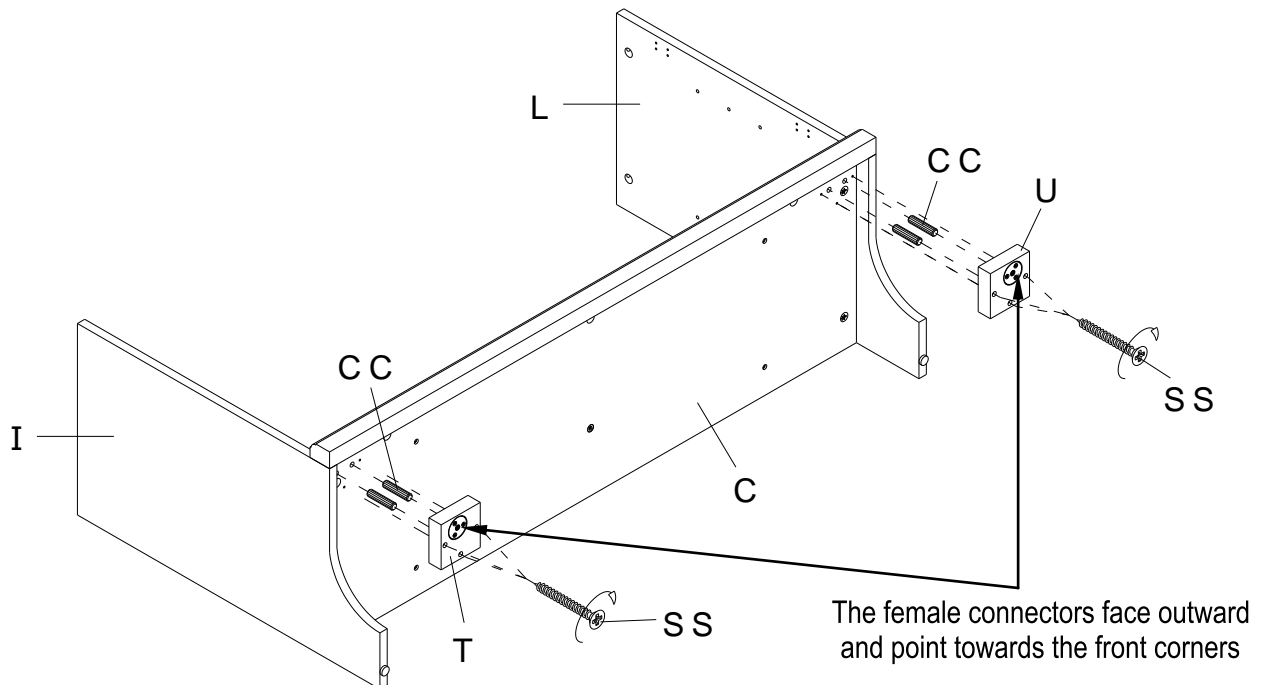
3 Attaching the bottom panel molding

- Align and attach the bottom panel molding (Q) to the bottom panel (C) by using four wood dowels (CC) and three cam locks (AA).



4 Attaching the foot support

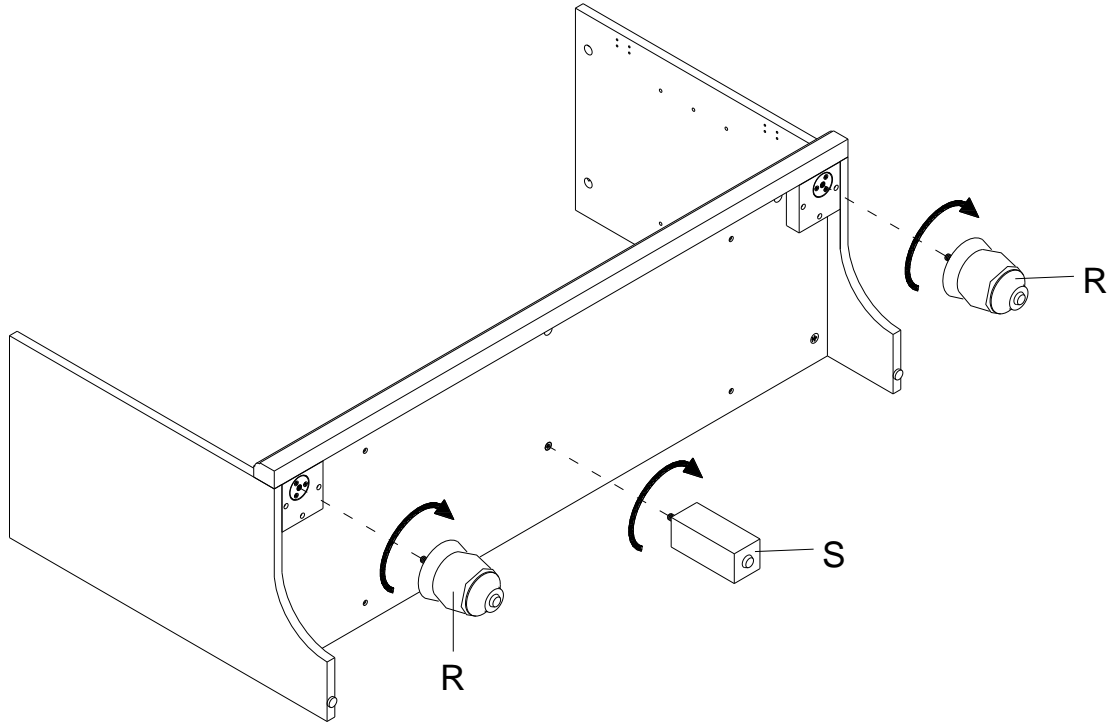
- Align and attach the foot supports (T and U) to the bottom panel (C) with two wood dowels (CC) and three short screws (SS) in each, using the pilot holes as a guide.



Assembly (continued)

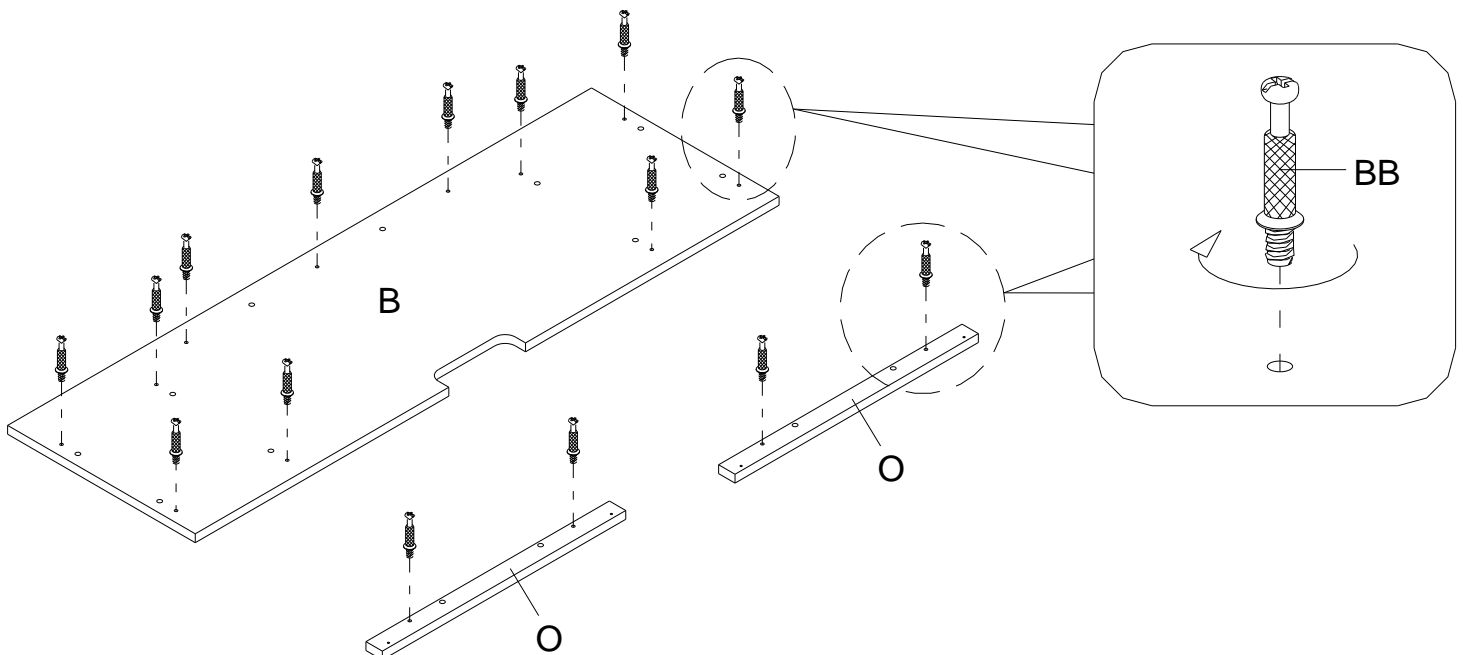
5 Installing the center support and bun-feet

- Tightly screw the center support (S) into the threaded insert on the bottom panel (C).
- Screw two bun feet (R) into the female connectors on the foot supports (T and U).



6 Attaching the cam bolts

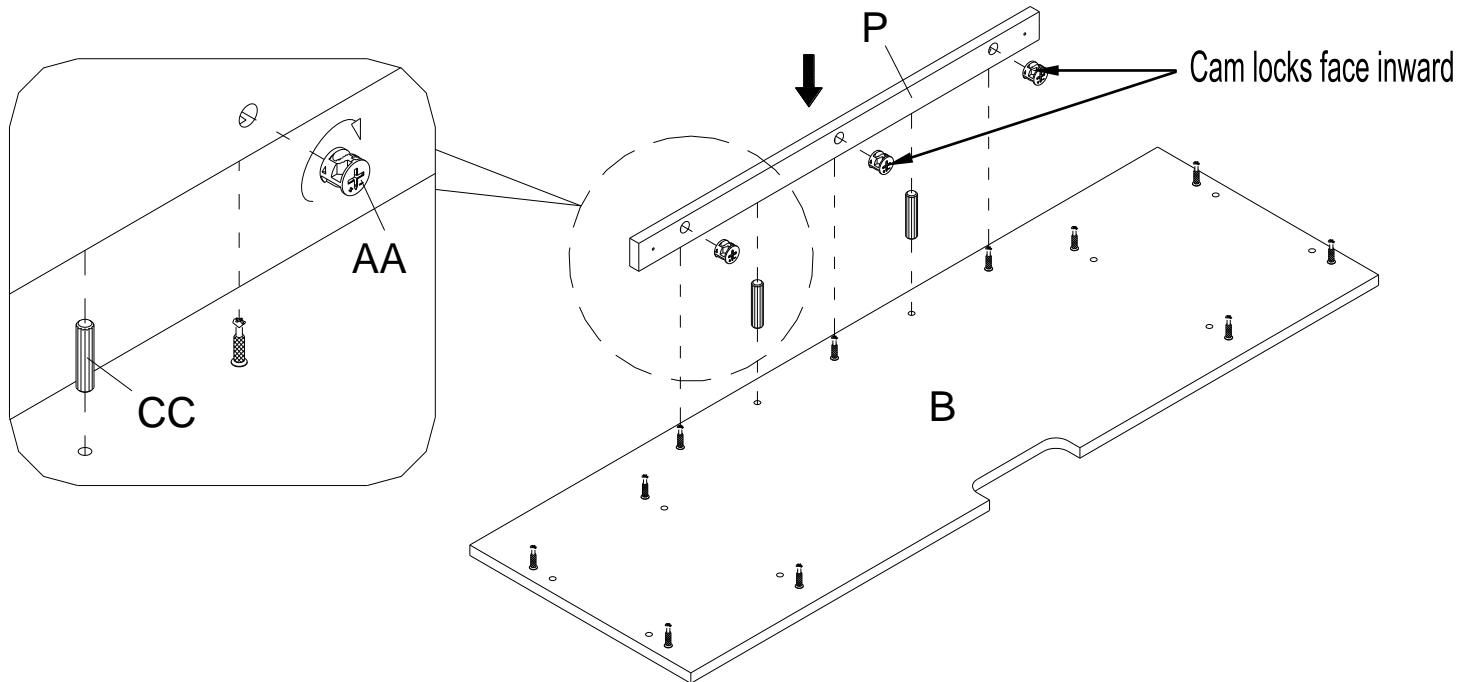
- Securely screw the cam bolts (BB) into the designated small holes on the center shelf (B) and the lower partition panel moldings (O). Fully tighten with a Phillips screwdriver.



Assembly (continued)

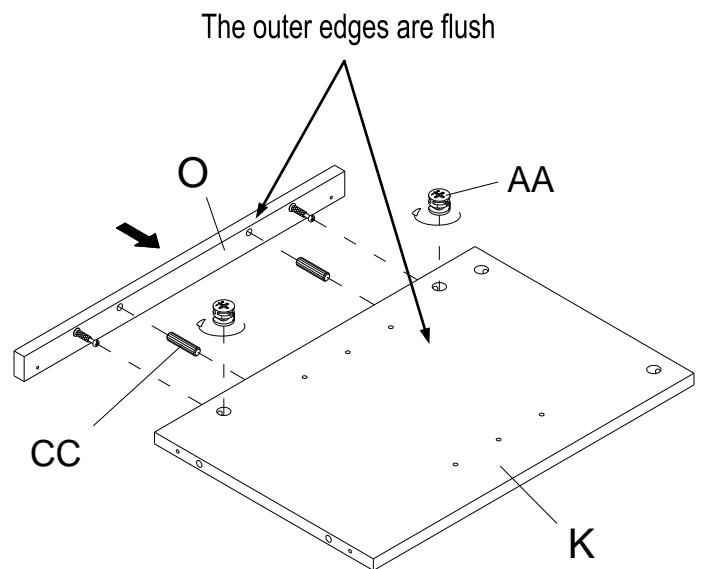
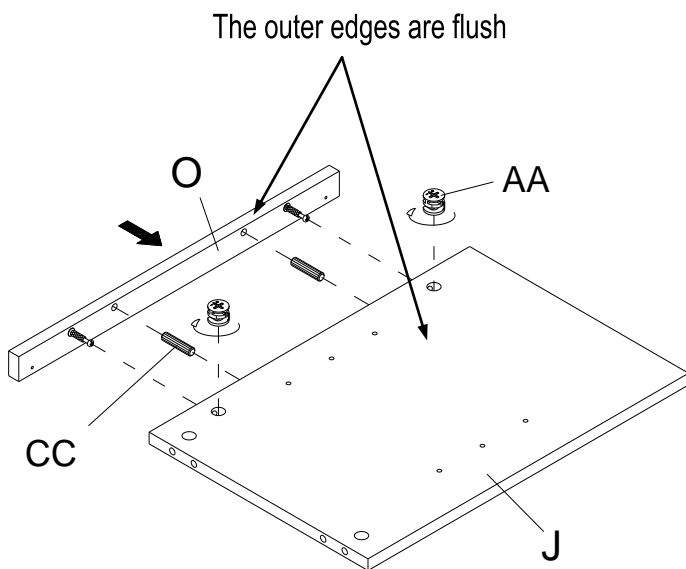
7 Attaching the middle crossbar

- Align and attach the middle crossbar (P) to the center shelf (B) by using two wood dowels (CC) and three cam locks (AA).



8 Attaching the partition panel molding

- Fasten one lower partition panel molding (O) to the left lower partition panel (J) using two wood dowels (CC) and two cam locks (AA).
- Repeat the same procedure to combine the other lower partition panel molding (O) and right lower partition panel (K) together.

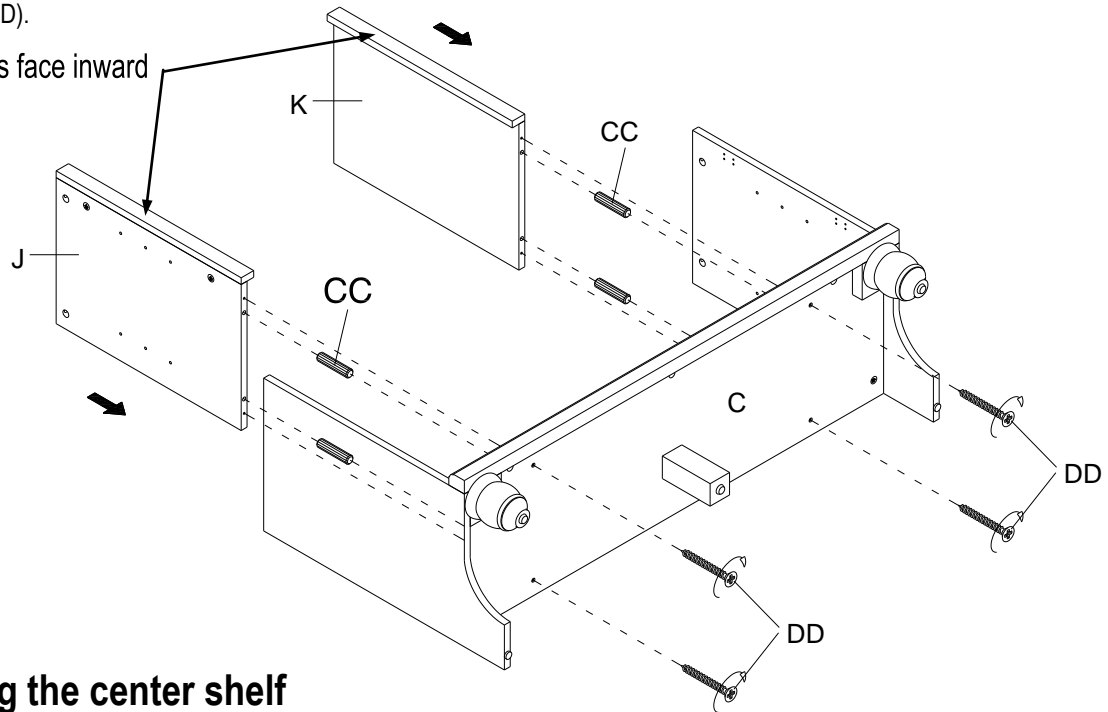


Assembly (continued)

9 Attaching the lower partition panels

- Insert four wood dowels (CC) into the inner holes of both lower partition panels (J and K) and attach them to the bottom panel (C) by using four long screws (DD).

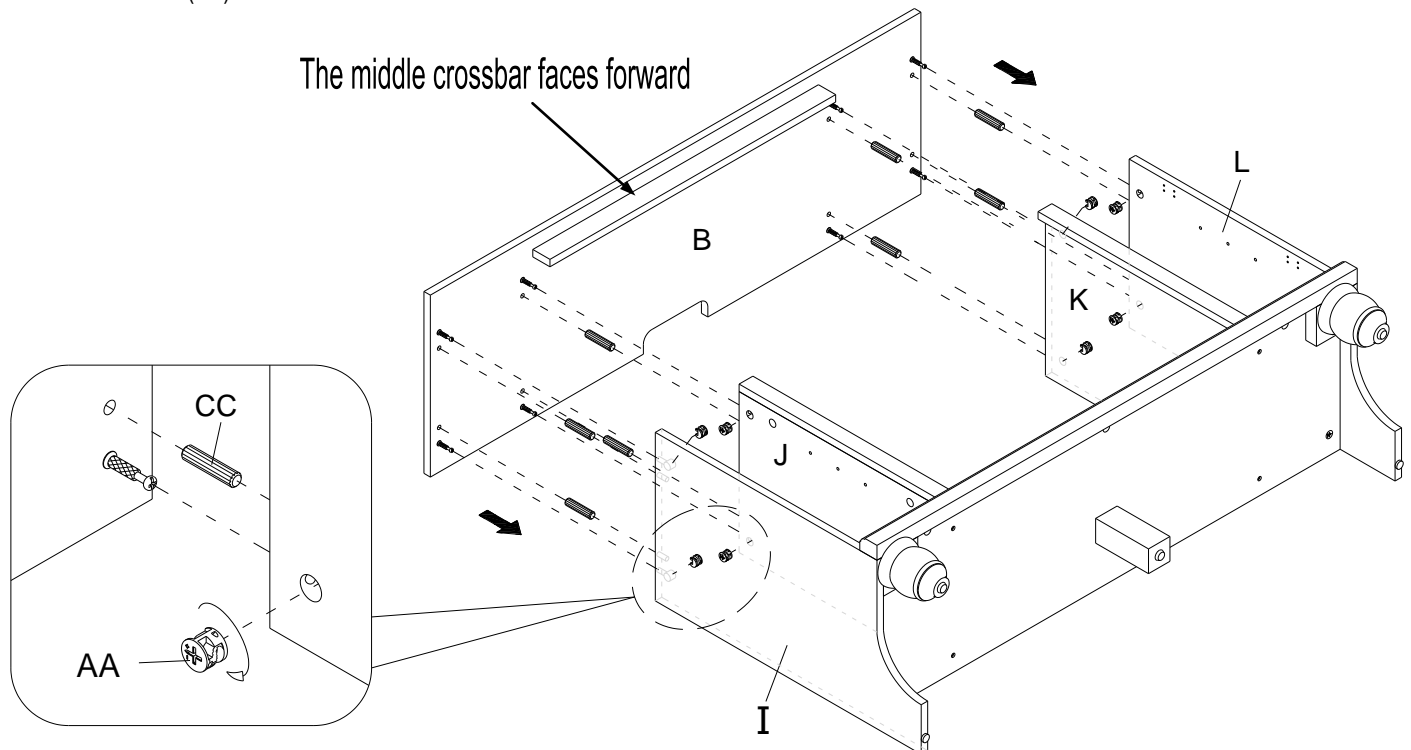
The moldings face inward



10 Attaching the center shelf

- Insert eight wood dowels (CC) into the top inner holes of the lower side panels and lower partition panels (I, J, K and L).
- Ask for assistance to position the center shelf (B) onto the inserted wood dowels (CC). Attach the center shelf (B) in place by engaging eight cam locks (AA).

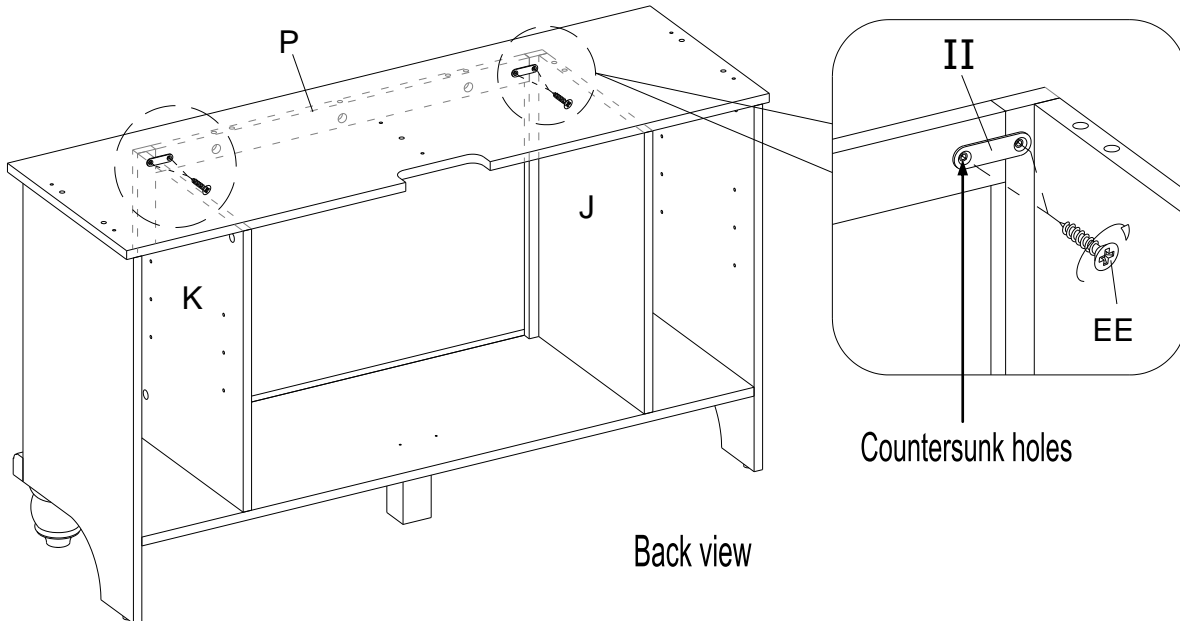
The middle crossbar faces forward



Assembly (continued)

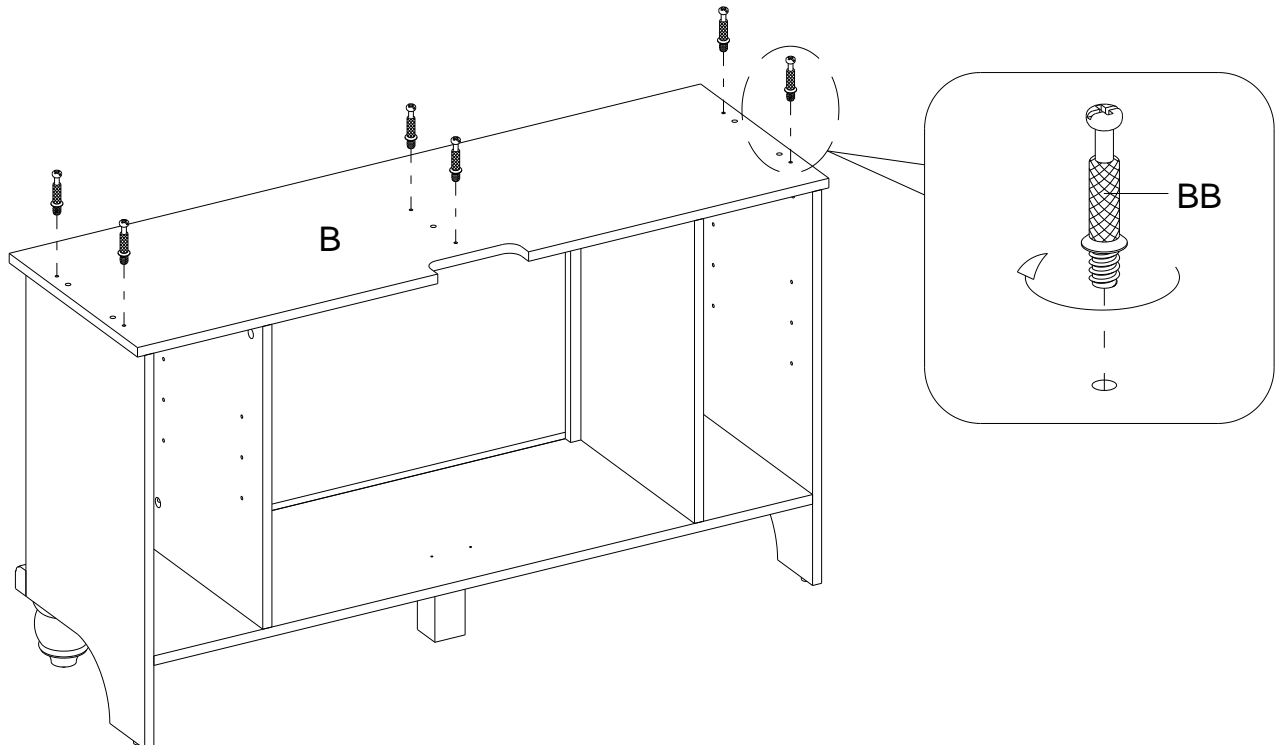
11 Fastening the middle crossbar

- Stand the assembled unit upright.
- Fasten the middle crossbar (P) to both partition panel moldings (O) by attaching two metal brackets (II) at the joints, using two black screws (EE) per metal bracket. As shown.



12 Attaching the cam bolts

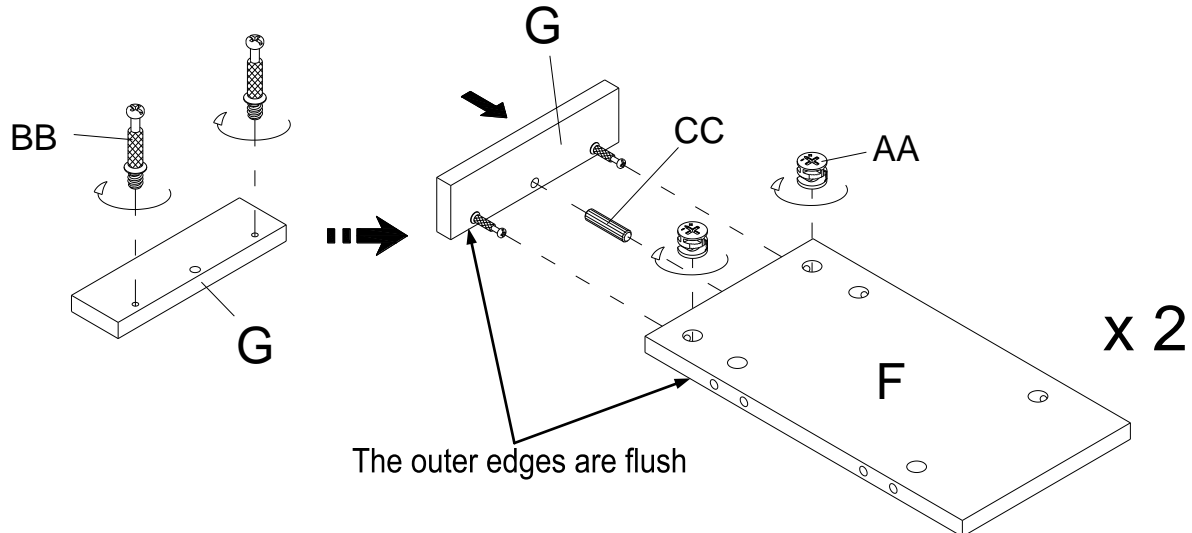
- Securely screw six cam bolts (BB) into the designated small holes on the center shelf (B) by a Phillips screwdriver.



Assembly (continued)

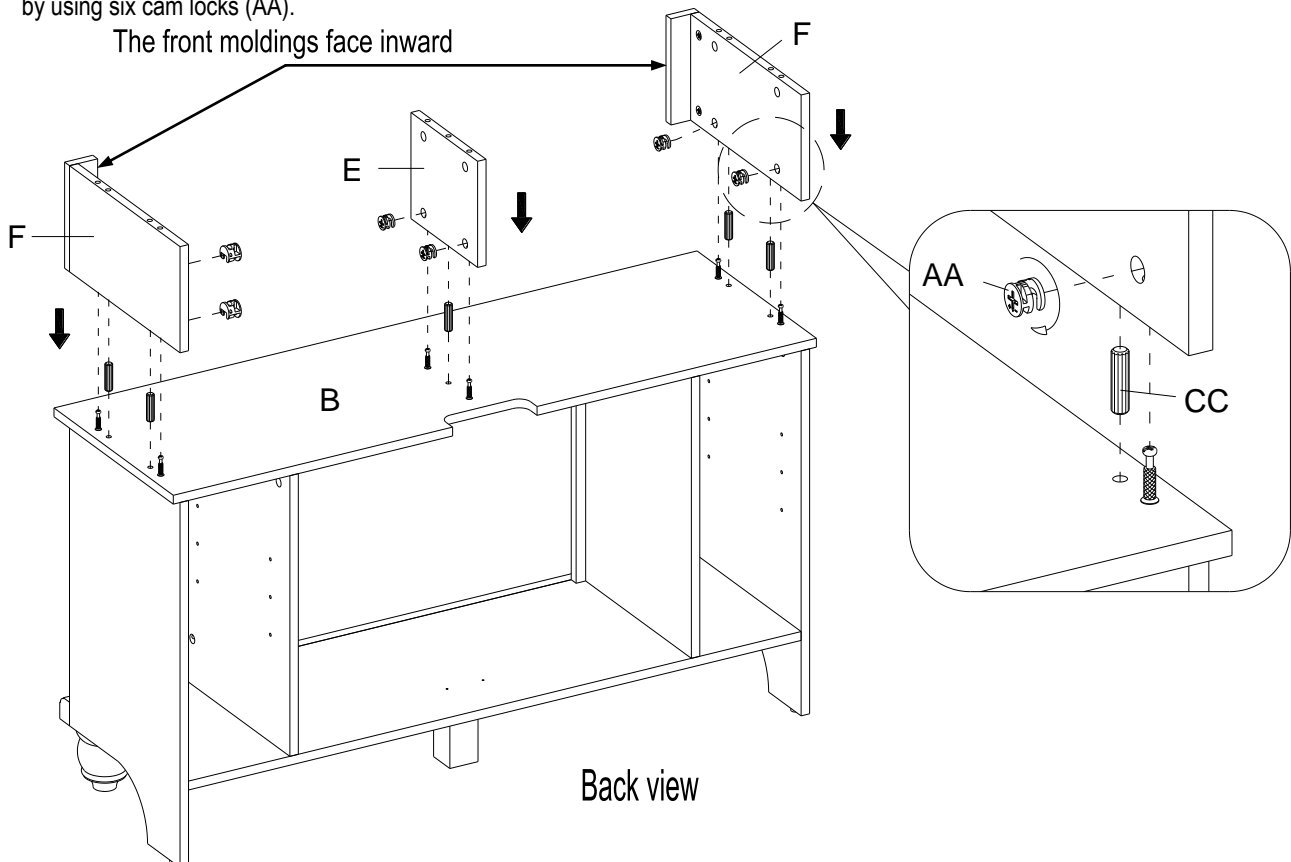
13 Attaching the upper side panel moldings

- Securely screw two cam bolts (BB) into the designated small holes on one upper side panel molding (G) by a phillips screwdriver.
- Fasten the upper side panel molding (G) to one upper side panel (F) using one wood dowel (CC) and two cam locks (AA). As shown.
- Repeat the same procedure to combine the other upper side panel and upper side panel molding (F and G) together.



14 Assembling the upper side panels and partition panel

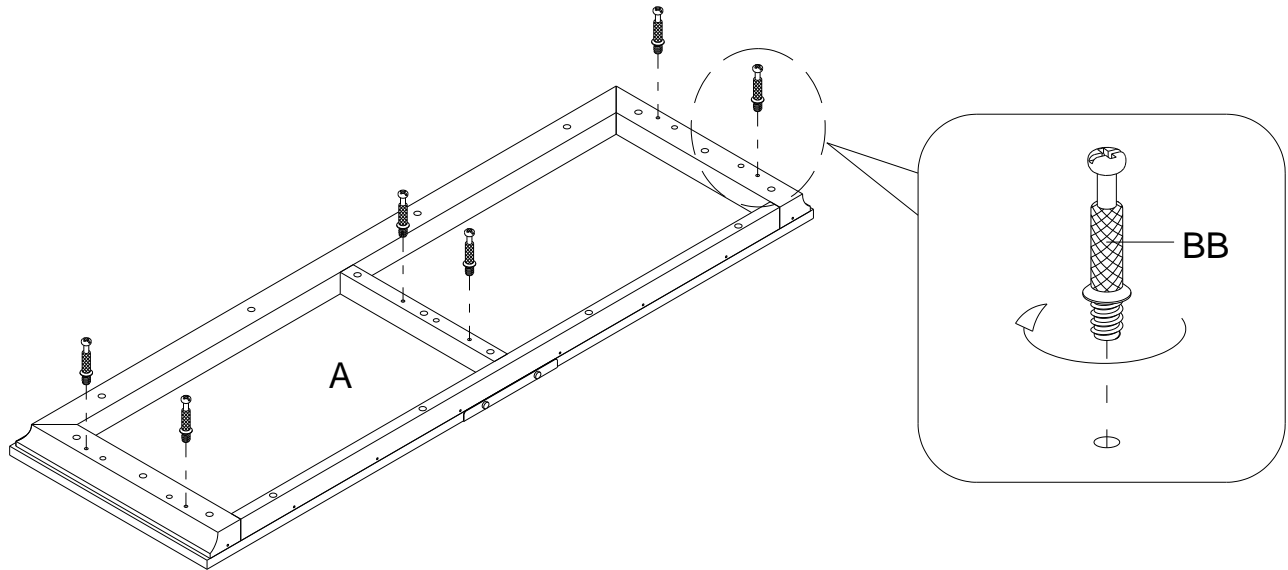
- Insert the wood dowels (CC) into the inner holes of the upper side panels (F) and partition panel (E) and attach them to the center shelf (B) by using six cam locks (AA).



Assembly (continued)

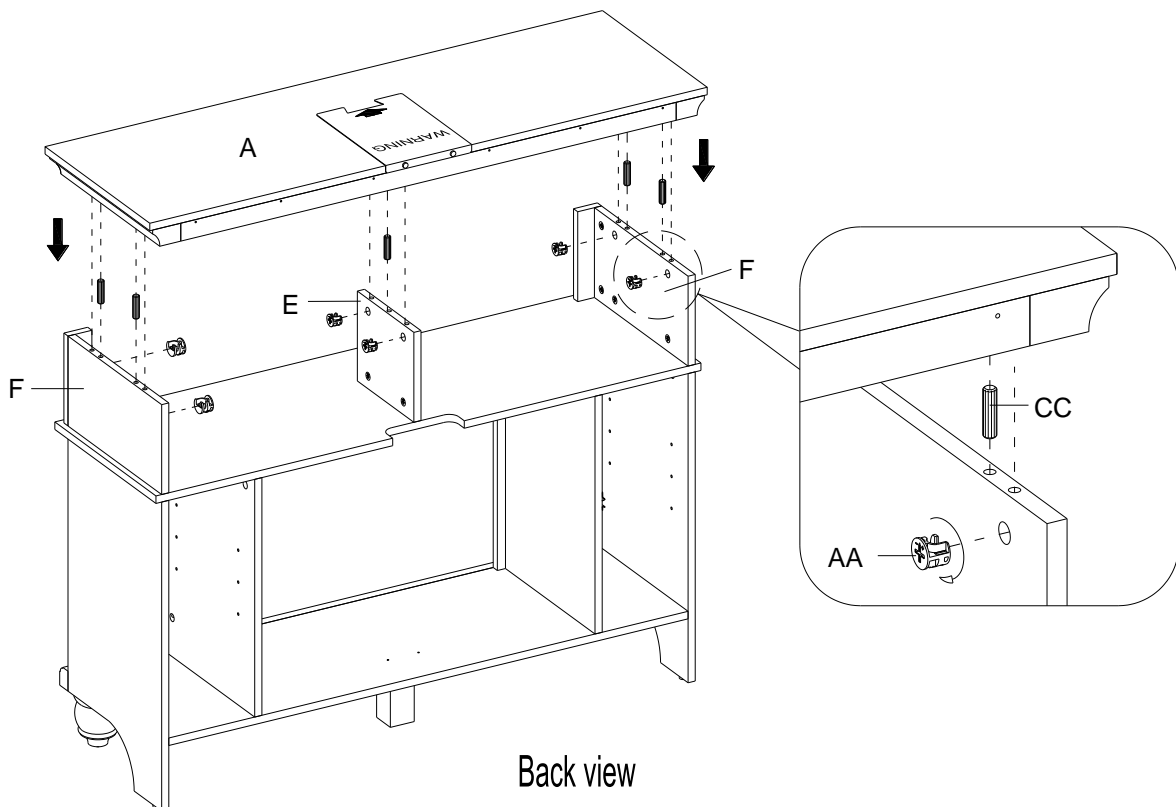
15 Attaching the cam bolts

- Securely screw six cam bolts (BB) into the designated small holes on the top panel (A) by a Phillips screwdriver.



16 Attaching the top panel

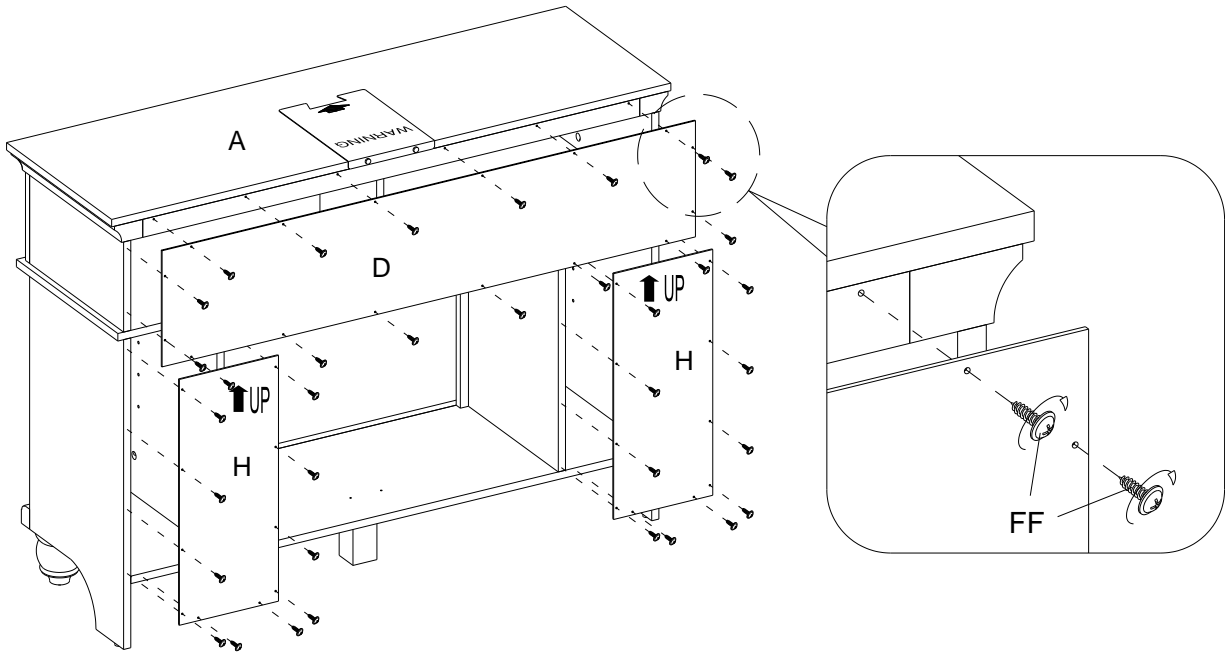
- Insert five wood dowels (CC) into the top inner holes on upper side panels (F) and partition panel (E). Position the top panel (A) onto the inserted wood dowels (CC) and fasten it in place with six cam locks (AA).



Assembly (continued)

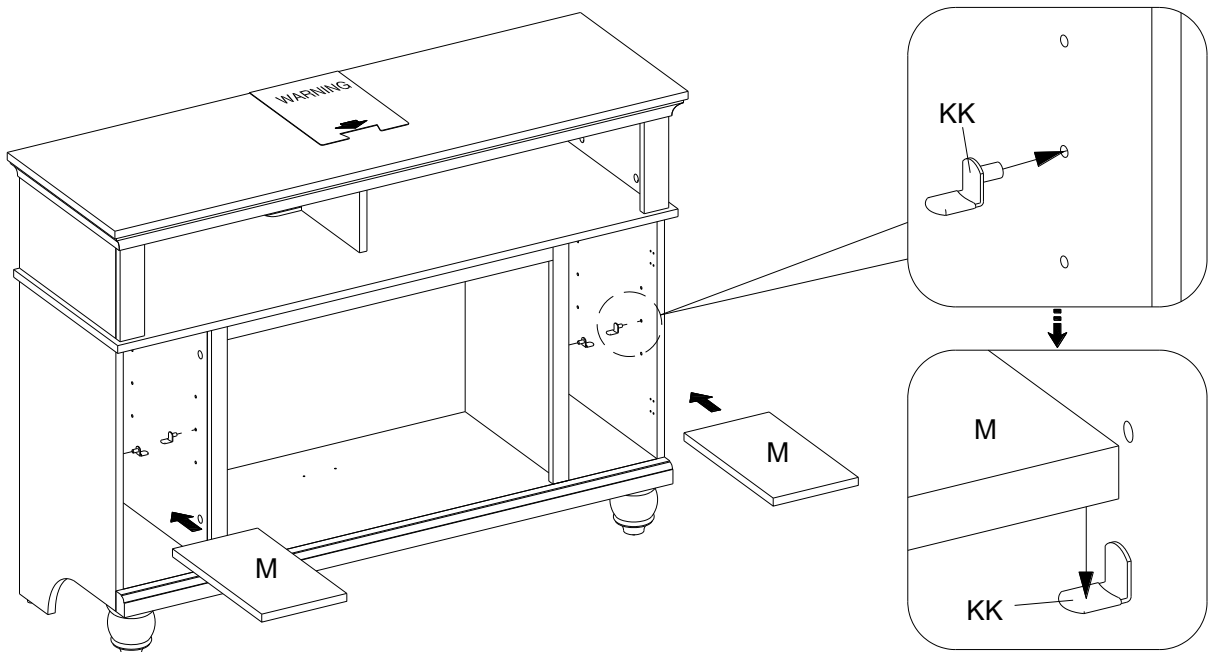
17 Attaching the back panels

- Pick up the upper back panel (D) and align the pre-drilled holes against the upper long edge with the pilot holes on the back stretcher of top panel (A). Attach the back panel (D) in place using the provided washer head screws (FF).
- Align and attach two lower back panels (H) to the lower side panels and lower partition panels (I, J, K and L) with the provided washer head screws (FF).



18 Assembling the adjustable shelves

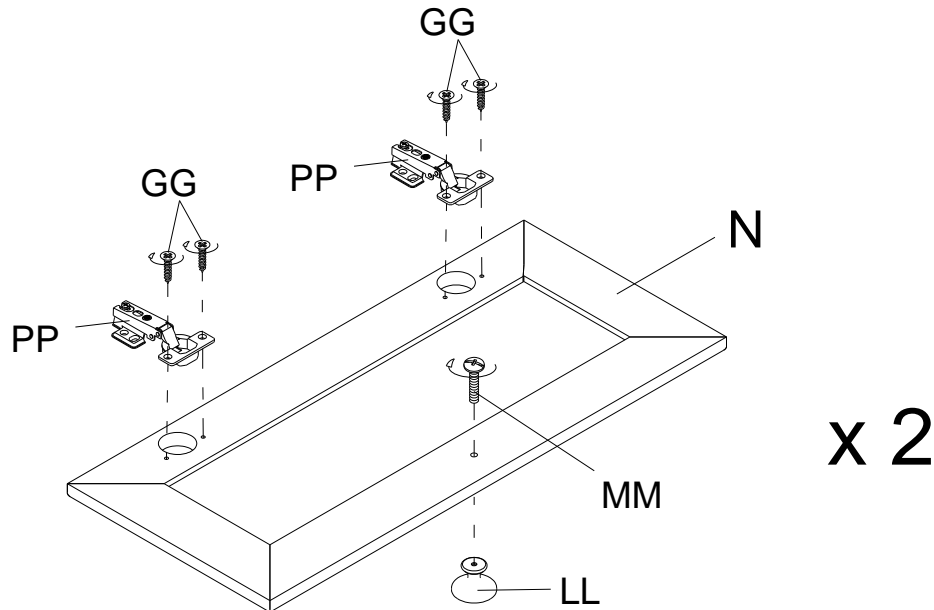
- Insert four shelf pins (KK) into the holes at your desired height inside each side compartment. Tilt and install the adjustable shelves (M) onto the shelf pins (KK).



Assembly (continued)

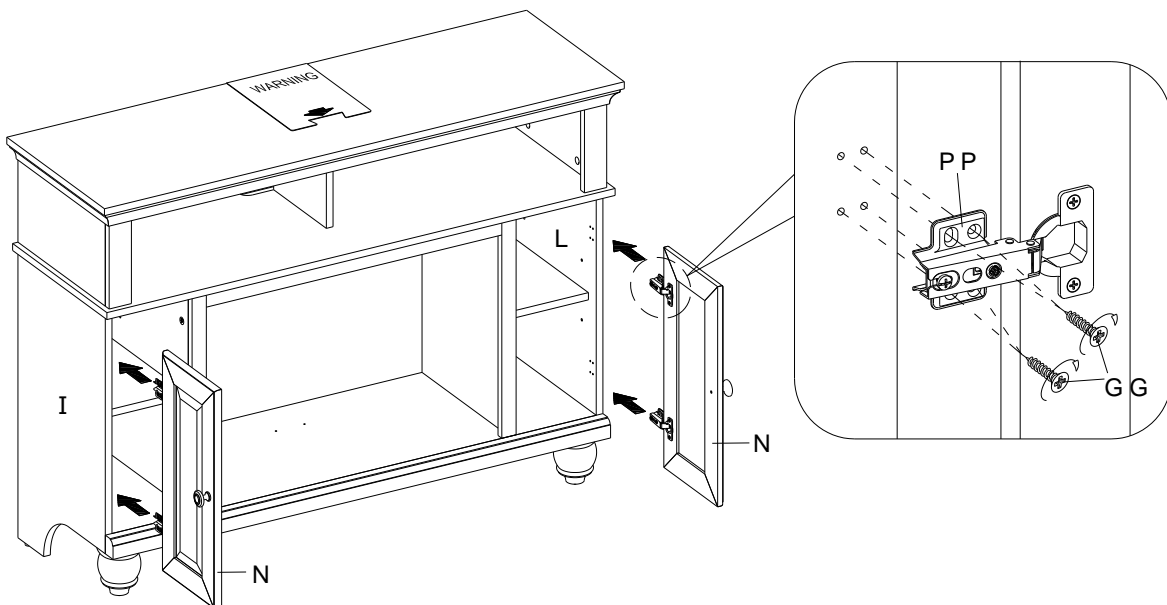
19 Installing the door hinges

- Extend the door hinges (PP) and rest the hinge cups onto the cutouts of one door panel (N). Secure the door hinges (PP) in place by using two zinc screws (GG) in each.
- Attach one knob (LL) to the front side of the door (N) with one knob bolt (MM).
- Repeat the same procedure with the other door panel (N).



20 Attaching the door panels

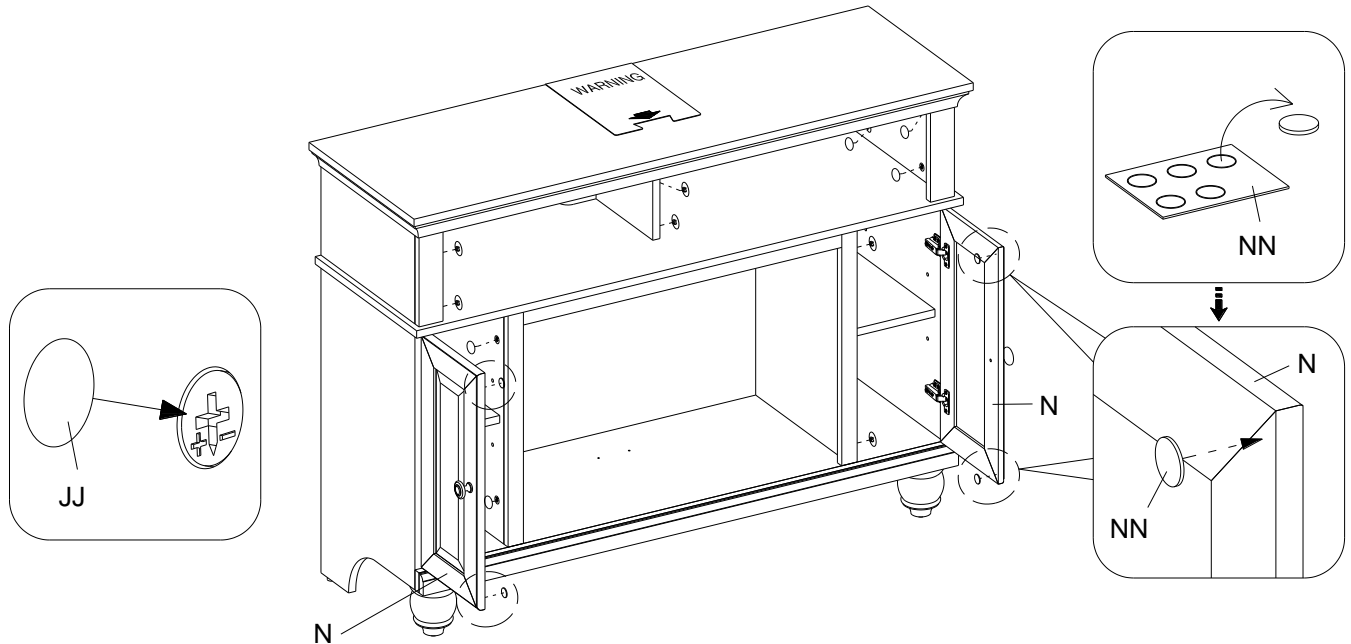
- Pick up one door panel (N) and fasten the hinge bases to the left lower side panel (I) with four zinc screws (GG) in each. Tighten the screws with the provided Phillips head L-Key. **DO NOT** fully tighten the screws.
- Repeat the same procedure to attach the other door (N) to the right lower side panel (L).
- Open and close the doors to make sure they are aligned and shut correctly. If necessary, adjust the screws for a good fit. Refer to the hinge sticker on door for adjustment.



Assembly (continued)

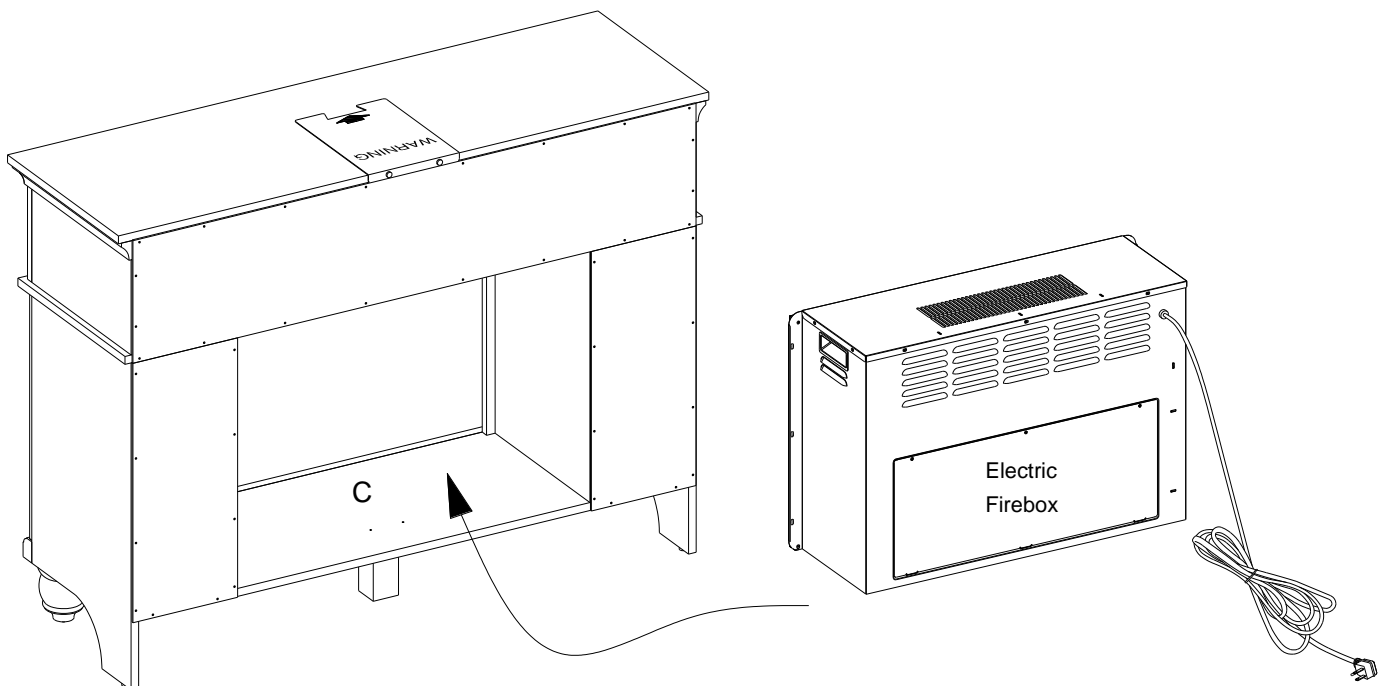
21 Attaching the rubber bumpers and cam lock covers

- Plug the cam lock covers (JJ) onto the visible cam locks to conceal the cams.
- Stick the rubber bumpers (NN) on the outer corners of doors (N) as shown.



22 Installing the fireplace insert

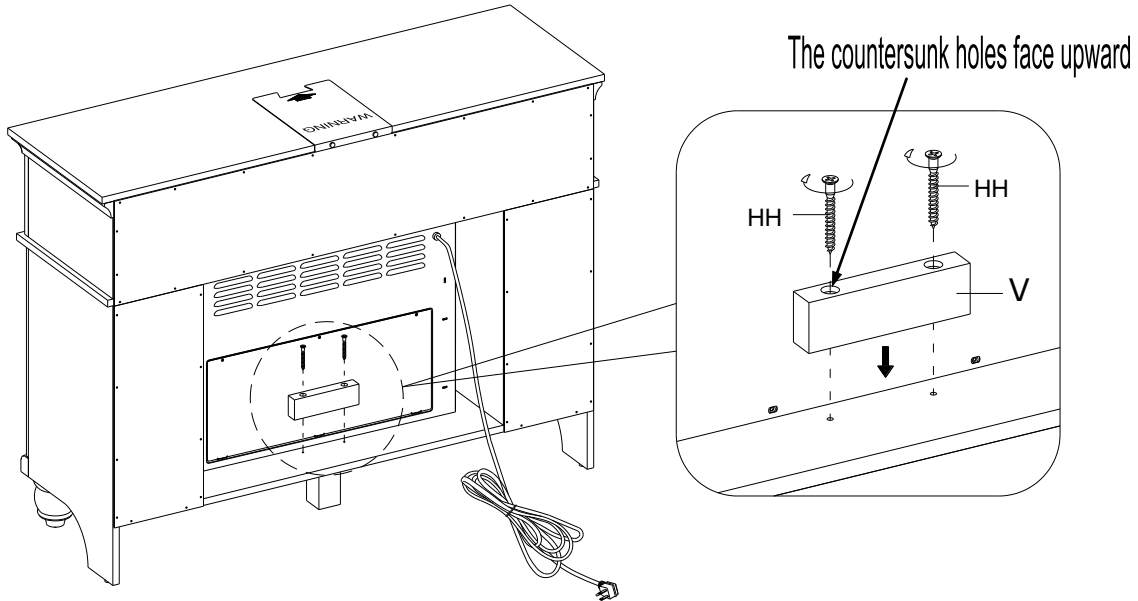
- Lift the fireplace insert carefully into the back of the assembled mantel and center it in the opening. **DO NOT** drag the insert across the bottom panel (C) as it may scratch the unit.



Assembly (continued)

23 Attaching the firebox support

- Align and attach the firebox support (V) to the bottom panel (C) by screwing two large screws (HH) into the countersunk holes.

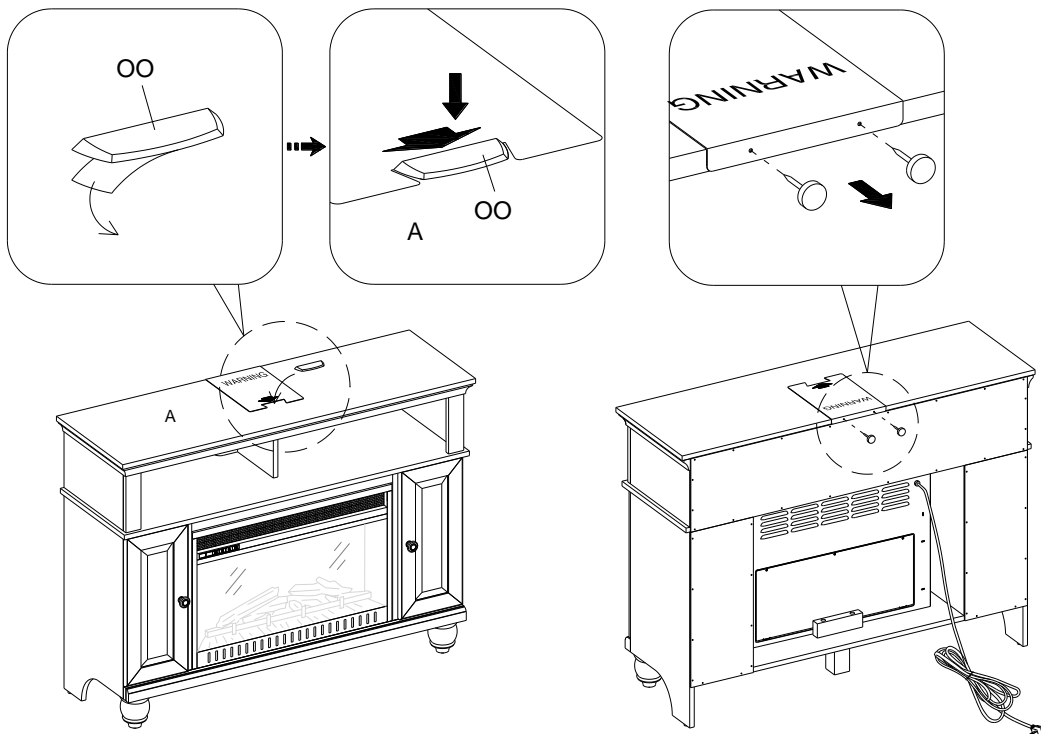


24 Attaching the acrylic stopper



NOTE: You must install the Acrylic TV Stopper to prevent TV from tipping when placing your flat panel television on the table-top

- Remove the paper backing of acrylic stopper (OO), then properly align the acrylic stopper into the cut-out on the acrylic stopper template on the front of the top panel (A). Press down on the acrylic stopper to help adhesion.
- At the back of the top panel (A), carefully unscrew the two thumb tacks to remove the acrylic stopper template.



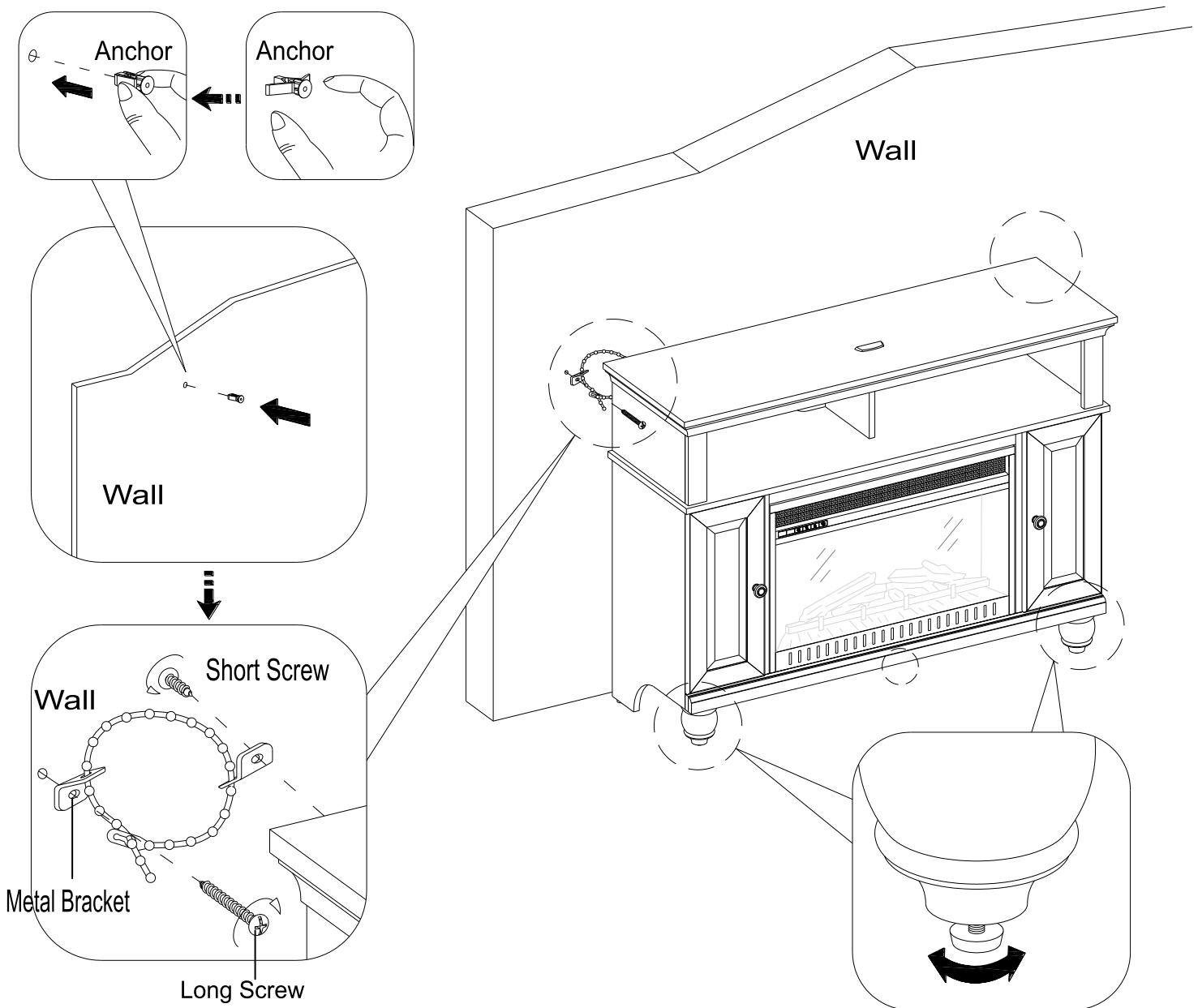
Assembly (continued)

25 Installing the tipping restraint hardware



NOTE: Young children can be seriously injured by tipping furniture. You must install the tipping restraint hardware with the unit to prevent the unit from tipping, causing any accidents or damage. The tipping restraints are intended only as a deterrent, they are not a substitute for proper adult supervision. The tipping restraints are not earthquake restraints. If you wish to add the extra security of earthquake restraints, they must be purchased and installed separately.

- Ask for assistance to position the assembled fireplace at the desired location against a wall. In case of uneven floor, floor levelers are provided at the bottom of the mantel. If necessary, adjust the floor levelers by hand to correct tilting, until the unit is level.
- Follow the instructions printed on the plastic bag containing the tipping hardware to attach the tip-over restraint to the unit and the wall.
- Connect the fireplace to the power transformer. Follow the operating manual for the electric fireplace insert to control your fireplace.



Care and Maintenance

A Touch-up Pen has been provided to repair any small nicks or scratches that may occur during assembly or shipping.

To clean and care for your furniture:

- Use a soft, clean cloth that will not scratch the surface when dusting.
- Use of furniture polishes is not necessary. Should you choose to use polishes, test first in an inconspicuous area.
- Using solvents of any kind on your furniture may damage the finish.
- Never use water to clean your furniture as it may cause damage to the finish.
- Always use coasters under beverage glasses and flowerpots.
- Liquid spills should be removed immediately. Using a soft clean cloth, blot the spill gently. Avoid rubbing.
- Always use protective pads under hot dishes and plates. Heat can cause chemical changes that may create spotting within the furniture finish.
- Stains or marks from crayons or ink markers will be difficult to remove.
- In the event that your furniture is stained or otherwise damaged during use, we recommend that you call a professional to repair your furniture.
- Check bolts/screws periodically and tighten them if necessary.

CARING FOR WOOD FURNITURE

It is best to keep your furniture in a climate-controlled environment. Extreme temperature and humidity changes can cause fading, warping, shrinking and splitting of wood. It is advised to keep furniture away from direct sunlight as sun may damage the finish.

Proper care and cleaning at home will extend the life of your purchase. Following these important and helpful tips will enhance your furniture as it ages.

CLEANING THE FIREPLACE TRIM

Clean the metal trim using a soft cloth, slightly dampened with citrus oil based product and buff with a clean soft cloth. DO NOT use brass polish or household cleaners as these products will damage the metal trim. Citrus oil based products can be obtained at supermarkets or hardware stores.

HOME DECORATORS COLLECTION

Questions, problems, missing parts? Before returning to the store,
call Home Decorators Collection Customer Service
8 a.m. - 6 p.m., EST, Monday-Friday

1-800-986-3460

HOMEDEPOT.COM/HOMEDECORATORS

Retain this manual for future use.