

If you have questions or comments, contact us.  
 Pour toute question ou tout commentaire, nous contacter.  
 Si tiene dudas o comentarios, contáctenos.  
**1-800-4-DEWALT • www.dewalt.com**

INSTRUCTIVO DE OPERACIÓN, CENTROS DE SERVICIO Y PÓLIZA DE GARANTÍA. ADVERTENCIA: LEÁSE ESTE INSTRUCTIVO ANTES DE USAR EL PRODUCTO.

INSTRUCTION MANUAL  
 GUIDE D'UTILISATION  
 MANUAL DE INSTRUCCIONES

# DEWALT®

DCD780 20V Max\* Cordless Compact 1/2" (13 mm) Drill/Driver  
 DCD785 20V Max\* Cordless Compact 1/2" (13 mm) Drill/Driver/Hammerdrill  
 DCD780 Perceuse/visseuse compact sans fil de 13 mm (1/2") de 20 V max\*  
 DCD785 Marteau perforateur/visseuse compact sans fil de 13 mm (1/2") de 20 V max\*  
 Taladro/destornillado inalámbrico compacto de 13 mm (1/2") de 20 V Máx\* DCD780  
 Taladro/destornillado/percutor inalámbrico compacto de 13 mm (1/2") de 20 V Máx\* DCD785

DEWALT Industrial Tool Co., 701 East Joppa Road, Baltimore, MD 21286  
 (MAR11) Part No. N088344 DCD780, DCD785 Copyright © 2011 DEWALT

The following are trademarks for one or more DEWALT power tools: the yellow and black color scheme, the "D" shaped air intake grill, the array of pyramids on the handgrip, the kit box configuration, and the array of lozenge-shaped humps on the surface of the tool.

## Definitions: Safety Guidelines

The definitions below describe the level of severity for each signal word. Please read the manual and pay attention to these symbols.

- ⚠ DANGER:** Indicates an imminently hazardous situation which, if not avoided, will result in death or serious injury.
- ⚠ WARNING:** Indicates a potentially hazardous situation which, if not avoided, could result in death or serious injury.
- ⚠ CAUTION:** Indicates a potentially hazardous situation which, if not avoided, may result in minor or moderate injury.
- NOTICE:** Indicates a practice not related to personal injury which, if not avoided, may result in property damage.

IF YOU HAVE ANY QUESTIONS OR COMMENTS ABOUT THIS OR ANY DEWALT TOOL, CALL US TOLL FREE AT: **1-800-4-DEWALT (1-800-433-9258)**.

**⚠ WARNING:** To reduce the risk of injury, read the instruction manual.

## General Power Tool Safety Warnings

**⚠ WARNING!** Read all safety warnings and all instructions. Failure to follow the warnings and instructions may result in electric shock, fire and/or serious injury.

## SAVE ALL WARNINGS AND INSTRUCTIONS FOR FUTURE REFERENCE

The term "power tool" in the warnings refers to your mains-operated (corded) power tool or battery-operated (cordless) power tool.

### 1) WORK AREA SAFETY

- a) **Keep work area clean and well lit.** Cluttered or dark areas invite accidents.
- b) **Do not operate power tools in explosive atmospheres, such as in the presence of flammable liquids, gases or dust.** Power tools create sparks which may ignite the dust or fumes.
- c) **Keep children and bystanders away while operating a power tool.** Distractions can cause you to lose control.

### 2) ELECTRICAL SAFETY

- a) **Power tool plugs must match the outlet. Never modify the plug in any way. Do not use any adapter plugs with earthed (grounded) power tools.** Unmodified plugs and matching outlets will reduce risk of electric shock.
- b) **Avoid body contact with earthed or grounded surfaces such as pipes, radiators, ranges and refrigerators.** There is an increased risk of electric shock if your body is earthed or grounded.
- c) **Do not expose power tools to rain or wet conditions.** Water entering a power tool will increase the risk of electric shock.
- d) **Do not abuse the cord. Never use the cord for carrying, pulling or unplugging the power tool. Keep cord away from heat, oil, sharp edges or moving parts.** Damaged or entangled cords increase the risk of electric shock.
- e) **When operating a power tool outdoors, use an extension cord suitable for outdoor use.** Use of a cord suitable for outdoor use reduces the risk of electric shock.
- f) **If operating a power tool in a damp location is unavoidable, use a ground fault circuit interrupter (GFCI) protected supply.** Use of a GFCI reduces the risk of electric shock.

### 3) PERSONAL SAFETY

- a) **Stay alert, watch what you are doing and use common sense when operating a power tool. Do not use a power tool while you are tired or under the influence of drugs, alcohol or medication.** A moment of inattention while operating power tools may result in serious personal injury.
- b) **Use personal protective equipment. Always wear eye protection.** Protective equipment such as dust mask, non-skid safety shoes, hard hat, or hearing protection used for appropriate conditions will reduce personal injuries.
- c) **Prevent unintentional starting. Ensure the switch is in the off position before connecting to power source and/or battery pack, picking up or carrying the tool.** Carrying power tools with your finger on the switch or energizing power tools that have the switch on invites accidents.
- d) **Remove any adjusting key or wrench before turning the power tool on.** A wrench or a key left attached to a rotating part of the power tool may result in personal injury.
- e) **Do not overreach. Keep proper footing and balance at all times.** This enables better control of the power tool in unexpected situations.
- f) **Dress properly. Do not wear loose clothing or jewelry. Keep your hair, clothing and gloves away from moving parts.** Loose clothes, jewelry or long hair can be caught in moving parts.
- g) **If devices are provided for the connection of dust extraction and collection facilities, ensure these are connected and properly used.** Use of dust collection can reduce dust-related hazards.

### 4) POWER TOOL USE AND CARE

- a) **Do not force the power tool. Use the correct power tool for your application.** The correct power tool will do the job better and safer at the rate for which it was designed.
- b) **Do not use the power tool if the switch does not turn it on and off.** Any power tool that cannot be controlled with the switch is dangerous and must be repaired.
- c) **Disconnect the plug from the power source and/or the battery pack from the power tool before making any adjustments, changing accessories, or storing power tools.** Such preventive safety measures reduce the risk of starting the power tool accidentally.
- d) **Store idle power tools out of the reach of children and do not allow persons unfamiliar with the power tool or these instructions to operate the power tool.** Power tools are dangerous in the hands of untrained users.
- e) **Maintain power tools. Check for misalignment or binding of moving parts, breakage of parts and any other condition that may affect the power tool's operation. If damaged, have the power tool repaired before use.** Many accidents are caused by poorly maintained power tools.
- f) **Keep cutting tools sharp and clean.** Properly maintained cutting tools with sharp cutting edges are less likely to bind and are easier to control.
- g) **Use the power tool, accessories and tool bits etc., in accordance with these instructions taking into account the working conditions and the work to be performed.** Use of the power tool for operations different from those intended could result in a hazardous situation.

### 5) BATTERY TOOL USE AND CARE

- a) **Recharge only with the charger specified by the manufacturer.** A charger that is suitable for one type of battery pack may create a risk of fire when used with another battery pack.
- b) **Use power tools only with specifically designated battery packs.** Use of any other battery packs may create a risk of injury and fire.
- c) **When battery pack is not in use, keep it away from other metal objects like paper clips, coins, keys, nails, screws, or other small metal objects that can make a connection from one terminal to another.** Shorting the battery terminals together may cause burns or a fire.
- d) **Under abusive conditions, liquid may be ejected from the battery, avoid contact. If contact accidentally occurs, flush with water. If liquid contacts eyes, additionally seek medical help.** Liquid ejected from the battery may cause irritation or burns.

### 6) SERVICE

- a) **Have your power tool serviced by a qualified repair person using only identical replacement parts.** This will ensure that the safety of the power tool is maintained.

## Drill/Driver/Hammerdrill Safety Warnings

- **Wear ear protectors when impact drilling.** Exposure to noise can cause hearing loss.
- **Use auxiliary handle(s), if supplied with the tool.** Loss of control can cause personal injury.
- **Hold power tool by insulated gripping surfaces, when performing an operation where the cutting accessory may contact hidden wiring.** Cutting accessory contacting a "live" wire may make exposed metal parts of the power tool "live" and could give the operator an electric shock.
- **Use clamps or other practical way to secure and support the workpiece to a stable platform.** Holding the work by hand or against your body is unstable and may lead to loss of control.
- **Wear safety goggles or other eye protection.** Hammering and drilling operations cause chips to fly. Flying particles can cause permanent eye damage.
- **Accessories and tool may get hot during operation.** Wear gloves when handling them if performing heat producing applications such as hammerdrilling and drilling metals.
- **Do not operate this tool for long periods of time.** Vibration caused by hammer action may be harmful to your hands and arms. Use gloves to provide extra cushion and limit exposure by taking frequent rest periods.
- **Air vents often cover moving parts and should be avoided.** Loose clothes, jewelry or long hair can be caught in moving parts.

**⚠ WARNING: ALWAYS** use safety glasses. Everyday eyeglasses are NOT safety glasses. Also use face or dust mask if cutting operation is dusty. ALWAYS WEAR CERTIFIED SAFETY EQUIPMENT:

- ANSI Z87.1 eye protection (CAN/CSA Z94.3),
- ANSI S12.6 (S3.19) hearing protection,
- NIOSH/OSHA/MSHA respiratory protection.

**⚠ WARNING:** Some dust created by power sanding, sawing, grinding, drilling, and other construction activities contains chemicals known to the State of California to cause cancer, birth defects or other reproductive harm. Some examples of these chemicals are:

- lead from lead-based paints,
- crystalline silica from bricks and cement and other masonry products, and
- arsenic and chromium from chemically-treated lumber.

Your risk from these exposures varies, depending on how often you do this type of work. To reduce your exposure to these chemicals: work in a well ventilated area, and work with approved safety equipment, such as those dust masks that are specially designed to filter out microscopic particles.

- **Avoid prolonged contact with dust from power sanding, sawing, grinding, drilling, and other construction activities. Wear protective clothing and wash exposed areas with soap and water.** Allowing dust to get into your mouth, eyes, or lay on the skin may promote absorption of harmful chemicals.

**⚠ WARNING:** Use of this tool can generate and/or disperse dust, which may cause serious and permanent respiratory or other injury. Always use NIOSH/OSHA approved respiratory protection appropriate for the dust exposure. Direct particles away from face and body.

**⚠ WARNING: Always wear proper personal hearing protection that conforms to ANSI S12.6 (S3.19) during use.** Under some conditions and duration of use, noise from this product may contribute to hearing loss.

**⚠ CAUTION: When not in use, place tool on its side on a stable surface where it will not cause a tripping or falling hazard.** Some tools with large battery packs will stand upright on the battery pack but may be easily knocked over.

The label on your tool may include the following symbols. The symbols and their definitions are as follows:

V.....volts	A.....amperes
Hz.....hertz	W.....watts
min .....minutes	~ .....alternating current
== .....direct current	∞ .....alternating or direct current
Ⓜ.....Class I Construction (grounded)	n <sub>o</sub> .....no load speed
Ⓜ.....Class II Construction (double insulated)	Ⓧ.....earthing terminal
.../min .....per minute	⚠.....safety alert symbol
IPM.....impacts per minute	BPM.....beats per minute
	RPM.....revolutions per minute

## Important Safety Instructions for All Battery Packs

When ordering replacement battery packs, be sure to include the catalog number and voltage. Consult the chart at the end of this manual for compatibility of chargers and battery packs.

The battery pack is not fully charged out of the carton. Before using the battery pack and charger, read the safety instructions below and then follow charging procedures outlined.

### READ ALL INSTRUCTIONS

- **Do not charge or use the battery pack in explosive atmospheres, such as in the presence of flammable liquids, gases or dust.** Inserting or removing the battery pack from the charger may ignite the dust or fumes.
- **NEVER force the battery pack into the charger. DO NOT modify the battery pack in any way to fit into a non-compatible charger as battery pack may rupture causing serious personal injury.** Consult the chart at the end of this manual for compatibility of batteries and chargers.
- Charge the battery packs only in designated DEWALT chargers.
- **DO NOT** splash or immerse in water or other liquids.
- **Do not store or use the tool and battery pack in locations where the temperature may reach or exceed 105°F (40°C) (such as outside sheds or metal buildings in summer).** For best life store battery packs in a cool, dry location.
- **NOTE: Do not store the battery packs in a tool with the trigger switch locked on. Never tape the trigger switch in the ON position.**

**⚠ WARNING:** Fire hazard. Never attempt to open the battery pack for any reason. If the battery pack case is cracked or damaged, do not insert into the charger. Do not crush, drop or damage the battery pack. Do not use a battery pack or charger that has received a sharp blow, been dropped, run over or damaged in any way (e.g., pierced with a nail, hit with a hammer, stepped on). Damaged battery packs should be returned to the service center for recycling.

**⚠ WARNING: Fire hazard. Do not store or carry the battery pack so that metal objects can contact exposed battery terminals.** For example, do not place the battery pack in aprons, pockets, tool boxes, product kit boxes, drawers, etc., with loose nails, screws, keys, etc. Transporting batteries can possibly cause fires if the battery terminals inadvertently come in contact with conductive materials such as keys, coins, hand tools and the like. The US Department of Transportation Hazardous Material Regulations (HMR) actually prohibit transporting batteries in commerce or on airplanes (e.g., packed in suitcases and carry-on luggage) UNLESS they are properly protected from short circuits. So when transporting individual battery packs, make sure that the battery terminals are protected and well insulated from materials that could contact them and cause a short circuit.

### SPECIFIC SAFETY INSTRUCTIONS FOR LITHIUM ION (Li-Ion)

- **Do not incinerate the battery pack even if it is severely damaged or is completely worn out.** The battery pack can explode in a fire. Toxic fumes and materials are created when lithium ion battery packs are burned.
- **If battery contents come into contact with the skin, immediately wash area with mild soap and water.** If battery liquid gets into the eye, rinse water over the open eye for 15 minutes or until irritation ceases. If medical attention is needed, the battery electrolyte is composed of a mixture of liquid organic carbonates and lithium salts.
- **Contents of opened battery cells may cause respiratory irritation.** Provide fresh air. If symptoms persist, seek medical attention.

**⚠ WARNING:** Burn hazard. Battery liquid may be flammable if exposed to spark or flame.

### The RBRC™ Seal

The RBRC™ (Rechargeable Battery Recycling Corporation) Seal on the nickel cadmium, nickel metal hydride or lithium ion batteries (or battery packs) indicate that the costs to recycle these batteries (or battery packs) at the end of their useful life have already been paid by DEWALT. In some areas, it is illegal to place spent nickel cadmium, nickel metal hydride or lithium ion batteries in the trash or municipal solid waste stream and the RBRC program provides an environmentally conscious alternative.



RBRC™, in cooperation with DEWALT and other battery users, has established programs in the United States and Canada to facilitate the collection of spent nickel cadmium, nickel metal hydride or lithium ion batteries. Help protect our environment and conserve natural resources by returning the spent nickel cadmium, nickel metal hydride or lithium ion batteries to an authorized DEWALT service center or to your local retailer for recycling. You may also contact your local recycling center for information on where to drop off the spent battery.

RBRC™ is a registered trademark of the Rechargeable Battery Recycling Corporation.

### Important Safety Instructions for All Battery Chargers

**SAVE THESE INSTRUCTIONS:** This manual contains important safety and operating instructions for battery chargers.

- Before using the charger, read all instructions and cautionary markings on the charger, battery pack and product using the battery pack.
- **⚠ WARNING:** Shock hazard. Do not allow any liquid to get inside the charger. Electric shock may result.
- **⚠ CAUTION:** Burn hazard. To reduce the risk of injury, charge only DEWALT rechargeable battery packs. Other types of batteries may overheat and burst resulting in personal injury and property damage.
- **NOTICE:** Under certain conditions, with the charger plugged into the power supply, the charger can be shorted by foreign material. Foreign materials of a conductive nature, such as, but not limited to, grinding dust, metal chips, steel wool, aluminum foil or any buildup of metallic particles should be kept away from the charger cavities. Always unplug the charger from the power supply when there is no battery pack in the cavity. Unplug the charger before attempting to clean.

- **DO NOT attempt to charge the battery pack with any chargers other than the ones in this manual.** The charger and battery pack are specifically designed to work together.
- **These chargers are not intended for any uses other than charging DEWALT rechargeable batteries.** Any other uses may result in risk of fire, electric shock or electrocution.
- **Do not expose the charger to rain or snow.**
- **Pull by the plug rather than the cord when disconnecting the charger.** This will reduce the risk of damage to the electric plug and cord.
- **Make sure that the cord is located so that it will not be stepped on, tripped over or otherwise subjected to damage or stress.**
- **Do not use an extension cord unless it is absolutely necessary.** Use of improper extension cord could result in risk of fire, electric shock or electrocution.
- **When operating a charger outdoors, always provide a dry location and use an extension cord suitable for outdoor use.** Use of a cord suitable for outdoor use reduces the risk of electric shock.
- **An extension cord must have adequate wire size (AWG or American Wire Gauge) for safety.** The smaller the gauge number of the wire, the greater the capacity of the cable, that is, 16 gauge has more capacity than 18 gauge. An undersized cord will cause a drop in line voltage resulting in loss of power and overheating. When using more than one extension to make up the total length, be sure each individual extension contains at least the minimum wire size. The following table shows the correct size to use depending on cord length and nameplate ampere rating. If in doubt, use the next heavier gauge. The lower the gauge number, the heavier the cord.

Ampere Rating		Minimum Gauge for Cord Sets				
		Volts	Total Length of Cord in Feet (meters)			
More Than	Not More Than	120V	25 (7.6)	50 (15.2)	100 (30.5)	150 (45.7)
		240V	50 (15.2)	100 (30.5)	200 (61.0)	300 (91.4)
		AWG				
0	6		18	16	16	14
6	10		18	16	14	12
10	12		16	16	14	12
12	16		14	12	Not Recommended	







DeWALT Industrial Tool Co., 701 East Joppa Road, Baltimore, MD 21286, call 1-800-4-DEWALT (1-800-433-9258) or visit our website: www.dewalt.com.

MAXIMUM RECOMMENDED CAPACITIES		
	DCD780	DCD785
<b>WOOD</b>		
Auger	7/8" (22 mm)	7/8" (22 mm)
Paddle	1-1/4" (32 mm)	1-1/4" (32 mm)
Twist	1/2" (13 mm)	1/2" (13 mm)
Self-feed	1-3/8" (35 mm)	1-3/8" (35 mm)
Hole saw	2" (50 mm)	2" (50 mm)
<b>METAL</b>		
Twist	1/2" (13 mm)	1/2" (13 mm)
Hole saw	1-3/8" (35 mm)	1-3/8" (35 mm)
<b>MASONRY</b>		
Carbide	-	1/4" (6.5 mm)

### Three Year Limited Warranty

DeWALT will repair, without charge, any defects due to faulty materials or workmanship for three years from the date of purchase. This warranty does not cover part failure due to normal wear or tool abuse. For further detail of warranty coverage and warranty repair information, visit www.dewalt.com or call 1-800-4-DEWALT (1-800-433-9258). This warranty does not apply to accessories or damage caused where repairs have been made or attempted by others. This warranty gives you specific legal rights and you may have other rights which vary in certain states or provinces.

In addition to the warranty, DeWALT tools are covered by our:

#### 1 YEAR FREE SERVICE

DeWALT will maintain the tool and replace worn parts caused by normal use, for free, any time during the first year after purchase.

#### 2 YEARS FREE SERVICE ON DEWALT BATTERY PACKS

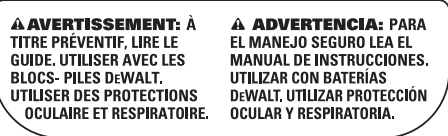
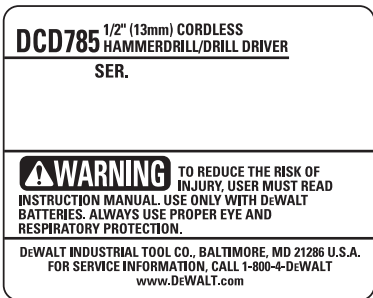
DC9071, DC9091, DC9096, DC9280, DC9360, DC9180 and DCB200

#### 90 DAY MONEY BACK GUARANTEE

If you are not completely satisfied with the performance of your DeWALT Power Tool, Laser, or Nailer for any reason, you can return it within 90 days from the date of purchase with a receipt for a full refund – no questions asked.

**LATIN AMERICA:** This warranty does not apply to products sold in Latin America. For products sold in Latin America, see country specific warranty information contained in the packaging, call the local company or see website for warranty information.

**FREE WARNING LABEL REPLACEMENT:** If your warning labels become illegible or are missing, call 1-800-4-DEWALT (1-800-433-9258) for a free replacement.



e) **Entretien des outils électriques. Vérifier si les pièces mobiles sont mal alignées ou coincées, si des pièces sont brisées ou présentent toute autre condition susceptible de nuire au bon fonctionnement de l'outil électrique. En cas de dommage, faire réparer l'outil électrique avant toute nouvelle utilisation.** Beaucoup d'accidents sont causés par des outils électriques mal entretenus.

f) **S'assurer que les outils de coupe sont aiguisés et propres.** Les outils de coupe bien entretenus et affûtés sont moins susceptibles de se coincer et sont plus faciles à maîtriser.

g) **Utiliser l'outil électrique, les accessoires, les forets, etc. conformément aux présentes directives en tenant compte des conditions de travail et du travail à effectuer.** L'utilisation d'un outil électrique pour toute opération autre que celle pour laquelle il a été conçu est dangereuse.

### 5) UTILISATION ET ENTRETIEN DU BLOC-PILES

a) **Ne recharger l'outil qu'au moyen du chargeur précisé par le fabricant.** L'utilisation d'un chargeur qui convient à un type de bloc-piles risque de provoquer un incendie s'il est utilisé avec un autre type de bloc-piles.

b) **Utiliser les outils électriques uniquement avec les blocs-piles conçus à cet effet.** L'utilisation de tout autre bloc-piles risque de causer des blessures ou un incendie.

c) **Lorsque le bloc-piles n'est pas utilisé, le tenir éloigné des objets métalliques, notamment des trombones, de la monnaie, des clés, des clous, des vis ou autres petits objets métalliques qui peuvent établir une connexion entre les deux bornes.** Le court-circuit des bornes du bloc-piles risque de provoquer des brûlures ou un incendie.

d) **En cas d'utilisation abusive, le liquide peut gicler hors du bloc-piles; éviter tout contact avec ce liquide. Si un contact accidentel se produit, laver à grande eau. Si le liquide entre en contact avec les yeux, obtenir également des soins médicaux.** Le liquide qui gicle hors du bloc-piles peut provoquer des irritations ou des brûlures.

### 6) RÉPARATION

a) **Faire réparer l'outil électrique par un réparateur professionnel en n'utilisant que des pièces de rechange identiques.** Cela permettra de maintenir une utilisation sécuritaire de l'outil électrique.

### Avertissements de sécurité relatifs au marteau perforateur/perceuse/visseuse

• **Porter une protection auditive lors du perçage à percussion.** Le bruit en émanant pourrait occasionner une perte de l'acuité auditive.

• **Utiliser la/les poignée(s) auxiliaire(s) si fournie(s) avec l'outil.** Une perte de contrôle de l'outil pourrait occasionner des dommages corporels.

• **Tenir l'outil par les surfaces isolées prévues à cet effet pendant toute utilisation où l'organe de coupe pourrait entrer en contact avec des fils électriques cachés.** Tout contact de l'organe de coupe avec un fil sous tension mettra les parties métalliques exposées de l'outil sous tension et électrocutera l'utilisateur.

• **Utiliser des brides de fixation ou tout autre dispositif de fixation pratique permettant de soutenir et de retenir la pièce sur une plate-forme stable.** Tenir la pièce avec la main ou contre le corps rend la pièce instable et risque de provoquer une perte de maîtrise de l'outil.

• **Porter des lunettes de sécurité ou une autre protection oculaire.** La perforation peuvent projeter des fragments. Les particules projetées peuvent endommager les yeux irrémédiablement.

• **Les accessoires et l'outil peuvent devenir brûlants au toucher pendant l'utilisation.** Porter des gants pendant leur utilisation pour effectuer des travaux produisant beaucoup de chaleur comme la perforation à percussion et le perçage des métaux.

• **Ne pas utiliser cet outil pendant des périodes de temps prolongées.** Les vibrations causées par la percussion peuvent poser des risques pour les mains ou les bras. Porter des gants pour amortir les vibrations, et pour limiter les risques, faire des pauses fréquentes.

• **Prendre des précautions à proximité des événements car ils cachent des pièces mobiles.** Vêtements amples, bijoux ou cheveux longs risquent de rester coincés dans ces pièces mobiles.

▲ **AVERTISSEMENT : TOUJOURS porter des lunettes de sécurité.** Les lunettes ordinaires ne constituent PAS des lunettes de sécurité. Utiliser également un masque protecteur ou antipoussière si l'opération de coupe génère de la poussière. TOUJOURS PORTER UN ÉQUIPEMENT DE SÉCURITÉ HOMOLOGUÉ :

- protection oculaire conforme à la norme ANSI Z87.1 (CAN/CSA Z94.3),
- protection auditive conforme à la norme ANSI S12.6 (S3.19) et
- protection des voies respiratoires conforme aux normes NIOSH/OSHA/MSHA.

▲ **AVERTISSEMENT :** les scies, meules, ponceuses, perceuses ou autres outils de construction peuvent produire des poussières contenant des produits chimiques reconnus par l'État californien pour causer cancers, malformations congénitales ou être nocifs au système reproducteur. Parmi ces produits chimiques, on retrouve :

- Le plomb dans les peintures à base de plomb;
- La silice cristallisée dans les briques et le ciment, ou autres produits de maçonnerie; et
- L'arsenic et le chrome dans le bois ayant subi un traitement chimique.

Les risques reliés à l'exposition à ces poussières varient selon la fréquence à laquelle l'utilisateur travaille avec ce type de matériau. Pour réduire l'exposition à ces produits chimiques : travailler dans un endroit bien ventilé et porter un équipement de sécurité approuvé, comme un masque antipoussière conçu spécialement pour filtrer les particules microscopiques.

• **Éviter le contact prolongé avec les poussières produites par les activités de ponçage, sciage, meulage, perçage et autres activités de construction. Porter des vêtements de protection et laver les parties du corps exposées avec une solution d'eau et de savon.** Le fait de laisser la poussière pénétrer dans la bouche et les yeux ou de la laisser reposer sur la peau peut promouvoir l'absorption de produits chimiques nocifs.

▲ **AVERTISSEMENT :** l'utilisation de cet outil peut produire et/ou disperser des poussières pouvant causer des problèmes respiratoires graves et permanents ou d'autres problèmes de santé. Toujours porter un appareil respiratoire approuvé par la NIOSH/OSHA pour se protéger de la poussière. Diriger les particules loin du visage et du corps.

▲ **AVERTISSEMENT : toujours porter une protection auditive appropriée conformément à la norme ANSI S12.6 (S3.19) lors de l'utilisation du produit.** Dans certaines conditions et selon la durée d'utilisation, le bruit émis par ce produit peut contribuer à une perte auditive.

▲ **ATTENTION : lorsque l'outil n'est pas utilisé, le placer sur le côté, sur une surface stable, de manière à ne faire trébucher ni tomber personne.** Certains outils présentant un gros bloc-piles reposeront sur ce dernier, à la verticale, mais risquent d'être facilement renversés.

• L'étiquette apposée sur votre outil peut comprendre les symboles suivants. Les symboles et leurs définitions sont indiqués ci-après :

V.....volts	A.....ampères
Hz.....hertz	W.....watts
min.....minutes	~ .....courant alternatif
== .....courant continu	∞ .....courant alternatif ou continu
Ⓛ .....Classe I fabrication (mis à la terre)	n0 .....vitesse à vide
Ⓛ .....fabrication Classe II (double isolation)	⊕ .....borne de terre
.../min .....par minute	▲ .....symbole d'avertissement
IPM.....impacts par minute	BPM.....battements par minute
	r/min .....tours par minute

### Consignes de sécurité importantes propres à tous les blocs-piles

Pour commander un bloc-piles de rechange, s'assurer d'inclure son numéro de catalogue et sa tension. Consulter le tableau en dernière page de ce manuel pour connaître les compatibilités entre chargeurs et blocs-piles.

Le bloc-piles n'est pas totalement chargé d'usine. Avant d'utiliser le bloc-piles et le chargeur, lire les consignes de sécurité ci-dessous. Puis suivre la procédure de charge indiquée.

#### LIRE TOUTES LES CONSIGNES

• **Ne pas recharger ou utiliser un bloc-piles en milieu déflagrant, en présence, par exemple, de poussières, gaz ou liquides inflammables.** Le fait d'insérer ou retirer un bloc-piles de son chargeur pourrait causer l'inflammation de poussières ou d'émanations.

• **NE JAMAIS forcer l'insertion d'un bloc-piles dans un chargeur. NE modifier un bloc-piles d'AUCUNE façon pour le faire rentrer dans un chargeur incompatible, car il pourrait se briser et causer des dommages corporels graves.** Consulter le tableau en dernière page de ce manuel pour connaître les compatibilités entre chargeurs et blocs-piles.

• Recharger les blocs-piles exclusivement dans des chargeurs DeWALT.

• **NE PAS** éclabousser le bloc-piles ou l'immerger dans l'eau ou dans tout autre liquide.

• **Ne pas entreposer ou utiliser l'appareil et le bloc-piles en présence de températures ambiantes pouvant excéder 40 °C (105 °F) (comme dans des hangars ou des bâtiments métalliques l'été).** Pour préserver leur durée de vie, entreposer les blocs-piles dans un endroit frais et sec.

**REMARQUE : ne pas mettre un bloc-piles dans un outil dont la gâchette est verrouillée en position de marche. Ne jamais bloquer l'interrupteur en position de MARCHÉ.**

▲ **AVERTISSEMENT :** risques d'incendie. Ne jamais tenter d'ouvrir le bloc-piles pour quelque raison que ce soit. Si le boîtier du bloc-piles est fissuré ou endommagé, ne pas l'insérer dans un chargeur. Ne pas écraser, laisser tomber, ou endommager les blocs-piles. Ne pas utiliser un bloc-piles ou un chargeur qui a reçu un choc violent, ou si l'appareil est tombé, a été écrasé ou endommagé de quelque façon que ce soit (p. ex. percé par un clou, frappé d'un coup de marteau, piétiné). Les blocs-piles endommagés doivent être renvoyés à un centre de réparation pour y être recyclés.

▲ **AVERTISSEMENT :** risques d'incendie. Au moment de ranger ou transporter le bloc-piles, s'assurer qu'aucun objet métallique n'entre en contact avec les bornes à découvert du bloc-piles. Par exemple, éviter de placer un bloc-piles dans un tablier, une poche, une boîte à outils ou un tiroir, etc. contenant des objets tels que des clous, des vis, des clés, etc. **Le fait de transporter des bloc-piles comporte des risques d'incendie, car les bornes des piles pourraient entrer, par inadvertance, en contact avec des objets conducteurs, tels que : clés, pièces de monnaie, outils ou autres.** La réglementation sur les produits dangereux (Hazardous Material Regulations) du département américain des transports interdit, en fait, le transport des piles pour le commerce ou dans les avions (ex : dans les bagages enregistrés ou à main) À MOINS qu'elles ne soient correctement protégées contre tout court-circuit. Aussi lors du transport individuel de blocs-piles, s'assurer que leurs bornes sont bien protégées et isolées de tout matériau pouvant entrer en contact avec elles et provoquer un court-circuit.

#### CONSIGNES DE SÉCURITÉ PROPRES AUX PILES AU LITHIUM-ION (Li-Ion)

• **Ne pas incinérer le bloc-piles même s'il est sévèrement endommagé ou complètement usagé,** car il pourrait exploser et causer un incendie. Pendant l'incinération des blocs-piles au lithium-ion, des vapeurs et matières toxiques sont dégagées.

• **En cas de contact du liquide de la pile avec la peau, rincer immédiatement au savon doux et à l'eau.** En cas de contact oculaire, rincer l'œil ouvert à l'eau claire une quinzaine de minutes ou jusqu'à ce que l'irritation cesse. Si des soins médicaux s'avéraient nécessaires, noter que l'électrolyte de la pile est composé d'un mélange de carbonates organiques liquides et de sels de lithium.

• **Le contenu des cellules d'une pile ouverte peut causer une irritation respiratoire.** En cas d'inhalation, exposer l'individu à l'air libre. Si les symptômes persistent, consulter un médecin.

▲ **AVERTISSEMENT :** risques de brûlure. Le liquide de la pile peut s'enflammer s'il est exposé à des étincelles ou à une flamme.

#### Le sceau SRPRC<sup>MC</sup>

Le sceau SRPRC<sup>MC</sup> (Société de recyclage des piles rechargeables au Canada) apposé sur une pile au nickel-cadmium, à hydrure métallique de nickel ou au lithium-ion (ou un bloc-piles) indique que les coûts de recyclage de ces derniers en fin d'utilisation ont déjà été réglés par DeWALT. Dans certaines régions, la mise au rebut ou aux ordures municipales des piles au nickel-cadmium, à l'hydrure métallique de nickel ou au lithium-ion, est illégale ; le programme de SRPRC constitue donc une solution pratique et écologique.

La SRPRC<sup>MC</sup>, en collaboration avec DeWALT et d'autres utilisateurs de piles, a mis sur pied des programmes aux États-Unis et au Canada pour faciliter la collecte des piles au nickel-cadmium, à l'hydrure métallique de nickel ou au lithium-ion usagées. Aidez-nous à protéger l'environnement



### Définitions : lignes directrices en matière de sécurité

Les définitions ci-dessous décrivent le niveau de danger pour chaque mot-indicateur employé. Lire le mode d'emploi et porter une attention particulière à ces symboles.

▲ **DANGER :** indique une situation dangereuse imminente qui, si elle n'est pas évitée, entraînera la mort ou des blessures graves.

▲ **AVERTISSEMENT :** indique une situation potentiellement dangereuse qui, si elle n'est pas évitée, pourrait entraîner la mort ou des blessures graves.

▲ **ATTENTION :** indique une situation potentiellement dangereuse qui, si elle n'est pas évitée, pourrait entraîner des blessures légères ou modérées.

**AVIS :** indique une pratique ne posant aucun risque de dommages corporels mais qui par contre, si rien n'est fait pour l'éviter, pourrait poser des risques de dommages matériels.

POUR TOUTE QUESTION OU TOUT COMMENTAIRE RELATIF À CET OUTIL OU À PROPOS DE TOUT AUTRE OUTIL DEWALT, COMPOSER SANS FRAIS LE : 1-800-4-DEWALT (1-800-433-9258).

▲ **AVERTISSEMENT :** afin de réduire le risque de blessures, lire le mode d'emploi de l'outil.

### Avertissements de sécurité généraux pour les outils électriques

▲ **AVERTISSEMENT!** Lire toutes les directives et toutes les consignes de sécurité. Tout manquement aux directives et consignes pose des risques de chocs électriques, d'incendie et/ou de blessures graves.

### CONSERVER TOUS LES AVERTISSEMENTS ET TOUTES LES DIRECTIVES POUR UN USAGE ULTÉRIEUR

Le terme « outil électrique » cité dans les avertissements se rapporte à votre outil électrique à alimentation sur secteur (avec fil) ou par piles (sans fil).

#### 1) SÉCURITÉ DU LIEU DE TRAVAIL

- Tenir l'aire de travail propre et bien éclairée.** Les lieux encombrés ou sombres sont propices aux accidents.
- Ne pas faire fonctionner d'outils électriques dans un milieu déflagrant, tel qu'en présence de liquides, de gaz ou de poussières inflammables.** Les outils électriques produisent des étincelles qui pourraient enflammer la poussière ou les vapeurs.
- Éloigner les enfants et les personnes à proximité pendant l'utilisation d'un outil électrique.** Une distraction pourrait en faire perdre la maîtrise à l'utilisateur.

#### 2) SÉCURITÉ EN MATIÈRE D'ÉLECTRICITÉ

- Les fiches des outils électriques doivent correspondre à la prise. Ne jamais modifier la fiche d'aucune façon. Ne jamais utiliser de fiche d'adaptation avec un outil électrique mis à la terre.** Le risque de choc électrique sera réduit par l'utilisation de fiches non modifiées correspondant à la prise.
- Éviter tout contact physique avec des surfaces mises à la terre comme des tuyaux, des radiateurs, des cuisinières et des réfrigérateurs.** Le risque de choc électrique est plus élevé si votre corps est mis à la terre.
- Ne pas exposer les outils électriques à la pluie ou à l'humidité.** La pénétration de l'eau dans un outil électrique augmente le risque de choc électrique.
- Ne pas utiliser le cordon de façon abusive. Ne jamais utiliser le cordon pour transporter, tirer ou débrancher un outil électrique. Tenir le cordon éloigné de la chaleur, de l'huile, des bords tranchants et des pièces mobiles.** Les cordons endommagés ou enchevêtrés augmentent les risques de choc électrique.
- Pour l'utilisation d'un outil électrique à l'extérieur, se servir d'une rallonge convenant à cette application.** L'utilisation d'une rallonge conçue pour l'extérieur réduira les risques de choc électrique.
- S'il est impossible d'éviter l'utilisation d'un outil électrique dans un endroit humide, brancher l'outil dans une prise ou sur un circuit d'alimentation dotés d'un disjoncteur de fuite à la terre (GFCI).** L'utilisation de ce type de disjoncteur réduit les risques de choc électrique.

#### 3) SÉCURITÉ PERSONNELLE

- Être vigilant, surveiller le travail effectué et faire preuve de jugement lorsqu'un outil électrique est utilisé. Ne pas utiliser d'outil électrique en cas de fatigue ou sous l'influence de drogues, d'alcool ou de médicaments.** Un simple moment d'inattention en utilisant un outil électrique peut entraîner des blessures corporelles graves.
- Utiliser des équipements de protection individuelle. Toujours porter une protection oculaire.** L'utilisation d'équipements de protection comme un masque antipoussière, des chaussures antidérapantes, un casque de sécurité ou des protecteurs auditifs lorsque la situation le requiert réduira les risques de blessures corporelles.
- Empêcher les démarrages intempestifs. S'assurer que l'interrupteur se trouve à la position d'arrêt avant de relier l'outil à une source d'alimentation et/ou d'insérer un bloc-piles, de ramasser ou de transporter l'outil.** Transporter un outil électrique alors que le doigt repose sur l'interrupteur ou brancher un outil électrique dont l'interrupteur est à la position de marche risque de provoquer un accident.
- Retirer toute clé de réglage ou clé avant de démarrer l'outil.** Une clé ou une clé de réglage attachée à une partie pivotante de l'outil électrique peut provoquer des blessures corporelles.
- Ne pas trop tendre les bras. Conserver son équilibre en tout temps.** Cela permet de mieux maîtriser l'outil électrique dans les situations imprévues.
- S'habiller de manière appropriée. Ne pas porter de vêtements amples ni de bijoux. Garder les cheveux, les vêtements et les gants à l'écart des pièces mobiles.** Les vêtements amples, les bijoux ou les cheveux longs risquent de rester coincés dans les pièces mobiles.
- Si des composants sont fournis pour le raccordement de dispositifs de dépoussiérage et de ramassage, s'assurer que ceux-ci sont bien raccordés et utilisés.** L'utilisation d'un dispositif de dépoussiérage peut réduire les dangers engendrés par les poussières.

#### 4) UTILISATION ET ENTRETIEN D'UN OUTIL ÉLECTRIQUE

- Ne pas forcer un outil électrique. Utiliser l'outil électrique approprié à l'application.** L'outil électrique approprié effectuera un meilleur travail, de façon plus sûre et à la vitesse pour laquelle il a été conçu.
- Ne pas utiliser un outil électrique dont l'interrupteur est défectueux.** Tout outil électrique dont l'interrupteur est défectueux est dangereux et doit être réparé.
- Débrancher la fiche de la source d'alimentation et/ou du bloc-piles de l'outil électrique avant de faire tout réglage ou changement d'accessoire ou avant de ranger l'outil.** Ces mesures préventives réduisent les risques de démarrage accidentel de l'outil électrique.
- Ranger les outils électriques hors de la portée des enfants et ne permettre à aucune personne n'étant pas familière avec un outil électrique ou son mode d'emploi d'utiliser cet outil.** Les outils électriques deviennent dangereux entre les mains d'utilisateurs inexpérimentés.



et à conserver nos ressources naturelles en renvoyant les piles au nickel-cadmium, à l'hydrure métallique de nickel ou au lithium-ion usagées à un centre de réparation autorisé DEWALT ou chez votre détaillant afin qu'elles y soient recyclées. On peut en outre se renseigner auprès d'un centre de recyclage local pour connaître d'autres sites les acceptant.

SRPRC<sup>MC</sup> est une marque déposée de la *Société de recyclage des piles rechargeables au Canada*.

**Directives de sécurité importantes propres à tous les chargeurs de piles**

**CONSERVER CES INSTRUCTIONS :** *ce manuel contient des directives de sécurité et d'utilisation importantes propres aux chargeurs de piles.*

- Avant d'utiliser le chargeur, lire toute consigne et tout avertissement apposés sur le chargeur, le bloc-piles et le produit utilisant le bloc-piles.*

**⚠AVERTISSEMENT :** *risques de chocs électriques. Ne laisser aucun liquide pénétrer dans le chargeur, des chocs électriques pourraient en résulter.*

**⚠ATTENTION :** *risques de brûlure. Pour réduire tout risque de dommages corporels, ne recharger que des blocs-piles rechargeables DEWALT. Tout autre type de piles pourrait exploser et causer des dommages corporels et matériels.*

**AVIS :** *sous certaines conditions, lorsque le chargeur est connecté au bloc d'alimentation, des matériaux étrangers pourraient court-circuiter le chargeur. Les corps étrangers conducteurs tels que (mais pas limité à) poussières de rectification, débris métalliques, laine d'acier, feuilles d'aluminium, ou toute accumulation de particules métalliques doivent être maintenus à distance des orifices du chargeur. Débrancher systématiquement le chargeur lorsque le bloc-piles n'y est pas inséré. Débrancher systématiquement le chargeur avant tout entretien.*

- NE PAS tenter de charger de bloc-piles avec des chargeurs autres que ceux décrits dans ce manuel.** Le chargeur et son bloc-piles ont été conçus tout spécialement pour fonctionner ensemble.

- Ces chargeurs n'ont pas été conçus pour une utilisation autre que recharger les blocs-piles rechargeables DEWALT.** Toute autre utilisation comporte des risques d'incendie, de chocs électriques ou d'électrocution.

- Protéger le chargeur de la pluie ou de la neige.**

- Tirer sur la fiche plutôt que sur le cordon pour débrancher le chargeur.** Cela permet de réduire les risques d'endommager la fiche ou le cordon d'alimentation.

- S'assurer que le cordon est protégé de manière à ce que personne ne marche ni ne trébuche dessus, ou à ce qu'il ne soit ni endommagé ni soumis à aucune tension.**

- N'utiliser une rallonge qu'en cas de nécessité absolue.** L'utilisation d'une rallonge inadéquate comporte des risques d'incendie, de chocs électriques ou d'électrocution.

- Pour utiliser un chargeur à l'extérieur, le placer dans un endroit sec et utiliser une rallonge conçue pour l'extérieur.** L'utilisation d'une rallonge conçue pour l'extérieur réduit les risques de chocs électriques.

- Pour la sécurité de l'utilisateur, utiliser une rallonge de calibre adéquat (AWG, American Wire Gauge [calibrage américain normalisé des fils électriques]).** Plus le calibre est petit, et plus sa capacité est grande. Un calibre 16, par exemple, a une capacité supérieure à un calibre 18. L'usage d'une rallonge de calibre insuffisant causera une chute de tension qui entraînera perte de puissance et surchauffe. Si plus d'une rallonge est utilisée pour obtenir une certaine longueur, s'assurer que chaque rallonge présente au moins le calibre de fil minimum. Le tableau ci-dessous illustre les calibres à utiliser selon la longueur de rallonge et l'intensité nominale indiquée sur la plaque signalétique. En cas de doute, utiliser le calibre suivant. Plus le calibre est petit, plus la rallonge peut supporter de courant.

Calibres minimaux des rallonges						
Intensité (en ampères)		Volts	Longueur totale de cordon en mètres (pieds)			
		120 V	7,6 (25)	15,2 (50)	30,5 (100)	45,7 (150)
		240 V	15,2 (50)	30,5 (100)	61,0 (200)	91,4 (300)
Supérieur à	Inférieur à	AWG				
0	6		18	16	16	14
6	10		18	16	14	12
10	12		16	16	14	12
12	16		14	12	Non recommandé	

- Ne poser aucun objet sur le chargeur. Ne pas mettre le chargeur sur une surface molle qui pourrait en bloquer la ventilation et provoquer une surchauffe interne.** Éloigner le chargeur de toute source de chaleur. Le chargeur dispose d'orifices d'aération sur le dessus et le dessous du boîtier.

- Ne pas le faire fonctionner avec un cordon d'alimentation ou une fiche endommagée.**

- Ne pas utiliser le chargeur s'il a reçu un coup, fait une chute ou a été endommagé de quelque façon que ce soit.** Le ramener dans un centre de réparation agréé.

- Ne pas démonter le chargeur. Pour tout service ou réparation, le rapporter dans un centre de réparation agréé.** Le fait de le réassembler de façon incorrecte comporte des risques de chocs électriques, d'électrocution et d'incendie.

- Débrancher le chargeur du secteur avant tout entretien. Cela réduira tout risque de chocs électriques.** Le fait de retirer le bloc-piles ne réduira pas ces risques.

- NE JAMAIS** tenter de connecter 2 chargeurs ensemble.

- Le chargeur a été conçu pour être alimenté en courant électrique domestique standard de 120 volts. Ne pas tenter de l'utiliser avec toute autre tension.** Cela ne s'applique pas aux chargeurs de postes mobiles.






## Chargeurs

L'outil utilise un chargeur DEWALT. S'assurer de bien lire toutes les directives de sécurité avant d'utiliser le chargeur. Consulter le tableau figurant à la fin du présent mode d'emploi pour connaître la compatibilité des chargeurs et des blocs-piles.

### Procédure de charge (Fig. 3)

- Branchez le chargeur dans la prise appropriée avant d'y insérer le bloc-piles.
- Insérez le bloc-piles (K) dans le chargeur, comme illustré en Figure 3, en vous assurant qu'il y est correctement calé. Le voyant rouge (charge) clignotera de façon continue indiquant que le cycle de chargement a commencé.
- En fin de charge, le voyant rouge restera ALLUMÉ de façon continue. Le bloc-piles est alors complètement chargé et peut être utilisé ou laissé dans le chargeur.

## Fonctionnement du voyant

	<b>BLOC-PILES EN COURS DE CHARGEMENT</b>	— — — — —
	<b>BLOC-PILES CHARGÉ</b>	—————
	<b>SUSPENSION DE CHARGE CONTRE LE CHAUD/FROID</b>	—●—●—●—●—●
	<b>BLOC-PILES OU CHARGEUR DÉFECTUEUX</b>	●●●●●●●●●●●●●●
	<b>PROBLÈME DE SECTEUR</b>	●● ●● ●● ●● ●●

## Voyants de charge

Ce chargeur a été conçu pour détecter les problèmes pouvant survenir. Un voyant rouge clignotant rapidement indique qu'il y a un problème. Dans cette éventualité, réinsérez le bloc-piles dans le chargeur. Si le problème persiste, essayez un autre bloc-piles pour déterminer si le chargeur fonctionne. Si le nouveau bloc-piles se recharge correctement, le bloc-piles initial est endommagé et doit être retourné dans un centre de réparation ou tout autre site de récupération pour y être recyclé. Si l'on obtient le même résultat avec le nouveau bloc-piles, faites vérifier le chargeur et le bloc-piles chez un centre de réparation agréé.

### FONCTION DE SUSPENSION DE CHARGE CONTRE LE CHAUD/FROID

Ce chargeur est équipé d'une fonction de suspension de charge contre le chaud/froid. Lorsque le chargeur détecte un bloc-piles chaud, il démarre automatiquement la fonction de suspension de charge contre le chaud, en suspendant le chargement jusqu'au refroidissement de ce dernier. Une fois le bloc-piles refroidi, le chargeur se met automatiquement en mode de chargement. Cette caractéristique assure aux blocs-piles une durée de vie maximale. Le voyant rouge clignote longuement, puis rapidement en mode de suspension de charge contre le chaud/froid.

### LAISSER LE BLOC-PILES DANS LE CHARGEUR

Le chargeur et son bloc-piles peuvent rester connectés, le voyant du chargeur affichant alors Bloc-piles chargé.

**BLOCS-PILES FAIBLES :** les blocs-piles faibles continueront de fonctionner, mais il faudra s'attendre à un rendement moindre.

**BLOCS-PILES DÉFECTUEUX :** ce chargeur ne pourra recharger un bloc-piles défectueux. Le chargeur indiquera qu'un bloc-piles est défectueux en refusant de s'allumer ou en affichant bloc-piles ou chargeur défectueux.

**REMARQUE :** cela pourra aussi indiquer un problème avec le chargeur.

## Remarques importantes concernant le chargement

- Pour augmenter la durée de vie du bloc-piles et optimiser son rendement, le recharger à une température ambiante de 18 ° à 24 °C (65 °F à 75 °F). NE PAS recharger le bloc-piles à une température inférieure à + 4,5 °C (+ 40 °F) ou supérieure à + 40,5 °C (+ 105 °F). C'est important pour prévenir tout dommage sérieux au bloc-piles.
- Le chargeur et son bloc-piles peuvent devenir chauds au toucher pendant la charge. C'est normal et ne représente en aucun cas une défaillance du produit. Pour faciliter le refroidissement du bloc-piles après utilisation, éviter de laisser le chargeur ou le bloc-piles dans un local où la température ambiante est élevée comme dans un hangar métallique ou une remorque non isolée.
- Un bloc-piles froid se rechargera deux fois moins vite qu'un bloc-piles chaud. Le bloc-piles se rechargera à un rythme plus lent tout au cours du cycle de charge et ne retournera pas à sa capacité maximale de charge même s'il venait à se réchauffer.
- Si le bloc-piles ne se recharge pas correctement :
  - Vérifier le bon fonctionnement de la prise en y branchant une lampe ou tout autre appareil électrique.
  - Vérifier que la prise n'est pas contrôlée par un interrupteur qui coupe le courant lorsqu'on éteint les lumières.
  - Déplacer le chargeur et le bloc-piles dans un local où la température ambiante se trouve entre environ 18 ° et 24 °C (65 °F et 75 °F).
  - Si le problème persiste, amener l'outil, le bloc-piles et son chargeur dans un centre de réparation local.
- Recharger le bloc-piles lorsqu'il ne produit plus assez de puissance pour effectuer un travail qu'il faisait facilement auparavant. NE PAS CONTINUER à l'utiliser dans ces conditions. Suivre la procédure de charge. Si nécessaire, il est aussi possible de recharger un bloc-piles partiellement déchargé sans effet nuisible sur le bloc-piles.
- Les corps étrangers conducteurs tels que (mais pas limité à) poussières de rectification, débris métalliques, laine d'acier, feuilles d'aluminium, ou toute accumulation de particules métalliques doivent être maintenus à distance des orifices du chargeur. Débrancher systématiquement le chargeur lorsque le bloc-piles n'y est pas inséré. Débrancher systématiquement le chargeur avant tout entretien.
- Ne pas congeler ou immerger le chargeur dans l'eau ou tout autre liquide.

**⚠AVERTISSEMENT :** *risques de chocs électriques. Ne laisser aucun liquide pénétrer dans le chargeur, des chocs électriques pourraient en résulter.*

**⚠AVERTISSEMENT :** *risques de brûlure. Ne submerger le bloc-piles dans aucun liquide et le protéger de toute infiltration de liquide. Ne jamais tenter d'ouvrir le bloc-piles pour quelque raison que ce soit. Si le boîtier plastique du bloc-piles est brisé ou fissuré, le retourner dans un centre de réparation pour y être recyclé.*

## Recommandations de stockage

- Le lieu idéal de rangement est un lieu frais et sec, à l'abri de toute lumière solaire directe et de toute température excessive.
- Pour un stockage prolongé, il est recommandé d'entreposer le bloc-piles pleinement chargé dans un lieu frais et sec, hors du chargeur pour optimiser les résultats.

**REMARQUE :** les blocs-piles ne devraient pas être entreposés complètement déchargés. Il sera nécessaire de recharger le bloc-piles avant réutilisation.

## CONSERVER CES CONSIGNES POUR UTILISATION ULTÉRIEURE

## COMPOSANTS (Fig. 1)

**⚠AVERTISSEMENT :** *ne jamais modifier l'outil électrique ni aucun de ses composants, car il y a risques de dommages corporels ou matériels.*

- |   |                                       |
|---|---------------------------------------|
| A. Déten  | G. Crochet de ceinture                |
| B. Bouton de commande marche avant/marche arrière | H. Vis de montage                     |
| C. Bague de réglage du couple                     | I. Range mèche                        |
| D. Bouton de changement de vitesse                | J. Bouton de libération du bloc-piles |
| E. Lampe de travail                               | K. Bloc-piles                         |
| F. Mandrin sans clé                               |                                       |

## Gâchette à vitesse variable (Fig. 1)

Pour démarrer l'outil, presser la déten

(A). Pour éteindre l'outil, simplement la relâcher. L'outil est doté d'un frein, dès le relâchement complet de la déten

(A), le mandrin s'arrêtera.
**REMARQUE :** l'utilisation prolongée à des vitesses variables n'est pas recommandée. Cette pratique pourrait endommager la déten

et devrait être évitée.
**Bouton de commande marche avant/marche arrière (Fig. 1)**
Un bouton de commande marche avant/marche arrière (B) détermine le sens de l'outil et sert aussi de bouton de verrouillage.

Pour sélectionner la marche avant, relâcher la déten

et enfoncer le bouton de commande marche avant/marche arrière vers le côté droit de l'outil.

Pour la marche arrière, enfoncer le bouton de commande marche avant/marche arrière vers le côté gauche de l'outil.

La position du centre du bouton de commande verrouille l'outil en position d'arrêt. Toujours relâcher la déten

avant de changer la position du bouton de commande.
**REMARQUE :** au premier démarrage de l'outil après un changement de direction, il est possible qu'un dé clic se fasse entendre. Le dé clic est normal et n'indique pas de problème.

## Bague de réglage du couple (Fig. 1)

L'outil est doté d'un mécanisme de vissage à couple réglable pour le vissage et le retrait d'une vaste gamme de vis de formes et de tailles variées de même qu'un mécanisme de martelage pour le perçage de maçonnerie pour certains modèles. On retrouve, inscrits sur la bague (C), des nombres, un symbole de foret et, pour certains modèles, un symbole de marteau. L'embrayage se règle à l'aide des nombres pour produire une gamme de couple. Plus le nombre sur la bague est élevé, plus le couple est élevé. On peut ainsi visser une plus grande vis. Pour sélectionner un des nombres, tourner la bague jusqu'à ce que le nombre voulu s'aligne avec la flèche.

## Boîte de vitesses à double gamme (Fig. 1)

Pour une polyvalence accrue, la fonction double gamme de votre perceuse/visseuse vous permet de changer de vitesse.

- Pour sélectionner la vitesse 1 (réglage de couple élevé), arrêtez l'outil et laissez-le s'immobiliser complètement. Poussez le bouton de changement de vitesse (D) vers l'avant (vers le mandrin).
- Pour sélectionner la vitesse 2 (réglage de couple faible), arrêtez l'outil et laissez-le s'immobiliser complètement. Poussez le bouton de changement de vitesse vers l'arrière (à l'opposé du mandrin).

**REMARQUE :** ne pas changer de vitesse alors que l'outil fonctionne. Laisser la perceuse s'arrêter complètement avant de changer de vitesse. Si le changement de vitesse est problématique, s'assurer que le bouton de changement de vitesse à double gamme est poussé à fond, vers l'avant ou vers l'arrière.

## Lampe de travail (Fig. 1)

Une lampe de travail (E) est située juste au-dessus de la gâchette (A). La lampe de travail est activée lorsque la gâchette sera activée et elle s'éteindra automatiquement 20 secondes après la désactivation de la gâchette. Tant que la gâchette reste activée, la lampe de travail reste allumée.

**REMARQUE :** la lampe de travail permet d'éclairer la surface immédiate et n'est pas destinée à servir de lampe de poche.

## Mandrin sans clé à manchon unique (Fig. 4–6)

**⚠AVERTISSEMENT :** *ne pas essayer de resserrer ou desserrer les mèches (ou tout autre accessoire) en agrippant la partie avant du mandrin tout en mettant l'outil en marche, pour prévenir tout risque de dommages corporels et matériels. Verrouiller systématiquement la gâchette et déconnecter l'outil du secteur avant de changer tout accessoire.*

**⚠AVERTISSEMENT :** *s'assurer que la mèche est bien serrée avant de mettre l'outil en marche. Une mèche mal serrée pourrait être éjectée de l'outil et causer des dommages corporels.*

L'outil comporte un mandrin sans clé (F) doté d'un seul manchon rotatif. Il est ainsi possible de manipuler le mandrin d'une seule main. Voici les étapes à respecter pour insérer un foret ou tout autre accessoire.

- Arrêtez et débranchez l'outil du secteur.
- Saisir le manchon noir du mandrin d'une main et l'outil, de l'autre. Tourner suffisamment le manchon dans le sens antihoraire de sorte que l'accessoire voulu s'insère bien dans les mâchoires.
- Insérer l'accessoire dans le mandrin sur environ 19 mm (3/4 po), puis serrer solidement en tournant d'une main le manchon du mandrin dans le sens horaire tout en saisissant l'outil de l'autre. L'outil est doté d'un mécanisme de verrouillage automatique de la broche qui permet d'ouvrir et de fermer le mandrin d'une seule main.

Pour maximiser la compression, s'assurer de serrer le mandrin en saisissant le manchon d'une main et l'outil, de l'autre.

Pour libérer l'accessoire, répétez les étapes 1 et 2 ci-dessus.

## Crochet de ceinture et range mèche (Fig. 1)

**⚠AVERTISSEMENT :** *pour réduire tout risque de dommages corporels graves, arrêter l'outil et déconnecter le bloc-piles avant tout réglage ou avant de retirer ou installer toute pièce ou tout accessoire.*

**⚠AVERTISSEMENT :** *pour réduire tout risque de dommages corporels graves, NE PAS suspendre l'outil au-dessus de la tête, ou suspendre des objets au crochet de ceinture. Suspendre le crochet de ceinture de l'outil **UNIQUEMENT** à une ceinture porte-outils.*

**⚠AVERTISSEMENT :** *pour réduire tout risque de dommages corporels graves, s'assurer que la vis maintenant le crochet de ceinture est bien resserrée.*

**IMPORTANT :** pour rattacher ou remplacer le crochet de ceinture ou le range mèche, utiliser systématiquement la vis (H) fournie à cet effet. S'assurer de resserrer fermement la vis.

Le crochet de ceinture (G) et le range mèche (I) peuvent être rattachés de l'un ou l'autre côté de l'outil à l'aide seulement de la vis (H) fournie, pour accommoder un gaucher ou un droitier. Si vous ne désirez pas utiliser le crochet ou le range mèche, ils peuvent être complètement retirés de l'outil. Pour déplacer le crochet de ceinture ou le range mèche, retirez la vis (H) les maintenant en place puis réassemblez-les sur le côté opposé. Assurez-vous de resserrer fermement la vis.

## FONCTIONNEMENT

**⚠AVERTISSEMENT :** *pour réduire le risque de blessures corporelles graves, éteindre l'outil et le débrancher avant d'effectuer tout réglage ou d'enlever ou d'installer des accessoires.*

## Installation et retrait du bloc-piles (Fig. 2)

**REMARQUE :** pour des résultats optimums, s'assurer que le bloc-piles est complètement chargé. Pour installer le bloc-piles (K) dans la poignée de l'outil, alignez le bloc-piles sur les rails dans la poignée de l'outil et faites-le glisser fermement en place puis vérifiez qu'il ne s'en détachera pas.

Pour retirer le bloc-piles de l'outil, poussez sur le bouton de libération (J) et tirez fermement le bloc-piles hors de la poignée de l'outil. Insérez-le dans son chargeur comme décrit dans la section appropriée de ce manuel.

## Perçage (Fig. 7)

***AVIS :** en cas de perçage dans un matériau fin, utiliser un bloc de bois à l'endos de la pièce pour éviter d'endommager cette dernière.*

- Sélectionnez la vitesse/le couple désiré en utilisant le bouton de changement de vitesse pour faire correspondre la vitesse et le couple à l'utilisation désirée. Tournez le collier (C) sur le symbole de perçage.
- N'utiliser que des forets bien aiguisés. Pour la MAÇONNERIE, par exemple les briques, le ciment, les blocs de béton, etc., utiliser des mèches à pointe carburée pour perçage à percussion.
- Toujours exercer une pression en ligne droite par rapport à l'embout. Exercer suffisamment de pression pour faire mordre le foret, mais ne pas trop appuyer pour éviter de bloquer le moteur ou de faire dévier le foret.
- Tenir l'outil fermement des deux mains pour maîtriser le pivotement de la perceuse. Si le modèle ne comporte pas de poignée latérale, saisir la poignée de la perceuse avec une main et placer l'autre sur le bloc-piles.
- ⚠AVERTISSEMENT :** *la perceuse est susceptible de se bloquer, en fonction d'une surcharge, produisant ainsi une rotation brusque. Il faut toujours prévoir l'éventualité d'un blocage. Empoigner fermement la perceuse pour maîtriser sa rotation et ainsi éviter des blessures.*
  - SI LA PERCEUSE SE BLOQUE**, le problème est généralement attribuable à une surcharge ou une mauvaise utilisation. **RELÂCHER IMMÉDIATEMENT LA DÉTENTE**, retirer le foret du trou percé et déterminer la cause du blocage. **NE PAS APPUYER DE FAÇON RÉPÉTÉE SUR LA DÉTENTE POUR TENTER DE DÉMARRER UNE PERCEUSE BLOQUÉE, CAR CETTE PRATIQUE PEUT ENDOMMAGER L'OUTIL.**
- Pour éviter les blocages ou un bris lors de la réalisation d'un perçage, réduire la pression sur la perceuse et percer en douceur la dernière partie du trou.
- Faire tourner la perceuse pour retirer le foret du trou percé. Cette pratique empêche le foret de se coincer.

## Mode visseuse (Fig. 8)

- Sélectionnez la vitesse/le couple désiré en utilisant le bouton de changement de vitesse pour faire correspondre la vitesse et le couple à l'utilisation désirée.
- Tourner la bague de réglage du couple (C) à la position voulue.
**REMARQUE :** utilisez le paramètre de couple le plus bas pour ajuster la vis à la profondeur désirée. Plus le numéro est petit, plus le couple est bas.
- Insérer l'accessoire de fixation désiré dans le mandrin, comme pour un foret quelconque.
- Faites quelques essais sur un rebut ou un endroit invisible de la pièce à travailler pour déterminer la position correcte de la bague de réglage de couple.
- Pour éviter d'endommager la pièce ou l'attache, toujours amorcer le perçage à un couple plus faible puis progresser vers un couple plus élevé.

## Perçage à percussion (Fig. 9)

- Sélectionnez la vitesse/le couple désiré en utilisant le bouton de changement de vitesse pour faire correspondre la vitesse et le couple à l'utilisation désirée. Tourner la bague (C) sur le symbole du marteau perforateur.
**IMPORTANT :** utiliser les mèches à pointe de carbure ou à maçonnerie pour le perçage à percussion uniquement.
- Exercer juste assez de pression sur le marteau pour l'empêcher de rebondir excessivement ou pour éviter que le foret ne se « soulevé » au-dessus de la surface à percer. Une trop grande pression réduira la vitesse de l'outil, en diminuera le rendement et provoquera une surchauffe.
- Maintenir l'outil bien droit, en s'assurant que le foret est à angle droit avec la surface à percer. Ne pas exercer de pression latérale sur le foret en cours de perçage. En effet, cette pratique bouchera les cannelures du foret et diminuera le régime de l'outil.
- Lors du perçage de trous profonds, si la vitesse du marteau commence à chuter, retirer partiellement le foret du trou avec le moteur toujours en marche pour dégager les débris du trou.

**REMARQUE :** une évacuation continue de poussière, par le trou, indiquera que votre vitesse de perçage est adéquate.

## ENTRETIEN

**⚠AVERTISSEMENT :** *pour réduire le risque de blessures corporelles graves, éteindre l'outil et le débrancher avant d'effectuer tout réglage ou d'enlever ou d'installer des accessoires.*

## Nettoyage

**⚠AVERTISSEMENT :** *enlever les saletés et la poussière hors des événements au moyen d'air comprimé sec, au moins une fois par semaine. Porter une protection oculaire conforme à la norme ANSI Z87.1 (CAN/GSA Z94.3) et une protection des voies respiratoires conforme aux normes NIOSH/OSHA/MSHA au cours de cette tâche de nettoyage.*



**⚠️AVERTISSEMENT :** *ne jamais utiliser de solvants ni d'autres produits químicos puissants para nettoyer las piezas non métálicas de l'outil. Ces produits químicos pueden affaiblir les matériaux de plástico utilisés dans ces pièces. Utiliser un chiffon humecté uniquement d'eau et de savon doux. Ne jamais laisser de liquide pénétrer dans l'outil et n'immerger aucune partie de l'outil dans un liquide.*

**INSTRUCTIONS DE NETTOYAGE DU CHARGEUR**

**⚠️AVERTISSEMENT :** *risque de choc électrique. Débrancher le chargeur de la prise de courant c.a. avant de le nettoyer. La saleté et la graisse peuvent être enlevées de la surface extérieure du chargeur au moyen d'un chiffon ou d'une brosse douce non métálica. Ne pas utiliser d'eau ni d'autres solutions de nettoyage.*

### Réparations

Le bloc-piles et le chargeur ne sont pas réparables. Le chargeur ou le bloc-piles ne comportent aucune pièce réparable.

Pour assurer la SÉCURITÉ et la FIABILITÉ du produit, les réparations, l'entretien et les réglages (y compris l'inspection et le remplacement des balais) doivent être réalisés par un centre de réparation en usine DeWALT, un centre de réparation autorisé DeWALT ou par un personnel d'entretien qualifié. Toujours utiliser des pièces de rechange identiques.

### Accessoires

**⚠️AVERTISSEMENT :** *puisque les accessoires autres que ceux offerts par DeWALT n'ont pas été testés avec ce produit, leur utilisation pourrait s'avérer dangereuse. Pour réduire le risque de blessures, utiliser exclusivement les accessoires DeWALT recommandés avec le présent produit.*

Les accessoires recommandés pour utilisation avec l'outil sont offerts, à un coût supplémentaire, auprès du distributeur ou du centre de réparation autorisé de votre région. Pour toute demande d'assistance pour trouver un accessoire, communiquer avec DeWALT Industrial Tool Co., 701 East Joppa Road, Baltimore, MD 21286, États-Unis, composer le 1-800-4-DeWALT (1-800-433-9258) ou visiter le site Web www.dewalt.com.

CAPACITÉS MAXIMALES RECOMMANDÉES		
	DCD780	DCD785
BOIS		
À bois	22 mm (7/8 po)	22 mm (7/8 po)
Palette	32 mm (1-1/4 po)	32 mm (1-1/4 po)
Hélicoïdale	13 mm (1/2 po)	13 mm (1/2 po)
Alimentation automatique	35 mm (1-3/8 po)	35 mm (1-3/8 po)
Scie-cloche	50 mm (2 po)	50 mm (2 po)
MÉTAL		
Hélicoïdale	13 mm (1/2 po)	13 mm (1/2 po)
Scie-cloche	35 mm (1-3/8 po)	35 mm (1-3/8 po)
MAÇONNERIE		
Au carbure	–	6,5 mm (1/4 po)

### Garantie limitée de trois ans

DeWALT réparera, sans frais, tout produit défectueux causé par un défaut de matériel ou de fabrication pour une période de trois ans à compter de la date d'achat. La présente garantie ne couvre pas les pièces dont la défectuosité a été causée par une usage normale ou l'usage abusif de l'outil. Pour obtenir de plus amples renseignements sur les pièces ou les réparations couvertes par la présente garantie, visiter le site www.dewalt.com ou composer le 1 800 433-9258 (1 800 4-DeWALT). Cette garantie ne s'applique pas aux accessoires et ne vise pas les dommages causés par des réparations effectuées par un tiers. Cette garantie confère des droits légaux particuliers à l'acheteur, mais celui-ci pourrait aussi bénéficier d'autres droits variant d'un état ou d'une province à l'autre.

En plus de la présente garantie, les outils DeWALT sont couverts par notre :

#### CONTRAT D'ENTRETIEN GRATUIT D'UN AN

DeWALT entretiendra l'outil et remplacera les pièces usées au cours d'une utilisation normale et ce, gratuitement, pendant une période d'un an à compter de la date d'achat.

#### SERVICE D'ENTRETIEN GRATUIT DE 2 ANS SUR LES BLOCS-PILES DeWALT

DC9071, DC9091, DC9096, DC9280, DC9360, DC9180 et DCB200 et la

#### GARANTIE DE REMBOURSEMENT DE 90 JOURS

Si l'acheteur n'est pas entièrement satisfait, pour quelque raison que ce soit, du rendement de l'outil électrique, du laser ou de la cloueuse DeWALT, celui-ci peut le retourner, accompagné d'un reçu, dans les 90 jours à compter de la date d'achat pour obtenir un remboursement intégral, sans aucun problème.

**AMÉRIQUE LATINE :** Cette garantie ne s'applique aux produits vendus en Amérique latine. Pour ceux-ci, veuillez consulter les informations relatives à la garantie spécifique présente dans l'emballage, appeler l'entreprise locale ou consulter le site Web pour les informations relatives à cette garantie.

**REPLACEMENT GRATUIT DES ÉTIQUETTES D'AVERTISSEMENT :** Si les étiquettes d'avertissement deviennent illisibles ou sont manquantes, composer le 1 800 433-9258 (1 800 4-DeWALT) pour en obtenir le remplacement gratuit.

<b>DCD780</b>	<b>1/2" (13mm) CORDLESS DRILL DRIVER</b>	<b>DCD785</b>	<b>1/2" (13mm) CORDLESS HAMMERDRILL/DRILL DRIVER SER.</b>
SER.		SER.	
<b>⚠️WARNING</b>	<b>TO REDUCE THE RISK OF INJURY, USER MUST READ INSTRUCTION MANUAL. USE ONLY WITH DeWALT BATTERIES. ALWAYS USE PROPER EYE AND RESPIRATORY PROTECTION.</b>	<b>⚠️WARNING</b>	<b>TO REDUCE THE RISK OF INJURY, USER MUST READ INSTRUCTION MANUAL. USE ONLY WITH DeWALT BATTERIES. ALWAYS USE PROPER EYE AND RESPIRATORY PROTECTION.</b>
DeWALT INDUSTRIAL TOOL CO., BALTIMORE, MD 21286 U.S.A. FOR SERVICE INFORMATION, CALL 1-800-4-DeWALT www.DEWALT.com		DeWALT INDUSTRIAL TOOL CO., BALTIMORE, MD 21286 U.S.A. FOR SERVICE INFORMATION, CALL 1-800-4-DeWALT www.DEWALT.com	
<b>⚠️ AVERTISSEMENT<span> </span>:</b> À TITRE PRÉVENTIF, LIRE LE GUIDE. UTILISER AVEC LES BLOCS-PILES DeWALT. UTILISER DES PROTECTIONS OCULAIRE ET RESPIRATOIRE.		<b>⚠️ ADVERTENCIA:</b> PARA EL MANEJO SEGURO LEA EL MANUAL DE INSTRUCCIONES. UTILIZAR CON BATERÍAS DeWALT. UTILIZAR PROTECCIÓN OCULAR Y RESPIRATORIA.	

eléctricas con el dedo apoyado en el interruptor o enchufar herramientas eléctricas con el interruptor en la posición de encendido puede propiciar accidentes.

d) **Guire la clavija de ajuste o la llave de tuercas antes de encender la herramienta eléctrica.** Una llave de tuercas o una clavija de ajuste que quede conectada a una pieza giratoria de la herramienta eléctrica puede provocar lesiones personales.

e) **No se estire. Conserve el equilibrio y párese adecuadamente en todo momento.** Esto permite un mejor control de la herramienta eléctrica en situaciones inesperadas.

f) **Use la vestimenta adecuada. No use ropas holgadas ni joyas. Mantenga el cabello, la ropa y los guantes alejados de las piezas en movimiento.** Las ropas holgadas, las joyas o el cabello largo pueden quedar atrapados en las piezas en movimiento.

g) **Si se suministran dispositivos para la conexión de accesorios con fines de recolección y extracción de polvo, asegúrese de que estén conectados y que se utilicen correctamente.** El uso de dispositivos de recolección de polvo puede reducir los peligros relacionados con el polvo.

#### 4) USO Y MANTENIMIENTO DE LA HERRAMIENTA ELÉCTRICA

a) **No fuerce la herramienta eléctrica. Utilice la herramienta eléctrica correcta para el trabajo que realizará.** Si se la utiliza a la velocidad para la que fue diseñada, la herramienta eléctrica correcta permite trabajar mejor y de manera más segura.

b) **No utilice la herramienta eléctrica si no puede encenderla o apagarla con el interruptor.** Toda herramienta eléctrica que no pueda ser controlada mediante el interruptor es peligrosa y debe repararse.

c) **Desconecte el enchufe de la fuente de energía o el paquete de baterías de la herramienta eléctrica antes de realizar ajustes, cambiar accesorios o almacenar la herramienta eléctrica.** Estas medidas de seguridad preventivas reducen el riesgo de encender la herramienta eléctrica en forma accidental.

d) **Guarde la herramienta eléctrica que no esté en uso fuera del alcance de los niños y no permita que otras personas no familiarizadas con ella o con estas instrucciones operen la herramienta.** Las herramientas eléctricas son peligrosas si son operadas por usuarios no capacitados.

e) **Realice el mantenimiento de las herramientas eléctricas. Revise que no haya piezas en movimiento mal alineadas o trabadas, piezas rotas o cualquier otra situación que pueda afectar el funcionamiento de la herramienta eléctrica. Si encuentra daños, haga reparar la herramienta eléctrica antes de utilizarla.** Se producen muchos accidentes a causa de las herramientas eléctricas que carecen de un mantenimiento adecuado.

f) **Mantenga las herramientas de corte afiladas y limpias.** Las herramientas de corte con mantenimiento adecuado y con los bordes de corte afilados son menos propensas a trabarse y son más fáciles de controlar.

g) **Utilice la herramienta eléctrica, los accesorios y las brocas de la herramienta, etc. de acuerdo con estas instrucciones y teniendo en cuenta las condiciones de trabajo y el trabajo que debe realizarse.** El uso de la herramienta eléctrica para operaciones diferentes de aquéllas para las que fue diseñada podría originar una situación peligrosa.

#### 5) USO Y MANTENIMIENTO DE LA HERRAMIENTA CON BATERÍAS

a) **Recargue solamente con el cargador especificado por el fabricante.** Un cargador adecuado para un tipo de paquete de baterías puede originar riesgo de incendio si se utiliza con otro paquete de baterías.

b) **Utilice herramientas eléctricas sólo con paquetes de baterías específicamente diseñados.** El uso de cualquier otro paquete de baterías puede producir riesgo de incendio y lesiones.

c) **Cuando no utilice el paquete de baterías, manténgalo lejos de otros objetos metálicos como sujetapapeles, monedas, llaves, clavos, tornillos u otros objetos metálicos pequeños que puedan realizar una conexión desde un terminal al otro.** Los cortocircuitos en los terminales de la batería pueden provocar quemaduras o incendio.

d) **En condiciones abusivas, el líquido puede ser expulsado de la batería. Evite su contacto. Si entra en contacto accidentalmente, enjuague con agua. Si el líquido entra en contacto con los ojos, busque atención médica.** El líquido expulsado de la batería puede provocar irritación o quemaduras.

#### 6) MANTENIMIENTO

a) **Solicite a una persona calificada en reparaciones que realice el mantenimiento de su herramienta eléctrica y que sólo utilice piezas de repuesto idénticas.** Esto garantizará la seguridad de la herramienta eléctrica.

### Advertencias de seguridad para taladros, destornilladores y taladros percutores

• **Cuando use el taladro percutor, use protectores auditivos.** La exposición a ruidos fuertes puede causar pérdida auditiva.

• **Utilice el (los) mango(s) auxiliares, si alguno viene con la herramienta.** Perder el control de la herramienta podría causar lesiones corporales.

• **Sujete la herramienta eléctrica de sus superficies aislantes cuando lleve a cabo una operación en que el accesorio de corte pudiera entrar en contacto con un hilo eléctrico oculto. Los accesorios** de corte que entren en contacto con un hilo eléctrico activo podrían hacer que las partes metálicas de la herramienta eléctrica también se activen con electricidad y que el operador sufra una descarga eléctrica.

• **Utilice abrazaderas u otra forma práctica para asegurar y sostener la pieza de trabajo en una plataforma estable.** Sostener el trabajo con la mano o contra el cuerpo no brinda la estabilidad requerida y puede llevar a la pérdida del control.

• **Use lentes de seguridad u otra protección similar para los ojos.** Al martillar o taladrar se producen astillas. Las partículas volátiles pueden provocar lesiones oculares permanentes.

• **Los accesorios y la herramienta pueden calentarse durante la operación.** Use guantes si realizará aplicaciones que generan calor, como el taladrado con el percusor y el taladrado de metales.

• **No opere esta herramienta durante períodos largos de tiempo.** La vibración provocada por la acción de percusión puede ser peligrosa para sus manos y brazos. Utilice guantes para mayor amortiguación y descanse con frecuencia para limitar el riesgo de exposición.

• **Las rejillas de ventilación suelen cubrir piezas en movimiento, por lo que se debe evitar el contacto con ellas.** Las piezas en movimiento pueden atrapar prendas de vestir sueltas, joyas o el cabello largo.

**⚠️ADVERTENCIA:** Use SIEMPRE lentes de seguridad. Los anteojos de uso diario NO son lentes de seguridad. Utilice también máscaras faciales o para polvo si los cortes producen polvillo.

UTILICE SIEMPRE EQUIPOS DE SEGURIDAD CERTIFICADOS:

- Protección para los ojos ANSI Z87.1 (CAN/CSA Z94.3),
- Protección auditiva ANSI S12.6 (S3.19),
- Protección respiratoria según las normas NIOSH/OSHA/MSHA.

**⚠️ADVERTENCIA:** Algunas partículas de polvo generadas al lijar, serrar, esmerilar y taladrar con herramientas eléctricas, así como al realizar otras actividades de construcción, contienen químicos que el Estado de California sabe que pueden producir cáncer, defectos congénitos u otras afecciones reproductivas. Ejemplos de estos químicos son:

- plomo de algunas pinturas en base a plomo,
- polvo de sílice proveniente de ladrillos y cemento y otros productos de albañilería, y
- arsénico y cromo provenientes de madera tratada químicamente.

El riesgo derivado de estas exposiciones varía según la frecuencia con la que se realice este tipo de trabajo. Para reducir la exposición a estos productos químicos, se recomienda trabajar en áreas bien ventiladas y usar equipos de seguridad aprobados, como las máscaras para polvo especialmente diseñadas para filtrar las partículas microscópicas.

• **Evite el contacto prolongado con las partículas de polvo originadas al lijar, aserrar, esmerilar, taladrar y realizar demás actividades de la construcción. Utilice ropa protectora y lave las áreas expuestas con agua y jabón.** Evite que el polvo entre en la boca y en los ojos o se deposite en la piel, para impedir la absorción de productos químicos nocivos.

**⚠️ADVERTENCIA:** El uso de esta herramienta puede generar o dispersar partículas de polvo, que pueden causar lesiones respiratorias permanentes y graves u otras lesiones. Use siempre protección respiratoria apropiada para la exposición al polvo aprobada por NIOSH/OSHA (Instituto Nacional de Salud y Seguridad Ocupacional / Seguridad ocupacional y Administración de la Salud y Seguridad Ocupacional). Aleje la cara y el cuerpo del contacto con las partículas.

**⚠️ADVERTENCIA:** Durante el uso, use siempre protección auditiva adecuada que cumpla con la norma ANSI S12.6 (S3.19). Bajo ciertas circunstancias y según el período de uso, el ruido producido por este producto puede contribuir a la pérdida de audición.

**⚠️ATENCIÓN:** Cuando no se utilice, coloque la herramienta de costado en una superficie estable en la que no provocará tropezones o caídas. Algunas herramientas con paquetes de baterías grandes permanecerán en forma vertical sobre la batería, pero pueden ser derribadas fácilmente.

• La etiqueta de su herramienta puede incluir los siguientes símbolos. Los símbolos y sus definiciones son los siguientes:

V.....	voltios	A.....	amperios
Hz.....	hertz	W.....	vatios
min .....	minutos	~ .....	corriente alterna
==	corriente directa	⌘ .....	corriente alterna o directa
⓪.....	Construcción de Clase I (con conexión a tierra)	Ⓝ.....	velocidad sin carga
Ⓛ.....	Construcción de Clase II (doble aislamiento)	Ⓧ.....	terminal de conexión a tierra
.../min .....	por minuto	⚠️.....	símbolo de advertencia de seguridad
IPM.....	impactos por minuto	BPM.....	golpes por minuto
		RPM.....	revoluciones por minuto

### Instrucciones de seguridad importantes para todas las unidades de batería

Cuando solicite unidades de batería de repuesto, no olvide indicar el número de catálogo y el voltaje. Consulte la tabla al final de este manual para ver la compatibilidad entre cargadores y unidades de batería.

La unidad de batería no viene completamente cargada de fábrica. Antes de usar la unidad de batería y el cargador, lea las siguientes instrucciones de seguridad. Luego, siga los procedimientos de carga indicados.

### LEA TODAS LAS INSTRUCCIONES

• **No cargue o use la unidad de batería en atmósferas explosivas, como en presencia de líquidos, gases o polvos inflamables.** Puede que al insertar o sacar la unidad de batería del cargador se inflamen el polvo o los gases.

• **NUNCA fuerce la unidad de batería para que entre en el cargador. NO modifique la unidad de batería en ninguna forma para que entre en un cargador no compatible, pues puede producir una ruptura en la unidad de batería y causar lesiones corporales graves.** Consulte la tabla al final de este manual para ver la compatibilidad entre baterías y cargadores.

• Cargue las unidades de batería sólo en los cargadores designados por DeWALT.

• **NO salpique con ni sumerja en agua u otros líquidos.**

• **No guarde ni use la herramienta y unidad de batería en lugares donde la temperatura pueda alcanzar o superar los 40 °C (105 °F), tales como cobertizos o construcciones de metal durante el verano.** Almacene las unidades de batería en lugares frescos y secos para maximizar su vida útil.

**NOTA:** No almacene las unidades de batería en la herramienta con el interruptor de gatillo en posición encendida fija. Nunca use cinta adhesiva para mantener el interruptor de gatillo en posición ENCENDIDA.

**⚠️ADVERTENCIA:** Peligro de incendio. Nunca intente abrir la unidad de batería por ningún motivo. Si la caja exterior de la unidad de batería se triza o daña, no la introduzca en el cargador. No triture, deje caer o dañe la unidad de batería. No use una unidad de batería o un cargador que haya sido golpeado, dejado caer, atropellado o dañado en cualquier forma (por ejemplo, perforado por un clavo, golpeado con un martillo, pisado). Lleve sus unidades de batería dañadas al centro de servicio para que sean recicladas.

**⚠️ADVERTENCIA:** Peligro de incendio. No guarde ni transporte la unidad de batería de manera que objetos metálicos puedan hacer contacto con los terminales expuestos de la batería. Por ejemplo, no ponga la unidad de batería en delantales, bolsillos, cajas de herramientas, estuches de productos, cajones, etc., junto con clavos, tornillos, llaves, etc., sueltos.







5. **SI EL TALADRO SE ATASCA**, probablemente se deba a una sobrecarga o al uso inadecuado de la herramienta. **SUELTE EL DISPARADOR INMEDIATAMENTE**, retire la broca de la pieza de trabajo, y determine la causa del atascamiento. **NO OPRIMA EL DISPARADOR PARA INTENTAR DESTABAR EL TALADRO – PODRÍA DAÑARLO.**
6. Para minimizar los atascamientos o las roturas del material, reduzca la presión y deje ir suavemente la broca hacia el final del orificio.
7. Mantenga el motor en funcionamiento cuando retire la broca de un orificio taladrado. Esto ayudará a prevenir atascamientos.

### Destornillado (Fig. 8)

1. Seleccione la velocidad/el par de torsión con el cambiador de velocidades para acoplar la velocidad y el par de torsión a la función planeada.
2. Gire el anillo de ajuste de torsión (C) hasta la posición deseada.  
**NOTA:** Use el número de par de torsión mínimo requerido para atornillar el tornillo hasta la profundidad deseada. Mientras menor el número, menor será el par de torsión.
3. Inserte el accesorio de sujeción deseado en el portabrocas como lo haría con cualquier broca.
4. Practique su uso en material de desecho o en un lugar poco notorio de la pieza de trabajo para determinar la posición correcta del collarín de ajuste del par de torsión.
5. Comience siempre con configuraciones de torsión menores y vaya aumentando la torsión, para evitar daños a la pieza de trabajo o al sujetador.

### Taladro de percusión (Fig. 9)

1. Seleccione la velocidad/el par de torsión con el cambiador de velocidades para acoplar la velocidad y el par de torsión a la función planeada. Gire el anillo (C) hasta el símbolo de taladro percutor.  
**IMPORTANTE:** Use brocas afiladas con puntas de carburo de tungsteno o brocas de mampostería calificadas sólo para taladro de percusión.
2. Cuando taladre, aplique sólo la fuerza suficiente sobre el percutor para evitar que éste rebote en forma excesiva o "levante" la broca. Si aplica demasiada fuerza, hará que las velocidades de taladro sean más lentas, recalentará la herramienta y producirá un menor nivel de taladro.
3. Taladre en línea recta, manteniendo la broca en ángulo recto con respecto a la pieza de trabajo. No ejerza presión lateral sobre la broca al taladrar, ya que esto provocará el atascamiento de las ranuras de la broca y una velocidad de taladro más lenta.
4. Al taladrar orificios profundos, si la velocidad del percutor comienza a bajar, extraiga parcialmente la broca del orificio con la herramienta aún en funcionamiento, para ayudar a eliminar los residuos.

**NOTA:** Un flujo de virutas uniforme y suave indica que se taladra a la velocidad adecuada.

### MANTENIMIENTO

**ADVERTENCIA:** Para reducir el riesgo de lesiones personales graves, apague la herramienta y desconéctela de la fuente de energía antes de realizar ajustes o de retirar o instalar cualquier dispositivo o accesorio.

### Limpieza

**ADVERTENCIA:** Sople la suciedad y el polvo de todos los conductos de ventilación con aire seco al menos una vez por semana. Utilice la protección adecuada para los ojos ANSI Z87.1 (CAN/CSA Z94.3) y la protección respiratoria adecuada NIOSH/OSHA/MSHA cuando realice esta operación.

**ADVERTENCIA:** Nunca utilice disolventes u otros productos químicos abrasivos para limpiar las piezas no metálicas de la herramienta. Estos productos químicos pueden debilitar los materiales plásticos utilizados en estas piezas. Utilice un paño humedecido sólo con agua y jabón neutro. Nunca permita que penetre líquido dentro de la herramienta y nunca sumerja las piezas de la herramienta en un líquido.

### INSTRUCCIONES PARA LA LIMPIEZA DEL CARGADOR

**ADVERTENCIA:** Riesgo de descarga eléctrica. Desconecte el cargador del tomacorriente de CA antes de limpiarlo. Se puede usar un paño o un cepillo suave, que no sea metálico, para quitar la suciedad y la grasa de la parte externa del cargador. No use agua ni cualquier otra solución de limpieza.

### Accesorios

**ADVERTENCIA:** Debido a que con este producto no se han probado otros accesorios que no sean los que ofrece DEWALT, el uso de dichos accesorios con esta herramienta podría ser peligroso. Para reducir el riesgo de lesiones, con este producto deben usarse sólo los accesorios DEWALT recomendados.

Los accesorios que se recomiendan para utilizar con la herramienta están disponibles a un costo adicional en su distribuidor local o en un centro de mantenimiento autorizado. Si necesita ayuda para localizar algún accesorio, póngase en contacto con DEWALT Industrial Tool Co., 701 East Joppa Road, Baltimore, MD 21286, llame al 1-800-4-DEWALT (1-800-433-9258) o visite nuestro sitio Web www.dewalt.com.

CAPACIDADES MÁXIMAS RECOMENDADAS		
	DCD780	DCD785
<b>MADERA</b>		
Salomónica	22 mm (7/8")	22 mm (7/8")
Paleta	32 mm (1-1/4")	32 mm (1-1/4")
Giratoria	13 mm (1/2")	13 mm (1/2")
Auto-alimentación	35 mm (1-3/8")	35 mm (1-3/8")
Sierra caladora	50 mm (2")	50 mm (2")
<b>METAL</b>		
Giratoria	13 mm (1/2")	13 mm (1/2")
Sierra caladora	35 mm (1-3/8")	35 mm (1-3/8")
<b>MAMPOSTERÍA</b>		
Carburo	-	6,5 mm (1/4")

### Reparaciones

El cargador y las unidades de batería no pueden ser reparados. El cargador y la unidad de batería no contienen piezas reparables.

Para garantizar la SEGURIDAD y la CONFIABILIDAD, las reparaciones, el mantenimiento y los ajustes (incluida la inspección y el reemplazo de cepillos) deben realizarse en un centro de mantenimiento de fábrica de DEWALT, un centro de mantenimiento DEWALT autorizado o por otro personal de mantenimiento calificado. Utilice siempre piezas de repuesto idénticas.

### PARA REPARACIÓN Y SERVICIO DE SUS HERRAMIENTAS ELÉCTRICAS, FAVOR DE DIRIGIRSE AL CENTRO DE SERVICIO MÁS CERCANO

#### CULIACAN, SIN

Blvd. Emiliano Zapata 5400-1 Poniente  
Col. San Rafael (667) 717 89 99

#### GUADALAJARA, JAL

Av. La Paz #1779 - Col. Americana Sector Juárez (33) 3825 6978

#### MEXICO, D.F.

Eje Central Lázaro Cárdenas No. 18  
Local D, Col. Obrera (55) 5588 9377

#### MERIDA, YUC

Calle 63 #459-A - Col. Centro (999) 928 5038

#### MONTERREY, N.L.

Av. Francisco I. Madero 831 Poniente - Col. Centro (818) 375 23 13

#### PUEBLA, PUE

17 Norte #205 - Col. Centro (222) 246 3714

#### QUERETARO, QRO

Av. San Roque 274 - Col. San Gregorio (442) 2 17 63 14

#### SAN LUIS POTOSI, SLP

Av. Universidad 1525 - Col. San Luis (444) 814 2383

#### TORREON, COAH

Blvd. Independencia, 96 Pte. - Col. Centro (871) 716 5265

#### VERACRUZ, VER

Prolongación Díaz Mirón #4280 - Col. Remes (229) 921 7016

#### VILLAHERMOSA, TAB

Constitución 516-A - Col. Centro (993) 312 5111

### PARA OTRAS LOCALIDADES:

**Si se encuentra en México, por favor llame al (55) 5326 7100**

**Si se encuentra en U.S., por favor llame al 1-800-433-9258 (1-800 4-DEWALT)**

### Póliza de Garantía

IDENTIFICACIÓN DEL PRODUCTO:

Sello o firma del Distribuidor.

Nombre del producto: \_\_\_\_\_ Mod./Cat.: \_\_\_\_\_

Marca: \_\_\_\_\_ Núm. de serie: \_\_\_\_\_

(Datos para ser llenados por el distribuidor)

Fecha de compra y/o entrega del producto: \_\_\_\_\_

Nombre y domicilio del distribuidor donde se adquirió el producto: \_\_\_\_\_

Este producto está garantizado por un año a partir de la fecha de entrega, contra cualquier defecto en su funcionamiento, así como en materiales y mano de obra empleados para su fabricación. Nuestra garantía incluye la reparación o reposición del producto y/o componentes sin cargo alguno para el cliente, incluyendo mano de obra, así como los gastos de transportación razonablemente erogados derivados del cumplimiento de este certificado.

Para hacer efectiva esta garantía deberá presentar su herramienta y esta póliza sellada por el establecimiento comercial donde se adquirió el producto, de no contar con ésta, bastará la factura de compra.

### EXCEPCIONES

Esta garantía no será válida en los siguientes casos:

- Cuando el producto se hubiese utilizado en condiciones distintas a las normales;
- Cuando el producto no hubiese sido operado de acuerdo con el instructivo de uso que se acompaña;
- Cuando el producto hubiese sido alterado o reparado por personas distintas a las enlistadas al final de este certificado.

Anexo encontrará una relación de sucursales de servicio de fábrica, centros de servicio autorizados y franquiciados en la República Mexicana, donde podrá hacer efectiva su garantía y adquirir partes, refacciones y accesorios originales.

### Garantía limitada por tres años

DEWALT reparará, sin cargo, cualquier falla que surja de defectos en el material o la fabricación del producto, por hasta tres años a contar de la fecha de compra. Esta garantía no cubre fallas de las piezas causadas por su desgaste normal o abuso a la herramienta. Para mayores detalles sobre la cobertura de la garantía e información acerca de reparaciones realizadas bajo garantía, visítenos en www.dewalt.com o diríjase al centro de servicio más cercano. Esta garantía no aplica a accesorios o a daños causados por reparaciones realizadas o intentadas por terceros. Esta garantía le otorga derechos legales específicos, además de los cuales puede tener otros dependiendo del estado o la provincia en que se encuentre.

Además de la garantía, las herramientas DEWALT están cubiertas por:

### 1 AÑO DE SERVICIO GRATUITO

DEWALT mantendrá la herramienta y reemplazará las piezas gastadas por su uso normal, sin cobro, en cualquier momento durante un año a contar de la fecha de compra. Los artículos gastados por la clavadora, tales como la unidad de hoja y retorno del impulsador, no están cubiertas.

### 2 AÑOS DE MANTENIMIENTO GRATUITO PARA LOS PAQUETES DE BATERÍAS

DC9071, DC9091, DC9096, DC9280, DC9360, DC9180 y DCB200

### GARANTÍA DE REEMBOLSO DE SU DINERO POR 90 DÍAS

Si no está completamente satisfecho con el desempeño de su máquina herramienta, láser o clavadora DEWALT, cualquiera sea el motivo, podrá devolverlo hasta 90 días de la fecha de compra con su recibo y obtener el reembolso completo de su dinero – sin necesidad de responder a ninguna pregunta.

**AMÉRICA LATINA:** Esta garantía no se aplica a los productos que se venden en América Latina. Para los productos que se venden en América Latina, debe consultar la información de la garantía específica del país que viene en el empaque, llamar a la compañía local o visitar el sitio Web a fin de obtener esa información.

**REEMPLAZO GRATUITO DE LAS ETIQUETAS DE ADVERTENCIAS:** Si sus etiquetas de advertencia se vuelven ilegibles o faltan, llame al 1-800-4-DEWALT (1-800-433-9258) para que se le reemplacen gratuitamente.



**AVERTISSEMENT: À TITRE PRÉVENTIF, LIRE LE GUIDE. UTILISER AVEC LES BLOCS-PILES DEWALT. UTILISER DES PROTECTIONS OCULAIRE ET RESPIRATOIRE.**

**ADVERTENCIA: PARA EL MANEJO SEGURO LEA EL MANUAL DE INSTRUCCIONES. UTILIZAR CON BATERÍAS DEWALT. UTILIZAR PROTECCIÓN OCULAR Y RESPIRATORIA.**

### ESPECIFICACIONES

DCD780	20 V Máx*	0-600 / 0-2 000 RPM
DCD785	20 V Máx*	0-600 / 0-2 000 RPM; 0-10 200 / 0-34 000 BPM

SOLAMENTE PARA PROPÓSITO DE MÉXICO:  
IMPORTADO POR: DEWALT S.A. DE C.V.  
BOSQUES DE CIDROS, ACCESO RADIATAS NO.42  
3A. SECCIÓN DE BOSQUES DE LAS LOMAS  
DELEGACIÓN CUAJIMALPA,  
05120, MÉXICO, D.F.  
TEL. (52) 555-326-7100  
R.F.C.: BDE810626-1W7

Para servicio y ventas consulte "HERRAMIENTAS ELÉCTRICAS" en la sección amarilla.



Battery	Output	Chargers/Charge Time (Minutes) – Cargadores de baterías/Tiempo de carga (Minutos)																
		120 Volts						12 Volts										
Cat Number	Voltage	DW9106	DW9118	DW9107	DW9117	DW9111	DC022	DC9000	DC9310	DC9320	DCB100	DCB101	DW0246	DCB119	DW0249	DW9109	DC9319	
DC9360	36	X	X	X	X	X	X	60	X	X	X	X	X	X	X	X	X	X
DC9280	28	X	X	X	X	X	X	60	X	X	X	X	X	X	X	X	X	X
DW0242	24	X	X	X	X	X	X	60	X	X	X	X	X	X	X	X	X	X
DC9096	18	X	X	X	X	X	X	60	X	X	X	X	X	X	X	X	X	X
DC9099	18	X	X	X	X	X	X	60	X	X	X	X	X	X	X	X	X	X
DC9180	18	X	X	X	X	X	X	60	X	X	X	X	X	X	X	X	X	X
DC9181	18	X	X	X	X	X	X	60	X	X	X	X	X	X	X	X	X	X
DCB200	20	X	X	X	X	X	X	60	X	X	X	X	X	X	X	X	X	X
DCB201	20	X	X	X	X	X	X	60	X	X	X	X	X	X	X	X	X	X
DW9096	18	X	X	X	X	X	X	60	X	X	X	X	X	X	X	X	X	X
DW9098	18	X	X	X	X	X	X	60	X	X	X	X	X	X	X	X	X	X
DW9099	18	X	X	X	X	X	X	60	X	X	X	X	X	X	X	X	X	X
DC9091	14.4	90	115	60	60	60	60	60	60	60	60	60	60	60	60	60	60	60
DC9094	14.4	60	90	45	45	45	45	45	45	45	45	45	45	45	45	45	45	45
DW9091	14.4	60	90	45	45	45	45	45	45	45	45	45	45	45	45	45	45	45
DW9094	14.4	45	60	30	30	30	30	30	30	30	30	30	30	30	30	30	30	30
DCB120	12	X	X	X	X	X	X	X	X	X	X	X	X	X	X	X	X	X
DC9071	12	90	115	60	60	60	60	60	60	60	60	60	60	60	60	60	60	60
DW9050	12	40	60	30	30	30	30	30	30	30	30	30	30	30	30	30	30	30
DW9071	12	60	90	45	45	45	45	45	45	45	45	45	45	45	45	45	45	45
DW9072	12	45	60	30	30	30	30	30	30	30	30	30	30	30	30	30	30	30
DW9048	9.6	40	60	30	30	30	30	30	30	30	30	30	30	30	30	30	30	30
DW9061	9.6	60	90	45	45	45	45	45	45	45	45	45	45	45	45	45	45	45
DW9062	9.6	60	90	45	45	45	45	45	45	45	45	45	45	45	45	45	45	45
DW9057	7.2	45	60	30	30	30	30	30	30	30	30	30	30	30	30	30	30	30

"X" indicates that the battery pack is not compatible with that specific charger.

"X" indique que le bloc-piles n'est pas compatible avec ce chargeur.

Una "X" indica que el paquete de baterías no es compatible con ese determinado cargador.

All charge times are approximate. Actual charge time may vary. Read the instruction manual for more specific information.

Les durées de charge sont approximatives; la durée de charge réelle peut varier. Lire le manuel d'utilisation pour obtenir des renseignements plus précis.

El tiempo de duración de carga es aproximado; la duración de carga real puede variar. Lea el manual de instrucciones para obtener información más precisa.

\* Maximum initial battery voltage (measured without a workload) is 20 volts. Nominal voltage is 18.

\* La tension initiale maximum du bloc-piles (mesurée à vide) est de 20 volts. La tension nominale est de 18.

\* El máximo voltaje inicial de la batería (medido sin carga de trabajo) es 20 voltios. El voltaje nominal es de 18.



If you have questions or comments, contact us.  
Pour toute question ou tout commentaire, nous contacter.  
Si tiene dudas o comentarios, contáctenos.

1-800-4-DEWALT • www.dewalt.com

INSTRUCTION MANUAL  
GUIDE D'UTILISATION  
MANUAL DE INSTRUCCIONES

INSTRUCTIVO DE OPERACIÓN, CENTROS DE SERVICIO Y  
POLIZA DE GARANTÍA. **ADVERTENCIA:** LEASE ESTE  
INSTRUCTIVO ANTES DE USAR EL PRODUCTO.

# DEWALT®

DCS380, DCS381 20V Max\* Cordless Reciprocating Saws

Scies alternatives sans fil DCS380, DCS381 de 20 V max\*

Sierras alternativas inalámbricas de 20 V Máx\* DCS380, DCS381

DEWALT Industrial Tool Co., 701 East Joppa Road, Baltimore, MD 21286  
(DEC11) Part No. N142685 DCS380, DCS381 Copyright © 2011 DEWALT

The following are trademarks for one or more DEWALT power tools: the yellow and black color scheme, the "D" shaped air intake grill, the array of pyramids on the handgrip, the kit box configuration, and the array of lozenge-shaped humps on the surface of the tool.

### Definitions: Safety Guidelines

The definitions below describe the level of severity for each signal word. Please read the manual and pay attention to these symbols.

**▲ DANGER:** Indicates an imminently hazardous situation which, if not avoided, **will** result in **death or serious injury**.

**▲ WARNING:** Indicates a potentially hazardous situation which, if not avoided, **could** result in **death or serious injury**.

**▲ CAUTION:** Indicates a potentially hazardous situation which, if not avoided, **may** result in **minor or moderate injury**.

**NOTICE:** Indicates a practice **not related to personal injury** which, if not avoided, **may** result in **property damage**.

IF YOU HAVE ANY QUESTIONS OR COMMENTS ABOUT THIS OR ANY DEWALT TOOL, CALL US TOLL FREE AT: **1-800-4-DEWALT (1-800-433-9258)**.

**WARNING:** To reduce the risk of injury, read the instruction manual.

### General Power Tool Safety Warnings

**WARNING!** Read all safety warnings and all instructions. Failure to follow the warnings and instructions may result in electric shock, fire and/or serious injury.

#### SAVE ALL WARNINGS AND INSTRUCTIONS FOR FUTURE REFERENCE

The term "power tool" in the warnings refers to your mains-operated (corded) power tool or battery-operated (cordless) power tool.

#### 1) WORK AREA SAFETY

- Keep work area clean and well lit. Cluttered or dark areas invite accidents.
- Do not operate power tools in explosive atmospheres, such as in the presence of flammable liquids, gases or dust. Power tools create sparks which may ignite the dust or fumes.
- Keep children and bystanders away while operating a power tool. Distractions can cause you to lose control.

#### 2) ELECTRICAL SAFETY

- Power tool plugs must match the outlet. Never modify the plug in any way. Do not use any adapter plugs with earthed (grounded) power tools. Unmodified plugs and matching outlets will reduce risk of electric shock.
- Avoid body contact with earthed or grounded surfaces such as pipes, radiators, ranges and refrigerators. There is an increased risk of electric shock if your body is earthed or grounded.
- Do not expose power tools to rain or wet conditions. Water entering a power tool will increase the risk of electric shock.
- Do not abuse the cord. Never use the cord for carrying, pulling or unplugging the power tool. Keep cord away from heat, oil, sharp edges or moving parts. Damaged or entangled cords increase the risk of electric shock.
- When operating a power tool outdoors, use an extension cord suitable for outdoor use. Use of a cord suitable for outdoor use reduces the risk of electric shock.
- If operating a power tool in a damp location is unavoidable, use a ground fault circuit interrupter (GFCI) protected supply. Use of a GFCI reduces the risk of electric shock.

#### 3) PERSONAL SAFETY

- Stay alert, watch what you are doing and use common sense when operating a power tool. Do not use a power tool while you are tired or under the influence of drugs, alcohol or medication. A moment of inattention while operating power tools may result in serious personal injury.
- Use personal protective equipment. Always wear eye protection. Protective equipment such as dust mask, non-skid safety shoes, hard hat, or hearing protection used for appropriate conditions will reduce personal injuries.
- Prevent unintentional starting. Ensure the switch is in the off position before connecting to power source and/or battery pack, picking up or carrying the tool. Carrying power tools with your finger on the switch or energizing power tools that have the switch on invites accidents.
- Remove any adjusting key or wrench before turning the power tool on. A wrench or a key left attached to a rotating part of the power tool may result in personal injury.
- Do not overreach. Keep proper footing and balance at all times. This enables better control of the power tool in unexpected situations.
- Dress properly. Do not wear loose clothing or jewelry. Keep your hair, clothing and gloves away from moving parts. Loose clothes, jewelry or long hair can be caught in moving parts.
- If devices are provided for the connection of dust extraction and collection facilities, ensure these are connected and properly used. Use of dust collection can reduce dust-related hazards.

#### 4) POWER TOOL USE AND CARE

- Do not force the power tool. Use the correct power tool for your application. The correct power tool will do the job better and safer at the rate for which it was designed.
- Do not use the power tool if the switch does not turn it on and off. Any power tool that cannot be controlled with the switch is dangerous and must be repaired.
- Disconnect the plug from the power source and/or the battery pack from the power tool before making any adjustments, changing accessories, or storing power tools. Such preventive safety measures reduce the risk of starting the power tool accidentally.
- Store idle power tools out of the reach of children and do not allow persons unfamiliar with the power tool or these instructions to operate the power tool. Power tools are dangerous in the hands of untrained users.
- Maintain power tools. Check for misalignment or binding of moving parts, breakage of parts and any other condition that may affect the power tool's operation. If damaged, have the power tool repaired before use. Many accidents are caused by poorly maintained power tools.
- Keep cutting tools sharp and clean. Properly maintained cutting tools with sharp cutting edges are less likely to bind and are easier to control.
- Use the power tool, accessories and tool bits, etc. in accordance with these instructions, taking into account the working conditions and the work to be performed. Use of the power tool for operations different from those intended could result in a hazardous situation.

#### 5) BATTERY TOOL USE AND CARE

- Recharge only with the charger specified by the manufacturer. A charger that is suitable for one type of battery pack may create a risk of fire when used with another battery pack.
- Use power tools only with specifically designated battery packs. Use of any other battery packs may create a risk of injury and fire.
- When battery pack is not in use, keep it away from other metal objects like paper clips, coins, keys, nails, screws, or other small metal objects that can make a connection from one terminal to another. Shorting the battery terminals together may cause burns or a fire.
- Under abusive conditions, liquid may be ejected from the battery; avoid contact. If contact accidentally occurs, flush with water. If liquid contacts eyes, additionally seek medical help. Liquid ejected from the battery may cause irritation or burns.

#### 6) SERVICE

- Have your power tool serviced by a qualified repair person using only identical replacement parts. This will ensure that the safety of the power tool is maintained.

### Additional Specific Safety Rules for Reciprocating Saws

- Hold power tool by insulated gripping surfaces, when performing an operation where the cutting accessory may contact hidden wiring. Cutting accessory

contacting a "live" wire may make exposed metal parts of the power tool "live" and could give the operator an electric shock.

- Use clamps or another practical way to secure and support the workpiece to a stable platform. Holding the work by hand or against your body leaves it unstable and may lead to loss of control.
- Hold saw firmly with both hands for all cutting operations. During cutting operations, the blade may suddenly bind in the work and may cause the saw to kickback towards the operator.
- Keep hands away from moving parts. Never place your hands near the cutting area.
- Use extra caution when cutting overhead and pay particular attention to overhead wires which may be hidden from view. Anticipate the path of falling branches and debris ahead of time.
- Do not operate this tool for long periods of time. Vibration caused by the operating action of this tool may cause permanent injury to fingers, hands, and arms. Use gloves to provide extra cushion, take frequent rest periods, and limit daily time of use.

**▲WARNING: ALWAYS** use safety glasses. Everyday eyeglasses are NOT safety glasses. Also use face or dust mask if cutting operation is dusty. ALWAYS WEAR CERTIFIED SAFETY EQUIPMENT:

- ANSI Z87.1 eye protection (CAN/CSA Z94.3),
- ANSI S12.6 (S3.19) hearing protection,
- NIOSH/OSHA/MSHA respiratory protection.

**▲WARNING:** Some dust created by power sanding, sawing, grinding, drilling, and other construction activities contains chemicals known to the State of California to cause cancer, birth defects or other reproductive harm. Some examples of these chemicals are:

- lead from lead-based paints,
- crystalline silica from bricks and cement and other masonry products, and
- arsenic and chromium from chemically-treated lumber.

Your risk from these exposures varies, depending on how often you do this type of work. To reduce your exposure to these chemicals: work in a well ventilated area, and work with approved safety equipment, such as those dust masks that are specially designed to filter out microscopic particles.

- Avoid prolonged contact with dust from power sanding, sawing, grinding, drilling, and other construction activities. Wear protective clothing and wash exposed areas with soap and water. Allowing dust to get into your mouth, eyes, or lay on the skin may promote absorption of harmful chemicals.

**▲WARNING:** Use of this tool can generate and/or disperse dust, which may cause serious and permanent respiratory or other injury. Always use NIOSH/OSHA approved respiratory protection appropriate for the dust exposure. Direct particles away from face and body.

**▲WARNING: Always wear proper personal hearing protection that conforms to ANSI S12.6 (S3.19) during use.** Under some conditions and duration of use, noise from this product may contribute to hearing loss.

**▲CAUTION: When not in use, place tool on its side on a stable surface where it will not cause a tripping or falling hazard.** Some tools with large battery packs will stand upright on the battery pack but may be easily knocked over.

The label on your tool may include the following symbols. The symbols and their definitions are as follows:

V.....volts	A.....amperes
Hz.....hertz	W.....watts
min.....minutes	~ .....alternating current
— — .....direct current	⎓ .....alternating or direct current
Ⓛ.....Class I Construction (grounded)	n <sub>o</sub> .....no load speed
Ⓜ.....Class II Construction (double insulated)	Ⓛ.....earthing terminal
.../min.....per minute	▲.....safety alert symbol
IPM.....impacts per minute	BPM.....beats per minute
	RPM.....revolutions per minute

### Important Safety Instructions for All Battery Packs

When ordering replacement battery packs, be sure to include the catalog number and voltage. Consult the chart at the end of this manual for compatibility of chargers and battery packs.

The battery pack is not fully charged out of the carton. Before using the battery pack and charger, read the safety instructions below and then follow charging procedures outlined.

#### READ ALL INSTRUCTIONS

- Do not charge or use the battery pack in explosive atmospheres, such as in the presence of flammable liquids, gases or dust. Inserting or removing the battery pack from the charger may ignite the dust or fumes.
  - NEVER force the battery pack into the charger. Do not modify the battery pack in any way to fit into a non-compatible charger as battery pack may rupture causing serious personal injury. Consult the chart at the end of this manual for compatibility of batteries and chargers.
  - Charge the battery packs only in designated DEWALT chargers.
  - DO NOT splash or immerse in water or other liquids.
  - Do not store or use the tool and battery pack in locations where the temperature may reach or exceed 105 °F (40 °C) (such as outside sheds or metal buildings in summer). For best life store battery packs in a cool, dry location.
- NOTE: Do not store the battery packs in a tool with the trigger switch locked on. Never tape the trigger switch in the ON position.**

**▲WARNING:** Fire hazard. Never attempt to open the battery pack for any reason. If the battery pack case is cracked or damaged, do not insert into the charger. Do not crush, drop or damage the battery pack. Do not use a battery pack or charger that has received a sharp blow, been dropped, run over or damaged in any way (e.g., pierced with a nail, hit with a hammer, stepped on). Damaged battery packs should be returned to the service center for recycling.

**▲WARNING: Fire hazard. Do not store or carry the battery pack so that metal objects can contact exposed battery terminals.** For example, do not place the battery pack in aprons, pockets, tool boxes, product kit boxes, drawers, etc., with loose nails, screws, keys, etc. Transporting batteries can possibly cause fires if the battery terminals inadvertently come in contact with conductive materials such as keys, coins, hand tools and the like. The US Department of Transportation Hazardous Material Regulations (HMR) actually prohibit transporting batteries in commerce or on airplanes (e.g., packed in suitcases and carry-on luggage) UNLESS they are properly protected from short circuits. So when transporting individual battery packs, make sure that the battery terminals are protected and well insulated from materials that could contact them and cause a short circuit.

#### SPECIFIC SAFETY INSTRUCTIONS FOR LITHIUM ION (Li-Ion)

- Do not incinerate the battery pack even if it is severely damaged or is completely worn out. The battery pack can explode in a fire. Toxic fumes and materials are created when lithium ion battery packs are burned.
  - If battery contents come into contact with the skin, immediately wash area with mild soap and water. If battery liquid gets into the eye, rinse water over the open eye for 15 minutes or until irritation ceases. If medical attention is needed, the battery electrolyte is composed of a mixture of liquid organic carbonates and lithium salts.
  - Contents of opened battery cells may cause respiratory irritation. Provide fresh air. If symptoms persist, seek medical attention.
- ▲WARNING:** Burn hazard. Battery liquid may be flammable if exposed to spark or flame.

### The RBRC™ Seal

The RBRC™ (Rechargeable Battery Recycling Corporation) Seal on the nickel cadmium, nickel metal hydride or lithium ion batteries (or battery packs) indicate that the costs to recycle these batteries (or battery packs) at the end of their useful life have already been paid by DEWALT. In some areas, it is illegal to place spent nickel cadmium, nickel metal hydride or lithium ion batteries in the trash or municipal solid waste stream and the RBRC program provides an environmentally conscious alternative.



RBRC™, in cooperation with DEWALT and other battery users, has established programs in the United States and Canada to facilitate the collection of spent nickel cadmium, nickel metal hydride or lithium ion batteries. Help protect our environment and conserve natural resources by returning the spent nickel cadmium, nickel metal hydride or lithium ion batteries to an authorized DEWALT service center or to your local retailer for recycling. You may also contact your local recycling center for information on where to drop off the spent battery.

RBRC™ is a registered trademark of the Rechargeable Battery Recycling Corporation.

### Important Safety Instructions for All Battery Chargers

**SAVE THESE INSTRUCTIONS:** This manual contains important safety and operating instructions for battery chargers.

- Before using the charger, read all instructions and cautionary markings on the charger, battery pack and product using the battery pack.

**▲WARNING:** Shock hazard. Do not allow any liquid to get inside the charger. Electric shock may result.

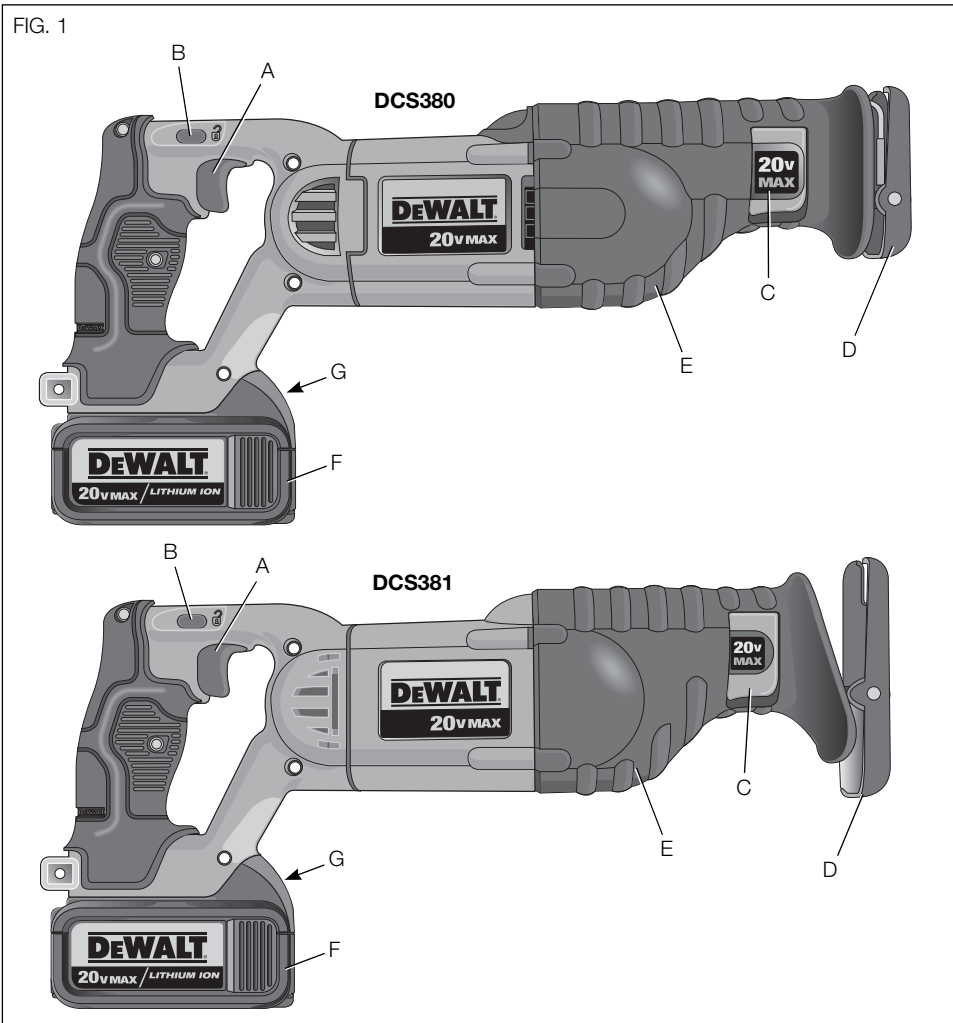
**▲CAUTION:** Burn hazard. To reduce the risk of injury, charge only DEWALT rechargeable battery packs. Other types of batteries may overheat and burst resulting in personal injury and property damage.

**NOTICE:** Under certain conditions, with the charger plugged into the power supply, the charger can be shorted by foreign material. Foreign materials of a conductive nature, such as, but not limited to, grinding dust, metal chips, steel wool, aluminum foil or any buildup of metallic particles should be kept away from the charger cavities. Always unplug the charger from the power supply when there is no battery pack in the cavity. Unplug the charger before attempting to clean.

- DO NOT attempt to charge the battery pack with any chargers other than the ones in this manual. The charger and battery pack are specifically designed to work together.
- These chargers are not intended for any uses other than charging DEWALT rechargeable batteries. Any other uses may result in risk of fire, electric shock or electrocution.
- Do not expose the charger to rain or snow.
- Pull by the plug rather than the cord when disconnecting the charger. This will reduce the risk of damage to the electric plug and cord.
- Make sure that the cord is located so that it will not be stepped on, tripped over or otherwise subjected to damage or stress.
- Do not use an extension cord unless it is absolutely necessary. Use of improper extension cord could result in risk of fire, electric shock or electrocution.
- When operating a charger outdoors, always provide a dry location and use an extension cord suitable for outdoor use. Use of a cord suitable for outdoor use reduces the risk of electric shock.
- An extension cord must have adequate wire size (AWG or American Wire Gauge) for safety. The smaller the gauge number of the wire, the greater the capacity of the cable, that is, 16 gauge has more capacity than 18 gauge. An undersized cord will cause a drop in line voltage resulting in loss of power and overheating. When using more than one extension to make up the total length, be sure each individual extension contains at least the minimum wire size. The following table shows the correct size to use depending on cord length and nameplate ampere rating. If in doubt, use the next heavier gauge. The lower the gauge number, the heavier the cord.

Minimum Gauge for Cord Sets						
Ampere Rating		Volts	Total Length of Cord in Feet (meters)			
		120V	25 (7.6)	50 (15.2)	100 (30.5)	150 (45.7)
		240V	50 (15.2)	100 (30.5)	200 (61.0)	300 (91.4)
More Than	Not More Than	AWG				
0	6	18	16	16	14	
6	10	18	16	14	12	
10	12	16	16	14	12	
12	16	14	12	Not Recommended		





- **Do not place any object on top of the charger or place the charger on a soft surface that might block the ventilation slots and result in excessive internal heat. Place the charger in a position away from any heat source. The charger is ventilated through slots in the top and the bottom of the housing.**
- **Do not operate the charger with a damaged cord or plug.**
- **Do not operate the charger if it has received a sharp blow, been dropped or otherwise damaged in any way. Take it to an authorized service center.**
- **Do not disassemble the charger; take it to an authorized service center when service or repair is required. Incorrect reassembly may result in a risk of electric shock, electrocution or fire.**
- **Disconnect the charger from the outlet before attempting any cleaning. This will reduce the risk of electric shock. Removing the battery pack will not reduce this risk.**
- **NEVER attempt to connect 2 chargers together.**
- **The charger is designed to operate on standard 120V household electrical power. Do not attempt to use it on any other voltage. This does not apply to the vehicular charger.**

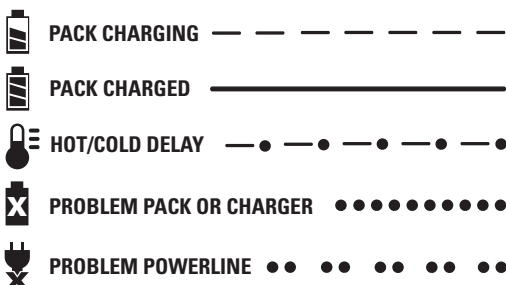
### Chargers

Your tool uses a DEWALT charger. Be sure to read all safety instructions before using your charger. Consult the chart at the end of this manual for compatibility of chargers and battery packs.

### Charging Procedure (Fig. 2)

1. Plug the charger into an appropriate outlet before inserting the battery pack.
2. Insert the battery pack (F) into the charger, as shown in Figure 2, making sure the pack is fully seated in charger. The red (charging) light will blink continuously, indicating that the charging process has started.
3. The completion of charge will be indicated by the red light remaining ON continuously. The pack is fully charged and may be used at this time or left in the charger.

### Indicator Light Operation



### Charge Indicators

This charger is designed to detect certain problems that can arise. Problems are indicated by the red light flashing at a fast rate. If this occurs, re-insert the battery pack into the charger. If the problem persists, try a different battery pack to determine if the charger is working properly. If the new pack charges correctly, then the original pack is defective and should be returned to a service center or other collection site for recycling. If the new battery pack elicits the same trouble indication as the original, have the charger and the battery pack tested at an authorized service center.

### HOT/COLD DELAY

This charger has a hot/cold delay feature: when the charger detects a battery that is hot, it automatically starts a delay, suspending charging until the battery has cooled. After the battery has cooled, the charger automatically switches to the pack charging mode. This feature ensures maximum battery life. The red light flashes long, then short while in the hot/cold delay mode.

### LEAVING THE BATTERY PACK IN THE CHARGER

The charger and battery pack can be left connected with the charge indicator showing Pack Charged.

**WEAK BATTERY PACKS:** Weak batteries will continue to function but should not be expected to perform as much work.

**FAULTY BATTERY PACKS:** This charger will not charge a faulty battery pack. The charger will indicate faulty battery pack by refusing to light or by displaying problem pack or charger.

**NOTE:** This could also mean a problem with a charger.

### PROBLEM POWER LINE

Some chargers have a problem powerline indicator. When the charger is used with some portable power sources such as generators or sources that convert DC to AC, the charger may temporarily suspend operation, flashing the red light with two fast blinks followed by a pause. This indicates the power source is out of limits.

### Important Charging Notes

1. Longest life and best performance can be obtained if the battery pack is charged when the air temperature is between 65 °F and 75 °F (18 °–24 °C). DO NOT charge the battery pack in an air temperature below +40 °F (+4.5 °C), or above +105 °F (+40.5 °C). This is important and will prevent serious damage to the battery pack.
2. The charger and battery pack may become warm to the touch while charging. This is a normal condition, and does not indicate a problem. To facilitate the cooling of the battery pack after use, avoid placing the charger or battery pack in a warm environment such as in a metal shed or an uninsulated trailer.
3. A cold battery pack will charge at about half the rate of a warm battery pack. The battery pack will charge at that slower rate throughout the entire charging cycle and will not return to maximum charge rate even if the battery pack warms.
4. If the battery pack does not charge properly:
  - a. Check operation of receptacle by plugging in a lamp or other appliance;
  - b. Check to see if receptacle is connected to a light switch which turns power off when you turn out the lights;
  - c. Move the charger and battery pack to a location where the surrounding air temperature is approximately 65 °F–75 °F (18 °–24 °C);
  - d. If charging problems persist, take the tool, battery pack and charger to your local service center.
5. The battery pack should be recharged when it fails to produce sufficient power on jobs which were easily done previously. DO NOT CONTINUE to use under these conditions. Follow the charging procedure. You may also charge a partially used pack whenever you desire with no adverse effect on the battery pack.
6. Foreign materials of a conductive nature such as, but not limited to, grinding dust, metal chips, steel wool, aluminum foil, or any buildup of metallic particles should be kept away from charger cavities. Always unplug the charger from the power supply when there is no battery pack in the cavity. Unplug the charger before attempting to clean.
7. Do not freeze or immerse the charger in water or any other liquid.

**⚠WARNING:** Shock hazard. Don't allow any liquid to get inside the charger. Electric shock may result.

**⚠WARNING:** Burn hazard. Do not submerge the battery pack in any liquid or allow any liquid to enter the battery pack. Never attempt to open the battery pack for any reason. If the plastic housing of the battery pack breaks or cracks, return to a service center for recycling.

### Storage Recommendations

1. The best storage place is one that is cool and dry, away from direct sunlight and excess heat or cold.
2. For long storage, it is recommended to store a fully charged battery pack in a cool dry place out of the charger for optimal results.

**NOTE:** Battery packs should not be stored completely depleted of charge. The battery pack will need to be recharged before use.

### SAVE THESE INSTRUCTIONS FOR FUTURE USE

### COMPONENTS (Fig. 1)

**⚠WARNING:** Never modify the power tool or any part of it. Damage or personal injury could result.

- |                              |                           |
|------------------------------|---------------------------|
| A. Trigger switch            | E. Hand grip              |
| B. Lock-off button           | F. Battery pack           |
| C. Blade clamp release lever | G. Battery release button |
| D. Shoe                      |                           |

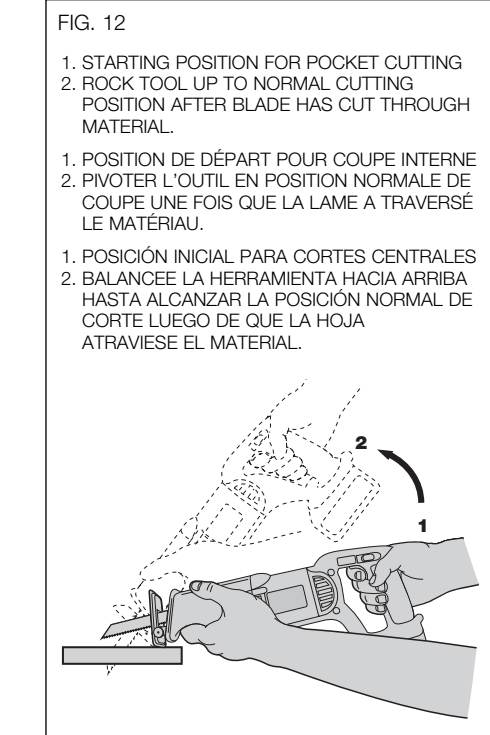
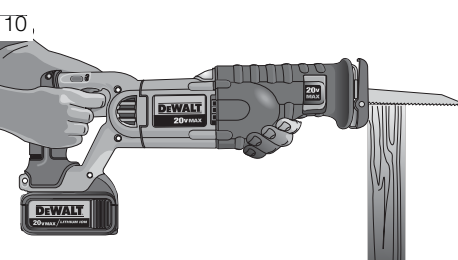
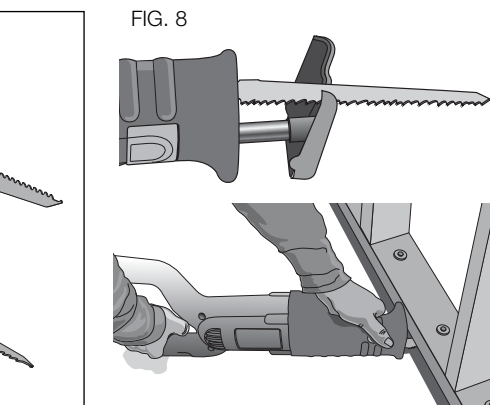
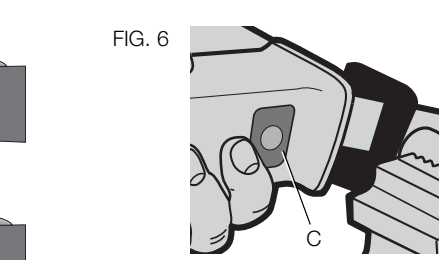
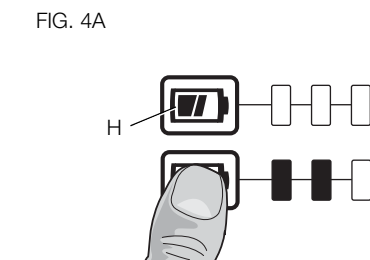
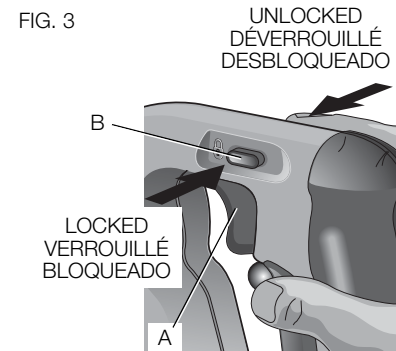
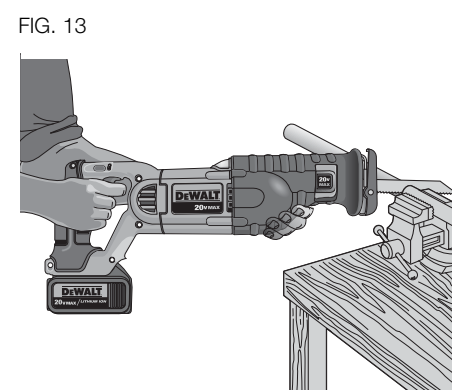
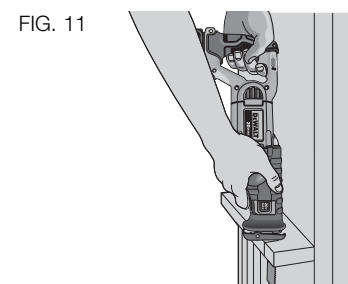
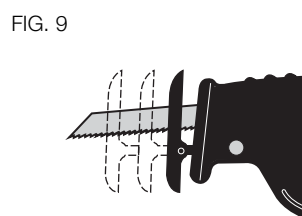
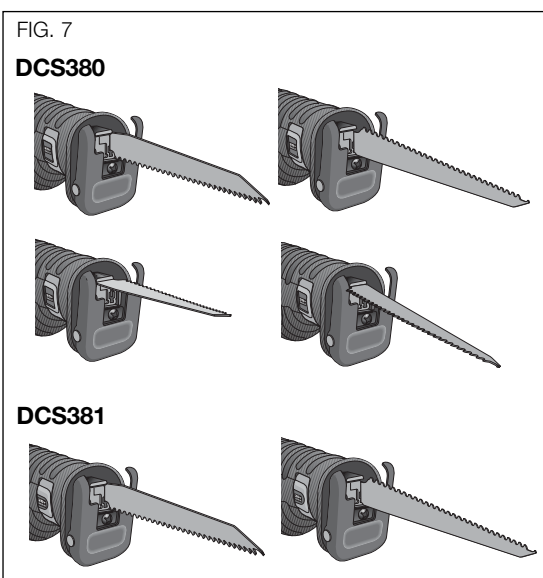
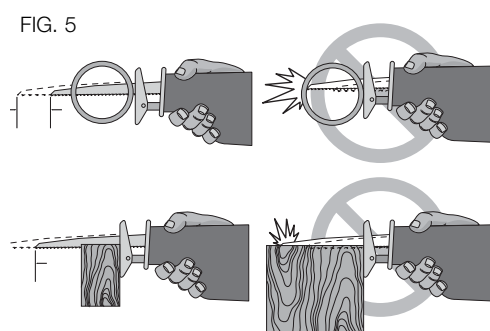
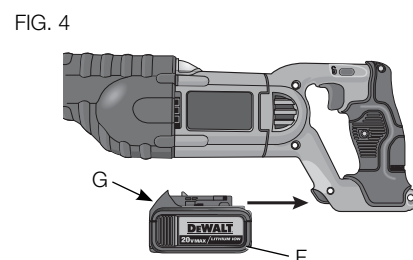
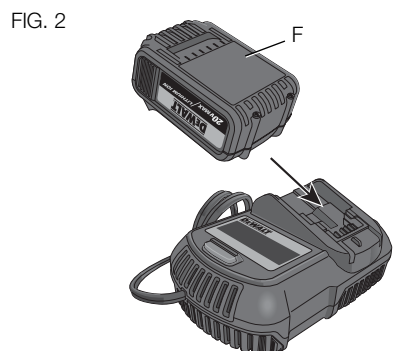
### Variable Speed Trigger Switch (Fig. 1, 3)

#### LOCK-OFF BUTTON AND TRIGGER SWITCH

Your saw is equipped with a lock-off button (B).

**To lock the trigger switch,** press the lock-off button as shown in Figure 3. Always lock the trigger switch (A) when carrying or storing the tool to eliminate unintentional starting. The lock-off button is colored **red** to indicate when the switch is in its **unlocked** position.

**To unlock the trigger switch,** press the lock-off button as shown in Figure 3. Pull the trigger switch to turn the motor ON. Releasing the trigger switch turns the motor OFF.



**⚠WARNING:** This tool has no provision to lock the switch in the ON position, and should never be locked ON by any other means.

The variable speed trigger switch will give you added versatility. The further the trigger is depressed the higher the speed of the saw.

**⚠CAUTION:** Use of very slow speed is recommended only for beginning a cut. Prolonged use at very slow speed may damage your saw.

### OPERATION

**⚠WARNING:** To reduce the risk of serious personal injury, turn tool off and disconnect tool from power source before making any adjustments or removing/installing attachments or accessories. An accidental start-up can cause injury.

### Installing and Removing the Battery Pack (Fig. 4)

**⚠WARNING:** To reduce the risk of injury, never depress the battery release button without removing the battery pack. Depressing the battery release button without removing the battery pack can result in the battery pack falling out unexpectedly.

**NOTE:** For best results, make sure your battery pack is fully charged.

To install the battery pack (F) into the tool handle, align the battery pack with the rails inside the tool's handle and slide it into the handle until the battery pack is firmly seated in the tool and ensure that it does not disengage.

To remove the battery pack from the tool, press the release button (G) and firmly pull the battery pack out of the tool handle. Insert it into the charger as described in the charger section of this manual.

### FUEL GAUGE BATTERY PACKS (FIG. 4A)

Some DEWALT battery packs include a fuel gauge which consists of three green LED lights that indicate the level of charge remaining in the battery pack.

To actuate the fuel gauge, press and hold the fuel gauge button (H). A combination of the three green LED lights will illuminate designating the level of charge left. When the level of charge in the battery is below the usable limit, the fuel gauge will not illuminate and the battery will need to be recharged.

**NOTE:** The fuel gauge is only an indication of the charge left on the battery pack. It does not indicate tool functionality and is subject to variation based on product components, temperature and end-user application.

For more information regarding fuel gauge battery packs, please call 1-800-4-DEWALT (1-800-433-9258) or visit our website [www.dewalt.com](http://www.dewalt.com).

### Blade Installation and Removal (Fig. 5–7, 11)

**⚠WARNING:** To reduce the risk of serious personal injury, turn tool off and disconnect tool from power source before making any adjustments or removing/installing attachments or accessories. An accidental start-up can cause injury.

Different blade lengths are available. Use the appropriate blade for the application. The blade should be longer than 3-1/2" (89 mm) and should extend past the shoe and the thickness of the workpiece during the cut. Do not use jigsaw blades with this tool.

**⚠WARNING:** Cut hazard. Blade breakage may occur if the blade does not extend past the shoe and the workpiece during the cut (Fig. 5). Increased risk of personal injury, as well as damage to the shoe and workpiece may result.

#### TO INSTALL BLADE INTO SAW

1. Pull blade clamp release lever (C) up (Fig. 6).
2. Insert blade shank from the front.
3. Push blade clamp release lever down.

**NOTE:** The blade can be installed in the DCS380 in four positions as shown in Figure 7. The blade can be installed in the DCS381 in two positions as shown in Figure 7. Both units allow the blade to be installed upside-down to assist in flush-to cutting; see Figure 11.

#### TO REMOVE BLADE FROM SAW

**⚠CAUTION:** Burn hazard. Do not touch the blade immediately after use. Contact with the blade may result in personal injury.

1. Open up blade clamp release lever.
2. Remove blade.

### Cutting with Blade in Horizontal Position (DCS380 only) (Fig. 8)

Your DCS380 is equipped with a horizontal blade clamp. Installing a blade in the horizontal orientation allows cutting close to floors, walls or ceilings where limited clearance is available. Ensure that the shoe is pressed against the framing to avoid kickback.

### Adjustable Shoe (DCS380 only) (Fig. 1, 9)

**⚠CAUTION:** Cut hazard. To prevent loss of control, never use tool without shoe.

Your DCS380 comes with an adjustable shoe. The shoe will adjust to limit the depth of cut. Hold the saw with the underside facing up. Push the button on the hand grip and slide the shoe out to one of the three settings and release the button.

The DCS381 comes with a fixed shoe that is not adjustable.



## Cutting (Fig. 10–13)

**⚠WARNING: Always use eye protection.** All users and bystanders must wear eye protection that conforms to ANSI Z87.1.

**⚠WARNING:** Exercise extra caution when cutting towards operator. Always hold saw firmly with both hands while cutting.

Before cutting any type of material, be sure it is firmly anchored or clamped to prevent slipping. Place blade lightly against work to be cut, switch on saw motor and allow it to obtain maximum speed before applying pressure. Whenever possible, the saw shoe must be held firmly against the material being cut (Fig. 10). This will prevent the saw from jumping or vibrating and minimize blade breakage. Any cuts which put pressure on the blade such as angle or scroll cuts increase potential for vibration, kickback, and blade breakage.

**⚠WARNING:** Use extra caution when cutting overhead and pay particular attention to overhead wires which may be hidden from view. Anticipate the path of falling branches and debris ahead of time.

**⚠WARNING:** Inspect work site for hidden gas pipes, water pipes, or electrical wires before making blind or plunge cuts. Failure to do so may result in explosion, property damage, electric shock, and/or serious personal injury.

### FLUSH-TO CUTTING (FIG. 11)

The compact design of the saw motor housing and spindle housing permits extremely close cutting to floors, corners and other difficult areas.

### POCKET/PLUNGE CUTTING – WOOD ONLY (FIG. 12)

The initial step in pocket cutting is to measure the surface area to be cut and mark clearly with a pencil, chalk or scribe. Use the appropriate blade for the application. The blade should be longer than 3-1/2" (89 mm) and should extend past the shoe and the thickness of the workpiece during the cut. Insert blade in blade clamp.

Next, tip the saw backward until the back edge of the shoe is resting on the work surface and the blade clears the work surface (position 1, Fig. 12). Now switch motor on, and allow saw to come up to speed. Grip saw firmly with both hands and begin a slow, deliberate upward swing with the handle of the saw, keeping the bottom of the shoe firmly in contact with the workpiece (position 2, Fig. 12). Blade will begin to feed into material. Always be sure blade is completely through material before continuing with pocket cut.

**NOTE:** In areas where blade visibility is limited, use the edge of the saw shoe as a guide. Lines for any given cut should be extended beyond edge of cut to be made.

### METAL CUTTING (FIG. 13)

Your saw has different metal cutting capacities depending upon type of blade used and the metal to be cut. Use a finer blade for ferrous metals and a coarse blade for non-ferrous materials. In thin gauge sheet metals it is best to clamp wood to both sides of sheet. This will insure a clean cut without excess vibration or tearing of metal. Always remember not to force cutting blade as this reduces blade life and causes costly blade breakage.

**NOTE:** It is generally recommended that when cutting metals you should spread a thin film of oil or other lubricant along the line ahead of the saw cut for easier operation and longer blade life.

## MAINTENANCE

**⚠WARNING: To reduce the risk of serious personal injury, turn tool off and disconnect tool from power source before making any adjustments or removing/installing attachments or accessories.** An accidental start-up can cause injury.

### Cleaning

**⚠WARNING:** Blow dirt and dust out of all air vents with clean, dry air at least once a week. To minimize the risk of eye injury, always wear ANSI Z87.1 approved eye protection when performing this.

**⚠WARNING:** Never use solvents or other harsh chemicals for cleaning the non-metallic parts of the tool. These chemicals may weaken the plastic materials used in these parts. Use a cloth dampened only with water and mild soap. Never let any liquid get inside the tool; never immerse any part of the tool into a liquid.

### CHARGER CLEANING INSTRUCTIONS

**⚠WARNING:** Shock hazard. Disconnect the charger from the AC outlet before cleaning. Dirt and grease may be removed from the exterior of the charger using a cloth or soft non-metallic brush. Do not use water or any cleaning solutions.

## Accessories

**⚠WARNING:** Since accessories, other than those offered by DEWALT, have not been tested with this product, use of such accessories with this tool could be hazardous. To reduce the risk of injury, only DEWALT recommended accessories should be used with this product.

Recommended accessories for use with your tool are available at extra cost from your local service center. If you need any assistance in locating any accessory, please contact DEWALT Industrial Tool Co., 701 East Joppa Road, Baltimore, MD 21286, call 1-800-4-DEWALT (1-800-433-9258) or visit our website [www.dewalt.com](http://www.dewalt.com).

## Repairs

The charger and battery pack are not serviceable. There are no serviceable parts inside the charger or battery pack.

To assure product SAFETY and RELIABILITY, repairs, maintenance and adjustments (including brush inspection and replacement) should be performed by a DEWALT factory service center, a DEWALT authorized service center or other qualified service personnel. Always use identical replacement parts.

## Three Year Limited Warranty

DEWALT will repair, without charge, any defects due to faulty materials or workmanship for three years from the date of purchase. This warranty does not cover part failure due to normal wear or tool abuse. For further detail of warranty coverage and warranty repair information, visit [www.dewalt.com](http://www.dewalt.com) or call 1-800-4-DEWALT (1-800-433-9258). This warranty does not apply to accessories or damage caused where repairs have been made or attempted by others. This warranty gives you specific legal rights and you may have other rights which vary in certain states or provinces.

In addition to the warranty, DEWALT tools are covered by our:

### 1 YEAR FREE SERVICE

DEWALT will maintain the tool and replace worn parts caused by normal use, for free, any time during the first year after purchase.

### 2 YEARS FREE SERVICE ON DEWALT BATTERY PACKS

DC9071, DC9091, DC9096, DC9280, DC9360, DC9180, DCB120 and DCB201

### 3 YEARS FREE SERVICE ON DEWALT BATTERY PACKS

DCB200

### DEWALT BATTERY PACKS

Product warranty voided if the battery pack is tampered with in any way. DEWALT is not responsible for any injury caused by tampering and may prosecute warranty fraud to the fullest extent permitted by law.

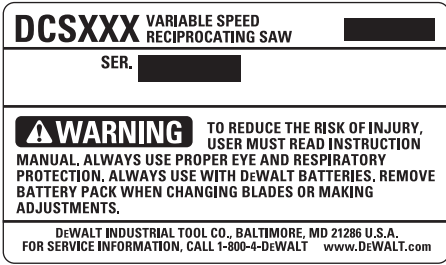
### 90 DAY MONEY BACK GUARANTEE

If you are not completely satisfied with the performance of your DEWALT Power Tool, Laser, or Nailer for any reason, you can return it within 90 days from the date of purchase with a receipt for a full refund – no questions asked.

**LATIN AMERICA:** This warranty does not apply to products sold in Latin America. For products sold in Latin America, see country specific warranty information contained in the packaging, call the local company or see website for warranty information.

### FREE WARNING LABEL REPLACEMENT:

If your warning labels become illegible or are missing, call 1-800-4-DEWALT (1-800-433-9258) for a free replacement.



## Définitions : lignes directrices en matière de sécurité

Les définitions ci-dessous décrivent le niveau de danger pour chaque mot-indicateur employé. Lire le mode d'emploi et porter une attention particulière à ces symboles.

**⚠DANGER** : indique une situation dangereuse imminente qui, si elle n'est pas évitée, entraînera la mort ou des blessures graves.

**⚠AVERTISSEMENT** : indique une situation potentiellement dangereuse qui, si elle n'est pas évitée, pourrait entraîner la mort ou des blessures graves.

**⚠ATTENTION** : indique une situation potentiellement dangereuse qui, si elle n'est pas évitée, pourrait entraîner des blessures légères ou modérées.

**AVIS** : indique une pratique ne posant aucun risque de dommages corporels mais qui par contre, si rien n'est fait pour l'éviter, pourrait poser des risques de dommages matériels.

POUR TOUTE QUESTION OU REMARQUE AU SUJET DE CET OUTIL OU DE TOUT AUTRE OUTIL DEWALT, COMPOSEZ LE NUMÉRO SANS FRAIS : **1 800 433-9258 (1 800 4-DEWALT)**.

**⚠AVERTISSEMENT** : afin de réduire le risque de blessures, lire le mode d'emploi de l'outil.

## Avertissements de sécurité généraux pour les outils électriques

**⚠AVERTISSEMENT ! Lire tous les avertissements de sécurité et toutes les directives.** Le non-respect des avertissements et des directives pourrait se solder par un choc électrique, un incendie et/ou une blessure grave.

## CONSERVER TOUS LES AVERTISSEMENTS ET TOUTES LES DIRECTIVES POUR UN USAGE ULTÉRIEUR

Le terme « outil électrique » cité dans les avertissements se rapporte à votre outil électrique à alimentation sur secteur (avec fil) ou par piles (sans fil).

### 1) SÉCURITÉ DU LIEU DE TRAVAIL

- Tenir l'aire de travail propre et bien éclairée.** Les lieux encombrés ou sombres sont propices aux accidents.
- Ne pas faire fonctionner d'outils électriques dans un milieu déflagrant, tel qu'en présence de liquides, de gaz ou de poussières inflammables.** Les outils électriques produisent des étincelles qui pourraient enflammer la poussière ou les vapeurs.
- Éloigner les enfants et les personnes à proximité pendant l'utilisation d'un outil électrique.** Une distraction pourrait en faire perdre la maîtrise à l'utilisateur.

### 2) SÉCURITÉ EN MATIÈRE D'ÉLECTRICITÉ

- Les fiches des outils électriques doivent correspondre à la prise. Ne jamais modifier la fiche d'aucune façon. Ne jamais utiliser de fiche d'adaptation avec un outil électrique mis à la terre.** Le risque de choc électrique sera réduit par l'utilisation de fiches non modifiées correspondant à la prise.
- Éviter tout contact physique avec des surfaces mises à la terre comme des tuyaux, des radiateurs, des cuisinières et des réfrigérateurs.** Le risque de choc électrique est plus élevé si votre corps est mis à la terre.

c) **Ne pas exposer les outils électriques à la pluie ou à l'humidité.** La pénétration de l'eau dans un outil électrique augmente le risque de choc électrique.

d) **Ne pas utiliser le cordon de façon abusive. Ne jamais utiliser le cordon pour transporter, tirer ou débrancher un outil électrique. Tenir le cordon éloigné de la chaleur, de l'huile, des bords tranchants et des pièces mobiles.** Les cordons endommagés ou enchevêtrés augmentent les risques de choc électrique.

e) **Pour l'utilisation d'un outil électrique à l'extérieur, se servir d'une rallonge convenant à cette application.** L'utilisation d'une rallonge conçue pour l'extérieur réduira les risques de choc électrique.

f) **S'il est impossible d'éviter l'utilisation d'un outil électrique dans un endroit humide, brancher l'outil dans une prise ou sur un circuit d'alimentation dotés d'un disjoncteur de fuite à la terre (GFCI).** L'utilisation de ce type de disjoncteur réduit les risques de choc électrique.

### 3) SÉCURITÉ PERSONNELLE

- Être vigilant, surveiller le travail effectué et faire preuve de jugement lorsqu'un outil électrique est utilisé. Ne pas utiliser d'outil électrique en cas de fatigue ou sous l'influence de drogues, d'alcool ou de médicaments.** Un simple moment d'inattention en utilisant un outil électrique peut entraîner des blessures corporelles graves.
- Utiliser des équipements de protection individuelle. Toujours porter une protection oculaire.** L'utilisation d'équipements de protection comme un masque antipoussière, des chaussures antidérapantes, un casque de sécurité ou des protecteurs auditifs lorsque la situation le requiert réduira les risques de blessures corporelles.
- Empêcher les démarrages intempestifs. S'assurer que l'interrupteur se trouve à la position d'arrêt avant de relier l'outil à une source d'alimentation et/ou d'insérer un bloc-piles, de ramasser ou de transporter l'outil.** Transporter un outil électrique alors que le doigt repose sur l'interrupteur ou brancher un outil électrique dont l'interrupteur est à la position de marche risque de provoquer un accident.
- Retirer toute clé de réglage ou clé avant de démarrer l'outil.** Une clé ou une clé de réglage attachée à une partie pivotante de l'outil électrique peut provoquer des blessures corporelles.
- Ne pas trop tendre les bras. Conserver son équilibre en tout temps.** Cela permet de mieux maîtriser l'outil électrique dans les situations imprévues.
- S'habiller de manière appropriée. Ne pas porter de vêtements amples ni de bijoux. Garder les cheveux, les vêtements et les gants à l'écart des pièces mobiles.** Les vêtements amples, les bijoux ou les cheveux longs risquent de rester coincés dans les pièces mobiles.
- Si des composants sont fournis pour le raccordement de dispositifs de dépoussiérage et de ramassage, s'assurer que ceux-ci sont bien raccordés et utilisés.** L'utilisation d'un dispositif de dépoussiérage peut réduire les dangers engendrés par les poussières.

### 4) UTILISATION ET ENTRETIEN D'UN OUTIL ÉLECTRIQUE

- Ne pas forcer un outil électrique. Utiliser l'outil électrique approprié à l'application.** L'outil électrique approprié effectuera un meilleur travail, de façon plus sûre et à la vitesse pour laquelle il a été conçu.
- Ne pas utiliser un outil électrique dont l'interrupteur est défectueux.** Tout outil électrique dont l'interrupteur est défectueux est dangereux et doit être réparé.
- Débrancher la fiche de la source d'alimentation et/ou du bloc-piles de l'outil électrique avant de faire tout réglage ou changement d'accessoire ou avant de ranger l'outil.** Ces mesures préventives réduisent les risques de démarrage accidentel de l'outil électrique.
- Ranger les outils électriques hors de la portée des enfants et ne permettre à aucune personne n'étant pas familière avec un outil électrique ou son mode d'emploi d'utiliser cet outil.** Les outils électriques deviennent dangereux entre les mains d'utilisateurs inexpérimentés.
- Entretien des outils électriques. Vérifier si les pièces mobiles sont mal alignées ou coincées, si des pièces sont brisées ou présentent toute autre condition susceptible de nuire au bon fonctionnement de l'outil électrique. En cas de dommage, faire réparer l'outil électrique avant toute nouvelle utilisation.** Beaucoup d'accidents sont causés par des outils électriques mal entretenus.
- S'assurer que les outils de coupe sont aiguisés et propres.** Les outils de coupe bien entretenus et affûtés sont moins susceptibles de se coincer et sont plus faciles à maîtriser.
- Utiliser l'outil électrique, les accessoires, les forets, etc. conformément aux présentes directives en tenant compte des conditions de travail et du travail à effectuer.** L'utilisation d'un outil électrique pour toute opération autre que celle pour laquelle il a été conçu est dangereuse.

### 5) UTILISATION ET ENTRETIEN DU BLOC-PILES

- Ne recharger l'outil qu'au moyen du chargeur précisé par le fabricant.** L'utilisation d'un chargeur qui convient à un type de bloc-piles risque de provoquer un incendie s'il est utilisé avec un autre type de bloc-piles.
- Utiliser les outils électriques uniquement avec les blocs-piles conçus à cet effet.** L'utilisation de tout autre bloc-piles risque de causer des blessures ou un incendie.
- Lorsque le bloc-piles n'est pas utilisé, le tenir éloigné des objets métalliques, notamment des trombones, de la monnaie, des clés, des clous, des vis ou autres petits objets métalliques qui peuvent établir une connexion entre les deux bornes.** Le court-circuit des bornes du bloc-piles risque de provoquer des brûlures ou un incendie.
- En cas d'utilisation abusive, le liquide peut gicler hors du bloc-piles; éviter tout contact avec ce liquide. Si un contact accidentel se produit, laver à grande eau. Si le liquide entre en contact avec les yeux, obtenir également des soins médicaux.** Le liquide qui gicle hors du bloc-piles peut provoquer des irritations ou des brûlures.

### 6) RÉPARATION

- Faire réparer l'outil électrique par un réparateur professionnel en n'utilisant que des pièces de rechange identiques.** Cela permettra de maintenir une utilisation sécuritaire de l'outil électrique.

## Règles particulières additionnelles de sécurité propres aux scies alternatives

- Tenir l'outil par les surfaces isolées prévues à cet effet pendant toute utilisation où l'organe de coupe pourrait entrer en contact avec des fils électriques cachés.** Tout contact de l'organe de coupe avec un fil sous tension mettra les parties métalliques exposées de l'outil sous tension et électrocuttera l'utilisateur.
- Utilisez des serres de fixation ou un autre dispositif de fixation permettant de soutenir et de retenir la pièce sur une plate-forme stable.** Tenir la pièce avec la main ou contre son corps n'est pas suffisamment stable et risque de provoquer une perte de maîtrise de l'outil.
- Maintenir la scie fermement à deux mains lors de toute coupe.** Pendant la découpe, la lame pourrait soudainement se bloquer dans la pièce à travailler et causer un rebond de la scie vers l'utilisateur.
- Tenir les mains à l'écart de toute pièce mobile.** Ne jamais approcher les mains des zones de coupes.
- Prendre des précautions supplémentaires pour découper au-dessus de la tête. Faire particulièrement attention aux fils électriques qui pourraient y être dissimulés.** Anticiper toute chute de branches ou débris.
- Ne pas utiliser cet outil pendant des périodes prolongées.** Les vibrations causées par l'action de fonctionnement de l'outil peuvent blesser en permanence les doigts, les mains et les bras. Porter des gants pour amortir les vibrations, faire des pauses fréquentes et limiter le temps d'utilisation quotidien de l'outil.

**⚠AVERTISSEMENT : TOUJOURS** porter des lunettes de sécurité. Les lunettes de vue ne constituent PAS des lunettes de sécurité. Utiliser également un masque facial ou anti-poussière si l'opération de découpe génère de la poussière. TOUJOURS UTILISER DE L'ÉQUIPEMENT DE PROTECTION HOMOLOGUÉ :

- protection oculaire conforme à la norme ANSI Z87.1 (CAN/CSA Z94.3),
- protection auditive conforme à la norme ANSI S12.6 (S3.19) et
- protection des voies respiratoires conformes aux normes NIOSH/OSHA.

**⚠AVERTISSEMENT** : les scies, meules, perceuses, perceuses ou autres outils de construction peuvent produire des poussières contenant des produits chimiques reconnus par l'État californien pour causer cancers, malformations congénitales ou être nocifs au système reproducteur. Parmi ces produits chimiques, on retrouve :

- Le plomb dans les peintures à base de plomb;
- La silice cristallisée dans les briques et le ciment, ou autres produits de maçonnerie; et
- L'arsenic et le chrome dans le bois ayant subi un traitement chimique.

Le risque associé à ces expositions varie selon la fréquence de ces types de travaux. Pour réduire l'exposition aux produits chimiques : travailler dans un local bien ventilé et utiliser du matériel de sécurité approuvé, comme les masques antipoussières spécialement conçus pour filtrer les particules microscopiques.

- Éviter le contact prolongé avec la poussière provenant du ponçage, du sciage, du meulage et du forage mécanique ainsi que d'autres activités de construction. Porter des vêtements de protection et laver les parties exposées au savon et à l'eau.** La poussière qui pourrait pénétrer dans la bouche et les yeux ou se déposer sur la peau peut favoriser l'absorption de produits chimiques nocifs.

**⚠AVERTISSEMENT** : Cet outil peut produire et répandre de la poussière susceptible de causer des dommages sérieux et permanents au système respiratoire. Toujours utiliser un appareil respiratoire anti-poussières approuvé par le NIOSH ou l'OSHA. Diriger les particules dans le sens opposé du visage et du corps.

**⚠AVERTISSEMENT** : Toujours porter une protection auditive appropriée conformément à la norme ANSI S12.6 (S3.19) lors de l'utilisation du produit. Dans certaines conditions et selon la durée d'utilisation, le bruit émis par ce produit peut contribuer à une perte auditive.

**⚠ATTENTION** : Après utilisation, ranger l'outil sur son côté sur une surface stable là où il ne pourra faire ni trébucher ni tomber personne. Certains outils équipés d'un large bloc-pile peuvent tenir à la verticale sur ce dernier mais ils sont alors facilement déstabilisés.

- L'étiquette apposée sur votre outil peut comprendre les symboles suivants. Les symboles et leurs définitions sont indiqués ci-après :

V.....volts	A.....ampères
Hz.....hertz	W.....watts
min.....minutes	~ .....courant alternatif
— — .....courant continu	∞ .....courant alternatif ou continu
Ⓛ .....Classe I fabrication (mis à la terre)	Ⓜ .....vitesse à vide
Ⓛ .....fabrication Classe II (double isolation)	Ⓟ .....borne de terre
.../min .....par minute	⚠ .....symbole d'avertissement
IPM.....impacts par minute	BPM.....battements par minute
	r/min .....tours par minute

## Consignes de sécurité importantes propres à tous les blocs-piles

Pour commander un bloc-piles de rechange, s'assurer d'inclure son numéro de catalogue et sa tension. Consulter le tableau en dernière page de ce manuel pour connaître les compatibilités entre chargeurs et blocs-piles.

Le bloc-piles n'est pas totalement chargé d'usine. Avant d'utiliser le bloc-piles et le chargeur, lire les consignes de sécurité ci-dessous. Puis suivre la procédure de charge indiquée.

### LIRE TOUTES LES CONSIGNES

- Ne pas recharger ou utiliser un bloc-piles en milieu déflagrant, en présence, par exemple, de poussières, gaz ou liquides inflammables.** Le fait d'insérer ou retirer un bloc-piles de son chargeur pourrait causer l'inflammation de poussières ou d'émanations.
- NE JAMAIS forcer l'insertion d'un bloc-piles dans un chargeur. Ne modifier un bloc-piles d'AUCUNE façon pour le faire rentrer dans un chargeur incompatible, car il pourrait se briser et causer des dommages corporels graves.** Consulter le tableau en dernière page de ce manuel pour connaître les compatibilités entre chargeurs et blocs-piles.



- Recharger les blocs-piles exclusivement dans des chargeurs DEWALT.
- NE PAS** éclabousser le bloc-piles ou l’immerger dans l’eau ou dans tout autre liquide.
- Ne pas entreposer ou utiliser l’appareil et le bloc-piles en présence de températures ambiantes pouvant excéder 40 °C (105 °F) (comme dans des hangars ou des bâtiments métalliques l’été).** Pour préserver leur durée de vie, entreposer les blocs-piles dans un endroit frais et sec.

**REMARQUE : ne pas mettre un bloc-piles dans un outil dont la gâchette est verrouillée en position de marche. Ne jamais bloquer l’interrupteur en position de MARCHÉ.**

**⚠AVERTISSEMENT : risques d’incendie.** Ne jamais tenter d’ouvrir le bloc-piles pour quelque raison que ce soit. Si le boîtier du bloc-piles est fissuré ou endommagé, ne pas l’insérer dans un chargeur. Ne pas écraser, laisser tomber, ou endommager les blocs-piles. Ne pas utiliser un bloc-piles ou un chargeur qui a reçu un choc violent, ou si l’appareil est tombé, a été écrasé ou endommagé de quelque façon que ce soit (p. ex. percé par un clou, frappé d’un coup de marteau, piétiné). Les blocs-piles endommagés doivent être renvoyés à un centre de réparation pour y être recyclés.

**⚠AVERTISSEMENT : risques d’incendie. Au moment de ranger ou transporter le bloc-piles, s’assurer qu’aucun objet métallique n’entre en contact avec les bornes à découvert du bloc-piles.** Par exemple, éviter de placer un bloc-piles dans un tablier, une poche, une boîte à outils ou un tiroir, etc. contenant des objets tels que des clous, des vis, des clés, etc. **Le fait de transporter des bloc-piles comporte des risques d’incendie, car les bornes des piles pourraient entrer, par inadvertance, en contact avec des objets conducteurs, tels que : clés, pièces de monnaie, outils ou autres.** La réglementation sur les produits dangereux (Hazardous Material Regulations) du département américain des transports interdit, en fait, le transport des piles pour le commerce ou dans les avions (ex : dans les bagages enregistrés ou à main) À MOINS qu’elles ne soient correctement protégées contre tout court-circuit. Aussi lors du transport individuel de blocs-piles, s’assurer que leurs bornes sont bien protégées et isolées de tout matériau pouvant entrer en contact avec elles et provoquer un court-circuit.

**CONSIGNES DE SÉCURITÉ PROPRES AUX PILES AU LITHIUM-ION (Li-Ion)**

- Ne pas incinérer le bloc-piles même s’il est sévèrement endommagé ou complètement usagé,** car il pourrait exploser et causer un incendie. Pendant l’incinération des blocs-piles au lithium-ion, des vapeurs et matières toxiques sont dégagées.
- En cas de contact du liquide de la pile avec la peau, rincer immédiatement au savon doux et à l’eau.** En cas de contact oculaire, rincer l’œil ouvert à l’eau claire une quinzaine de minutes ou jusqu’à ce que l’irritation cesse. Si des soins médicaux s’avéraient nécessaires, noter que l’électrolyte de la pile est composé d’un mélange de carbonates organiques liquides et de sels de lithium.
- Le contenu des cellules d’une pile ouverte peut causer une irritation respiratoire.** En cas d’inhalation, exposer l’individu à l’air libre. Si les symptômes persistent, consulter un médecin.

**⚠AVERTISSEMENT : risques de brûlure.** Le liquide de la pile peut s’enflammer s’il est exposé à des étincelles ou à une flamme.

**Le sceau SRPRC<sup>MC</sup>**

Le sceau SRPRC<sup>MC</sup> (Société de recyclage des piles rechargeables au Canada) apposé sur une pile au nickel-cadmium, à hydrure métallique de nickel ou au lithium-ion (ou un bloc-piles) indique que les coûts de recyclage de ces derniers en fin d’utilisation ont déjà été réglés par DEWALT. Dans certaines régions, la mise au rebut ou aux ordures municipales des piles au nickel-cadmium, à l’hydrure métallique de nickel ou au lithium-ion, est illégale ; le programme de SRPRC constitue donc une solution pratique et écologique.

La SRPRC<sup>MC</sup>, en collaboration avec DEWALT et d’autres utilisateurs de piles, a mis sur pied des programmes aux États-Unis et au Canada pour faciliter la collecte des piles au nickel-cadmium, à l’hydrure métallique de nickel ou au lithium-ion usagées. Aidez-nous à protéger l’environnement et à conserver nos ressources naturelles en renvoyant les piles au nickel-cadmium, à l’hydrure métallique de nickel ou au lithium-ion usagées à un centre de réparation autorisé DEWALT ou chez votre détaillant afin qu’elles y soient recyclées. On peut en outre se renseigner auprès d’un centre de recyclage local pour connaître d’autres sites les acceptant. SRPRC<sup>MC</sup> est une marque déposée de la *Société de recyclage des piles rechargeables au Canada*.

**Directives de sécurité importantes propres à tous les chargeurs de piles**

**CONSERVER CES INSTRUCTIONS :** ce manuel contient des directives de sécurité et d’utilisation importantes propres aux chargeurs de piles.

- Avant d’utiliser le chargeur, lire toute consigne et tout avertissement apposés sur le chargeur, le bloc-piles et le produit utilisant le bloc-piles.

**⚠AVERTISSEMENT : risques de chocs électriques.** Ne laisser aucun liquide pénétrer dans le chargeur, des chocs électriques pourraient en résulter.

**⚠ATTENTION : risques de brûlure.** Pour réduire tout risque de dommages corporels, ne recharger que des blocs-piles rechargeables DEWALT. Tout autre type de piles pourrait exploser et causer des dommages corporels et matériels.

**AVIS :** sous certaines conditions, lorsque le chargeur est connecté au bloc d’alimentation, des matériaux étrangers pourraient court-circuiter le chargeur. Les corps étrangers conducteurs tels que (mais pas limité à) poussières de rectification, débris métalliques, laine d’acier, feuilles d’aluminium, ou toute accumulation de particules métalliques doivent être maintenus à distance des orifices du chargeur. Débrancher systématiquement le chargeur lorsque le bloc-piles n’y est pas inséré. Débrancher systématiquement le chargeur avant tout entretien.

- NE PAS tenter de charger de bloc-piles avec des chargeurs autres que ceux décrits dans ce manuel.** Le chargeur et son bloc-piles ont été conçus tout spécialement pour fonctionner ensemble.
- Ces chargeurs n’ont pas été conçus pour une utilisation autre que recharger les blocs-piles rechargeables DEWALT.** Toute autre utilisation comporte des risques d’incendie, de chocs électriques ou d’électrocution.
- Protéger le chargeur de la pluie ou de la neige.**
- Tirer sur la fiche plutôt que sur le cordon pour débrancher le chargeur.** Cela permet de réduire les risques d’endommager la fiche ou le cordon d’alimentation.
- S’assurer que le cordon est protégé de manière à ce que personne ne marche ni ne trébuche dessus, ou à ce qu’il ne soit ni endommagé ni soumis à aucune tension.**
- N’utiliser une rallonge qu’en cas de nécessité absolue.** L’utilisation d’une rallonge inadéquate comporte des risques d’incendie, de chocs électriques ou d’électrocution.
- Pour utiliser un chargeur à l’extérieur, le placer dans un endroit sec et utiliser une rallonge conçue pour l’extérieur.** L’utilisation d’une rallonge conçue pour l’extérieur réduit les risques de chocs électriques.
- Pour la sécurité de l’utilisateur, utiliser une rallonge de calibre adéquat (AWG, American Wire Gauge [calibrage américain normalisé des fils électriques]).** Plus le calibre est petit, et plus sa capacité est grande. Un calibre 16, par exemple, a une capacité supérieure à un calibre 18. L’usage d’une rallonge de calibre insuffisant causera une chute de tension qui entraînera perte de puissance et surchauffe. Si plus d’une rallonge est utilisée pour obtenir une certaine longueur, s’assurer que chaque rallonge présente au moins le calibre de fil minimum. Le tableau ci-dessous illustre les calibres à utiliser selon la longueur de rallonge et l’intensité nominale indiquée sur la plaque signalétique. En cas de doute, utiliser le calibre suivant. Plus le calibre est petit, plus la rallonge peut supporter de courant.

Calibres minimaux des rallonges						
		volts	Longueur totale de cordon en mètres (pieds)			
Intensité (en ampères)		120V	7,6 (25)	15,2 (50)	30,5 (100)	45,7 (150)
		240V	15,2 (50)	30,5 (100)	61,0 (200)	91,4 (300)
Supérieur à	Inférieur à	AWG				
0	6		18	16	16	14
6	10		18	16	14	12
10	12		16	16	14	12
12	16		14	12	Non recommandé	

- Ne poser aucun objet sur le chargeur. Ne pas mettre le chargeur sur une surface molle qui pourrait en bloquer la ventilation et provoquer une surchauffe interne.** Éloigner le chargeur de toute source de chaleur. Le chargeur dispose d’orifices d’aération sur le dessus et le dessous du boîtier.
- Ne pas le faire fonctionner avec un cordon d’alimentation ou une fiche endommagée.**
- Ne pas utiliser le chargeur s’il a reçu un coup, fait une chute ou a été endommagé de quelque façon que ce soit.** Le ramener dans un centre de réparation agréé.
- Ne pas démonter le chargeur. Pour tout service ou réparation, le rapporter dans un centre de réparation agréé.** Le fait de le réassembler de façon incorrecte comporte des risques de chocs électriques, d’électrocution et d’incendie.
- Débrancher le chargeur du secteur avant tout entretien. Cela réduira tout risque de chocs électriques.** Le fait de retirer le bloc-piles ne réduira pas ces risques.
- NE JAMAIS** tenter de connecter 2 chargeurs ensemble.
- Le chargeur a été conçu pour être alimenté en courant électrique domestique standard de 120 volts. Ne pas tenter de l’utiliser avec toute autre tension.** Cela ne s’applique pas aux chargeurs de postes mobiles.






**Chargeurs**

L’outil utilise un chargeur DEWALT. S’assurer de bien lire toutes les directives de sécurité avant d’utiliser le chargeur. Consulter le tableau figurant à la fin du présent mode d’emploi pour connaître la compatibilité des chargeurs et des blocs-piles.

**Procédure de charge (Fig. 2)**

- Branchez le chargeur dans la prise appropriée avant d’y insérer le bloc-piles.
- Insérez le bloc-piles (F) dans le chargeur, comme illustré en Figure 2, en vous assurant qu’il y est correctement calé. Le voyant rouge (charge) clignotera de façon continue indiquant que le cycle de chargement a commencé.
- En fin de charge, le voyant rouge restera ALLUMÉ de façon continue. Le bloc-piles est alors complètement chargé et peut être utilisé ou laissé dans le chargeur.

**Fonctionnement du voyant**

	BLOC-PILES EN COURS DE CHARGEMENT	— — — — —
	BLOC-PILES CHARGÉ	—————
	SUSPENSION DE CHARGE CONTRE LE CHAUD/FROID	—●—●—●—●—●
	BLOC-PILES OU CHARGEUR DÉFECTUEUX	●●●●●●●●●●
	PROBLÈME DE SECTEUR	●● ●● ●● ●● ●●

**Voyants de charge**

Ce chargeur a été conçu pour détecter les problèmes pouvant survenir. Un voyant rouge clignotant rapidement indique qu’il y a un problème. Dans cette éventualité, réinsérez les bloc-piles dans le chargeur. Si le problème persiste, essayez un autre bloc-piles pour déterminer si le chargeur fonctionne. Si le nouveau bloc-piles se recharge correctement, le bloc-piles initial est endommagé et doit être retourné dans un centre de réparation ou tout autre site de récupération pour y être recyclé. Si l’on obtient le même résultat avec le nouveau bloc-piles, faites vérifier le chargeur et le bloc-piles chez un centre de réparation agréé.

**FONCTION DE SUSPENSION DE CHARGE CONTRE LE CHAUD/FROID**

Ce chargeur est équipé d’une fonction de suspension de charge contre le chaud/froid. Lorsque le chargeur détecte un bloc-piles chaud, il démarre automatiquement la fonction de suspension de charge contre le chaud, en suspendant le chargement jusqu’au refroidissement de ce dernier. Une fois le bloc-piles refroidi, le chargeur se met automatiquement en mode de chargement. Cette caractéristique assure aux blocs-piles une durée de vie maximale. Le voyant rouge clignote longuement, puis rapidement en mode de suspension de charge contre le chaud/froid.

**LAISSER LE BLOC-PILES DANS LE CHARGEUR**

Le chargeur et son bloc-piles peuvent rester connectés, le voyant du chargeur affichant alors Bloc-piles chargé.

**BLOCS-PILES FAIBLES :** les blocs-piles faibles continueront de fonctionner, mais il faudra s’attendre à un rendement moindre.

**BLOCS-PILES DÉFECTUEUX :** ce chargeur ne pourra recharger un bloc-piles défectueux. Le chargeur indiquera qu’un bloc-piles est défectueux en refusant de s’allumer ou en affichant bloc-piles ou chargeur défectueux.

**REMARQUE :** cela pourra aussi indiquer un problème avec le chargeur.

**PROBLÈME AVEC LE SECTEUR**

Certains chargeurs présentent un voyant pour tout problème avec le secteur. Lorsque le chargeur est utilisé avec des blocs d’alimentation portatifs comme des génératrices ou des alternateurs, il pourrait temporairement s’arrêter de marcher, auquel cas un voyant rouge émet deux clignotements rapides suivis d’une pause. Cela indique que le bloc d’alimentation est hors tolérance.

**Remarques importantes concernant le chargement**

- Pour augmenter la durée de vie du bloc-piles et optimiser son rendement, le recharger à une température ambiante de 18 ° à 24 °C (65 °F à 75 °F). NE PAS recharger le bloc-piles à une température inférieure à + 4,5 °C (+ 40 °F) ou supérieure à + 40,5 °C (+ 105 °F). C’est important pour prévenir tout dommage sérieux au bloc-piles.
- Le chargeur et son bloc-piles peuvent devenir chauds au toucher pendant la charge. C’est normal et ne représente en aucun cas une défaillance du produit. Pour faciliter le refroidissement du bloc-piles après utilisation, éviter de laisser le chargeur ou le bloc-piles dans un local où la température ambiante est élevée comme dans un hangar métallique ou une remorque non isolée.
- Un bloc-piles froid se rechargera deux fois moins vite qu’un bloc-piles chaud. Le bloc-piles se rechargera à un rythme plus lent tout au cours du cycle de charge et ne retournera pas à sa capacité maximale de charge même s’il venait à se réchauffer.
- Si le bloc-piles ne se recharge pas correctement :
  - Vérifier le bon fonctionnement de la prise en y branchant une lampe ou tout autre appareil électrique.
  - Vérifier que la prise n’est pas contrôlée par un interrupteur qui coupe le courant lorsqu’on éteint les lumières.
  - Déplacer le chargeur et le bloc-piles dans un local où la température ambiante se trouve entre environ 18 ° et 24 °C (65 °F et 75 °F).
  - Si le problème persiste, amener l’outil, le bloc-piles et son chargeur dans un centre de réparation local.
- Recharger le bloc-piles lorsqu’il ne produit plus assez de puissance pour effectuer un travail qu’il faisait facilement auparavant. NE PAS CONTINUER à l’utiliser dans ces conditions. Suivre la procédure de charge. Si nécessaire, il est aussi possible de recharger un bloc-piles partiellement déchargé sans effet nuisible sur le bloc-piles.
- Les corps étrangers conducteurs tels que (mais pas limité à) poussières de rectification, débris métalliques, laine d’acier, feuilles d’aluminium, ou toute accumulation de particules métalliques doivent être maintenus à distance des orifices du chargeur. Débrancher systématiquement le chargeur lorsque le bloc-piles n’y est pas inséré. Débrancher systématiquement le chargeur avant tout entretien.
- Ne pas congeler ou immerger le chargeur dans l’eau ou tout autre liquide.

**⚠AVERTISSEMENT : risques de chocs électriques.** Ne laisser aucun liquide pénétrer dans le chargeur, des chocs électriques pourraient en résulter.

**⚠AVERTISSEMENT : risques de brûlure.** Ne submerger le bloc-piles dans aucun liquide et le protéger de toute infiltration de liquide. Ne jamais tenter d’ouvrir le bloc-piles pour quelque raison que ce soit. Si le boîtier plastique du bloc-piles est brisé ou fissuré, le retourner dans un centre de réparation pour y être recyclé.

**Recommandations de stockage**

- Le lieu idéal de rangement est un lieu frais et sec, à l’abri de toute lumière solaire directe et de toute température excessive.
- Pour un stockage prolongé, il est recommandé d’entreposer le bloc-piles pleinement chargé dans un lieu frais et sec, hors du chargeur pour optimiser les résultats.

**REMARQUE :** les blocs-piles ne devraient pas être entreposés complètement déchargés. Il sera nécessaire de recharger le bloc-piles avant réutilisation.

**CONSERVER CES CONSIGNES POUR UTILISATION ULTÉRIEURE**

**DESCRIPTION (Fig. 1)**

**⚠AVERTISSEMENT :** ne jamais modifier l’outil électrique ni aucun de ses composants, car il y a risques de dommages corporels ou matériels.

- |   |                                       |
|---|---------------------------------------|
| A. Gâchette                               | E. Poignée                            |
| B. Bouton de verrouillage                 | F. Bloc-piles                         |
| C. Levier de déverrouillage du serre-lame | G. Bouton de libération du bloc-piles |
| D. Patin                                  |                                       |

**Gâchette à vitesse variable (Fig. 1, 3)**

**BOUTON DE VERROUILLAGE ET GÂCHETTE**

Votre scie est équipée d’un bouton de verrouillage (B).

**Pour verrouiller la gâchette,** appuyer sur le bouton de verrouillage (Fig. 3). Toujours verrouiller la gâchette (A) avant de transporter ou ranger l’outil pour éliminer tout démarrage accidentel. Le bouton de verrouillage est **rouge** lorsqu’il est **inactif** (déverrouillé).

**Pour déverrouiller la gâchette,** appuyer sur le bouton de verrouillage (Fig. 3). Pousser la gâchette pour mettre le moteur en marche. Dégager la gâchette pour arrêter le moteur.

**⚠AVERTISSEMENT : cet outil n’est pas équipé d’un bouton de verrouillage pour le maintenir en position de marche, et ne doit en aucune manière être verrouillé par tout autre moyen.**

La gâchette à vitesse variable offre une grande versatilité. Plus loin la gâchette est poussée plus grande est la vitesse atteinte par la scie.

**⚠ATTENTION :** la vitesse très lente n’est recommandé que pour débiter une coupe. L’utilisation prolongée d’une vitesse lente pourrait endommager la scie.

**FONCTIONNEMENT**

**⚠AVERTISSEMENT : pour réduire les risques de blessures, éteindre l’appareil et débranchez-le de source d’alimentation avant d’installer et de retirer des accessoires, avant d’effectuer des réglages ou des réparations.** Un démarrage accidentel peut provoquer des blessures.

**Installation et retrait du bloc-piles (Fig. 4)**

**⚠AVERTISSEMENT :** pour réduire tout risque de dommages corporels, ne jamais appuyer sur le bouton de libération du bloc-piles sans retirer le bloc-piles. Le fait d’appuyer sur le bouton de libération du bloc-piles sans retirer le bloc-piles pourrait faire que celui-ci tombe accidentellement.

**REMARQUE :** pour des résultats optimums, s’assurer que le bloc-piles est complètement chargé.

Pour installer le bloc-piles (F) dans la poignée de l’outil, alignez le bloc-piles sur les rails dans la poignée de l’outil et faites-le glisser fermement en place puis vérifiez qu’il ne s’en détachera pas.

Pour retirer le bloc-piles de l’outil, poussez sur le bouton de libération (G) et tirez fermement le bloc-piles hors de la poignée de l’outil. Insérez-le dans son chargeur comme décrit dans la section appropriée de ce manuel.

**TÉMOIN DE CHARGE DU BLOC-PILES (FIG. 4A)**

Certains blocs-piles DEWALT possèdent un témoin de charge qui consiste en trois voyants Del verts indiquant le niveau de charge du bloc-piles.

Pour activer le témoin de charge, maintenez appuyé le bouton du témoin de charge (H). Une combinaison des trois voyants Del verts s’allumera indiquant le niveau de charge. Lorsque le niveau de charge du bloc-pile atteint la limite minimale d’utilisation, le témoin de charge reste éteint et le bloc-piles doit être rechargé.

**REMARQUE :** le témoin de charge ne fait qu’indiquer le niveau de charge du bloc-piles. Il ne donne aucune indication quant au fonctionnement de l’outil. Son propre fonctionnement pourra aussi varier en fonction des composants produit, de la température et de l’application d’utilisation.

Pour plus d’informations quant au témoin de charge du bloc-piles, veuillez appeler le 1-800-4-DEWALT (1-800-433-9258) ou vous rendre sur notre site www.dewalt.com.

**Installation et retrait des lames (Fig. 5–7, 11)**

**⚠AVERTISSEMENT : pour réduire les risques de blessures, éteindre l’appareil et débranchez-le de source d’alimentation avant d’installer et de retirer des accessoires, avant d’effectuer des réglages ou des réparations.** Un démarrage accidentel peut provoquer des blessures.

Il existe différentes longueur de lames. Utiliser la lame appropriée au travail en cours. La longueur de la lame doit être supérieure à 89 mm (3-1/2”) et dépasser la grandeur du patin et l’épaisseur de la pièce à découper. Ne pas utiliser de lames à scie sauteuse avec cet outil. **⚠AVERTISSEMENT : risques de coupure.** Pendant la coupe, la lame peut se briser si sa longueur n’est pas supérieure à celle du patin et de la pièce à découper (Fig. 5). Il y a alors risques de dommages corporels et d’endommagement du patin et de la pièce à travailler.

**POUR INSTALLER LA LAME SUR LA SCIE**

- Soulevez le levier de déverrouillage du serre-lame (C) (Fig. 6).
- Insérer la tige de la lame par l’avant.
- Rabaissez le levier de déverrouillage du serre-lame.

**REMARQUE :** sur la **DCS380**, la lame peut prendre quatre positions, comme illustré en Figure 7. Sur la **DCS381**, la lame peut prendre deux positions, comme illustré en Figure 7. Les deux outils permettent à la lame d’être installée à l’envers pour faciliter une coupe au-ras (voir Figure 11).

**POUR RETIRER LA LAME DE LA SCIE**

**⚠ATTENTION : risques de brûlure.** Ne pas toucher la lame immédiatement après usage. *Tout contact avec la lame pose des risques de blessure.*

- Lever le levier de dégagement de la bride de serrage de la lame.
- Retirer la lame.

**Coupe avec la lame en position horizontale (DCS380 seulement) (Fig. 8)**

Votre DCS380 est équipée d’un serre-lame horizontal. Le fait d’installer la lame horizontalement permet de couper au raz du sol, d’un mur ou d’un plafond, là où la liberté de manœuvre est limitée. S’assurer de bien presser le patin contre la structure pour éviter les rebonds.

**Patin réglable (DCS380 seulement) (Fig. 1, 9)**

**⚠ATTENTION : risques de coupure.** Pour éviter de perdre son contrôle, ne jamais utiliser l’outil sans son patin.

Votre DCS380 est équipée d’un patin réglable. Le patin se règle afin de limiter la profondeur de coupe. Saisir la scie en la renversant. Pousser le bouton sur la poignée et faire glisser le patin dans l’une des trois positions, puis relâcher le bouton.

La DCS381 est équipée d’un patin fixe non réglable.

**Sciage (Fig. 10–13)**

**⚠AVERTISSEMENT : toujours utiliser une protection oculaire.** Tous les utilisateurs et personnes à proximité doivent porter une protection oculaire conforme à la norme ANSI Z87.1.

**⚠AVERTISSEMENT : prendre des précautions supplémentaires pour toute découpe à faire en direction de l’utilisateur. Maintenir la scie fermement à deux mains pendant utilisation.**

Avant toute découpe de tout type de matériel, s’assurer qu’il est ancré et fixé solidement pour éviter tout déplacement (Fig. 10). Approcher légèrement la lame de la pièce à découper, mettre le moteur en marche et attendre qu’il prenne sa vitesse maximale avant d’appliquer toute pression. Chaque fois que possible, le patin de la scie doit être maintenu fermement contre la pièce à découper. Cela évite que la scie saute ou vibre et minimise les bris de lame. Toute découpe appliquant de la pression sur la lame comme les coupes angulaires ou de contours augmente le potentiel de vibrations, rebonds et bris de lame.



**⚠️AVERTISSEMENT :** *prenda des précautions supplémentaires pour découper au-dessus de la tête, et faire particulièrement attention aux fils électriques qui pourraient y être dissimulés. Anticiper toute chute de branches ou débris.*

**⚠️AVERTISSEMENT :** *vérifier qu'il n'existe pas sur la zone de travail de tuyaux de gaz, canalisations d'eau ou fils électriques cachés avant de commencer toute coupe aveugle ou en plongée. Tout manquement à cette clause augmente les risques d'explosion, de dommages matériels, chocs électriques, et/ou de dommages corporels sérieux.*

**SCIAGE AU-RAS (FIG. 11)**

La forme compacte du boîtier du moteur et de la broche permet des coupes extrêmement précises des planchers, coins et tout autre endroit délicat.

**COUPES INTERNE/EN PLONGÉE – BOIS SEULEMENT (FIG. 12)**

Il faut tout d'abord, pour une coupe interne, mesurer la surface à découper et la délimiter clairement au crayon, à la craie ou pointe à tracer. Utiliser la lame appropriée au travail à faire. La longueur de la lame doit être supérieure à 89 mm (3-1/2") et dépasser la grandeur du patin et l'épaisseur de la pièce à découper. Insérer la tige de la lame dans sa bride de serrage. Puis inclinez la scie vers l'arrière jusqu'à ce que le bord arrière du patin repose sur la surface à travailler et que la lame dépasse celle-ci (position 1, Fig. 12). Mettez ensuite le moteur en marche et laissez la scie prendre de la vitesse. Agrippez fermement la scie à deux mains et donnez un mouvement lent, mais délibéré à la scie vers le haut avec la poignée, en maintenant le socle du patin fermement appuyé contre la pièce à travailler (position 2, Fig. 12). La lame commencera à entamer le matériau. Assurez-vous que la lame a bien complètement traversé le matériau avant de continuer la coupe interne.

**REMARQUE :** dans les endroits où la visibilité de la lame est limitée, utiliser le bord du patin comme guide. Toute ligne de coupe doit continuer au-delà de la coupe à effectuer.

**DÉCOUPE DU MÉTAL (FIG. 13)**

Votre scie a différentes capacités de coupe du métal suivant le type de lames utilisées et le métal à découper. Utiliser une lame fine pour les métaux ferreux et épaisse pour les métaux non ferreux. Pour la tôle mince, il est conseillé d'arrimer du bois sur les deux côtés de la tôle pour assurer une coupe nette et réduire tout risque de vibrations ou déchirure de la tôle. Ne jamais forcer sur les lames pour augmenter leur durée de vie et réduire les coûts liés à leur changement.

**REMARQUE :** Il est généralement recommandé pour les découpes du métal d'enduire d'un léger film d'huile ou tout autre lubrifiant la ligne précédant la découpe pour faciliter l'opération et augmenter la durée de vie de la lame.

**ENTRETIEN**

**⚠️AVERTISSEMENT :** *pour réduire les risques de blessures, éteindre l'appareil et débranchez-le de source d'alimentation avant d'installer et de retirer des accessoires, avant d'effectuer des réglages ou des réparations. Un démarrage accidentel peut provoquer des blessures.*

**Nettoyage**

**⚠️AVERTISSEMENT :** *enlever les saletés et la poussière hors des événements au moyen d'air comprimé propre et sec, au moins une fois par semaine. Pour minimiser le risque de blessure aux yeux, toujours porter une protection oculaire conforme à la norme ANSI Z87.1 lors du nettoyage.*

**⚠️AVERTISSEMENT :** *ne jamais utiliser de solvants ni d'autres produits chimiques puissants pour nettoyer les pièces non métalliques de l'outil. Ces produits chimiques peuvent affaiblir les matériaux de plastique utilisés dans ces pièces. Utiliser un chiffon humecté uniquement d'eau et de savon doux. Ne jamais laisser de liquide pénétrer dans l'outil et n'immerger aucune partie de l'outil dans un liquide.*

**INSTRUCTION DE NETTOYAGE DU CHARGEUR**

**⚠️AVERTISSEMENT :** *risque de choc. Débrancher le chargeur de la prise de courant C.A. avant de le nettoyer. La saleté et la graisse peuvent être enlevées de la surface extérieure du chargeur au moyen d'un chiffon ou d'une brosse douce non métallique. Ne pas utiliser d'eau ni d'autres solutions de nettoyage.*

**Accessoires**

**⚠️AVERTISSEMENT :** *puisque les accessoires autres que ceux offerts par DEWALT n'ont pas été testés avec ce produit, leur utilisation pourrait s'avérer dangereuse. Pour réduire le risque de blessures, utiliser exclusivement les accessoires DEWALT recommandés avec le présent produit.*

Les accessoires recommandés pour cet outil sont vendus séparément au centre de service de votre région. Pour obtenir de l'aide concernant l'achat d'un accessoire, communiquer avec DEWALT Industrial Tool Co., 701 East Joppa Road, Baltimore, MD 21286 aux États-Unis; composer le 1 800 433-9258 (1 800 4-DEWALT) ou visiter notre site Web www.dewalt.com.

**Réparations**

Le bloc-piles et le chargeur ne sont pas réparables. Le chargeur ou le bloc-piles ne comportent aucune pièce réparable.

Pour assurer la SÉCURITÉ et la FIABILITÉ du produit, les réparations, l'entretien et les réglages doivent être réalisés (cela comprend l'inspection et le remplacement du balaï) par un centre de réparation en usine DEWALT, un centre de réparation agréé DEWALT ou par d'autres techniciens qualifiés. Toujours utiliser des pièces de rechange identiques.

**Garantie limitée de trois ans**

DEWALT réparera, sans frais, tout produit défectueux causé par un défaut de matériel ou de fabrication pour une période de trois ans à compter de la date d'achat. La présente garantie ne couvre pas les pièces dont la défectuosité a été causée par une usure normale ou l'usage abusif de l'outil. Pour obtenir de plus amples renseignements sur les pièces ou les réparations couvertes par la présente garantie, visiter le site www.dewalt.com ou composer le 1 800 433-9258 (1 800 4-DEWALT). Cette garantie ne s'applique pas aux accessoires et ne vise pas les dommages causés par des réparations effectuées par un tiers. Cette garantie confère des droits légaux particuliers à l'acheteur, mais celui-ci pourrait aussi bénéficier d'autres droits variant d'un état ou d'une province à l'autre.

En plus de la présente garantie, les outils DEWALT sont couverts par notre :

**CONTRAT D'ENTRETIEN GRATUIT D'UN AN**

DEWALT entretiendra l'outil et remplacera les pièces usées au cours d'une utilisation normale et ce, gratuitement, pendant une période d'un an à compter de la date d'achat.

**CONTRAT D'ENTRETIEN GRATUIT DE DEUX ANS SUR LES BLOC-PILES DEWALT**

DC9071, DC9091, DC9096, DC9280, DC9360, DC9180, DCB120 et DCB201

**CONTRAT D'ENTRETIEN GRATUIT DE TROIS ANS SUR LES BLOC-PILES DEWALT**

DCB200 et la

**BLOCS-PILES DEWALT**

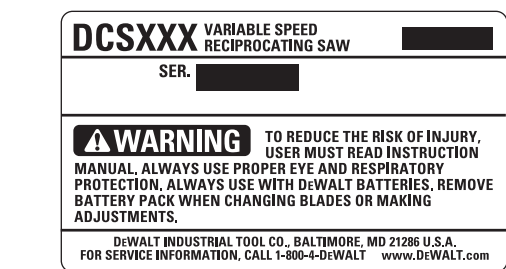
La garantie de se produit sera annulée si le bloc-piles a été altéré de quelque façon que ce soit. DEWALT ne peut être tenu responsable de tout dommage corporel causé par l'altération du produit et pourra poursuivre toute fraude en matière de garantie dans toute l'étendue permise par la loi.

**GARANTIE DE REMBOURSEMENT DE 90 JOURS**

Si l'acheteur n'est pas entièrement satisfait, pour quelque raison que ce soit, du rendement de l'outil électrique, du laser ou de la cloueuse DEWALT, celui-ci peut le retourner, accompagné d'un reçu, dans les 90 jours à compter de la date d'achat pour obtenir un remboursement intégral, sans aucun problème.

**AMÉRIQUE LATINE :** cette garantie ne s'applique aux produits vendus en Amérique latine. Pour ceux-ci, veuillez consulter les informations relatives à la garantie spécifique présente dans l'emballage, appeler l'entreprise locale ou consulter le site Web pour les informations relatives à cette garantie.

**REMPLACEMENT GRATUIT DES ÉTIQUETTES D'AVERTISSEMENT :** si les étiquettes d'avertissement deviennent illisibles ou sont manquantes, composer le 1 800 433-9258 (1 800 4-DEWALT) pour en obtenir le remplacement gratuit.



### Definiciones: Normas de seguridad

Las siguientes definiciones describen el nivel de gravedad de cada palabra de señal. Lea el manual y preste atención a estos símbolos.

**⚠️PELIGRO:** *indica una situación de peligro inminente que, si no se evita, provocará la muerte o lesiones graves.*

**⚠️ADVERTENCIA:** *indica una situación de peligro potencial que, si no se evita, podría provocar la muerte o lesiones graves.*

**⚠️ATENCIÓN:** *indica una situación de peligro potencial que, si no se evita, posiblemente provocaría lesiones leves o moderadas.*

**AVISO:** *Se refiere a una práctica no relacionada a lesiones corporales que de no evitarse puede resultar en daños a la propiedad.*

SI TIENE ALGUNA DUDA O ALGÚN COMENTARIO SOBRE ÉSTA U OTRA HERRAMIENTA DEWALT, LLÁMENOS AL NÚMERO GRATUITO: 1-800-4-DEWALT (1-800-433-9258).

**⚠️ADVERTENCIA:** *Para reducir el riesgo de lesiones, lea el manual de instrucciones.*

**Advertencias generales de seguridad para herramientas eléctricas**

**⚠️ADVERTENCIA!** *Lea todas las advertencias de seguridad e instrucciones. El incumplimiento de las advertencias e instrucciones puede provocar descargas eléctricas, incendios o lesiones graves.*

## CONSERVE TODAS LAS ADVERTENCIAS E INSTRUCCIONES PARA FUTURAS CONSULTAS

El término "herramienta eléctrica" incluido en las advertencias e instrucciones hace referencia a las herramientas eléctricas operadas con corriente (con cable eléctrico) o a las herramientas eléctricas operadas con baterías (inalámbricas).

**1) SEGURIDAD EN EL ÁREA DE TRABAJO**

- Mantenga el área de trabajo limpia y bien iluminada. Las áreas abarrotadas y oscuras propician accidentes.*
- No opere las herramientas eléctricas en atmósferas explosivas, como ambientes donde haya polvo, gases o líquidos inflamables. Las herramientas eléctricas originan chispas que pueden encender el polvo o los vapores.*
- Mantenga alejados a los niños y a los espectadores de la herramienta eléctrica en funcionamiento. Las distracciones pueden provocar la pérdida de control.*

**2) SEGURIDAD ELÉCTRICA**

- Los enchufes de la herramienta eléctrica deben adaptarse al tomacorriente. Nunca modifique el enchufe de ninguna manera. No utilice ningún enchufe adaptador con herramientas eléctricas con conexión a tierra. Los enchufes no modificados y que se adaptan a los tomacorrientes reducirán el riesgo de descarga eléctrica.*
- Evite el contacto corporal con superficies con descargas a tierra como, por ejemplo, tuberías, radiadores, cocinas eléctricas y refrigeradores. Existe mayor riesgo de descarga eléctrica si su cuerpo está puesto a tierra.*

- No exponga las herramientas eléctricas a la lluvia o a condiciones de humedad. Si entra agua a una herramienta eléctrica, aumentará el riesgo de descarga eléctrica.*

- No maltrate el cable. Nunca utilice el cable para transportar, tirar o desenchufar la herramienta eléctrica. Mantenga el cable alejado del calor, el aceite, los bordes filosos y las piezas móviles. Los cables dañados o enredados aumentan el riesgo de descarga eléctrica.*

- Al operar una herramienta eléctrica en el exterior, utilice un cable prolongador adecuado para tal uso. Utilice un cable adecuado para uso en exteriores a fin de reducir el riesgo de descarga eléctrica.*

- Si el uso de una herramienta eléctrica en un lugar húmedo es imposible de evitar, utilice un suministro protegido con un interruptor de circuito por falla a tierra (GFCI). El uso de un GFCI reduce el riesgo de descargas eléctricas.*

**3) SEGURIDAD PERSONAL**

- Permanezca alerta, controle lo que está haciendo y utilice el sentido común cuando emplee una herramienta eléctrica. No utilice una herramienta eléctrica si está cansado o bajo el efecto de drogas, alcohol o medicamentos. Un momento de descuido mientras se opera una herramienta eléctrica puede provocar lesiones personales graves.*
- Utilice equipos de protección personal. Siempre utilice protección para los ojos. En las condiciones adecuadas, el uso de equipos de protección, como máscaras para polvo, calzado de seguridad antideslizante, cascos o protección auditiva, reducirá las lesiones personales.*
- Evite el encendido por accidente. Asegúrese de que el interruptor esté en la posición de apagado antes de conectarlo a la fuente de energía o paquete de baterías, o antes de levantar o transportar la herramienta. Transportar herramientas eléctricas con el dedo apoyado en el interruptor o enchufar herramientas eléctricas con el interruptor en la posición de encendido puede propiciar accidentes.*
- Retire la clavija de ajuste o la llave de tuercas antes de encender la herramienta eléctrica. Una llave de tuercas o una clavija de ajuste que quede conectada a una pieza giratoria de la herramienta eléctrica puede provocar lesiones personales.*
- No se estire. Conserve el equilibrio y párese adecuadamente en todo momento. Esto permite un mejor control de la herramienta eléctrica en situaciones inesperadas.*
- Use la vestimenta adecuada. No use ropas holgadas ni joyas. Mantenga el cabello, la ropa y los guantes alejados de las piezas en movimiento. Las ropas holgadas, las joyas o el cabello largo pueden quedar atrapados en las piezas en movimiento.*
- Si se suministran dispositivos para la conexión de accesorios con fines de recolección y extracción de polvo, asegúrese de que estén conectados y que se utilicen correctamente. El uso de dispositivos de recolección de polvo puede reducir los peligros relacionados con el polvo.*

**4) USO Y MANTENIMIENTO DE LA HERRAMIENTA ELÉCTRICA**

- No fuerce la herramienta eléctrica. Utilice la herramienta eléctrica correcta para el trabajo que realizará. Si se la utiliza a la velocidad para la que fue diseñada, la herramienta eléctrica correcta permite trabajar mejor y de manera más segura.*
- No utilice la herramienta eléctrica si no puede encenderla o apagarla con el interruptor. Toda herramienta eléctrica que no pueda ser controlada mediante el interruptor es peligrosa y debe repararse.*
- Desconecte el enchufe de la fuente de energía o el paquete de baterías de la herramienta eléctrica antes de realizar ajustes, cambiar accesorios o almacenar la herramienta eléctrica. Estas medidas de seguridad preventivas reducen el riesgo de encender la herramienta eléctrica en forma accidental.*
- Guarde la herramienta eléctrica que no esté en uso fuera del alcance de los niños y no permita que otras personas no familiarizadas con ella o con estas instrucciones operen la herramienta. Las herramientas eléctricas son peligrosas si son operadas por usuarios no capacitados.*
- Realice el mantenimiento de las herramientas eléctricas. Revise que no haya piezas en movimiento mal alineadas o trabadas, piezas rotas o cualquier otra situación que pueda afectar el funcionamiento de la herramienta eléctrica. Si encuentra daños, haga reparar la herramienta eléctrica antes de utilizarla. Se producen muchos accidentes a causa de las herramientas eléctricas que carecen de un mantenimiento adecuado.*
- Mantenga las herramientas de corte afiladas y limpias. Las herramientas de corte con mantenimiento adecuado y con los bordes de corte afilados son menos propensas a trabarse y son más fáciles de controlar.*
- Utilice la herramienta eléctrica, los accesorios y las brocas de la herramienta, etc. de acuerdo con estas instrucciones y teniendo en cuenta las condiciones de trabajo y el trabajo que debe realizarse. El uso de la herramienta eléctrica para operaciones diferentes de aquéllas para las que fue diseñada podría originar una situación peligrosa.*

**5) USO Y MANTENIMIENTO DE LA HERRAMIENTA CON BATERÍAS**

- Recargue solamente con el cargador especificado por el fabricante. Un cargador adecuado para un tipo de paquete de baterías puede originar riesgo de incendio si se utiliza con otro paquete de baterías.*
- Utilice herramientas eléctricas sólo con paquetes de baterías específicamente diseñados. El uso de cualquier otro paquete de baterías puede producir riesgo de incendio y lesiones.*
- Cuando no utilice el paquete de baterías, manténgalo lejos de otros objetos metálicos como sujetapapeles, monedas, llaves, clavos, tornillos u otros objetos metálicos pequeños que puedan realizar una conexión desde un terminal al otro. Los cortocircuitos en los terminales de la batería pueden provocar quemaduras o incendio.*
- En condiciones abusivas, el líquido puede ser expulsado de la batería. Evite su contacto. Si entra en contacto accidentalmente, enjuague con agua. Si el líquido entra en contacto con los ojos, busque atención médica. El líquido expulsado de la batería puede provocar irritación o quemaduras.*

**6) MANTENIMIENTO**

- Solicite a una persona calificada en reparaciones que realice el mantenimiento de su herramienta eléctrica y que sólo utilice piezas de repuesto idénticas. Esto garantizará la seguridad de la herramienta eléctrica.*

**Normas específicas de seguridad adicionales para sierras de vaivén**

- Sujete la herramienta eléctrica de sus superficies aislantes cuando lleve a cabo una operación en que el accesorio de corte pudiera entrar en contacto con un hilo eléctrico oculto. Los accesorios de corte que entren en contacto con un hilo eléctrico activo podrían hacer que las partes metálicas de la herramienta eléctrica también se activen con electricidad y que el operador sufra una descarga eléctrica.*
- Utilice abrazaderas u otra forma práctica para asegurar y sostener la pieza de trabajo sobre una plataforma estable. Sostener el trabajo con la mano o contra el cuerpo no brinda la estabilidad requerida y puede llevar a la pérdida del control.*
- Sujete la sierra firmemente y con ambas manos para toda operación de corte. Durante las operaciones de corte, la hoja podría atascarse en la pieza de trabajo y hacer que la sierra rebote hacia el operador.*
- Mantenga las manos alejadas de las piezas en movimiento. Nunca ponga las manos en proximidad del área de corte.*
- Sea más cauteloso cuando corte objetos que se encuentren encima de usted y sobre todo ponga atención a los cables que se encuentren encima de usted que podrían estar ocultos. Tenga en cuenta las posibles trayectorias que seguirían ramas y desechos al caerse.*
- No opere esta herramienta durante períodos largos de tiempo. La vibración causada por la acción de operación de la herramienta puede causar lesiones permanentes a sus dedos, manos y brazos. Use guantes para un mejor amortiguamiento, descanse con frecuencia y limite el tiempo diario de uso.*

**⚠️ADVERTENCIA:** Use **SIEMPRE** lentes de seguridad. Los anteojos de uso diario NO son lentes de seguridad. Utilice también máscaras faciales o para polvo si el corte produce polvillo. UTILICE SIEMPRE EQUIPOS DE SEGURIDAD CERTIFICADOS:

- Protección para los ojos ANSI Z87.1(CAN/CSA Z94.3),
- Protección auditiva según la norma ANSI S12.6 (S3.19),
- Protección respiratoria según las normas NIOSH/OSHA/MSHA.

**⚠️ADVERTENCIA:** Algunas partículas de polvo generadas al lijar, serrar, esmerilar y taladrar con herramientas eléctricas, así como al realizar otras actividades de construcción, contienen químicos que el Estado de California sabe que pueden producir cáncer, defectos congénitos u otras afecciones reproductivas. Ejemplos de estos químicos son:

- plomo de algunas pinturas en base a plomo,
- polvo de sílice proveniente de ladrillos y cemento y otros productos de albañilería, y
- arsénico y cromo provenientes de madera tratada químicamente.

El peligro derivado de estas exposiciones que usted enfrente varía en función de la frecuencia con que se realice este tipo de trabajo. Para reducir la exposición a esas sustancias químicas: trabaje en una zona bien ventilada y llevando equipos de seguridad aprobados, como mascarillas antipolvo especialmente diseñadas para filtrar partículas microscópicas.

- Evite el contacto prolongado con el polvo procedente del lijado, serrado, esmerilado y taladrado eléctricos, así como de otras actividades del sector de la construcción. Lleve ropa protectora y lave con agua y jabón las zonas expuestas. Si permite que el polvo se introduzca en la boca u ojos o quede sobre la piel, puede favorecer la absorción de productos químicos peligrosos.*

**⚠️ADVERTENCIA:** Toda persona que entre al área de trabajo deberá usar una máscara antipolvo o protección respiratoria. El filtro debería ser reemplazado a diario o cuando el usuario tenga dificultad para respirar. Puede encontrar la máscara antipolvo apropiada aprobada por NIOSH/OSHA en su ferretería local.

**⚠️ADVERTENCIA:** *Durante el uso, use siempre protección auditiva adecuada que cumpla con la norma ANSI S12.6 (S3.19). Bajo ciertas circunstancias y según el período de uso, el ruido producido por este producto puede contribuir a la pérdida de audición.*

**⚠️ATENCIÓN:** *Cuando no se use, guarde la herramienta en posición horizontal sobre una superficie estable, donde no interrumpa el paso o provoque una caída. Algunas herramientas con baterías grandes se sostienen sobre la batería, pero pueden caer fácilmente.*

- La etiqueta de su herramienta puede incluir los siguientes símbolos. Los símbolos y sus definiciones son los siguientes:

V.....	voltios	A.....	amperios
Hz.....	hertz	W.....	vatios
min .....	minutos	~ .....	corriente alterna
== .....	corriente directa	∞ .....	corriente alterna o directa
Ⓢ.....	Construcción de Clase I (con conexión a tierra)	Ⓣo .....	velocidad sin carga
Ⓜ.....	Construcción de Clase II (doble aislamiento)	Ⓞ.....	terminal de conexión a tierra
.../min .....	por minuto	⚠.....	símbolo de advertencia de seguridad
IPM.....	impactos por minuto	BPM.....	golpes por minuto
		RPM.....	revoluciones por minuto

**Instrucciones de seguridad importantes para todas las unidades de batería**

Cuando solicite unidades de batería de repuesto, no olvide indicar el número de catálogo y el voltaje. Consulte la tabla al final de este manual para ver la compatibilidad entre cargadores y unidades de batería.

La unidad de batería no viene completamente cargada de fábrica. Antes de usar la unidad de batería y el cargador, lea las siguientes instrucciones de seguridad. Luego, siga los procedimientos de carga indicados.

## LEA TODAS LAS INSTRUCCIONES

- No cargue o use la unidad de batería en atmósferas explosivas, como en presencia de líquidos, gases o polvos inflamables. Puede que al insertar o sacar la unidad de batería del cargador se inflamen el polvo o los gases.**



- NUNCA fuerce la unidad de batería para que entre en el cargador. NO modifique la unidad de batería en ninguna forma para que entre en un cargador no compatible, pues puede producir una ruptura en la unidad de batería y causar lesiones corporales graves.** Consulte la tabla al final de este manual para ver la compatibilidad entre baterías y cargadores.

- Cargue las unidades de batería sólo en los cargadores designados por DEWALT.
- NO** salpique con ni sumerja en agua u otros líquidos.

- No guarde ni use la herramienta y unidad de batería en lugares donde la temperatura pueda alcanzar o superar los 40 °C (105 °F), tales como cobertizos o construcciones de metal durante el verano.** Almacene las unidades de batería en lugares frescos y secos para maximizar su vida útil.

**NOTA: No almacene las unidades de batería en la herramienta con el interruptor de gatillo en posición encendida fija. Nunca use cinta adhesiva para mantener el interruptor de gatillo en posición ENCENDIDA.**

**⚠ADVERTENCIA:** Peligro de incendio. Nunca intente abrir la unidad de batería por ningún motivo. Si la caja exterior de la unidad de batería se triza o daña, no la introduzca en el cargador. No trituré, deje caer o dañe la unidad de batería. No use una unidad de batería o un cargador que haya sido golpeado, dejado caer, atropellado o dañado en cualquier forma (por ejemplo, perforado por un clavo, golpeado con un martillo, pisado). Lleve sus unidades de batería dañadas al centro de servicio para que sean recicladas.

**⚠ADVERTENCIA: Peligro de incendio. No guarde ni transporte la unidad de batería de manera que objetos metálicos puedan hacer contacto con los terminales expuestos de la batería.** Por ejemplo, no ponga la unidad de batería en delantales, bolsillos, cajas de herramientas, estuches de productos, cajones, etc., junto con clavos, tornillos, llaves, etc., sueltos. **El transporte de baterías puede causar incendios si sus terminales inadvertidamente entran en contacto con materiales conductores como llaves, monedas, herramientas de mano y otros por el estilo.** El Reglamento sobre Materiales Peligrosos (HMR) del Ministerio de Transporte de los Estados Unidos actualmente prohíbe el transporte de baterías en el comercio o en aviones (por ejemplo, embaladas en maletas y maletines de mano) A NO SER que estén debidamente protegidas para prevenir cortocircuitos. Por lo tanto, cuando transporte unidades de batería individuales, asegúrese de que sus terminales estén protegidos y debidamente aislados de materiales que pudieran entrar en contacto con ellos y causar un cortocircuito.

**INSTRUCCIONES DE SEGURIDAD ESPECÍFICAS PARA BATERÍAS DE IONES DE LITIO (Li-Ion)**

- NO incinere la unidad de batería, aunque esté completamente dañada o descargada. La unidad de batería puede explotar si se quema.** Cuando se queman unidades de batería de iones de litio, se producen gases y materiales tóxicos.
- Si el contenido de la batería entra en contacto con la piel, lave el área de inmediato con agua y un jabón suave.** Si el líquido de la batería entra en contacto con sus ojos, enjuáguelos con agua y los ojos abiertos por 15 minutos o hasta que cese la irritación. Si se requiere de asistencia médica, el electrolito de la batería está compuesto por una mezcla de carbonatos orgánicos líquidos y sales de litio.
- El contenido de los elementos abiertos de la batería puede causar irritación en el tracto respiratorio.** Salga al aire fresco. Si los síntomas persisten, busque asistencia médica.

**⚠ADVERTENCIA:** Peligro de quemaduras. El líquido de la batería puede ser inflamable si se expone a chispas o llamas.

### El sello RBRC™

El sello RBRC™ (Rechargeable Battery Recycling Corporation) en las baterías (o unidades de batería) de níquel cadmio, níquel e hidruro metálico o de iones de litio indica que el costo de reciclaje de estas baterías (o unidades de batería) al llegar al final de su vida de servicio ya ha sido pagado por DEWALT. En algunas áreas, es ilegal depositar baterías de níquel cadmio, níquel e hidruro metálico o de iones de litio gastadas en la basura o la corriente de residuos sólidos urbanos; el programa RBRC proporciona una alternativa ecológica.

RBRC™, en cooperación con DEWALT y otros usuarios de baterías, han establecido programas en los Estados Unidos y Canadá para facilitar la recolección de baterías de níquel cadmio, níquel e hidruro metálico o de iones de litio gastadas. Al llevar sus baterías de níquel cadmio, níquel e hidruro metálico y de iones de litio gastadas a un centro de servicio autorizado por DEWALT o al minorista local para que sean recicladas, ayuda a proteger el medio ambiente y a conservar recursos naturales. También puede comunicarse con el centro de reciclaje de su localidad para mayor información sobre dónde llevar sus baterías gastadas. RBRC™ es una marca comercial registrada de Rechargeable Battery Recycling Corporation.

### Instrucciones importantes de seguridad para todos los cargadores de baterías

**GUARDE ESTAS INSTRUCCIONES:** Este manual contiene instrucciones de seguridad y operación importantes para los cargadores de baterías.

- Antes de usar el cargador, lea todas las instrucciones y advertencias que se encuentren en el cargador, la unidad de batería y el producto que usa la unidad de batería.

**⚠ADVERTENCIA:** Peligro de descarga eléctrica. No permita que ningún líquido se introduzca en el cargador. Puede producir descargas eléctricas.

**⚠ATENCIÓN:** Peligro de quemaduras. Para reducir el riesgo de lesiones, sólo cargue unidades de batería recargables marca DEWALT. Otros tipos de batería podrían sobrecalentarse y reventar lo que podría resultar en lesiones corporales y daños a su propiedad.

**AVISO:** Bajo ciertas condiciones, cuando el cargador está enchufado a una toma de corriente, el cargador puede hacer cortocircuito si entra en contacto con algún material ajeno. Los materiales ajenos de naturaleza conductora, como el polvo de esmerilado, las placas de metal, la lana de acero, el papel de aluminio y otros, o cualquier acumulación de partículas metálicas deberían mantenerse alejados de las cavidades del cargador. Desenchufe siempre el cargador cuando no haya una unidad de batería en su cavidad. Desenchufe el cargador antes de intentar limpiarlo.

- NO intente cargar la unidad de batería con otros cargadores que no sean los descritos en este manual.** El cargador y la unidad de batería fueron específicamente diseñados para trabajar en conjunto.
- Estos cargadores no fueron diseñados para ser utilizados para más que cargar las baterías recargables DEWALT.** Cualquier otro uso puede producir riesgo de incendios, descargas eléctricas o electrocución.
- No exponga el cargador a la lluvia o a la nieve.**
- Tire del enchufe y no del cable cuando desconecte el cargador.** De esta forma se reduce el riesgo de daño al enchufe y cable.
- Asegúrese de que el cable no sea ubicado de manera que podría ser pisado, causar que alguien tropiece con él o ser expuesto a otro tipo de daños y desgastes.**
- No use un alargador a menos que sea absolutamente necesario.** El uso de un alargador incorrecto podría producir riesgo de incendios, descargas eléctricas o electrocución.
- Cuando opere un cargador al exterior, hágalo siempre en un lugar seco y use un alargador apropiado para uso al exterior.** El uso de un alargador apropiado para uso al exterior reduce el riesgo de descarga eléctrica.
- Los hilos del alargador deben ser de un calibre apropiado (AWG o American Wire Gauge) para su seguridad.** Mientras menor sea el calibre del hilo, mayor la capacidad del cable. Es decir, un hilo calibre 16 tiene mayor capacidad que uno de 18. Un cable de un calibre insuficiente causará una caída en la tensión de la línea dando por resultado una pérdida de energía y sobrecalentamiento. Cuando se utilice más de un alargador para completar el largo total, asegúrese que los hilos de cada alargador tengan el calibre mínimo. La tabla siguiente muestra el tamaño correcto a utilizar, dependiendo de la longitud del cable y del amperaje nominal de la placa de identificación. Si tiene dudas sobre cuál calibre usar, use un calibre mayor. Cuanto menor sea el número del calibre, más resistente será el cable.

Calibre mínimo para juegos de cables						
Capacidad nominal en amperios		Voltsios	Largo total del cable en metros (en pies)			
		120V	7,6 (25)	15,2 (50)	30,5 (100)	45,7 (150)
		240V	15,2 (50)	30,5 (100)	61,0 (200)	91,4 (300)
Desde	Hasta	AWG				
0	6		18	16	16	14
6	10		18	16	14	12
10	12		16	16	14	12
12	16		14	12	No recomendado	

- No coloque ningún objeto encima del cargador ni coloque a este sobre una superficie blanda que pudiera bloquear las ranuras de ventilación y resultar en un calor interno excesivo.** Coloque el cargador en un lugar alejado de cualquier fuente de calor. El cargador se ventila a través de las ranuras que se encuentran en la parte superior e inferior de la caja protectora.
- No opere el cargador si su cable o enchufe están dañados.**
- No opere el cargador si ha recibido un golpe agudo, si se ha caído o si ha sido dañado de alguna otra forma.** Llévelo a un centro de servicio autorizado.
- No desarme el cargador; llévelo a un centro de servicio autorizado cuando deba ser reparado.** Si es reensamblado incorrectamente, puede causar descargas eléctricas, electrocución o incendios.
- Desenchufe el cargador antes de intentar limpiarlo. Esto reducirá el riesgo de descargas eléctricas.** El retirar el paquete de baterías no reducirá este riesgo.
- NUNCA** intente conectar 2 cargadores entre sí.
- El cargador está diseñado para operar con una corriente eléctrica estándar residencial de 120 V. No intente usarlo con ningún otro voltaje.** Esto no aplica al cargador vehicular.

### Cargadores

Su herramienta utiliza un cargador DEWALT. Asegúrese de leer todas las instrucciones de seguridad antes de utilizar su cargador. Consulte el gráfico al final del manual para conocer la compatibilidad entre los cargadores y los paquetes de baterías.


### Procedimiento de carga (Fig. 2)

- Enchufe el cargador en una toma de corriente apropiada antes de insertar la unidad de batería.
- Inserte la unidad de batería (F) en el cargador, como se muestra en la Figura 2, comprobando que quede bien colocado dentro del mismo. La luz roja (de carga) parpadeará continuamente para indicar que se ha iniciado el proceso de carga.
- La luz roja se quedará ENCENDIDA continuamente cuando se haya completado el proceso de carga. La unidad estará entonces completamente cargad y podrá ser utilizado de inmediato o dejarse en el cargador.

### Operación de la luz indicadora

 UNIDAD EN PROCESO DE CARGA

 UNIDAD CARGADA

 RETRASO POR UNIDAD CALIENTE/FRIA

 UNIDAD O CARGADOR CON PROBLEMAS

 LÍNEA DE ALIMENTACIÓN CON PROBLEMAS

### Indicadores de carga

Este cargador ha sido diseñado para detectar ciertos problemas que pudieran surgir. Estos problemas se indican mediante una luz roja intermitente rápida. Si esto ocurre, vuelva a colocar la unidad de batería en el cargador. Si el problema persiste, pruebe con otra unidad de batería para determinar si el cargador está funcionando debidamente. Si la segunda unidad de batería carga correctamente, significa que la primera está fallada y debería ser llevada a un centro de servicio u otro lugar de coleccion para su reciclaje. Si la segunda unidad de batería hace que el cargador indique el mismo problema que la primera, lleve el cargador y la unidad de batería a un centro de servicio autorizado para su examinación.

#### RETARDO POR UNIDAD CALIENTE/FRÍA

Este cargador tiene una función de retardo por unidad caliente/fría: cuando el cargador detecta una batería caliente, inmediatamente empieza un retardo por unidad caliente y suspende la carga hasta que la batería se haya enfriado. Una vez enfriada la batería, el cargador pasará automáticamente a la modalidad de carga de la unidad. Esta función asegura la máxima duración de su batería. La luz roja parpadeará a intervalos largos, luego cortos cuando esté en modalidad de retardo por unidad caliente/fría.

#### PERMANENCIA DE LA UNIDAD DE BATERÍA EN EL CARGADOR

El cargador y la unidad de batería pueden dejarse conectados con la luz del cargador indicando que la unidad está cargada.

**UNIDADES DE BATERÍA DESGASTADAS:** Las baterías desgastadas seguirán funcionando pero no debe esperarse que tengan capacidad para la misma cantidad de trabajo.

**UNIDADES DE BATERÍA DEFECTUOSAS:** Este cargador no cargará una unidad de batería defectuosa. El cargador indicará que la unidad de batería es defectuosa al no iluminarse o al indicar que existe un problema con la unidad o el cargador.

**NOTA:** Esto también puede significar que hay un problema con el cargador.

#### LÍNEA DE ALIMENTACIÓN CON PROBLEMAS

Algunos cargadores tienen un indicador de Línea de alimentación con problemas. Cuando el cargador se utiliza con algunas fuentes de alimentación portátiles, como generadores o fuentes que convierten CC a CA, el cargador puede suspender temporalmente el funcionamiento, ocasión en la que la luz roja se encenderá y apagará rápidamente dos veces, seguido de una pausa. Esto indica que la fuente de alimentación está fuera de los límites.

### Notas importantes sobre la carga

- Se puede obtener una mayor duración y un mejor rendimiento si la unidad de batería se carga a una temperatura ambiente de 18–24 °C (65–75 °F). NO cargue la unidad de batería a una temperatura ambiental inferior a +4.5 °C (+40 °F) o superior a +40.5 °C (+105 °F). Esto es importante y evitará causar daños graves a la batería.
- Puede que el cargador y la unidad de batería se calienten ligeramente durante el proceso de carga. Esto es normal y no representa ningún problema. Para facilitar el enfriamiento de la unidad de batería después del uso, evite colocar el cargador o la unidad de batería en un lugar cálido, como un cobertizo metálico o un remolque sin aislamiento térmico.
- Una unidad de batería fría se demora el doble del tiempo en cargarse que una unidad de batería caliente. La unidad de batería se cargará a ese ritmo más lento durante todo el ciclo de carga y no volverá a cargarse a la velocidad de carga máxima aún cuando la unidad de batería se caliente.
- Si la unidad de batería no se carga correctamente:
  - Verifique el funcionamiento de la toma enchufando una lámpara u otro aparato;
  - Revise que la toma de corriente no esté conectada a un interruptor de luz que corte la corriente cuando se corte la luz;
  - Mueva el cargador y la unidad de batería a un lugar donde la temperatura ambiental sea aproximadamente 18–24 °C (65–75 °F);
  - Si el problema de carga continúa, lleve la herramienta, unidad de batería y el cargador a su centro de servicio local.
- La unidad de batería debería ser recargada cuando no sea capaz de producir suficiente potencia para trabajos que eran fácilmente realizados antes. NO CONTINÚE usándola bajo estas circunstancias. Siga el procedimiento de carga. También puede cargar una unidad de batería que haya sido usada parcialmente cuando lo desee, sin dañarla.
- Los materiales ajenos conductores por naturaleza, tales como, pero sin limitarse a, el polvo del esmerilado, las virutas metálicas, la lana de acero, el papel de aluminio o cualquier acumulación de partículas metálicas deberían mantenerse alejados de las cavidades del cargador. Desenchufe siempre el cargador de la toma de corriente cuando no haya una unidad de batería en su cavidad. Desenchufe el cargador antes de intentar limpiarlo.
- No congele ni sumerja el cargador en agua o cualquier otro líquido.

**⚠ADVERTENCIA:** Peligro de descarga eléctrica. No permita que ningún líquido se introduzca en el cargador. Puede producir descargas eléctricas.

**⚠ADVERTENCIA:** Peligro de quemaduras. No sumerja la unidad de batería en líquido de ningún tipo ni permita que se introduzca ningún tipo de líquido a la unidad de batería. Nunca intente abrir la unidad de batería por ningún motivo. Si la caja plástica de la unidad de batería se triza o rompe, llévela a un centro de servicio para su reciclaje

### Recomendaciones de almacenamiento

- El mejor lugar de almacenamiento es uno que sea fresco y seco, lejos de la luz solar directa y del exceso de calor o frío.
- Para resultados óptimos durante tiempos prolongados de almacenamiento, se recomienda almacenar la unidad de batería completamente cargada en un lugar fresco y seco fuera del cargador.

**NOTA:** Las unidades de batería no deberían almacenarse completamente descargadas. La unidad de batería deberá recargarse antes de ser usada.

### GUARDE ESTAS INSTRUCCIONES PARA VOLVER A CONSULTAR EN EL FUTURO

### COMPONENTES (Fig. 1)

**⚠ADVERTENCIA:** Nunca modifique la herramienta eléctrica, ni tampoco ninguna de sus piezas. podría producir lesiones corporales o daños.

- |  |                                      |
|--|--------------------------------------|
| A. Interruptor tipo gatillo                          | E. Empuñadura                        |
| B. Botón de bloqueo                                  | F. Unidad de batería                 |
| C. Palanca de liberación de la abrazadera de la hoja | G. Botón de liberación de la batería |
| D. Base  |                                      |

### Interruptor tipo gatillo de velocidad variable (Fig. 1, 3)

#### BOTÓN DE BLOQUEO EN OFF Y INTERRUPTOR TIPO GATILLO

Su sierra viene equipada con un botón de bloqueo en off (B).

**Para bloquear el interruptor tipo gatillo**, presione el botón de bloqueo en off como lo muestra la Figura 3. Siempre bloquee el interruptor tipo gatillo (A) cuando transporte o guarde la herramienta para eliminar el riesgo de que esta se encienda accidentalmente. El botón de bloqueo en off es color **rojo** para indicar cuando el interruptor está en la posición **desbloqueada**.

**Para desbloquear el interruptor tipo gatillo**, presione el botón de bloqueo en off como lo muestra la Figura 3. Apriete el interruptor tipo gatillo para ENCENDER el motor. Para APAGAR el motor, suelte el interruptor tipo gatillo.

**⚠ADVERTENCIA:** Esta herramienta no tiene ningún dispositivo que bloquee la herramienta en ON (encendida) y no debería ser bloqueada en ON de ninguna manera.

El interruptor tipo gatillo de velocidad variable le dará mayor versatilidad. Mientras más se presione el gatillo, mayor será la velocidad de la sierra.

**⚠ATENCIÓN:** Sólo se recomienda el uso de la velocidad mínima para iniciar el corte. El uso prolongado de esta velocidad puede dañar la sierra.

### OPERACIÓN

**⚠ADVERTENCIA:** Para reducir el riesgo de lesiones personales graves, apague la herramienta y desconéctela de la fuente de energía antes de realizar ajustes o de retirar o instalar cualquier dispositivo o accesorio. Un arranque accidental podría causar lesiones.

### Cómo instalar y retirar la unidad de batería (Fig. 4)

**⚠ADVERTENCIA:** Para reducir el riesgo de lesiones, nunca presione el botón de liberación de la batería si no pretende quitar la unidad de batería. Si presiona el botón de liberación de la batería sin retirar la unidad de batería, ésta podría caerse inesperadamente de su lugar.

**NOTA:** Para mejores resultados, verifique que su unidad de batería esté completamente cargada.

Para instalar la unidad de batería (F) en el mango de la herramienta, alinee la unidad de batería con los rieles en el interior del mango de la herramienta y deslícela en el mango hasta que la unidad de batería quede firmemente insertada en la herramienta; verifique que ésta no se salga sola.

Para retirar la unidad de batería de la herramienta, presione los botones de liberación (G) y tire firmemente de la unidad de batería para sacarla del mango de la herramienta. Insértela en el cargador tal como se describe en la sección del cargador de este manual.

#### UNIDADES DE ALIMENTACIÓN CON INDICADOR DE CARGA (FIG. 4A)

Algunas unidades de alimentación DEWALT incluyen un indicador de carga que consiste de tres luces LED verdes que indican el nivel de carga que queda en la unidad de alimentación. Para activar el indicador de carga, presione y sostenga el botón del indicador (H). Se iluminará una combinación de las tres luces LED verdes, que indicará el nivel de carga que queda. Cuando el nivel de carga esté por debajo del nivel útil, el indicador no se iluminará, y la batería deberá recargarse.

**NOTA:** El indicador de carga es sólo eso: un indicador de la carga de la unidad de alimentación. No indica el nivel de funcionalidad de la herramienta y puede variar de acuerdo a las piezas del producto, la temperatura y la aplicación que el usuario le dé.

Para mayor información sobre unidades de batería con indicadores de carga, por favor llame al 1-800-4-DEWALT (1-800-433-9258) o visite nuestro sitio Web: www.dewalt.com.

### Instalación y extracción de la hoja (Fig. 5–7, 11)

**⚠ADVERTENCIA:** Para reducir el riesgo de lesiones personales graves, apague la herramienta y desconéctela de la fuente de energía antes de realizar ajustes o de retirar o instalar cualquier dispositivo o accesorio. Un arranque accidental podría causar lesiones.

Hay diferentes longitudes de hojas disponibles. Use la hoja apropiada para la aplicación. La hoja debería tener más de 89 mm (3-1/2 pulg.) de largo y debería sobresalir más allá de la base metálica y del grosor de la pieza de trabajo durante el corte. No use hojas para sierras de vaivén con esta herramienta.

**⚠ADVERTENCIA:** Peligro de corte. La hoja puede romperse si no sobresale más allá de la base metálica y la pieza de trabajo durante el corte (Fig. 5). Esto puede causar un mayor riesgo de lesiones corporales, como también de daño a la base metálica y pieza de trabajo.

#### PARA INSTALAR LA HOJA EN LA SIERRA

- Tire hacia arriba la palanca de liberación de la abrazadera de la hoja (C) (Fig. 6).
- Inserte el vástago de la hoja desde adelante.
- Empuje hacia abajo la palanca de liberación de la abrazadera de la hoja.

**NOTA:** La hoja se puede instalar en la **DCS380** en cuatro posiciones, como lo muestra la Figura 7. La hoja se puede instalar en la **DCS381** en dos posiciones, como lo muestra la Figura 7. Ambas unidades permiten que la hoja se instale al revés, para ayudar con cortes al ras; ver Figura 11.

#### PARA EXTRAER LA HOJA DE LA SIERRA

**⚠ATENCIÓN:** Peligro de quemadura. No toque la hoja inmediatamente después de usarla. El contacto con la hoja podría resultar en lesión corporal.

- Levante la palanca de liberación de la abrazadera de la hoja.
- Extraiga la hoja.



## Corte con la Segueta en Posición Horizontal (sólo DCS380) (Fig. 8)

Su DCS380 viene equipada con una abrazadera de hoja horizontal. La instalación de una segueta en posición horizontal permite cortar cerca de pisos, paredes o techos donde existe poco espacio libre. Asegúrese que la base esté presionada contra el marco para evitar que rebote.

## Base ajustable (sólo DCS380) (Fig. 1, 9)

**¡ATENCIÓN:** Peligro de corte. Para evitar perder el control, nunca utilice esta herramienta sin su base.

Su DCS380 viene con una base ajustable. La base se ajusta para limitar la profundidad de corte. Sujete la sierra con el lado inferior hacia arriba. Empuje el botón del mango y deslice la base hacia fuera, hacia una de las tres posiciones preestablecidas y suelte el botón.

La DCS381 viene con una base fija no ajustable.

## Corte (Fig. 10–13)

**¡ADVERTENCIA:** Utilice siempre protección para los ojos. Todos los usuarios y espectadores deben utilizar protección para los ojos conforme con las normas ANSI Z87.1.

**¡ADVERTENCIA:** Use cautela adicional cuando corte hacia sí. Siempre sostenga la sierra firmemente con ambas manos mientras corte.

Antes de cortar cualquier tipo de material, asegúrese que está firmemente anclado o sujeto con abrazaderas para prevenir que se corra. Ponga la hoja ligeramente sobre la pieza que será cortada, encienda el motor de la sierra y permita que alcance su velocidad máxima antes de aplicar presión. Cuando sea posible, la base metálica de la sierra deberá ser sostenida firmemente contra el material que se está cortando (Fig. 10). Esto evitará que la sierra salte o vibre y minimiza la posibilidad de que la hoja se rompa. Cualquier corte que ponga presión sobre la hoja, como cortes en ángulo o contorneados, aumentan el potencial de vibración, rebote y rompimiento de la hoja.

**¡ADVERTENCIA:** Sea más cauteloso cuando corte objetos que se encuentren encima suyo y sobre todo ponga atención a los cables que se encuentren encima suyo que podrían estar ocultos. Tenga en cuenta las posibles trayectorias que seguirían ramas y desechos al caerse.

**¡ADVERTENCIA:** Inspeccione el emplazamiento de trabajo, buscando cañerías de gas o agua o instalaciones eléctricas ocultas antes de hacer cortes ciegos o verticales. De lo contrario, podría resultar en explosión, daño a propiedad, descarga eléctrica o lesiones corporales serias.

## CORTES AL RAS (FIG. 11)

El diseño compacto de la caja del motor de la sierra y la caja del eje permite la realización de cortes al ras en suelos, esquinas y otras áreas problemáticas.

## CORTE CENTRAL (TIPO ORIFICIO) O VERTICAL – SÓLO CON MADERA (FIG. 12)

El paso inicial del corte central es medir el área de la superficie que será cortada y marcarla bien con lápiz, tiza o un trazador. Use la hoja apropiada a la aplicación. La hoja debería tener más de 89 mm (3-1/2 pulg.) de largo y debería sobresalir más allá de la base metálica y del grosor de la pieza de trabajo durante el corte. Inserte la hoja en la abrazadera.

Luego, incline la sierra hacia atrás hasta que el borde posterior repose sobre la superficie de trabajo y la hoja no toque la superficie de la pieza (posición 1, Fig. 12). Ahora encienda el motor y permita que la sierra alcance la velocidad máxima. Toma la sierra con ambas manos firmemente y comience a levantar el mango de la sierra en forma lenta y deliberada, mientras mantiene la parte inferior de la base firmemente en contacto con la pieza de trabajo (posición 2, Fig. 12). La hoja empezará a penetrar el material. Siempre verifique que la hoja ha penetrado por completo el material antes de avanzar el corte interior.

**NOTA:** En aquellas áreas en las que es difícil ver la hoja, use el borde de la base metálica como guía. Las líneas de cualquier corte deberían extenderse más allá del borde del corte a realizar.

## CORTE DE METALES (FIG. 13)

Su sierra tiene diferentes capacidades de corte de metal, dependiendo del tipo de hoja utilizado y el metal a cortar. Use una hoja más fina para metales féreos y una más gruesa para materiales no-féreos. Para metales en láminas de calibres finos, es mejor colocar un pedazo de madera en cada lado de la lámina y sujetarlo a ella con abrazaderas. Esto garantizará un corte limpio sin vibración excesiva o desgarramiento del metal. Siempre recuerde no forzar la hoja de corte ya que esto reduce la duración de la hoja y causa un rompimiento costoso de la hoja.

**NOTA:** Se recomienda generalmente que cuando corte metales aplique una capa fina de aceite u otro lubricante en la línea de corte antes de aserrar para un funcionamiento más fácil y una mayor duración de la hoja.

## MANTENIMIENTO

**¡ADVERTENCIA:** Para reducir el riesgo de lesiones personales graves, apague la herramienta y desconéctela de la fuente de energía antes de realizar ajustes o de retirar o instalar cualquier dispositivo o accesorio. Un arranque accidental podría causar lesiones.

## Limpieza

**¡ADVERTENCIA:** Sople la suciedad y el polvo de todos los conductos de ventilación con aire seco, al menos una vez por semana. Para reducir el riesgo de lesiones, utilice siempre protección para los ojos aprobada ANSI Z87.1 al realizar esta tarea.

**¡ADVERTENCIA:** Nunca utilice solventes ni otros químicos abrasivos para limpiar las piezas no metálicas de la herramienta. Estos productos químicos pueden debilitar los materiales plásticos utilizados en estas piezas. Utilice un paño humedecido sólo con agua y jabón neutro. Nunca permita que penetre líquido dentro de la herramienta ni sumerja ninguna de las piezas en un líquido.

## INSTRUCCIONES DE LIMPIEZA DEL CARGADOR

**¡ADVERTENCIA:** Riesgo de descarga eléctrica. Desconecte el cargador del tomacorriente de CA antes de limpiarlo. Se puede usar un paño o un cepillo suave, que no sea metálico, para quitar la suciedad y la grasa de la parte externa del cargador. No use agua ni cualquier otra solución de limpieza.

## Accesorios

**¡ADVERTENCIA:** Debido a que no se han probado con este producto otros accesorios que no sean los que ofrece DEWALT, el uso de dichos accesorios con esta herramienta podría ser peligroso. Para reducir el riesgo de lesiones, con este producto deben usarse sólo los accesorios recomendados por DEWALT.

Los accesorios que se recomiendan para utilizar con la herramienta están disponibles a un costo adicional en su distribuidor local o en un centro de mantenimiento autorizado. Si necesita ayuda para localizar algún accesorio, póngase en contacto con DEWALT Industrial Tool Co., 701 East Joppa Road, Baltimore, MD 21286, llame al 1-800-4-DEWALT (1-800-433-9258) o visite nuestro sitio web www.dewalt.com.

## Reparaciones

El cargador y las unidades de batería no pueden ser reparados. El cargador y la unidad de batería no contienen piezas reparables.

Para asegurar la SEGURIDAD y la CONFIABILIDAD del producto, las reparaciones, el mantenimiento y los ajustes deben (inclusive inspección y cambio de carbones) ser realizados en un centro de mantenimiento en la fábrica DEWALT, en un centro de mantenimiento autorizado DEWALT u por otro personal de mantenimiento calificado. Utilice siempre piezas de repuesto idénticas.

### PARA REPARACIÓN Y SERVICIO DE SUS HERRAMIENTAS ELÉCTRICAS, FAVOR DE DIRIGIRSE AL CENTRO DE SERVICIO MÁS CERCANO

<b>CULIACAN, SIN</b> Blvd.Emiliano Zapata 5400-1 Poniente Col. San Rafael	(667) 717 89 99
<b>GUADALAJARA, JAL</b> Av. La Paz #1779 - Col. Americana Sector Juárez	(33) 3825 6978
<b>MEXICO, D.F.</b> Eje Central Lázaro Cárdenas No. 18 Local D, Col. Obrera	(55) 5588 9377
<b>MERIDA, YUC</b> Calle 63 #459-A - Col. Centro	(999) 928 5038
<b>MONTERREY, N.L.</b> Av. Francisco I. Madero 831 Poniente - Col. Centro	(818) 375 23 13
<b>PUEBLA, PUE</b> 17 Norte #205 - Col. Centro	(222) 246 3714
<b>QUERETARO, QRO</b> Av. San Roque 274 - Col. San Gregorio	(442) 2 17 63 14
<b>SAN LUIS POTOSÍ, SLP</b> Av. Universidad 1525 - Col. San Luis	(444) 814 2383
<b>TORREON, COAH</b> Blvd. Independencia, 96 Pte. - Col. Centro	(871) 716 5265
<b>VERACRUZ, VER</b> Prolongación Díaz Mirón #4280 - Col. Remes	(229) 921 7016
<b>VILLAHERMOSA, TAB</b> Constitución 516-A - Col. Centro	(993) 312 5111

#### PARA OTRAS LOCALIDADES:

Si se encuentra en México, por favor llame al (55) 5326 7100  
Si se encuentra en U.S., por favor llame al  
1-800-433-9258 (1-800 4-DEWALT)

## Póliza de Garantía

IDENTIFICACIÓN DEL PRODUCTO:

Sello o firma del Distribuidor.

Nombre del producto: \_\_\_\_\_ Mod./Cat.: \_\_\_\_\_

Marca: \_\_\_\_\_ Núm. de serie: \_\_\_\_\_

(Datos para ser llenados por el distribuidor)

Fecha de compra y/o entrega del producto: \_\_\_\_\_

Nombre y domicilio del distribuidor donde se adquirió el producto:

Este producto está garantizado por un año a partir de la fecha de entrega, contra cualquier defecto en su funcionamiento, así como en materiales y mano de obra empleados para su fabricación. Nuestra garantía incluye la reparación o reposición del producto y/o componentes sin cargo alguno para el cliente, incluyendo mano de obra, así como los gastos de transportación razonablemente erogados derivados del cumplimiento de este certificado.

Para hacer efectiva esta garantía deberá presentar su herramienta y esta póliza sellada por el establecimiento comercial donde se adquirió el producto, de no contar con ésta, bastará la factura de compra.

## EXCEPCIONES

Esta garantía no será válida en los siguientes casos:

- Cuando el producto se hubiese utilizado en condiciones distintas a las normales;
- Cuando el producto no hubiese sido operado de acuerdo con el instructivo de uso que se acompaña;
- Cuando el producto hubiese sido alterado o reparado por personas distintas a las enlistadas al final de este certificado.

Anexo encontrará una relación de sucursales de servicio de fábrica, centros de servicio autorizados y franquiciados en la República Mexicana, donde podrá hacer efectiva su garantía y adquirir partes, refacciones y accesorios originales.

## Garantía limitada por tres años

DEWALT reparará, sin cargo, cualquier falla que surja de defectos en el material o la fabricación del producto, por hasta tres años a contar de la fecha de compra. Esta garantía no cubre fallas de las piezas causadas por su desgaste normal o abuso a la herramienta. Para mayores detalles sobre la cobertura de la garantía e información acerca de reparaciones realizadas bajo garantía, visítenos en www.dewalt.com o dirígame al centro de servicio más cercano. Esta garantía no aplica a accesorios o a daños causados por reparaciones realizadas o intentadas por terceros. Esta garantía le otorga derechos legales específicos, además de los cuales puede tener otros dependiendo del estado o la provincia en que se encuentre.

Además de la garantía, las herramientas DEWALT están cubiertas por:

### 1 AÑO DE SERVICIO GRATUITO

DEWALT mantendrá la herramienta y reemplazará las piezas gastadas por su uso normal, sin cobro, en cualquier momento durante un año a contar de la fecha de compra. Los artículos gastados por la clavadora, tales como la unidad de hoja y retorno del impulsador, no están cubiertas.

### 2 AÑOS DE SERVICIO GRATUITO PARA UNIDADES DE ALIMENTACIÓN DEWALT

DC9071, DC9091, DC9096, DC9280, DC9360, DC9180, DCB120 y DCB201

### 3 AÑOS DE SERVICIO GRATUITO PARA UNIDADES DE ALIMENTACIÓN DEWALT

DCB200

### UNIDADES DE ALIMENTACIÓN DEWALT

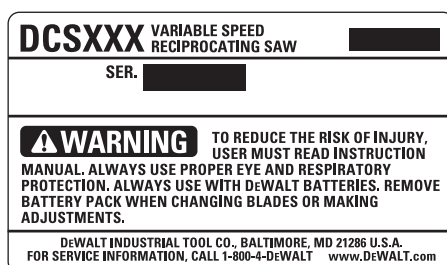
La garantía del producto quedará nula si la unidad de alimentación ha sido alterada de cualquier manera. DEWALT no es responsable de ninguna lesión causada por alteraciones y podría iniciar un procedimiento judicial por fraude de garantía hasta el máximo grado permisible por la ley.

### GARANTÍA DE REEMBOLSO DE SU DINERO POR 90 DÍAS

Si no está completamente satisfecho con el desempeño de su máquina herramienta, láser o clavadora DEWALT, cualquiera sea el motivo, podrá devolverlo hasta 90 días de la fecha de compra con su recibo y obtener el reembolso completo de su dinero – sin necesidad de responder a ninguna pregunta.

**AMÉRICA LATINA:** Esta garantía no se aplica a los productos que se venden en América Latina. Para los productos que se venden en América Latina, debe consultar la información de la garantía específica del país que viene en el empaque, llamar a la compañía local o visitar el sitio Web a fin de obtener esa información.

**REEMPLAZO GRATUITO DE LAS ETIQUETAS DE ADVERTENCIAS:** Si sus etiquetas de advertencia se vuelven ilegibles o faltan, llame al 1-800-4-DEWALT (1-800-433-9258) para que se le reemplacen gratuitamente.



## ESPECIFICACIONES

DCS380	20 V Máx*	0–3 000 SPM
DCS381	20 V Máx*	0–3 000 SPM

SOLAMENTE PARA PROPÓSITO DE MÉXICO:  
IMPORTADO POR: BLACK & DECKER S.A. DE C.V.  
AVENIDA ANTONIO DOVALI JAIME, # 70 TORRE B PISO 9  
COLONIA LA FE, SANTA FÉ  
CÓDIGO POSTAL : 01210  
DELEGACIÓN ALVARO OB REGÓN  
MÉXICO D.F.  
TEL. (52) 555-326-7100  
R.F.C.: BDE810626-1W7

Para servicio y ventas consulte  
"HERRAMIENTAS ELÉCTRICAS"  
en la sección amarilla.



Battery	Output	Chargers/Charge Time (Minutes) – Chargeurs/Durée de charge (Minutes) – Cargadores de baterías/Tiempo de carga (Minutos)																								
		120 Volts										12 Volts														
		DC9360	DC9280	DW0242	DC9096	DC9099	DC9180	DC9181	DCB200	DCB201	DW9096	DW9098	DW9099	DC9094	DW9091	DW9094	DW9094	DCB120	DC9071	DW9050	DW9072	DW9048	DW9061	DW9062	DW9057	
	36	X	X	X	X	X	X	X	X	X	X	X	X	X	X	X	X	X	X	X	X	X	X	X	X	X
	28	X	X	X	X	X	X	X	X	X	X	X	X	X	X	X	X	X	X	X	X	X	X	X	X	X
	24	X	X	X	X	X	X	X	X	X	X	X	X	X	X	X	X	X	X	X	X	X	X	X	X	X
	18	X	X	X	X	X	X	X	X	X	X	X	X	X	X	X	X	X	X	X	X	X	X	X	X	X
	18	X	X	X	X	X	X	X	X	X	X	X	X	X	X	X	X	X	X	X	X	X	X	X	X	X
	18	X	X	X	X	X	X	X	X	X	X	X	X	X	X	X	X	X	X	X	X	X	X	X	X	X
	20	X	X	X	X	X	X	X	X	X	X	X	X	X	X	X	X	X	X	X	X	X	X	X	X	X
	20	X	X	X	X	X	X	X	X	X	X	X	X	X	X	X	X	X	X	X	X	X	X	X	X	X
	18	X	X	X	X	X	X	X	X	X	X	X	X	X	X	X	X	X	X	X	X	X	X	X	X	X
	18	X	X	X	X	X	X	X	X	X	X	X	X	X	X	X	X	X	X	X	X	X	X	X	X	X
	14.4	X	X	X	X	X	X	X	X	X	X	X	X	X	X	X	X	X	X	X	X	X	X	X	X	X
	14.4	X	X	X	X	X	X	X	X	X	X	X	X	X	X	X	X	X	X	X	X	X	X	X	X	X
	14.4	X	X	X	X	X	X	X	X	X	X	X	X	X	X	X	X	X	X	X	X	X	X	X	X	X
	14.4	X	X	X	X	X	X	X	X	X	X	X	X	X	X	X	X	X	X	X	X	X	X	X	X	X
	12	X	X	X	X	X	X	X	X	X	X	X	X	X	X	X	X	X	X	X	X	X	X	X	X	X
	12	X	X	X	X	X	X	X	X	X	X	X	X	X	X	X	X	X	X	X	X	X	X	X	X	X
	12	X	X	X	X	X	X	X	X	X	X	X	X	X	X	X	X	X	X	X	X	X	X	X	X	X
	9.6	X	X	X	X	X	X	X	X	X	X	X	X	X	X	X	X	X	X	X	X	X	X	X	X	X
	9.6	X	X	X	X	X	X	X	X	X	X	X	X	X	X	X	X	X	X	X	X	X	X	X	X	X
	7.2	X	X	X	X	X	X	X	X	X	X	X	X	X	X	X	X	X	X	X	X	X	X	X	X	X

\*"X" indicates that the battery pack is not compatible with that specific charger.

"X" indique que le bloc-piles n'est pas compatible avec ce chargeur.

Una "X" indica que el paquete de baterías no es compatible con ese determinado cargador.

All charge times are approximate. Actual charge time may vary. Read the instruction manual for more specific information.

Les durées de charge sont approximatives; la durée de charge peut varier. Lire le manuel d'utilisation pour obtenir des renseignements plus précis.

El tiempo de duración de carga es aproximado; la duración de carga real puede variar. Lea el manual de instrucciones para obtener información más precisa.

\* Maximum initial battery voltage (measured without a workload) is 20 volts. Nominal voltage is 18.

\* La tension initiale maximum du bloc-piles (mesurée à vide) est de 20 volts. La tension nominale est de 18.

\* El máximo voltaje inicial de la batería (medido sin carga de trabajo) es 20 voltios. El voltaje nominal es de 18.



If you have questions or comments, contact us.  
Pour toute question ou tout commentaire, nous contacter.  
Si tiene dudas o comentarios, contáctenos.

1-800-4-DEWALT • www.dewalt.com

INSTRUCTION MANUAL  
GUIDE D'UTILISATION  
MANUAL DE INSTRUCCIONES

INSTRUCTIVO DE OPERACIÓN, CENTROS DE SERVICIO Y PÓLIZA DE GARANTÍA. ADVERTENCIA: LEASE ESTE INSTRUCTIVO ANTES DE USAR EL PRODUCTO.

# DEWALT®

DCF885

1/4" (6.35 mm) 20V Max\* Cordless Impact Driver

Visseuse à percussion sans fil de 6,35 mm (1/4 po), 20 V max\*

Destornillador de impacto inalámbrico de 6,35 mm (1/4 pulg.) 20 V Máx\*

DEWALT Industrial Tool Co., 701 East Joppa Road, Baltimore, MD 21286  
(MAR11) Part No. N084693 DCF885 Copyright © 2011 DEWALT

The following are trademarks for one or more DEWALT power tools: the yellow and black color scheme, the "D" shaped air intake grill, the array of pyramids on the handgrip, the kit box configuration, and the array of lozenge-shaped humps on the surface of the tool.

### Definitions: Safety Guidelines

The definitions below describe the level of severity for each signal word. Please read the manual and pay attention to these symbols.

**▲DANGER:** Indicates an imminently hazardous situation which, if not avoided, will result in **death or serious injury**.

**▲WARNING:** Indicates a potentially hazardous situation which, if not avoided, could result in **death or serious injury**.

**▲CAUTION:** Indicates a potentially hazardous situation which, if not avoided, may result in **minor or moderate injury**.

**NOTICE:** Indicates a practice **not related to personal injury** which, if not avoided, may result in **property damage**.

IF YOU HAVE ANY QUESTIONS OR COMMENTS ABOUT THIS OR ANY DEWALT TOOL, CALL US TOLL FREE AT: 1-800-4-DEWALT (1-800-433-9258).

**WARNING:** To reduce the risk of injury, read the instruction manual.

### General Power Tool Safety Warnings

**WARNING!** Read all safety warnings and all instructions. Failure to follow the warnings and instructions may result in electric shock, fire and/or serious injury.

### SAVE ALL WARNINGS AND INSTRUCTIONS FOR FUTURE REFERENCE

The term "power tool" in the warnings refers to your mains-operated (corded) power tool or battery-operated (cordless) power tool.

#### 1) WORK AREA SAFETY

- Keep work area clean and well lit. Cluttered or dark areas invite accidents.
- Do not operate power tools in explosive atmospheres, such as in the presence of flammable liquids, gases or dust. Power tools create sparks which may ignite the dust or fumes.
- Keep children and bystanders away while operating a power tool. Distractions can cause you to lose control.

#### 2) ELECTRICAL SAFETY

- Power tool plugs must match the outlet. Never modify the plug in any way. Do not use any adapter plugs with earthed (grounded) power tools. Unmodified plugs and matching outlets will reduce risk of electric shock.
- Avoid body contact with earthed or grounded surfaces such as pipes, radiators, ranges and refrigerators. There is an increased risk of electric shock if your body is earthed or grounded.
- Do not expose power tools to rain or wet conditions. Water entering a power tool will increase the risk of electric shock.
- Do not abuse the cord. Never use the cord for carrying, pulling or unplugging the power tool. Keep cord away from heat, oil, sharp edges or moving parts. Damaged or entangled cords increase the risk of electric shock.
- When operating a power tool outdoors, use an extension cord suitable for outdoor use. Use of a cord suitable for outdoor use reduces the risk of electric shock.
- If operating a power tool in a damp location is unavoidable, use a ground fault circuit interrupter (GFCI) protected supply. Use of a GFCI reduces the risk of electric shock.

#### 3) PERSONAL SAFETY

- Stay alert, watch what you are doing and use common sense when operating a power tool. Do not use a power tool while you are tired or under the influence of drugs, alcohol or medication. A moment of inattention while operating power tools may result in serious personal injury.
- Use personal protective equipment. Always wear eye protection. Protective equipment such as dust mask, non-skid safety shoes, hard hat, or hearing protection used for appropriate conditions will reduce personal injuries.
- Prevent unintentional starting. Ensure the switch is in the off position before connecting to power source and/or battery pack, picking up or carrying the tool. Carrying power tools with your finger on the switch or energizing power tools that have the switch on invites accidents.
- Remove any adjusting key or wrench before turning the power tool on. A wrench or a key left attached to a rotating part of the power tool may result in personal injury.
- Do not overreach. Keep proper footing and balance at all times. This enables better control of the power tool in unexpected situations.
- Dress properly. Do not wear loose clothing or jewelry. Keep your hair, clothing and gloves away from moving parts. Loose clothes, jewelry or long hair can be caught in moving parts.
- If devices are provided for the connection of dust extraction and collection facilities, ensure these are connected and properly used. Use of dust collection can reduce dust-related hazards.

#### 4) POWER TOOL USE AND CARE

- Do not force the power tool. Use the correct power tool for your application. The correct power tool will do the job better and safer at the rate for which it was designed.
- Do not use the power tool if the switch does not turn it on and off. Any power tool that cannot be controlled with the switch is dangerous and must be repaired.
- Disconnect the plug from the power source and/or the battery pack from the power tool before making any adjustments, changing accessories, or storing power tools. Such preventive safety measures reduce the risk of starting the power tool accidentally.
- Store idle power tools out of the reach of children and do not allow persons unfamiliar with the power tool or these instructions to operate the power tool. Power tools are dangerous in the hands of untrained users.
- Maintain power tools. Check for misalignment or binding of moving parts, breakage of parts and any other condition that may affect the power tool's operation. If damaged, have the power tool repaired before use. Many accidents are caused by poorly maintained power tools.
- Keep cutting tools sharp and clean. Properly maintained cutting tools with sharp cutting edges are less likely to bind and are easier to control.
- Use the power tool, accessories and tool bits, etc. in accordance with these instructions, taking into account the working conditions and the work to be performed. Use of the power tool for operations different from those intended could result in a hazardous situation.

#### 5) BATTERY TOOL USE AND CARE

- Recharge only with the charger specified by the manufacturer. A charger that is suitable for one type of battery pack may create a risk of fire when used with another battery pack.
- Use power tools only with specifically designated battery packs. Use of any other battery packs may create a risk of injury and fire.

c) When battery pack is not in use, keep it away from other metal objects like paper clips, coins, keys, nails, screws, or other small metal objects that can make a connection from one terminal to another. Shorting the battery terminals together may cause burns or a fire.

d) Under abusive conditions, liquid may be ejected from the battery; avoid contact. If contact accidentally occurs, flush with water. If liquid contacts eyes, additionally seek medical help. Liquid ejected from the battery may cause irritation or burns.

#### 6) SERVICE

- Have your power tool serviced by a qualified repair person using only identical replacement parts. This will ensure that the safety of the power tool is maintained.

#### Additional Specific Safety Rules

- Hold power tool by insulated gripping surfaces when performing an operation where the fastener may contact hidden wiring. Fasteners contacting a "live" wire may make exposed metal parts of the power tool "live" and could give the operator an electric shock.
- Use clamps or other practical way to secure and support the workpiece to a stable platform. Holding the work by hand or against your body is unstable and may lead to loss of control.
- Wear safety goggles or other eye protection. Hammering and drilling operations cause chips to fly. Flying particles can cause permanent eye damage.
- Bits, sockets and tools get hot during operation. Wear gloves when touching them.
- Air vents often cover moving parts and should be avoided. Loose clothes, jewelry or long hair can be caught in moving parts.
- Do not operate this tool for long periods of time. Vibration caused by tool action may be harmful to your hands and arms. Use gloves to provide extra cushion and limit exposure by taking frequent rest periods.

**▲WARNING: ALWAYS** use safety glasses. Everyday eyeglasses are NOT safety glasses. Also use face or dust mask if cutting operation is dusty. ALWAYS WEAR CERTIFIED SAFETY EQUIPMENT:

- ANSI Z87.1 eye protection (CAN/CSA Z94.3),
- ANSI S12.6 (S3.19) hearing protection,
- NIOSH/OSHA/MSHA respiratory protection.

**▲WARNING:** Some dust created by power sanding, sawing, grinding, drilling, and other construction activities contains chemicals known to the State of California to cause cancer, birth defects or other reproductive harm. Some examples of these chemicals are:

- lead from lead-based paints,
- crystalline silica from bricks and cement and other masonry products, and
- arsenic and chromium from chemically-treated lumber.

Your risk from these exposures varies, depending on how often you do this type of work. To reduce your exposure to these chemicals: work in a well ventilated area, and work with approved safety equipment, such as those dust masks that are specially designed to filter out microscopic particles.

**▲WARNING: Avoid prolonged contact with dust from power sanding, sawing, grinding, drilling, and other construction activities. Wear protective clothing and wash exposed areas with soap and water.** Allowing dust to get into your mouth, eyes, or lay on the skin may promote absorption of harmful chemicals.

**▲WARNING:** Use of this tool can generate and/or disburse dust, which may cause serious and permanent respiratory or other injury. Always use NIOSH/OSHA approved respiratory protection appropriate for the dust exposure. Direct particles away from face and body.

**▲WARNING: ALWAYS wear proper personal hearing protection that conforms to ANSI S12.6 (S3.19) during use.** Under some conditions and duration of use, noise from this product may contribute to hearing loss.

**▲CAUTION: When not in use, place tool on its side on a stable surface where it will not cause a tripping or falling hazard.** Some tools with large battery packs will stand upright on the battery pack but may be easily knocked over.

The label on your tool may include the following symbols. The symbols and their definitions are as follows:

V.....volts	A..... amperes
Hz.....hertz	W..... watts
min .....minutes	~ .....alternating current
— — — .....direct current	⎓ ..... alternating or direct current
Ⓜ..... Class I Construction (grounded)	n <sub>0</sub> ..... no load speed
Ⓜ..... Class II Construction (double insulated)	Ⓧ ..... earthing terminal
.../min .....per minute	▲..... safety alert symbol
IPM.....impacts per minute	BPM.....beats per minute
	RPM..... revolutions per minute

#### Important Safety Instructions for All Battery Packs

When ordering replacement battery packs, be sure to include the catalog number and voltage. Consult the chart at the end of this manual for compatibility of chargers and battery packs.

The battery pack is not fully charged out of the carton. Before using the battery pack and charger, read the safety instructions below and then follow charging procedures outlined.

#### READ ALL INSTRUCTIONS

- Do not charge or use the battery pack in explosive atmospheres, such as in the presence of flammable liquids, gases or dust. Inserting or removing the battery pack from the charger may ignite the dust or fumes.
- NEVER force the battery pack into the charger. DO NOT modify the battery pack in any way to fit into a non-compatible charger as battery pack may rupture causing serious personal injury. Consult the chart at the end of this manual for compatibility of batteries and chargers.
- Charge the battery packs only in designated DEWALT chargers.
- DO NOT splash or immerse in water or other liquids.
- Do not store or use the tool and battery pack in locations where the temperature may reach or exceed 105°F (40°C) (such as outside sheds or metal buildings in summer). For best life store battery packs in a cool, dry location.

**NOTE: Do not store the battery packs in a tool with the trigger switch locked on. Never tape the trigger switch in the ON position.**

**▲WARNING:** Fire hazard. Never attempt to open the battery pack for any reason. If the battery pack case is cracked or damaged, do not insert into the charger. Do not crush, drop or damage the battery pack. Do not use a battery pack or charger that has received a sharp blow, been dropped, run over or damaged in any way (e.g., pierced with a nail, hit with a hammer, stepped on). Damaged battery packs should be returned to the service center for recycling.

**▲WARNING: Fire hazard. Do not store or carry the battery pack so that metal objects can contact exposed battery terminals.** For example, do not place the battery pack in aprons, pockets, tool boxes, product kit boxes, drawers, etc., with loose nails, screws, keys, etc. **Transporting batteries can possibly cause fires if the battery terminals inadvertently come in contact with conductive materials such as keys, coins, hand tools and the like.** The US Department of Transportation Hazardous Material Regulations (HMR) actually prohibit transporting batteries in commerce or on airplanes (e.g., packed in suitcases and carry-on luggage) UNLESS they are properly protected from short circuits. So when transporting individual battery packs, make sure that the battery terminals are protected and well insulated from materials that could contact them and cause a short circuit.

#### SPECIFIC SAFETY INSTRUCTIONS FOR LITHIUM ION (Li-Ion)

- Do not incinerate the battery pack even if it is severely damaged or is completely worn out. The battery pack can explode in a fire. Toxic fumes and materials are created when lithium ion battery packs are burned.
- If battery contents come into contact with the skin, immediately wash area with mild soap and water. If battery liquid gets into the eye, rinse water over the open eye for 15 minutes or until irritation ceases. If medical attention is needed, the battery electrolyte is composed of a mixture of liquid organic carbonates and lithium salts.
- Contents of opened battery cells may cause respiratory irritation. Provide fresh air. If symptoms persist, seek medical attention.

**▲WARNING:** Burn hazard. Battery liquid may be flammable if exposed to spark or flame.

#### The RBRC™ Seal

The RBRC™ (Rechargeable Battery Recycling Corporation) Seal on the nickel cadmium, nickel metal hydride or lithium ion batteries (or battery packs) indicate that the costs to recycle these batteries (or battery packs) at the end of their useful life have already been paid by DEWALT. In some areas, it is illegal to place spent nickel cadmium, nickel metal hydride or lithium ion batteries in the trash or municipal solid waste stream and the RBRC program provides an environmentally conscious alternative.



RBRC™, in cooperation with DEWALT and other battery users, has established programs in the United States and Canada to facilitate the collection of spent nickel cadmium, nickel metal hydride or lithium ion batteries. Help protect our environment and conserve natural resources by returning the spent nickel cadmium, nickel metal hydride or lithium ion batteries to an authorized DEWALT service center or to your local retailer for recycling. You may also contact your local recycling center for information on where to drop off the spent battery.

RBRC™ is a registered trademark of the Rechargeable Battery Recycling Corporation.

#### Important Safety Instructions for All Battery Chargers

**SAVE THESE INSTRUCTIONS:** This manual contains important safety and operating instructions for battery chargers.

- Before using the charger, read all instructions and cautionary markings on the charger, battery pack and product using the battery pack.

**▲WARNING:** Shock hazard. Do not allow any liquid to get inside the charger. Electric shock may result.

**▲CAUTION:** Burn hazard. To reduce the risk of injury, charge only DEWALT rechargeable battery packs. Other types of batteries may overheat and burst resulting in personal injury and property damage.

**NOTICE:** Under certain conditions, with the charger plugged into the power supply, the charger can be shorted by foreign material. Foreign materials of a conductive nature, such as, but not limited to, grinding dust, metal chips, steel wool, aluminum foil or any buildup of metallic particles should be kept away from the charger cavities. Always unplug the charger from the power supply when there is no battery pack in the cavity. Unplug the charger before attempting to clean.

- DO NOT attempt to charge the battery pack with any chargers other than the ones in this manual. The charger and battery pack are specifically designed to work together.
- These chargers are not intended for any uses other than charging DEWALT rechargeable batteries. Any other uses may result in risk of fire, electric shock or electrocution.
- Do not expose the charger to rain or snow.
- Pull by the plug rather than the cord when disconnecting the charger. This will reduce the risk of damage to the electric plug and cord.
- Make sure that the cord is located so that it will not be stepped on, tripped over or otherwise subjected to damage or stress.
- Do not use an extension cord unless it is absolutely necessary. Use of improper extension cord could result in risk of fire, electric shock or electrocution.
- When operating a charger outdoors, always provide a dry location and use an extension cord suitable for outdoor use. Use of a cord suitable for outdoor use reduces the risk of electric shock.



• **An extension cord must have adequate wire size (AWG or American Wire Gauge) for safety.** The smaller the gauge number of the wire, the greater the capacity of the cable, that is, 16 gauge has more capacity than 18 gauge. An undersized cord will cause a drop in line voltage resulting in loss of power and overheating. When using more than one extension to make up the total length, be sure each individual extension contains at least the minimum wire size. The following table shows the correct size to use depending on cord length and nameplate ampere rating. If in doubt, use the next heavier gauge. The lower the gauge number, the heavier the cord.

Ampere Rating		Minimum Gauge for Cord Sets				
		Volts	Total Length of Cord in Feet (meters)			
		120V	25 (7.6)	50 (15.2)	100 (30.5)	150 (45.7)
		240V	50 (15.2)	100 (30.5)	200 (61.0)	300 (91.4)
More Than	Not More Than	AWG				
0	6		18	16	16	14
6	10		18	16	14	12
10	12		16	16	14	12
12	16		14	12	Not Recommended	

- **Do not place any object on top of the charger or place the charger on a soft surface that might block the ventilation slots and result in excessive internal heat.** Place the charger in a position away from any heat source. The charger is ventilated through slots in the top and the bottom of the housing.
- **Do not operate the charger with a damaged cord or plug.**
- **Do not operate the charger if it has received a sharp blow, been dropped or otherwise damaged in any way.** Take it to an authorized service center.
- **Do not disassemble the charger; take it to an authorized service center when service or repair is required.** Incorrect reassembly may result in a risk of electric shock, electrocution or fire.
- **Disconnect the charger from the outlet before attempting any cleaning.** This will reduce the risk of electric shock. Removing the battery pack will not reduce this risk.
- **NEVER attempt to connect 2 chargers together.**
- **The charger is designed to operate on standard 120V household electrical power. Do not attempt to use it on any other voltage.** This does not apply to the vehicular charger.

## Chargers

Your tool uses a DEWALT charger. Be sure to read all safety instructions before using your charger. Consult the chart at the end of this manual for compatibility of chargers and battery packs.

### Charging Procedure (Fig. 2)

1. Plug the charger into an appropriate outlet before inserting the battery pack.
2. Insert the battery pack (F) into the charger, as shown in Figure 2, making sure the pack is fully seated in charger. The red (charging) light will blink continuously, indicating that the charging process has started.
3. The completion of charge will be indicated by the red light remaining ON continuously. The pack is fully charged and may be used at this time or left in the charger.

### Indicator Light Operation

	PACK CHARGING	— — — — —
	PACK CHARGED	—————
	HOT/COLD DELAY	— • — • — • — • — • — •
	PROBLEM PACK OR CHARGER	••••••••••
	PROBLEM POWERLINE	•• •• •• •• ••

### Charge Indicators

This charger is designed to detect certain problems that can arise. Problems are indicated by the red light flashing at a fast rate. If this occurs, re-insert the battery pack into the charger. If the problem persists, try a different battery pack to determine if the charger is working properly. If the new pack charges correctly, then the original pack is defective and should be returned to a service center or other collection site for recycling. If the new battery pack elicits the same trouble indication as the original, have the charger and the battery pack tested at an authorized service center.

#### HOT/COLD DELAY

This charger has a hot/cold delay feature: when the charger detects a battery that is hot, it automatically starts a delay, suspending charging until the battery has cooled. After the battery has cooled, the charger automatically switches to the pack charging mode. This feature ensures maximum battery life. The red light flashes long, then short while in the hot/cold delay mode.

#### LEAVING THE BATTERY PACK IN THE CHARGER

The charger and battery pack can be left connected with the charge indicator showing Pack Charged.

**WEAK BATTERY PACKS:** Weak batteries will continue to function but should not be expected to perform as much work.

**FAULTY BATTERY PACKS:** This charger will not charge a faulty battery pack. The charger will indicate faulty battery pack by refusing to light or by displaying problem pack or charger.

**NOTE:** This could also mean a problem with a charger.

### Important Charging Notes

1. Longest life and best performance can be obtained if the battery pack is charged when the air temperature is between 65°F and 75°F (18°–24°C). DO NOT charge the battery pack in an air temperature below +40°F (+4.5°C), or above +105°F (+40.5°C). This is important and will prevent serious damage to the battery pack.
2. The charger and battery pack may become warm to the touch while charging. This is a normal condition, and does not indicate a problem. To facilitate the cooling of the battery pack after use, avoid placing the charger or battery pack in a warm environment such as in a metal shed or an uninsulated trailer.
3. A cold battery pack will charge at about half the rate of a warm battery pack. The battery pack will charge at that slower rate throughout the entire charging cycle and will not return to maximum charge rate even if the battery pack warms.
4. If the battery pack does not charge properly:
  - a. Check operation of receptacle by plugging in a lamp or other appliance;
  - b. Check to see if receptacle is connected to a light switch which turns power off when you turn out the lights;
  - c. Move the charger and battery pack to a location where the surrounding air temperature is approximately 65°F–75°F (18°–24°C);
  - d. If charging problems persist, take the tool, battery pack and charger to your local service center.
5. The battery pack should be recharged when it fails to produce sufficient power on jobs which were easily done previously. DO NOT CONTINUE to use under these conditions. Follow the charging procedure. You may also charge a partially used pack whenever you desire with no adverse effect on the battery pack.
6. Foreign materials of a conductive nature such as, but not limited to, grinding dust, metal chips, steel wool, aluminum foil, or any buildup of metallic particles should be kept away from charger cavities. Always unplug the charger from the power supply when there is no battery pack in the cavity. Unplug the charger before attempting to clean.
7. Do not freeze or immerse the charger in water or any other liquid.

**▲WARNING: Shock hazard. Don't allow any liquid to get inside the charger. Electric shock may result.**

**▲WARNING: Burn hazard. Do not submerge the battery pack in any liquid or allow any liquid to enter the battery pack. Never attempt to open the battery pack for any reason. If the plastic housing of the battery pack breaks or cracks, return to a service center for recycling.**

### Storage Recommendations

1. The best storage place is one that is cool and dry, away from direct sunlight and excess heat or cold.
2. For long storage, it is recommended to store a fully charged battery pack in a cool dry place out of the charger for optimal results.

**NOTE:** Battery packs should not be stored completely depleted of charge. The battery pack will need to be recharged before use.

## SAVE THESE INSTRUCTIONS FOR FUTURE USE

### COMPONENTS (Fig. 1)

**▲WARNING: Never modify the power tool or any part of it. Damage or personal injury could result.**

A. Trigger switch	F. Battery pack
B. Forward/reverse button	G. Worklight
C. Chuck collar	H. Belt hook (optional accessory)
D. 1/4" (6.35 mm) hex quick-release chuck	I. Screw
E. Battery release button	

#### INTENDED USE

These impact wrench/drivers are designed for professional impact screwdriving applications. The impact function makes this tool particularly useful for driving fasteners in wood, metal and concrete.

**DO NOT** use under wet conditions or in presence of flammable liquids or gases.

These heavy-duty impact wrench/drivers are professional power tools. **DO NOT** let children come into contact with the tool. Supervision is required when inexperienced operators use this tool.

#### Belt Hook (Optional Accessory) (Fig. 1)

**▲WARNING: To reduce the risk of serious personal injury, place the forward/reverse button in the lock-off position or turn tool off and disconnect battery pack before making any adjustments or removing/installing attachments or accessories.**

**▲WARNING: To reduce the risk of serious personal injury, DO NOT suspend tool overhead or suspend objects from the belt hook. ONLY hang tool's belt hook from a work belt.**

**▲WARNING: To reduce the risk of serious personal injury, ensure the screw holding the belt hook is secure.**

**IMPORTANT:** When attaching or replacing the belt hook, use only the screw (I) that is provided. Be sure to securely tighten the screw.

The belt hook (H) can be attached to either side of the tool using only the screw (I) provided, to accommodate left- or right- handed users. If the hook is not desired at all, it can be removed from the tool.

To move belt hook, remove the screw (I) that holds the belt hook in place then reassemble on the opposite side. Be sure to securely tighten the screw.

#### OPERATION

**▲WARNING: To reduce the risk of serious personal injury, place the forward/reverse button in the lock-off position or turn tool off and disconnect battery pack before making any adjustments or removing/installing attachments or accessories.**

#### Installing and Removing the Battery Pack (Fig. 3)

**NOTE:** For best results, make sure your battery pack is fully charged.

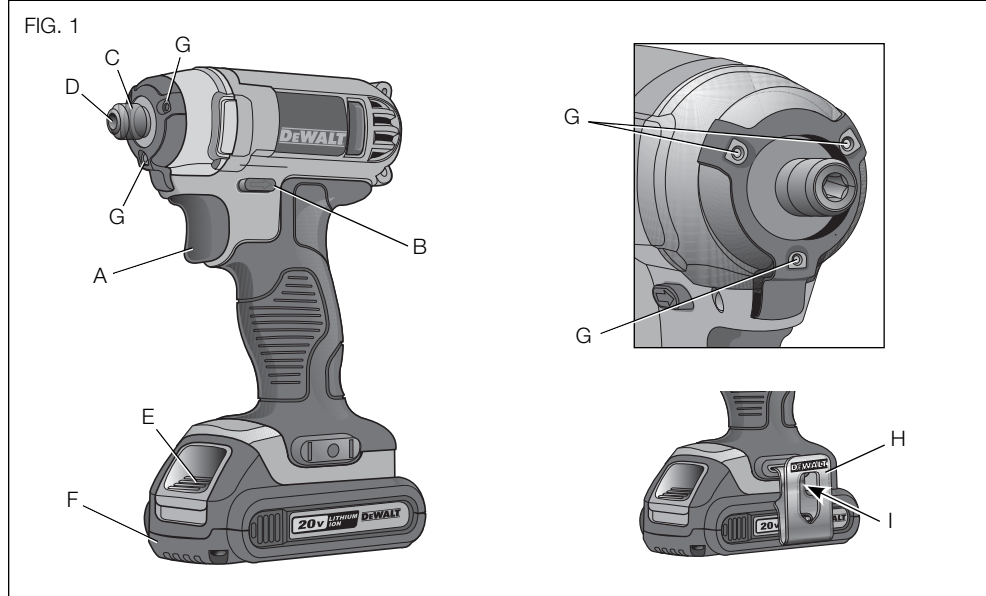


FIG. 2

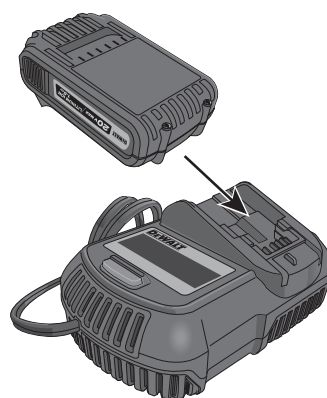


FIG. 3

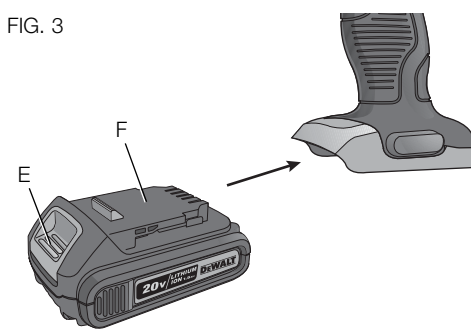


FIG. 4

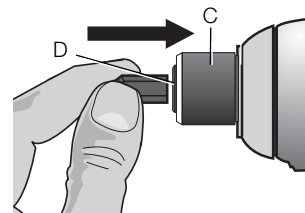
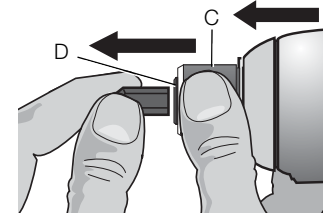


FIG. 5



To install the battery pack (F) into the tool handle, align the battery pack with the rails inside the tool's handle and slide it into the handle until the battery pack is firmly seated in the tool and ensure that it does not disengage.

To remove the battery pack from the tool, press the release button (E) and firmly pull the battery pack out of the tool handle. Insert it into the charger as described in the charger section of this manual.

### Variable Speed Trigger Switch (Fig. 1)

To turn the tool on, squeeze the trigger switch (A). To turn the tool off, release the trigger switch. Your tool is equipped with a brake. The chuck will stop when the trigger switch is fully released. The variable speed switch enables you to select the best speed for a particular application. The more you squeeze the trigger, the faster the tool will operate. For maximum tool life, use variable speed only for starting holes or fasteners.

**NOTE:** Continuous use in variable speed range is not recommended. It may damage the switch and should be avoided.

### Forward/Reverse Control Button (Fig. 1)

A forward/reverse control button (B) determines the direction of the tool and also serves as a lock-off button.

To select forward rotation, release the trigger switch and depress the forward/reverse control button on the right side of the tool.

To select reverse, release the trigger switch and depress the forward/reverse control button on the left side of the tool.

The center position of the control button locks the tool in the OFF position. When changing the position of the control button, be sure the trigger is released.

**NOTE:** The first time the tool is run after changing the direction of rotation, you may hear a click on start up. This is normal and does not indicate a problem.

### Worklights (Fig. 1)

There are three worklights (G) located around the chuck collar (C). The worklights are activated when the trigger switch is depressed, and will automatically turn off 20 seconds after the trigger switch is released. If the trigger switch remains depressed, the worklights will remain on.

**NOTE:** The worklights are for lighting the immediate work surface and are not intended to be used as a flashlight.

### Quick-Release Chuck (Fig. 1, 4, 5)

**NOTE:** The chuck accepts 1/4" (6.35 mm) hex accessories and 1" (25.4 mm) bit tips only.

Place the forward/reverse button (B) in the lock-off (center) position or remove battery pack before changing accessories.

To install an accessory, fully insert the accessory. The accessory is locked into place (Fig. 4).

To remove an accessory, pull the chuck collar (C) away from the front of the tool. Remove the accessory (Fig. 5).

### Usage

Your impact tool can generate the following maximum torque:

Cat #	Ft.-Lbs.	In.-Lbs.	Nm
DCF885	117	1400	155

**▲CAUTION: Ensure fastener and/or system will withstand the level of torque generated by the tool. Excessive torque may cause breakage and possible personal injury.**

1. Place the socket on the fastener head. Keep the tool pointed straight at the fastener.
2. Press switch to start operation. Release switch to stop operation. Always check torque with a torque wrench, as the fastening torque is affected by many factors including the following:
  - **Voltage:** Low voltage, due to a nearly discharged battery, will reduce fastening torque.
  - **Socket size:** Failure to use the correct socket size will cause a reduction in fastening torque.
  - **Bolt size:** Larger bolt diameters generally require higher fastening torque. Fastening torque will also vary according to length, grade, and torque coefficient.
  - **Bolt:** Ensure that all threads are free of rust and other debris to allow proper fastening torque.
  - **Material:** The type of material and surface finish of the material will affect fastening torque.
  - **Fastening time:** Longer fastening time results in increased fastening torque. Using a longer fastening time than recommended could cause the fasteners to be overstressed, stripped or damaged.

### MAINTENANCE

**▲WARNING: To reduce the risk of serious personal injury, place the forward/reverse button in the lock-off position or turn tool off and disconnect battery pack before making any adjustments or removing/installing attachments or accessories.**

#### Cleaning

**▲WARNING: Blow dirt and dust out of all air vents with clean, dry air at least once a week. To minimize the risk of eye injury, always wear ANSI Z87.1 approved eye protection when performing this.**

**▲WARNING: Never use solvents or other harsh chemicals for cleaning the non-metallic parts of the tool. These chemicals may weaken the plastic materials used in these parts. Use a cloth dampened only with water and mild soap. Never let any liquid get inside the tool; never immerse any part of the tool into a liquid.**

#### CHARGER CLEANING INSTRUCTIONS

**▲WARNING: Shock hazard. Disconnect the charger from the AC outlet before cleaning. Dirt and grease may be removed from the exterior of the charger using a cloth or soft non-metallic brush. Do not use water or any cleaning solutions.**

#### Accessories

**▲WARNING: Since accessories, other than those offered by DEWALT, have not been tested with this product, use of such accessories with this tool could be hazardous. To reduce the risk of injury, only DEWALT recommended accessories should be used with this product.**

Recommended accessories for use with your tool are available at extra cost from your local service center. If you need any assistance in locating any accessory, please contact DEWALT Industrial Tool Co., 701 East Joppa Road, Baltimore, MD 21286, call 1-800-4-DEWALT (1-800-433-9258) or visit our website: www.dewalt.com.

**▲WARNING: To reduce the risk of injury, use only DEWALT impact-ready accessories.**

**▲CAUTION: Use only impact sockets. Non-impact sockets may break and cause a hazardous condition. Inspect socket prior to use to ensure that it contains no cracks.**

#### Repairs

The charger and battery pack are not serviceable. There are no serviceable parts inside the charger or battery pack.

To assure product SAFETY and RELIABILITY, repairs, maintenance and adjustments (including brush inspection and replacement) should be performed by a DEWALT factory service center, a DEWALT authorized service center or other qualified service personnel. Always use identical replacement parts.

### Three Year Limited Warranty

DEWALT will repair, without charge, any defects due to faulty materials or workmanship for three years from the date of purchase. This warranty does not cover part failure due to normal wear or tool abuse. For further detail of warranty coverage and warranty repair information, visit www.dewalt.com or call 1-800-4-DEWALT (1-800-433-9258). This warranty does not apply to accessories or damage caused where repairs have been made or attempted by others. This warranty gives you specific legal rights and you may have other rights which vary in certain states or provinces.

In addition to the warranty, DEWALT tools are covered by our:

#### 1 YEAR FREE SERVICE

DEWALT will maintain the tool and replace worn parts caused by normal use, for free, any time during the first year after purchase.



**2 YEARS FREE SERVICE ON DEWALT BATTERY PACKS**  
DC9071, DC9091, DC9096, DC9280, DC9360, DC9180 and DCB200

### 90 DAY MONEY BACK GUARANTEE

If you are not completely satisfied with the performance of your DeWALT Power Tool, Laser, or Nailer for any reason, you can return it within 90 days from the date of purchase with a receipt for a full refund – no questions asked.

**LATIN AMERICA:** This warranty does not apply to products sold in Latin America. For products sold in Latin America, see country specific warranty information contained in the packaging, call the local company or see website for warranty information.

**FREE WARNING LABEL REPLACEMENT:** If your warning labels become illegible or are missing, call 1-800-4-DEWALT (1-800-433-9258) for a free replacement.



## Définitions : lignes directrices en matière de sécurité

Les définitions ci-dessous décrivent le niveau de danger pour chaque mot-indicateur employé. Lire le mode d'emploi et porter une attention particulière à ces symboles.

**⚠ DANGER** : indique une situation dangereuse imminente qui, si elle n'est pas évitée, entraînera la mort ou des blessures graves

**⚠ AVERTISSEMENT** : indique une situation potentiellement dangereuse qui, si elle n'est pas évitée, pourrait entraîner la mort ou des blessures graves

**⚠ ATTENTION** : indique une situation potentiellement dangereuse qui, si elle n'est pas évitée, pourrait entraîner des blessures légères ou modérées.

**AVIS** : Indique une pratique ne posant aucun risque de dommages corporels mais qui par contre, si rien n'est fait pour l'éviter, pourrait poser des risques de dommages matériels.

POUR TOUTE QUESTION OU REMARQUE AU SUJET DE CET OUTIL OU DE TOUT AUTRE OUTIL DeWALT, COMPOSEZ LE NUMÉRO SANS FRAIS : **1-800-4-DEWALT (1-800-433-9258)**.

**⚠ AVERTISSEMENT** : afin de réduire le risque de blessures, lire le mode d'emploi de l'outil.

## Avertissements de sécurité généraux pour les outils électriques

**⚠ AVERTISSEMENT!** Lire tous les avertissements de sécurité et toutes les directives. Le non-respect des avertissements et des directives pourrait se solder par un choc électrique, un incendie et/ou une blessure grave.

## CONSERVER TOUS LES AVERTISSEMENTS ET TOUTES LES DIRECTIVES POUR UN USAGE ULTÉRIEUR

Le terme « outil électrique » cité dans les avertissements se rapporte à votre outil électrique à alimentation sur secteur (avec fil) ou par piles (sans fil).

### 1) SÉCURITÉ DU LIEU DE TRAVAIL

- Tenir l'aire de travail propre et bien éclairée.** Les lieux encombrés ou sombres sont propices aux accidents.
- Ne pas faire fonctionner d'outils électriques dans un milieu déflagrant, tel qu'en présence de liquides, de gaz ou de poussières inflammables.** Les outils électriques produisent des étincelles qui pourraient enflammer la poussière ou les vapeurs.
- Éloigner les enfants et les personnes à proximité pendant l'utilisation d'un outil électrique.** Une distraction pourrait en faire perdre la maîtrise à l'utilisateur.

### 2) SÉCURITÉ EN MATIÈRE D'ÉLECTRICITÉ

- Les fiches des outils électriques doivent correspondre à la prise. Ne jamais modifier la fiche d'aucune façon. Ne jamais utiliser de fiche d'adaptation avec un outil électrique mis à la terre.** Le risque de choc électrique sera réduit par l'utilisation de fiches non modifiées correspondant à la prise.
- Éviter tout contact physique avec des surfaces mises à la terre comme des tuyaux, des radiateurs, des cuisinières et des réfrigérateurs.** Le risque de choc électrique est plus élevé si votre corps est mis à la terre.
- Ne pas exposer les outils électriques à la pluie ou à l'humidité.** La pénétration de l'eau dans un outil électrique augmente le risque de choc électrique.
- Ne pas utiliser le cordon de façon abusive. Ne jamais utiliser le cordon pour transporter, tirer ou débrancher un outil électrique. Tenir le cordon éloigné de la chaleur, de l'huile, des bords tranchants et des pièces mobiles.** Les cordons endommagés ou enchevêtrés augmentent les risques de choc électrique.
- Pour l'utilisation d'un outil électrique à l'extérieur, se servir d'une rallonge convenant à cette application.** L'utilisation d'une rallonge conçue pour l'extérieur réduira les risques de choc électrique.
- S'il est impossible d'éviter l'utilisation d'un outil électrique dans un endroit humide, brancher l'outil dans une prise ou sur un circuit d'alimentation dotés d'un disjoncteur de fuite à la terre (GFCI).** L'utilisation de ce type de disjoncteur réduit les risques de choc électrique.

### 3) SÉCURITÉ PERSONNELLE

- Être vigilant, surveiller le travail effectué et faire preuve de jugement lorsqu'un outil électrique est utilisé. Ne pas utiliser d'outil électrique en cas de fatigue ou sous l'influence de drogues, d'alcool ou de médicaments.** Un simple moment d'inattention en utilisant un outil électrique peut entraîner des blessures corporelles graves.
- Utiliser des équipements de protection individuelle. Toujours porter une protection oculaire.** L'utilisation d'équipements de protection comme un masque antipoussière, des chaussures antidérapantes, un casque de sécurité ou des protecteurs auditifs lorsque la situation le requiert réduira les risques de blessures corporelles.
- Empêcher les démarrages intempestifs. S'assurer que l'interrupteur se trouve à la position d'arrêt avant de relier l'outil à une source d'alimentation et/ou d'insérer un bloc-piles, de ramasser ou de transporter l'outil.** Transporter un outil électrique alors que le doigt repose sur l'interrupteur ou brancher un outil électrique dont l'interrupteur est à la position de marche risque de provoquer un accident.
- Retirer toute clé de réglage ou clé avant de démarrer l'outil.** Une clé ou une clé de réglage attachée à une partie pivotante de l'outil électrique peut provoquer des blessures corporelles.
- Ne pas trop tendre les bras. Conserver son équilibre en tout temps.** Cela permet de mieux maîtriser l'outil électrique dans les situations imprévues.
- S'habiller de manière appropriée. Ne pas porter de vêtements amples ni de bijoux. Garder les cheveux, les vêtements et les gants à l'écart des pièces mobiles.** Les vêtements amples, les bijoux ou les cheveux longs risquent de rester coincés dans les pièces mobiles.
- Si des composants sont fournis pour le raccordement de dispositifs de dépolluissage et de ramassage, s'assurer que ceux-ci sont bien raccordés et utilisés.** L'utilisation d'un dispositif de dépolluissage peut réduire les dangers engendrés par les poussières.

### 4) UTILISATION ET ENTRETIEN D'UN OUTIL ÉLECTRIQUE

- Ne pas forcer un outil électrique. Utiliser l'outil électrique approprié à l'application.** L'outil électrique approprié effectuera un meilleur travail, de façon plus sûre et à la vitesse pour laquelle il a été conçu.
- Ne pas utiliser un outil électrique dont l'interrupteur est défectueux.** Tout outil électrique dont l'interrupteur est défectueux est dangereux et doit être réparé.
- Débrancher la fiche de la source d'alimentation et/ou du bloc-piles de l'outil électrique avant de faire tout réglage ou changement d'accessoire ou avant de ranger l'outil.** Ces mesures préventives réduisent les risques de démarrage accidentel de l'outil électrique.
- Ranger les outils électriques hors de la portée des enfants et ne permettre à aucune personne n'étant pas familière avec un outil électrique ou son mode d'emploi d'utiliser cet outil.** Les outils électriques deviennent dangereux entre les mains d'utilisateurs inexpérimentés.
- Entretien des outils électriques. Vérifier si les pièces mobiles sont mal alignées ou coincées, si des pièces sont brisées ou présentent toute autre condition susceptible de nuire au bon fonctionnement de l'outil électrique. En cas de dommage, faire réparer l'outil électrique avant toute nouvelle utilisation.** Beaucoup d'accidents sont causés par des outils électriques mal entretenus.
- S'assurer que les outils de coupe sont aiguisés et propres.** Les outils de coupe bien entretenus et affûtés sont moins susceptibles de se coincer et sont plus faciles à maîtriser.
- Utiliser l'outil électrique, les accessoires, les forets, etc. conformément aux présentes directives en tenant compte des conditions de travail et du travail à effectuer.** L'utilisation d'un outil électrique pour toute opération autre que celle pour laquelle il a été conçu est dangereuse.

### 5) UTILISATION ET ENTRETIEN DU BLOC-PILES

- Ne recharger l'outil qu'au moyen du chargeur précisé par le fabricant.** L'utilisation d'un chargeur qui convient à un type de bloc-piles risque de provoquer un incendie s'il est utilisé avec un autre type de bloc-piles.
- Utiliser les outils électriques uniquement avec les bloc-piles conçus à cet effet.** L'utilisation de tout autre bloc-piles risque de causer des blessures ou un incendie.
- Lorsque le bloc-piles n'est pas utilisé, le tenir éloigné des objets métalliques, notamment des trombones, de la monnaie, des clés, des clous, des vis ou autres petits objets métalliques qui peuvent établir une connexion entre les deux bornes.** Le court-circuit des bornes du bloc-piles risque de provoquer des brûlures ou un incendie.
- En cas d'utilisation abusive, le liquide peut gicler hors du bloc-piles; éviter tout contact avec ce liquide. Si un contact accidentel se produit, laver à grande eau. Si le liquide entre en contact avec les yeux, obtenir également des soins médicaux.** Le liquide qui gicle hors du bloc-piles peut provoquer des irritations ou des brûlures.

### 6) RÉPARATION

- Faire réparer l'outil électrique par un réparateur professionnel en n'utilisant que des pièces de rechange identiques.** Cela permettra de maintenir une utilisation sécuritaire de l'outil électrique.

## Règles particulières de sécurité additionnelles

- Tenir l'outil par les surfaces isolées prévues à cet effet pendant toute utilisation où l'attache pourrait entrer en contact avec des fils électriques cachés.** Tout contact par ces attaches avec un fil sous tension mettra les parties métalliques exposées de l'outil sous tension et électrocuttera l'utilisateur.
- Utiliser des serre-joints ou tout autre moyen pour fixer et immobiliser le matériau sur une surface stable.** Tenir la pièce à la main ou contre son corps offre une stabilité insuffisante qui pourrait vous en faire perdre le contrôle.
- Porter des lunettes de protection ou toute autre protection oculaire.** Le martelage et le perçage peuvent faire voltiger des éclats. Ces particules volantes pourraient occasionner des dommages oculaires permanents.

- Les mèches, les douilles et l'outil peuvent devenir brûlants au toucher pendant l'utilisation.** Porter des gants avant tout contact.

- Prendre des précautions à proximité des événements, car ils cachent des pièces mobiles.** Vêtements amples, bijoux ou cheveux longs risquent de rester coincés dans ces pièces mobiles.
- Ne pas utiliser cet outil de façon prolongée.** Les vibrations causées par l'outil peuvent poser des risques pour les mains ou les bras. Porter des gants pour amortir les vibrations, et pour limiter les risques, faire des pauses fréquentes.

**⚠ AVERTISSEMENT : TOUJOURS** porter des lunettes de sécurité. Les lunettes de vue ne constituent PAS des lunettes de sécurité. Utiliser également un masque facial ou anti-poussière si l'opération de découpe génère de la poussière. TOUJOURS UTILISER DE L'ÉQUIPEMENT DE PROTECTION HOMOLOGUÉ :

- protection oculaire conforme à la norme ANSI Z87.1 (CAN/CSA Z94.3),
- protection auditive conforme à la norme ANSI S12.6 (S3.19) et
- protection des voies respiratoires conformes aux normes NIOSH/OSHA/MSHA.

**⚠ AVERTISSEMENT** : les scies, meules, ponceuses, perceuses ou autres outils de construction peuvent produire des poussières contenant des produits chimiques reconnus par l'État californien pour causer cancers, malformations congénitales ou être nocifs au système reproducteur. Parmi ces produits chimiques, on retrouve :

- Le plomb dans les peintures à base de plomb;
- La silice cristallisée dans les briques et le ciment, ou autres produits de maçonnerie; et
- L'arsenic et le chrome dans le bois ayant subi un traitement chimique.

Le risque associé à ces expositions varie selon la fréquence de ces types de travaux. Pour réduire l'exposition aux produits chimiques : travailler dans un local bien ventilé et utiliser du matériel de sécurité approuvé, comme les masques antipoussières spécialement conçus pour filtrer les particules microscopiques.

- Éviter le contact prolongé avec la poussière provenant du ponçage, du sciage, du meulage et du forage mécanique ainsi que d'autres activités de construction. Porter des vêtements de protection et laver les parties exposées au savon et à l'eau.** La poussière qui pourrait pénétrer dans la bouche et les yeux ou se déposer sur la peau peut favoriser l'absorption de produits chimiques nocifs.

**⚠ AVERTISSEMENT** : Cet outil peut produire et répandre de la poussière susceptible de causer des dommages sérieux et permanents au système respiratoire. Toujours utiliser un appareil respiratoire anti-poussières approuvé par le NIOSH ou l'OSHA. Diriger les particules dans le sens opposé du visage et du corps.

**⚠ AVERTISSEMENT : TOUJOURS** porter une protection auditive appropriée conformément à la norme ANSI S12.6 (S3.19) lors de l'utilisation du produit. Dans certaines conditions et selon la durée d'utilisation, le bruit émis par ce produit peut contribuer à une perte auditive.

**⚠ ATTENTION** : Après utilisation, ranger l'outil sur son côté sur une surface stable là où il ne pourra faire ni trébucher ni tomber personne. Certains outils équipés d'un large bloc-pile peuvent tenir à la verticale sur ce dernier mais ils sont alors facilement déstabilisés.

- L'étiquette apposée sur votre outil peut comprendre les symboles suivants. Les symboles et leurs définitions sont indiqués ci-après :

V.....volts	A.....ampères
Hz.....hertz	W.....watts
min.....minutes	~.....courant alternatif
==.....courant continu	∞.....courant alternatif ou continu
Ⓜ.....Classe I fabrication (mis à la terre)	n <sub>0</sub> .....vitesse à vide
Ⓜ.....fabrication Classe II (double isolation)	⊕.....borne de terre
.../min.....par minute	⚠.....symbole d'avertissement
IPM.....impacts par minute	BPM.....battements par minute
	r/min.....tours par minute

## Consignes de sécurité importantes propres à tous les blocs-piles

Pour commander un bloc-piles de rechange, s'assurer d'inclure son numéro de catalogue et sa tension. Consulter le tableau en dernière page de ce manuel pour connaître les compatibilités entre chargeurs et blocs-piles.

Le bloc-piles n'est pas totalement chargé d'usine. Avant d'utiliser le bloc-piles et le chargeur, lire les consignes de sécurité ci-dessous. Puis suivre la procédure de charge indiquée.

### LIRE TOUTES LES CONSIGNES

- Ne pas recharger ou utiliser un bloc-piles en milieu déflagrant, en présence, par exemple, de poussières, gaz ou liquides inflammables.** Le fait d'insérer ou retirer un bloc-piles de son chargeur pourrait causer l'inflammation de poussières ou d'émanations.
- NE JAMAIS forcer l'insertion d'un bloc-piles dans un chargeur. NE modifier un bloc-piles d'AUCUNE façon pour le faire rentrer dans un chargeur incompatible, car il pourrait se briser et causer des dommages corporels graves.** Consulter le tableau en dernière page de ce manuel pour connaître les compatibilités entre chargeurs et blocs-piles.
- Recharger les blocs-piles exclusivement dans des chargeurs DeWALT.
- NE PAS** élabousser le bloc-piles ou l'immerger dans l'eau ou dans tout autre liquide.
- Ne pas entreposer ou utiliser l'appareil et le bloc-piles en présence de températures ambiantes pouvant excéder 40 °C (105 °F) (comme dans des hangars ou des bâtiments métalliques l'été).** Pour préserver leur durée de vie, entreposer les blocs-piles dans un endroit frais et sec.

**REMARQUE** : ne pas mettre un bloc-piles dans un outil dont la gâchette est verrouillée en position de marche. Ne jamais bloquer l'interrupteur en position de MARCHÉ.

**⚠ AVERTISSEMENT** : risques d'incendie. Ne jamais tenter d'ouvrir le bloc-piles pour quelque raison que ce soit. Si le boîtier du bloc-piles est fissuré ou endommagé, ne pas l'insérer dans un chargeur. Ne pas écraser, laisser tomber, ou endommager les blocs-piles. Ne pas utiliser un bloc-piles ou un chargeur qui a reçu un choc violent, ou si l'appareil est tombé, a été écrasé ou endommagé de quelque façon que ce soit (p. ex. percé par un clou, frappé d'un coup de marteau, piétiné). Les blocs-piles endommagés doivent être renvoyés à un centre de réparation pour y être recyclés.

**⚠ AVERTISSEMENT** : risques d'incendie. Au moment de ranger ou transporter le bloc-piles, s'assurer qu'aucun objet métallique n'entre en contact avec les bornes à découvert du bloc-piles. Par exemple, éviter de placer un bloc-piles dans un tablier, une poche, une boîte à outils ou un tiroir, etc. contenant des objets tels que des clous, des vis, des clés, etc. **Le fait de transporter des bloc-piles comporte des risques d'incendie, car les bornes des piles pourraient entrer, par inadvertance, en contact avec des objets conducteurs, tels que : clés, pièces de monnaie, outils ou autres.** La réglementation sur les produits dangereux (Hazardous Material Regulations) du département américain des transports interdit, en fait, le transport des piles pour le commerce ou dans les avions (ex : dans les bagages enregistrés ou à main) À MOINS qu'elles ne soient correctement protégées contre tout court-circuit. Aussi lors du transport individuel de blocs-piles, s'assurer que leurs bornes sont bien protégées et isolées de tout matériau pouvant entrer en contact avec elles et provoquer un court-circuit.

### CONSIGNES DE SÉCURITÉ PROPRES AUX PILES AU LITHIUM-ION (Li-ion)

- Ne pas incinérer le bloc-piles même s'il est sévèrement endommagé ou complètement usagé,** car il pourrait exploser et causer un incendie. Pendant l'incinération des blocs-piles au lithium-ion, des vapeurs et matières toxiques sont dégagées.
- En cas de contact du liquide de la pile avec la peau, rincer immédiatement au savon doux et à l'eau.** En cas de contact oculaire, rincer l'œil ouvert à l'eau claire une quinzaine de minutes ou jusqu'à ce que l'irritation cesse. Si des soins médicaux s'avéraient nécessaires, noter que l'électrolyte de la pile est composé d'un mélange de carbonates organiques liquides et de sels de lithium.
- Le contenu des cellules d'une pile ouverte peut causer une irritation respiratoire.** En cas d'inhalation, exposer l'individu à l'air libre. Si les symptômes persistent, consulter un médecin.

**⚠ AVERTISSEMENT** : risques de brûlure. Le liquide de la pile peut s'enflammer s'il est exposé à des étincelles ou à une flamme.

### Le sceau SRPRC<sup>MC</sup>

Le sceau SRPRC<sup>MC</sup> (Société de recyclage des piles rechargeables au Canada) apposé sur une pile au nickel-cadmium, à hydrure métallique de nickel ou au lithium-ion (ou un bloc-piles) indique que les coûts de recyclage de ces derniers en fin d'utilisation ont déjà été réglés par DeWALT. Dans certaines régions, la mise au rebut ou aux ordures municipales des piles au nickel-cadmium, à l'hydrure métallique de nickel ou au lithium-ion, est illégale ; le programme de SRPRC constitue donc une solution pratique et écologique.

La SRPRC<sup>MC</sup>, en collaboration avec DeWALT et d'autres utilisateurs de piles, a mis sur pied des programmes aux États-Unis et au Canada pour faciliter la collecte des piles au nickel-cadmium, à l'hydrure métallique de nickel ou au lithium-ion usagées. Aidez-nous à protéger l'environnement et à conserver nos ressources naturelles en renvoyant les piles au nickel-cadmium, à l'hydrure métallique de nickel ou au lithium-ion usagées à un centre de réparation autorisé DeWALT ou chez votre détaillant afin qu'elles y soient recyclées. On peut en outre se renseigner auprès d'un centre de recyclage local pour connaître d'autres sites les acceptant.

SRPRC<sup>MC</sup> est une marque déposée de la Société de recyclage des piles rechargeables au Canada.



## Directives de sécurité importantes propres à tous les chargeurs de piles

**CONSERVER CES INSTRUCTIONS** : ce manuel contient des directives de sécurité et d'utilisation importantes propres aux chargeurs de piles.

- Avant d'utiliser le chargeur, lire toute consigne et tout avertissement apposés sur le chargeur, le bloc-piles et le produit utilisant le bloc-piles.

**⚠ AVERTISSEMENT** : risques de chocs électriques. Ne laisser aucun liquide pénétrer dans le chargeur, des chocs électriques pourraient en résulter.

**⚠ ATTENTION** : risques de brûlure. Pour réduire tout risque de dommages corporels, ne recharger que des blocs-piles rechargeables DeWALT. Tout autre type de piles pourrait exploser et causer des dommages corporels et matériels.

**AVIS** : sous certaines conditions, lorsque le chargeur est connecté au bloc d'alimentation, des matériaux étrangers pourraient court-circuiter le chargeur. Les corps étrangers conducteurs tels que (mais pas limité à) poussières de rectification, débris métalliques, laine d'acier, feuilles d'aluminium, ou toute accumulation de particules métalliques doivent être maintenus à distance des orifices du chargeur. Débrancher systématiquement le chargeur lorsque le bloc-piles n'y est pas inséré. Débrancher systématiquement le chargeur avant tout entretien.

- NE PAS tenter de charger de bloc-piles avec des chargeurs autres que ceux décrits dans ce manuel.** Le chargeur et son bloc-piles ont été conçus tout spécialement pour fonctionner ensemble.
- Ces chargeurs n'ont pas été conçus pour une utilisation autre que recharger les blocs-piles rechargeables DeWALT.** Toute autre utilisation comporte des risques d'incendie, de chocs électriques ou d'électrocution.
- Protéger le chargeur de la pluie ou de la neige.**
- Tirer sur la fiche plutôt que sur le cordon pour débrancher le chargeur.** Cela permet de réduire les risques d'endommager la fiche ou le cordon d'alimentation.
- S'assurer que le cordon est protégé de manière à ce que personne ne marche ni ne trébuché dessus, ou à ce qu'il ne soit ni endommagé ni soumis à aucune tension.**
- N'utiliser une rallonge qu'en cas de nécessité absolue.** L'utilisation d'une rallonge inadéquate comporte des risques d'incendie, de chocs électriques ou d'électrocution.
- Pour utiliser un chargeur à l'extérieur, le placer dans un endroit sec et utiliser une rallonge conçue pour l'extérieur.** L'utilisation d'une rallonge conçue pour l'extérieur réduit les risques de chocs électriques.
- Pour la sécurité de l'utilisateur, utiliser une rallonge de calibre adéquat (AWG, American Wire Gauge [calibrage américain normalisé des fils électriques]).** Plus le calibre est petit, et plus sa capacité est grande. Un calibre 16, par exemple, a une capacité



supérieure à un calibre 18. L'usage d'une rallonge de calibre insuffisant causera une chute de tension qui entraînera perte de puissance et surchauffe. Si plus d'une rallonge est utilisée pour obtenir une certaine longueur, s'assurer que chaque rallonge présente au moins le calibre de fil minimum. Le tableau ci-dessous illustre les calibres à utiliser selon la longueur de rallonge et l'intensité nominale indiquée sur la plaque signalétique. En cas de doute, utiliser le calibre suivant. Plus le calibre est petit, plus la rallonge peut supporter de courant.

Calibres minimaux des rallonges						
Intensité (en ampères)		Volts	Longueur totale de cordon en mètres (pieds)			
		120 V	7,6 (25)	15,2 (50)	30,5 (100)	45,7 (150)
		240 V	15,2 (50)	30,5 (100)	61,0 (200)	91,4 (300)
Supérieur à	Inférieur à	AWG				
0	6		18	16	16	14
6	10		18	16	14	12
10	12		16	16	14	12
12	16		14	12	Non recommandé	

- Ne poser aucun objet sur le chargeur. Ne pas mettre le chargeur sur une surface molle qui pourrait en bloquer la ventilation et provoquer une surchauffe interne.** Éloigner le chargeur de toute source de chaleur. Le chargeur dispose d'orifices d'aération sur le dessus et le dessous du boîtier.
- Ne pas le faire fonctionner avec un cordon d'alimentation ou une fiche endommagée.**
- Ne pas utiliser le chargeur s'il a reçu un coup, fait une chute ou a été endommagé de quelque façon que ce soit.** Le ramener dans un centre de réparation agréé.
- Ne pas démonter le chargeur. Pour tout service ou réparation, le rapporter dans un centre de réparation agréé.** Le fait de le réassembler de façon incorrecte comporte des risques de chocs électriques, d'électrocution et d'incendie.
- Débrancher le chargeur du secteur avant tout entretien. Cela réduira tout risque de chocs électriques.** Le fait de retirer le bloc-piles ne réduira pas ces risques.
- NE JAMAIS** tenter de connecter 2 chargeurs ensemble.
- Le chargeur a été conçu pour être alimenté en courant électrique domestique standard de 120 volts. Ne pas tenter de l'utiliser avec toute autre tension.** Cela ne s'applique pas aux chargeurs de postes mobiles.

### Chargeurs

L'outil utilise un chargeur DEWALT. S'assurer de bien lire toutes les directives de sécurité avant d'utiliser le chargeur. Consulter le tableau figurant à la fin du présent mode d'emploi pour connaître la compatibilité des chargeurs et des blocs-piles.

### Procédure de charge (Fig. 2)

- Branchez le chargeur dans la prise appropriée avant d'y insérer le bloc-piles.
- Insérez le bloc-piles (F) dans le chargeur, comme illustré en Figure 2, en vous assurant qu'il y est correctement calé. Le voyant rouge (charge) clignotera de façon continue indiquant que le cycle de chargement a commencé.
- En fin de charge, le voyant rouge restera ALLUMÉ de façon continue. Le bloc-piles est alors complètement chargé et peut être utilisé ou laissé dans le chargeur.

### Fonctionnement du voyant

**BLOC-PILES EN COURS DE CHARGEMENT** — — — — —

**BLOC-PILES CHARGÉ** —————

**SUSPENSION DE CHARGE CONTRE LE CHAUD/FROID** —● —● —● —● —●

**BLOC-PILES OU CHARGEUR DÉFECTUEUX** ●●●●●●●●●●●●●●

**PROBLÈME DE SECTEUR** ●● ●● ●● ●● ●● ●●

### Voyants de charge

Ce chargeur a été conçu pour détecter les problèmes pouvant survenir. Un voyant rouge clignotant rapidement indique qu'il y a un problème. Dans cette éventualité, réinsérez le bloc-piles dans le chargeur. Si le problème persiste, essayez un autre bloc-piles pour déterminer si le chargeur fonctionne. Si le nouveau bloc-piles se recharge correctement, le bloc-piles initial est endommagé et doit être retourné dans un centre de réparation ou tout autre site de récupération pour y être recyclé. Si l'on obtient le même résultat avec le nouveau bloc-piles, faites vérifier le chargeur et le bloc-piles chez un centre de réparation agréé.

#### FONCTION DE SUSPENSION DE CHARGE CONTRE LE CHAUD/FROID

Ce chargeur est équipé d'une fonction de suspension de charge contre le chaud/froid. Lorsque le chargeur détecte un bloc-piles chaud, il démarre automatiquement la fonction de suspension de charge contre le chaud, en suspendant le chargement jusqu'au refroidissement de ce dernier. Une fois le bloc-piles refroidi, le chargeur se met automatiquement en mode de chargement. Cette caractéristique assure aux blocs-piles une durée de vie maximale. Le voyant rouge clignote longuement, puis rapidement en mode de suspension de charge contre le chaud/froid.

#### LAISSER LE BLOC-PILES DANS LE CHARGEUR

Le chargeur et son bloc-piles peuvent rester connectés, le voyant du chargeur affichant alors Bloc-piles chargé.

**BLOCS-PILES FAIBLES** : les blocs-piles faibles continueront de fonctionner, mais il faudra s'attendre à un rendement moindre.

**BLOCS-PILES DÉFECTUEUX** : ce chargeur ne pourra recharger un bloc-piles défectueux. Le chargeur indiquera qu'un bloc-piles est défectueux en refusant de s'allumer ou en affichant bloc-piles ou chargeur défectueux.

**REMARQUE** : cela pourra aussi indiquer un problème avec le chargeur.

### Remarques importantes concernant le chargement

- Pour augmenter la durée de vie du bloc-piles et optimiser son rendement, le recharger à une température ambiante de 18 ° à 24 °C (65 °F à 75 °F). NE PAS recharger le bloc-piles à une température inférieure à + 4,5 °C (+ 40 °F) ou supérieure à + 40,5 °C (+ 105 °F). C'est important pour prévenir tout dommage sérieux au bloc-piles.
- Le chargeur et son bloc-piles peuvent devenir chauds au toucher pendant la charge. C'est normal et ne représente en aucun cas une défaillance du produit. Pour faciliter le refroidissement du bloc-piles après utilisation, éviter de laisser le chargeur ou le bloc-piles dans un local où la température ambiante est élevée comme dans un hangar métallique ou une remorque non isolée.
- Un bloc-piles froid se rechargera deux fois moins vite qu'un bloc-piles chaud. Le bloc-piles se rechargera à un rythme plus lent tout au cours du cycle de charge et ne retournera pas à sa capacité maximale de charge même s'il venait à se réchauffer.
- Si le bloc-piles ne se recharge pas correctement :
  - Vérifier le bon fonctionnement de la prise en y branchant une lampe ou tout autre appareil électrique.
  - Vérifier que la prise n'est pas contrôlée par un interrupteur qui coupe le courant lorsqu'on éteint les lumières.
  - Déplacer le chargeur et le bloc-piles dans un local où la température ambiante se trouve entre environ 18 ° et 24 °C (65 °F et 75 °F).
  - Si le problème persiste, amener l'outil, le bloc-piles et son chargeur dans un centre de réparation local.
- Recharger le bloc-piles lorsqu'il ne produit plus assez de puissance pour effectuer un travail qu'il faisait facilement auparavant. NE PAS CONTINUER à l'utiliser dans ces conditions. Suivre la procédure de charge. Si nécessaire, il est aussi possible de recharger un bloc-piles partiellement déchargé sans effet nuisible sur le bloc-piles.
- Les corps étrangers conducteurs tels que (mais pas limité à) poussières de rectification, débris métalliques, laine d'acier, feuilles d'aluminium, ou toute accumulation de particules métalliques doivent être maintenus à distance des orifices du chargeur. Débrancher systématiquement le chargeur lorsque le bloc-piles n'y est pas inséré. Débrancher systématiquement le chargeur avant tout entretien.
- Ne pas congeler ou immerger le chargeur dans l'eau ou tout autre liquide.

**⚠AVERTISSEMENT : risques de chocs électriques.** *Ne laisser aucun liquide pénétrer dans le chargeur, des chocs électriques pourraient en résulter.*

**⚠AVERTISSEMENT : risques de brûlure.** *Ne submerger le bloc-piles dans aucun liquide et le protéger de toute infiltration de liquide. Ne jamais tenter d'ouvrir le bloc-piles pour quelque raison que ce soit. Si le boîtier plastique du bloc-piles est brisé ou fissuré, le retourner dans un centre de réparation pour y être recyclé.*

### Recommandations de stockage

- Le lieu idéal de rangement est un lieu frais et sec, à l'abri de toute lumière solaire directe et de toute température excessive.
- Pour un stockage prolongé, il est recommandé d'entreposer le bloc-piles pleinement chargé dans un lieu frais et sec, hors du chargeur pour optimiser les résultats.

**REMARQUE** : les blocs-piles ne devraient pas être entreposés complètement déchargés. Il sera nécessaire de recharger le bloc-piles avant réutilisation.

## CONSERVER CES CONSIGNES POUR UTILISATION ULTÉRIEURE

### DESCRIPTION (Fig. 1)

**⚠AVERTISSEMENT : ne jamais modifier l'outil électrique ni aucun de ses composants, car il y a risques de dommages corporels ou matériels.**

- |   |   |
|---|---|
| A. Gâchette   | F. Bloc-piles                                 |
| B. Bouton de marche avant/arrière                     | G. Lampe de travail                           |
| C. Collier de mandrin                                 | H. Crochet de ceinture (accessoire en option) |
| D. Mandrin hexagonal automatique de 6,35 mm (1/4 po.) | I. Vis  |
| E. Bouton de libération du bloc-piles                 |   |

#### USAGE PRÉVU

Ces clés à chocs/tournevis à percussion ont été conçus pour le vissage à percussion professionnel. Le mode de percussion rend ces outils particulièrement utiles pour visser dans le bois, le métal ou le béton. **NE PAS** les utiliser en milieu ambiant humide ou en présence de liquides ou de gaz inflammables.

Ces clés à chocs/tournevis à percussion industriels sont des outils de professionnels. **NE PAS** les laisser à la portée des enfants. Une supervision est nécessaire auprès de tout utilisateur non expérimenté.

### Crochet de ceinture (accessoire en option) (Fig. 1)

**⚠AVERTISSEMENT : pour réduire tout risque de dommages corporels graves, placer le bouton de marche avant/arrière en position de verrouillage ou arrêter l'outil et déconnecter le bloc-piles avant tout réglage ou avant de retirer ou installer toute pièce ou tout accessoire.**

**⚠AVERTISSEMENT : pour réduire tout risque de dommages corporels graves, NE PAS suspendre l'outil au-dessus de la tête, ou suspendre des objets au crochet de ceinture.** *Suspendre le crochet de ceinture de l'outil UNIQUEMENT à une ceinture porte-outils.*

**⚠AVERTISSEMENT : pour réduire tout risque de dommages corporels graves,** *s'assurer que la vis maintenant le crochet de ceinture est bien resserrée.*

**IMPORTANT** : pour rattacher ou remplacer le crochet de ceinture, utiliser systématiquement la vis (I) fournie à cet effet. S'assurer de serrer fermement la vis.

Le crochet de ceinture (H) peut être rattaché de l'un ou l'autre côté de l'outil à l'aide seulement de la vis (I) fournie, pour accommoder un gaucher ou un droitier. Si vous ne désirez pas utiliser le crochet, il peut être complètement retiré de l'outil.

Pour déplacer le crochet de ceinture, retirez la vis (I) le maintenant en place puis réassemblez-le sur le côté opposé. Assurez-vous de resserrer fermement la vis.

### UTILISATION

**⚠AVERTISSEMENT : pour réduire tout risque de dommages corporels graves, placer le bouton de marche avant/arrière en position de verrouillage ou arrêter l'outil et déconnecter le bloc-piles avant tout réglage ou avant de retirer ou installer toute pièce ou tout accessoire.**

### Installation et retrait du bloc-piles (Fig. 3)

**REMARQUE** : pour des résultats optimums, s'assurer que le bloc-piles est complètement chargé.

Pour installer le bloc-piles (F) dans la poignée de l'outil, alignez le bloc-piles sur les rails dans la poignée de l'outil et faites-le glisser fermement en place puis vérifiez qu'il ne s'en détachera pas.

Pour retirer le bloc-piles de l'outil, poussez sur le bouton de libération (E) et tirez fermement le bloc-piles hors de la poignée de l'outil. Insérez-le dans son chargeur comme décrit dans la section appropriée de ce manuel.

### Gâchette à vitesse variable (Fig. 1)

Pour mettre l'outil en marche, appuyez sur la gâchette (A). Pour arrêter l'outil, relâchez la gâchette. Votre outil est équipé d'un frein. Le mandrin s'arrêtera dès que la gâchette sera complètement relâchée. La gâchette à vitesse variable vous permet de choisir la vitesse optimale d'une application particulière. Plus vous appuyez sur la gâchette, plus l'outil tourne rapidement. Pour maximiser la durée de vie de l'outil, utilisez la vitesse variable seulement pour démarrer le trou ou le vissage.

**REMARQUE** : l'utilisation continue dans la plage à vitesse variable n'est pas recommandée. Cela pourrait endommager l'interrupteur et devrait être évité.

### Bouton de marche avant/arrière (Fig. 1)

Le bouton de marche avant/arrière (B) détermine la direction du fonctionnement de l'outil et sert aussi de bouton de verrouillage.

Pour choisir la marche avant, relâchez la gâchette puis appuyez sur le bouton de marche avant/ arrière sur le côté droit de l'outil.

Pour choisir la marche arrière, relâchez la gâchette puis appuyez sur le bouton de marche avant/ arrière sur le côté gauche de l'outil.

La position centrale du bouton de commande verrouille l'outil en position d'arrêt. Avant de changer la position du bouton de commande, assurez-vous que la gâchette est bien relâchée.

**REMARQUE** : lorsque l'outil est remis en marche après un changement de direction, un clic pourra se faire entendre. C'est normal et ne représente nullement une défaillance du produit.

### Lampes de travail (Fig. 1)

L'outil est équipé de trois lampes de travail (G) situées autour du collier de mandrin (C). Les lampes de travail sont activées lorsque la gâchette sera activée et elles s'éteindront automatiquement 20 secondes après la désactivation de la gâchette. Tant que la gâchette reste activée, les lampes de travail restent allumées.

**REMARQUE** : les lampes de travail servent à éclairer la surface immédiate de travail et n'ont pas été conçues pour servir de lampe torche.

### Mandrin automatique (Fig. 1, 4, 5)

**REMARQUE** : le mandrin accepte seulement des accessoires hexagonaux de 6,35 mm (1/4 po) et des mèches de 25,4 mm (1 po).

Placez le bouton de marche avant/arrière (B) sur la position de verrouillage (centre) ou retirez le bloc-piles avant de changer d'accessoire.

Pour installer un accessoire, insérez-le à fond dans le mandrin. Il sera alors verrouillé en place (Fig. 4).

Pour retirer un accessoire, tirez le collier de mandrin (C) vers l'avant de l'outil. Retirez l'accessoire puis relâchez le collier (Fig. 5).

### Usage

Votre outil à percussion peut produire les couples maximums suivants :

N <sup>o</sup> de catal.	pi-lb	po-lb	nm
DCF885	117	1400	155

**⚠ATTENTION : s'assurer que les attaches et/ou le système supporteront la puissance de couple générée par l'outil.** *Tout couple excessif pourra causer des dommages matériels, et corporels par conséquent.*

- Placez la douille sur la tête de l'attache. Maintenez l'outil droit sur l'attache.
- Appuyez sur la gâchette pour démarrer. Relâchez la gâchette pour arrêter l'utilisation. Vérifiez systématiquement le couple à l'aide d'une clé dynamométrique, car le couple de vissage peut être affecté par beaucoup de facteurs, y compris les suivants :

- Tension** : *une tension réduite, due à un bloc-piles déchargé, réduira le couple de vissage.*
- Taille de douille** : *l'utilisation d'une taille incorrecte de douille réduira le couple de vissage.*
- Taille de boulon** : *les boulons de diamètres supérieurs requièrent des couples supérieurs. Le couple de vissage variera aussi en fonction de la longueur, la qualité et du coefficient de couple.*
- Boulon** : *vérifier que le filetage ne comporte ni débris ni rouille pour assurer un couple de serrage adéquat.*
- Matériau** : *le type de matériau et son fini affectera le couple de vissage.*
- Durée de vissage** : *plus la durée de vissage sera longue, plus le couple de vissage sera élevé. Utiliser une durée de vissage supérieure à celle recommandée pourra endommager, foirer ou surcharger l'attache.*

### MAINTENANCE

**⚠AVERTISSEMENT : pour réduire tout risque de dommages corporels graves, placer le bouton de marche avant/arrière en position de verrouillage ou arrêter l'outil et déconnecter le bloc-piles avant tout réglage ou avant de retirer ou installer toute pièce ou tout accessoire.**

### Nettoyage

**⚠AVERTISSEMENT : enlever les saletés et la poussière hors des événements au moyen d'air comprimé propre et sec, au moins une fois par semaine.** *Pour minimiser le risque de blessure aux yeux, toujours porter une protection oculaire conforme à la norme ANSI Z87.1 lors du nettoyage.*

**⚠AVERTISSEMENT : ne jamais utiliser de solvants ni d'autres produits chimiques puissants pour nettoyer les pièces non métalliques de l'outil.** *Ces produits chimiques peuvent affaiblir les matériaux de plastique utilisés dans ces pièces. Utiliser un chiffon humecté uniquement d'eau et de savon doux. Ne jamais laisser de liquide pénétrer dans l'outil et n'immerger aucune partie de l'outil dans un liquide.*

#### INSTRUCTION DE NETTOYAGE DU CHARGEUR

**⚠AVERTISSEMENT : risque de choc.** *Débrancher le chargeur de la prise de courant C.A. avant de le nettoyer. La saleté et la graisse peuvent être enlevées de la surface extérieure du chargeur au moyen d'un chiffon ou d'une brosse douce non métallique. Ne pas utiliser d'eau ni d'autres solutions de nettoyage.*

### Accessoires

**⚠AVERTISSEMENT : puisque les accessoires autres que ceux offerts par DEWALT n'ont pas été testés avec ce produit, leur utilisation pourrait s'avérer dangereuse.** *Pour réduire le risque de blessures, utiliser exclusivement les accessoires DEWALT recommandés avec le présent produit.*

Les accessoires recommandés pour cet outil sont vendus séparément au centre de service de votre région. Pour obtenir de l'aide concernant l'achat d'un accessoire, communiquer avec DEWALT Industrial Tool Co., 701 East Joppa Road, Baltimore, MD 21286 aux États-Unis; composer le 1 (800) 4-DEWALT (1-800-433-9258) ou visiter notre site Web www.dewalt.com.

**⚠AVERTISSEMENT : pour réduire tout risque de dommages corporels, utiliser exclusivement des accessoires pour percussion DEWALT.**

**⚠ATTENTION : utiliser exclusivement des douilles à choc.** *Les autres types de douilles pourraient se briser et poser des risques sérieux. Avant toute utilisation, vérifier qu'il n'existe aucune fissure sur les douilles.*

### Réparations

Le bloc-piles et le chargeur ne sont pas réparables. Le chargeur ou le bloc-piles ne comportent aucune pièce réparable.

Pour assurer la SÉCURITÉ et la FIABILITÉ du produit, les réparations, l'entretien et les réglages doivent être réalisés (cela comprend l'inspection et le remplacement du balai) par un centre de réparation en usine DEWALT, un centre de réparation agréé DEWALT ou par d'autres techniciens qualifiés. Toujours utiliser des pièces de rechange identiques.

### Garantie limitée de trois ans

DEWALT réparera, sans frais, tout produit défectueux causé par un défaut de matériel ou de fabrication pour une période de trois ans à compter de la date d'achat. La présente garantie ne couvre pas les pièces dont la défectuosité a été causée par une usure normale ou l'usage abusif de l'outil. Pour obtenir de plus amples renseignements sur les pièces ou les réparations couvertes par la présente garantie, visiter le site www.dewalt.com ou composer le 1 800 433-9258 (1 800 4-DeWALT). Cette garantie ne s'applique pas aux accessoires et ne vise pas les dommages causés par des réparations effectuées par un tiers. Cette garantie confère des droits légaux particuliers à l'acheteur, mais celui-ci pourrait aussi bénéficier d'autres droits variant d'un état ou d'une province à l'autre.

En plus de la présente garantie, les outils DEWALT sont couverts par notre :

#### CONTRAT D'ENTRETIEN GRATUIT D'UN AN

DEWALT entretiendra l'outil et remplacera les pièces usées au cours d'une utilisation normale et ce, gratuitement, pendant une période d'un an à compter de la date d'achat.

#### CONTRAT D'ENTRETIEN GRATUIT DE DEUX ANS SUR LES BLOC-PILES DEWALT

DC9071, DC9091, DC9096, DC9280, DC9360, DC9180 et DCB200 et la

#### GARANTIE DE REMBOURSEMENT DE 90 JOURS

Si l'acheteur n'est pas entièrement satisfait, pour quelque raison que ce soit, du rendement de l'outil électrique, du laser ou de la cloueuse DEWALT, celui-ci peut le retourner, accompagné d'un reçu, dans les 90 jours à compter de la date d'achat pour obtenir un remboursement intégral, sans aucun problème.

**AMÉRIQUE LATINE** : cette garantie ne s'applique aux produits vendus en Amérique latine. Pour ceux-ci, veuillez consulter les informations relatives à la garantie spécifique présente dans l'emballage, appeler l'entreprise locale ou consulter le site Web pour les informations relatives à cette garantie.

**REMPLACEMENT GRATUIT DES ÉTIQUETTES D'AVERTISSEMENT** : si les étiquettes d'avertissement deviennent illisibles ou sont manquantes, composer le 1 800 433-9258 (1 800 4-DEWALT) pour en obtenir le remplacement gratuit.

<b>DCF885</b> 1/4" (6mm) CORDLESS IMPACT DRIVER
SER.
<b>⚠WARNING</b> TO REDUCE THE RISK OF INJURY, USER MUST READ INSTRUCTION MANUAL. USE ONLY WITH DEWALT BATTERIES. ALWAYS USE PROPER EYE AND RESPIRATORY PROTECTION.
DEWALT INDUSTRIAL TOOL CO. BALTIMORE, MD 21286 U.S.A. FOR SERVICE INFORMATION, CALL 1-800-4-DIWALT www.DIWALT.com



## Definiciones: Normas de seguridad

Las siguientes definiciones describen el nivel de gravedad de cada palabra de señal. Lea el manual y preste atención a estos símbolos.

**⚠PELIGRO:** indica una situación de peligro inminente que, si no se evita, provocará **la muerte o lesiones graves**.

**⚠ADVERTENCIA:** indica una situación de peligro potencial que, si no se evita, **podría provocar la muerte o lesiones graves**.

**⚠ATENCIÓN:** indica una situación de peligro potencial que, si no se evita, **posiblemente provocaría lesiones leves o moderadas**.

**AVISO:** Se refiere a una práctica **no relacionada a lesiones corporales** que de no evitarse **puede** resultar en **daños a la propiedad**.

SI TIENE ALGUNA DUDA O ALGÚN COMENTARIO SOBRE ÉSTA U OTRA HERRAMIENTA DEWALT, LLÁMENOS AL NÚMERO GRATUITO: **1-800-4-DEWALT (1-800-433-9258)**.

**⚠ADVERTENCIA:** Para reducir el riesgo de lesiones, lea el manual de instrucciones.

## Advertencias generales de seguridad para herramientas eléctricas

**⚠ADVERTENCIA!** Lea todas las advertencias de seguridad y todas las instrucciones. El incumplimiento de las advertencias e instrucciones puede provocar descargas eléctricas, incendios o lesiones graves.

## CONSERVE TODAS LAS ADVERTENCIAS E INSTRUCCIONES PARA FUTURAS CONSULTAS

El término “herramienta eléctrica” incluido en las advertencias hace referencia a las herramientas eléctricas operadas con corriente (con cable eléctrico) o a las herramientas eléctricas operadas con baterías (inalámbricas).

### 1) SEGURIDAD EN EL ÁREA DE TRABAJO

- Mantenga el área de trabajo limpia y bien iluminada.** Las áreas abarrotadas y oscuras propician accidentes.
- No opere las herramientas eléctricas en atmósferas explosivas, como ambientes donde haya polvo, gases o líquidos inflamables.** Las herramientas eléctricas originan chispas que pueden encender el polvo o los vapores.
- Mantenga alejados a los niños y a los espectadores de la herramienta eléctrica en funcionamiento.** Las distracciones pueden provocar la pérdida de control.

### 2) SEGURIDAD ELÉCTRICA

- Los enchufes de la herramienta eléctrica deben adaptarse al tomacorriente. Nunca modifique el enchufe de ninguna manera. No utilice ningún enchufe adaptador con herramientas eléctricas con conexión a tierra.** Los enchufes no modificados y que se adaptan a los tomacorrientes reducirán el riesgo de descarga eléctrica.
- Evite el contacto corporal con superficies con descargas a tierra como, por ejemplo, tuberías, radiadores, cocinas eléctricas y refrigeradores.** Existe mayor riesgo de descarga eléctrica si su cuerpo está puesto a tierra.
- No exponga las herramientas eléctricas a la lluvia o a condiciones de humedad.** Si entra agua a una herramienta eléctrica, aumentará el riesgo de descarga eléctrica.
- No maltrate el cable. Nunca utilice el cable para transportar, tirar o desenchufar la herramienta eléctrica. Mantenga el cable alejado del calor, el aceite, los bordes filosos y las piezas móviles.** Los cables dañados o enredados aumentan el riesgo de descarga eléctrica.
- Al operar una herramienta eléctrica en el exterior, utilice un cable prolongador adecuado para tal uso.** Utilice un cable adecuado para uso en exteriores a fin de reducir el riesgo de descarga eléctrica.
- Si el uso de una herramienta eléctrica en un lugar húmedo es imposible de evitar, utilice un suministro protegido con un interruptor de circuito por falla a tierra (GFCI).** El uso de un GFCI reduce el riesgo de descargas eléctricas.

### 3) SEGURIDAD PERSONAL

- Permanezca alerta, controle lo que está haciendo y utilice el sentido común cuando emplee una herramienta eléctrica. No utilice una herramienta eléctrica si está cansado o bajo el efecto de drogas, alcohol o medicamentos.** Un momento de descuido mientras se opera una herramienta eléctrica puede provocar lesiones personales graves.
- Utilice equipos de protección personal. Siempre utilice protección para los ojos.** En las condiciones adecuadas, el uso de equipos de protección, como máscaras para polvo, calzado de seguridad antideslizante, cascos o protección auditiva, reducirá las lesiones personales.
- Evite el encendido por accidente. Asegúrese de que el interruptor esté en la posición de apagado antes de conectarlo a la fuente de energía o paquete de baterías, o antes de levantar o transportar la herramienta.** Transportar herramientas eléctricas con el dedo apoyado en el interruptor o enchufar herramientas eléctricas con el interruptor en la posición de encendido puede propiciar accidentes.
- Retire la clavija de ajuste o la llave de tuercas antes de encender la herramienta eléctrica.** Una llave de tuercas o una clavija de ajuste que quede conectada a una pieza giratoria de la herramienta eléctrica puede provocar lesiones personales.
- No se estire. Conserve el equilibrio y párese adecuadamente en todo momento.** Esto permite un mejor control de la herramienta eléctrica en situaciones inesperadas.
- Use la vestimenta adecuada. No use ropas holgadas ni joyas. Mantenga el cabello, la ropa y los guantes alejados de las piezas en movimiento.** Las ropas holgadas, las joyas o el cabello largo pueden quedar atrapados en las piezas en movimiento.
- Si se suministran dispositivos para la conexión de accesorios con fines de recolección y extracción de polvo, asegúrese de que estén conectados y que se utilicen correctamente.** El uso de dispositivos de recolección de polvo puede reducir los peligros relacionados con el polvo.

### 4) USO Y MANTENIMIENTO DE LA HERRAMIENTA ELÉCTRICA

- No fuerce la herramienta eléctrica. Utilice la herramienta eléctrica correcta para el trabajo que realizará.** Si se la utiliza a la velocidad para la que fue diseñada, la herramienta eléctrica correcta permite trabajar mejor y de manera más segura.
- No utilice la herramienta eléctrica si no puede encenderla o apagarla con el interruptor.** Toda herramienta eléctrica que no pueda ser controlada mediante el interruptor es peligrosa y debe repararse.
- Desconecte el enchufe de la fuente de energía o el paquete de baterías de la herramienta eléctrica antes de realizar ajustes, cambiar accesorios o almacenar la herramienta eléctrica.** Estas medidas de seguridad preventivas reducen el riesgo de encender la herramienta eléctrica en forma accidental.
- Guarde la herramienta eléctrica que no esté en uso fuera del alcance de los niños y no permita que otras personas no familiarizadas con ella o con estas instrucciones operen la herramienta.** Las herramientas eléctricas son peligrosas si son operadas por usuarios no capacitados.
- Realice el mantenimiento de las herramientas eléctricas. Revise que no haya piezas en movimiento mal alineadas o trabadas, piezas rotas o cualquier otra situación que pueda afectar el funcionamiento de la herramienta eléctrica. Si encuentra daños, haga reparar la herramienta eléctrica antes de utilizarla.** Se producen muchos accidentes a causa de las herramientas eléctricas que carecen de un mantenimiento adecuado.
- Mantenga las herramientas de corte afiladas y limpias.** Las herramientas de corte con mantenimiento adecuado y con los bordes de corte afilados son menos propensas a trabarse y son más fáciles de controlar.
- Utilice la herramienta eléctrica, los accesorios y las brocas de la herramienta, etc. de acuerdo con estas instrucciones y teniendo en cuenta las condiciones de trabajo y el trabajo que debe realizarse.** El uso de la herramienta eléctrica para operaciones diferentes de aquéllas para las que fue diseñada podría originar una situación peligrosa.

### 5) USO Y MANTENIMIENTO DE LA HERRAMIENTA CON BATERÍAS

- Recargue solamente con el cargador especificado por el fabricante.** Un cargador adecuado para un tipo de paquete de baterías puede originar riesgo de incendio si se utiliza con otro paquete de baterías.
- Utilice herramientas eléctricas sólo con paquetes de baterías específicamente diseñados.** El uso de cualquier otro paquete de baterías puede producir riesgo de incendio y lesiones.
- Cuando no utilice el paquete de baterías, manténgalo lejos de otros objetos metálicos como sujetapapeles, monedas, llaves, clavos, tornillos u otros objetos metálicos pequeños que puedan realizar una conexión desde un terminal al otro.** Los cortocircuitos en los terminales de la batería pueden provocar quemaduras o incendio.
- En condiciones abusivas, el líquido puede ser expulsado de la batería. Evite su contacto. Si entra en contacto accidentalmente, enjuague con agua. Si el líquido entra en contacto con los ojos, busque atención médica.** El líquido expulsado de la batería puede provocar irritación o quemaduras.

### 6) MANTENIMIENTO

- Solicite a una persona calificada en reparaciones que realice el mantenimiento de su herramienta eléctrica y que sólo utilice piezas de repuesto idénticas.** Esto garantizará la seguridad de la herramienta eléctrica.

## Normas específicas de seguridad adicionales

- Sujete la herramienta eléctrica de sus superficies aislantes cuando lleve a cabo una operación en que la pieza de sujeción pudiera entrar en contacto con un hilo eléctrico oculto.** Las piezas de sujeción que entren en contacto con un hilo eléctrico activo podrían hacer que las partes metálicas de la herramienta eléctrica también se activen con electricidad y que el operador sufra una descarga eléctrica.
- Use abrazaderas u otra manera práctica de fijar y sujetar la pieza de trabajo a una plataforma estable.** Sujetar la pieza con la mano o contra el cuerpo es inestable y resultará en que pierda el control.
- Lleve lentes de seguridad u otra protección ocular.** Las operaciones de taladrado y martilleo provocan la expulsión de virutas. Las partículas despididas pueden provocar lesiones irreversibles en los ojos.
- Las brocas, los casquillos y las herramientas se calientan fuertemente durante la operación.** Utilice guantes para tocarlas.
- Los orificios de ventilación suelen cubrir piezas en movimiento, por lo que también se deben evitar.** Las piezas en movimiento pueden atrapar prendas de vestir sueltas, joyas o el cabello largo.
- No opere esta herramienta durante períodos prolongados.** La vibración provocada por la acción de la herramienta puede ser peligrosa para sus manos y brazos. Utilice guantes para mayor amortiguación y descanse con frecuencia para limitar el riesgo de exposición.

**⚠ADVERTENCIA:** Use **SIEMPRE** lentes de seguridad. Los anteojos de uso diario NO son lentes de seguridad. Utilice también máscaras faciales o para polvo si el corte produce polvillo. UTILICE SIEMPRE EQUIPOS DE SEGURIDAD CERTIFICADOS:

- Protección para los ojos ANSI Z87.1(CAN/CSA Z94.3),
- Protección auditiva según la norma ANSI S12.6 (S3.19),
- Protección respiratoria según las normas NIOSH/OSHA/MSHA.

**⚠ADVERTENCIA:** algunas partículas de polvo generadas al lijar, serrar, esmerilar y taladrar con herramientas eléctricas, así como al realizar otras actividades de construcción, contienen químicos que el Estado de California sabe que pueden producir cáncer, defectos congénitos u otras afecciones reproductivas. Ejemplos de estos químicos son:

- plomo de algunas pinturas en base a plomo,
- polvo de sílice proveniente de ladrillos y cemento y otros productos de albañilería, y
- arsénico y cromo provenientes de madera tratada químicamente.

El peligro derivado de estas exposiciones que usted enfrente varía en función de la frecuencia con que se realice este tipo de trabajo. Para reducir la exposición a esas sustancias químicas: trabaje en una zona bien ventilada y llevando equipos de seguridad aprobados, como mascarillas antipolvo especialmente diseñadas para filtrar partículas microscópicas.

- Evite el contacto prolongado con el polvo procedente del lijado, serrado, esmerilado y taladrado eléctricos, así como de otras actividades del sector de la construcción. Lleve ropa protectora y lave con agua y jabón las zonas expuestas.** Si permite que el polvo se introduzca en la boca u ojos o quede sobre la piel, puede favorecer la absorción de productos químicos peligrosos.

**⚠ADVERTENCIA:** Toda persona que entre al área de trabajo deberá usar una máscara antipolvo o protección respiratoria. El filtro debería ser reemplazado a diario o cuando el usuario tenga dificultad para respirar. Puede encontrar la máscara antipolvo apropiada aprobada por NIOSH/OSHA en su ferretería local.

**⚠ADVERTENCIA:** Durante el uso, use siempre protección auditiva adecuada que cumpla con la norma ANSI S12.6 (S3.19). Bajo ciertas circunstancias y según el período de uso, el ruido producido por este producto puede contribuir a la pérdida de audición.

**⚠ATENCIÓN:** Cuando no se use, guarde la herramienta en posición horizontal sobre una superficie estable, donde no interrumpa el paso o provoque una caída. Algunas herramientas con baterías grandes se sostienen sobre la batería, pero pueden caer fácilmente.

- La etiqueta de su herramienta puede incluir los siguientes símbolos. Los símbolos y sus definiciones son los siguientes:

V.....	voltios	A.....	amperios
Hz.....	hertz	W.....	vatios
min .....	minutos	~ .....	corriente alterna
== .....	corriente directa	↻ .....	corriente alterna o directa
Ⓜ.....	Construcción de Clase I (con conexión a tierra)	∞ .....	velocidad sin carga
Ⓜ.....	Construcción de Clase II (doble aislamiento)	Ⓜ.....	terminal de conexión a tierra
.../min .....	por minuto	▲.....	símbolo de advertencia de seguridad
IPM.....	impactos por minuto	BPM.....	golpes por minuto
		RPM.....	revoluciones por minuto

## Instrucciones de seguridad importantes para todas las unidades de batería

Cuando solicite unidades de batería de repuesto, no olvide indicar el número de catálogo y el voltaje. Consulte la tabla al final de este manual para ver la compatibilidad entre cargadores y unidades de batería.

La unidad de batería no viene completamente cargada de fábrica. Antes de usar la unidad de batería y el cargador, lea las siguientes instrucciones de seguridad. Luego, siga los procedimientos de carga indicados.

## LEA TODAS LAS INSTRUCCIONES

- No cargue o use la unidad de batería en atmósferas explosivas, como en presencia de líquidos, gases o polvos inflamables.** Puede que al insertar o sacar la unidad de batería del cargador se inflamen el polvo o los gases.

- NUNCA fuerce la unidad de batería que que entre en el cargador. NO modifique la unidad de batería en ninguna forma para que entre en un cargador no compatible, pues puede producir una ruptura en la unidad de batería y causar lesiones corporales graves.** Consulte la tabla al final de este manual para ver la compatibilidad entre baterías y cargadores.

- Cargue las unidades de batería sólo en los cargadores designados por DEWALT.
- NO** salpique con ni sumerja en agua u otros líquidos.
- No guarde ni use la herramienta y unidad de batería en lugares donde la temperatura pueda alcanzar o superar los 40 °C (105 °F), tales como cobertizos o construcciones de metal durante el verano.** Almacene las unidades de batería en lugares frescos y secos para maximizar su vida útil.

**NOTA: No almacene las unidades de batería en la herramienta con el interruptor de gatillo en posición encendida fija. Nunca use cinta adhesiva para mantener el interruptor de gatillo en posición ENCENDIDA.**

**⚠ADVERTENCIA:** Peligro de incendio. Nunca intente abrir la unidad de batería por ningún motivo. Si la caja exterior de la unidad de batería se triza o daña, no la introduzca en el cargador. No triture, deje caer o dañe la unidad de batería. No use una unidad de batería o un cargador que haya sido golpeado, dejado caer, atropellado o dañado en cualquier forma (por ejemplo, perforado por un clavo, golpeado con un martillo, pisado). Lleve sus unidades de batería dañadas al centro de servicio para que sean recicladas.

**⚠ADVERTENCIA:** Peligro de incendio. No guarde ni transporte la unidad de batería de manera que objetos metálicos puedan hacer contacto con los terminales expuestos de la batería. Por ejemplo, no ponga la unidad de batería en delantales, bolsillos, cajas de herramientas, estuches de productos, cajones, etc., junto con clavos, tornillos, llaves, etc., sueltos. **El transporte de baterías puede causar incendios si sus terminales inadvertidamente entran en contacto con materiales conductores como llaves, monedas, herramientas de mano y otros por el estilo.** El Reglamento sobre Materiales Peligrosos (HMR) del Ministerio de Transporte de los Estados Unidos actualmente prohíbe el transporte de baterías en el comercio o en aviones (por ejemplo, embaladas en maletas y maletines de mano) A NO SER que estén debidamente protegidas para prevenir cortocircuitos. Por lo tanto, cuando transporte unidades de batería individuales, asegúrese de que sus terminales estén protegidos y debidamente aislados de materiales que pudieran entrar en contacto con ellos y causar un cortocircuito.

## INSTRUCCIONES DE SEGURIDAD ESPECÍFICAS PARA BATERÍAS DE IONES DE LITIO (Li-Ion)

- NO** incinere la unidad de batería, aunque esté completamente dañada o descargada. La unidad de batería puede explotar si se quema. Cuando se queman unidades de batería de iones de litio, se producen gases y materiales tóxicos.

- Si el contenido de la batería entra en contacto con la piel, lave el área de inmediato con agua y un jabón suave.** Si el líquido de la batería entra en contacto con sus ojos, enjuáguelos con agua y los ojos abiertos por 15 minutos o hasta que cese la irritación. Si se requiere de asistencia médica, el electrolito de la batería está compuesto por una mezcla de carbonatos orgánicos líquidos y sales de litio.

- El contenido de los elementos abiertos de la batería puede causar irritación en el tracto respiratorio.** Salga al aire fresco. Si los síntomas persisten, busque asistencia médica.

**⚠ADVERTENCIA:** Peligro de quemaduras. El líquido de la batería puede ser inflamable si se expone a chispas o llamas.

## El sello RBRC™

El sello RBRC™ (Rechargeable Battery Recycling Corporation) en las baterías (o unidades de batería) de níquel cadmio, níquel e hidruro metálico o de iones de litio indica que el costo de reciclaje de estas baterías (o unidades de batería) al llegar al final de su vida de servicio ya ha sido pagado por DEWALT. En algunas áreas, es ilegal depositar baterías de níquel cadmio, níquel e hidruro metálico o de iones de litio gastadas en la basura o la corriente de residuos sólidos urbanos; el programa RBRC proporciona una alternativa ecológica.

RBRC™, en cooperación con DEWALT y otros usuarios de baterías, han establecido programas en los Estados Unidos y Canadá para facilitar la recolección de baterías de níquel cadmio, níquel e hidruro metálico o de iones de litio gastadas. Al llevar sus baterías de níquel cadmio, níquel e hidruro metálico y de iones de litio gastadas a un centro de servicio autorizado por DEWALT o al minorista local para que sean recicladas, ayuda a proteger el medio ambiente y a conservar recursos naturales. También puede comunicarse con el centro de reciclaje de su localidad para mayor información sobre dónde llevar sus baterías gastadas.

RBRC™ es una marca comercial registrada de Rechargeable Battery Recycling Corporation.

## Instrucciones importantes de seguridad para todos los cargadores de baterías

**GUARDE ESTAS INSTRUCCIONES:** Este manual contiene instrucciones de seguridad y advertencias importantes para los cargadores de baterías.

- Antes de usar el cargador, lea todas las instrucciones y advertencias que se encuentren en el cargador, la unidad de batería y el producto que usa la unidad de batería.

**⚠ADVERTENCIA:** Peligro de descarga eléctrica. No permita que ningún líquido se introduzca en el cargador. Puede producir descargas eléctricas.

**⚠ATENCIÓN:** Peligro de quemaduras. Para reducir el riesgo de lesiones, sólo cargue unidades de batería recargables marca DEWALT. Otros tipos de batería podrían sobrecalentarse y reventar lo que podría resultar en lesiones corporales y daños a su propiedad.

**AVISO:** Bajo ciertas condiciones, cuando el cargador está enchufado a una toma de corriente, el cargador puede hacer cortocircuito si entra en contacto con algún material ajeno. Los materiales ajenos de naturaleza conductora, como el polvo de esmerilado, las placas de metal, la lana de acero, el papel de aluminio y otros, o cualquier acumulación de partículas metálicas deberían mantenerse alejados de las cavidades del cargador. Desenchufe siempre el cargador cuando no haya una unidad de batería en su cavidad. Desenchufe el cargador antes de intentar limpiarlo.

- NO intente cargar la unidad de batería con otros cargadores que no sean los descritos en este manual.** El cargador y la unidad de batería fueron específicamente diseñados para trabajar en conjunto.

- Estos cargadores no fueron diseñados para ser utilizados para más que cargar las baterías recargables DEWALT.** Cualquier otro uso puede producir riesgo de incendios, descargas eléctricas o electrocución.

- No exponga el cargador a la lluvia o a la nieve.**
- Tire del enchufe y no del cable cuando desconecte el cargador.** De esta forma se reduce el riesgo de daño al enchufe y cable.

- Asegúrese de que el cable no sea ubicado de manera que podría ser pisado, causar que alguien tropiece con él o ser expuesto a otro tipo de daños y desgastes.**

- No use un alargador a menos que sea absolutamente necesario.** El uso de un alargador incorrecto podría producir riesgo de incendios, descargas eléctricas o electrocución.

- Cuando opere un cargador al exterior, hágalo siempre en un lugar seco y use un alargador apropiado para uso al exterior.** El uso de un alargador apropiado para uso al exterior reduce el riesgo de descarga eléctrica.

- Los hilos del alargador deben ser de un calibre apropiado (AWG o American Wire Gauge) para su seguridad.** Mientras menor sea el calibre del hilo, mayor la capacidad del cable. Es decir, un hilo calibre 16 tiene mayor capacidad que uno de 18. Un cable de un calibre insuficiente causará una caída en la tensión de la línea dando por resultado una pérdida de energía y sobrecalentamiento. Cuando se utilice más de un alargador para completar el largo total, asegúrese que los hilos de cada alargador tengan el calibre mínimo. La tabla siguiente muestra el tamaño correcto a utilizar, dependiendo de la longitud del cable y del amperaje nominal de la placa de identificación. Si tiene dudas sobre cuál calibre usar, use un calibre mayor. Cuanto menor sea el número del calibre, más resistente será el cable.

Calibre mínimo para juegos de cables						
Capacidad nominal en amperios		Voltios	Largo total del cable en metros (en pies)			
		120 V	7,6 (25)	15,2 (50)	30,5 (100)	45,7 (150)
		240 V	15,2 (50)	30,5 (100)	61,0 (200)	91,4 (300)
Desde	Hasta	AWG				
0	6	18	16	16	14	
6	10	18	16	14	12	
10	12	16	16	14	12	
12	16	14	12	No recomendado		





- No coloque ningún objeto encima del cargador ni coloque a este sobre una superficie blanda que pudiera bloquear las ranuras de ventilación y resultar en un calor interno excesivo.** Coloque el cargador en un lugar alejado de cualquier fuente de calor. El cargador se ventila a través de las ranuras que se encuentran en la parte superior e inferior de la caja protectora.
- No opere el cargador si su cable o enchufe están dañados.**
- No opere el cargador si ha recibido un golpe agudo, si se ha caído o si ha sido dañado de alguna otra forma.** Llévelo a un centro de servicio autorizado.
- No desarme el cargador; llévelo a un centro de servicio autorizado cuando deba ser reparado.** Si es reensamblado incorrectamente, puede causar descargas eléctricas, electrocución o incendios.
- Desenchufe el cargador antes de intentar limpiarlo. Esto reducirá el riesgo de descargas eléctricas.** El retirar el paquete de baterías no reducirá este riesgo.
- NUNCA** intente conectar 2 cargadores entre sí.
- El cargador está diseñado para operar con una corriente eléctrica estándar residencial de 120 V. No intente usarlo con ningún otro voltaje.** Esto no aplica al cargador vehicular.






## Cargadores

Su herramienta utiliza un cargador DEWALT. Asegúrese de leer todas las instrucciones de seguridad antes de utilizar su cargador. Consulte el gráfico al final del manual para conocer la compatibilidad entre los cargadores y los paquetes de baterías.

### Procedimiento de carga (Fig. 2)

- Encufede el cargador en una toma de corriente apropiada antes de insertar la unidad de batería.
- Inserte la unidad de batería (F) en el cargador, como se muestra en la Figura 2, comprobando que quede bien colocado dentro del mismo. La luz roja (de carga) parpadeará continuamente para indicar que se ha iniciado el proceso de carga.
- La luz roja se quedará ENCENDIDA continuamente cuando se haya completado el proceso de carga. La unidad estará entonces completamente cargad y podrá ser utilizado de inmediato o dejarse en el cargador.

## Operación de la luz indicadora

	UNIDAD EN PROCESO DE CARGA	-----
	UNIDAD CARGADA	—————
	RETRASO POR UNIDAD CALIENTE/FRÍA	—●—●—●—●—●—●—●—
	UNIDAD O CARGADOR CON PROBLEMAS	●●●●●●●●●●●●●●●●●●●●
	LÍNEA DE ALIMENTACIÓN CON PROBLEMAS	●● ●● ●● ●● ●● ●●

## Indicadores de carga

Este cargador ha sido diseñado para detectar ciertos problemas que pudieran surgir. Estos problemas se indican mediante una luz roja intermitente rápida. Si esto ocurre, vuelva a colocar la unidad de batería en el cargador. Si el problema persiste, pruebe con otra unidad de batería para determinar si el cargador está funcionando debidamente. Si la segunda unidad de batería carga correctamente, significa que la primera está fallada y debería ser llevada a un centro de servicio u otro lugar de colección para su reciclaje. Si la segunda unidad de batería hace que el cargador indique el mismo problema que la primera, lleve el cargador y la unidad de batería a un centro de servicio autorizado para su examinación.

### RETARDO POR UNIDAD CALIENTE/FRÍA

Este cargador tiene una función de retardo por unidad caliente/fría: cuando el cargador detecta una batería caliente, inmediatamente empieza un retardo por unidad caliente y suspende la carga hasta que la batería se haya enfriado. Una vez enfriada la batería, el cargador pasará automáticamente a la modalidad de carga de la unidad. Esta función asegura la máxima duración de su batería. La luz roja parpadeará a intervalos largos, luego cortos cuando esté en modalidad de retardo por unidad caliente/fría.

### PERMANENCIA DE LA UNIDAD DE BATERÍA EN EL CARGADOR

El cargador y la unidad de batería pueden dejarse conectados con la luz del cargador indicando que la unidad está cargada.

**NOTA:** La unidad de batería perderá su carga lentamente si se retira del cargador. Deberá ser recargada antes de usarse. La unidad de batería también puede perder lentamente su carga si se deja en un cargador que no está enchufado en una toma de corriente alterna adecuada.

**UNIDADES DE BATERÍA DESGASTADAS:** Las baterías desgastadas seguirán funcionando pero no debe esperarse que tengan capacidad para la misma cantidad de trabajo.

**UNIDADES DE BATERÍA DEFECTUOSAS:** Este cargador no cargará una unidad de batería defectuosa. El cargador indicará que la unidad de batería es defectuosa al no iluminarse o al indicar que existe un problema con la unidad o el cargador.

**NOTA:** Esto también puede significar que hay un problema con el cargador.

## Notas importantes sobre la carga

- Se puede obtener una mayor duración y un mejor rendimiento si la unidad de batería se carga a una temperatura ambiente de 18–24 °C (65–75 °F). NO cargue la unidad de batería a una temperatura ambiental inferior a +4.5 °C (+40 °F) o superior a +40.5 °C (+105 °F). Esto es importante y evitará causar daños graves a la batería.
- Puede que el cargador y la unidad de batería se calienten ligeramente durante el proceso de carga. Esto es normal y no representa ningún problema. Para facilitar el enfriamiento de la unidad de batería después del uso, evite colocar el cargador o la unidad de batería en un lugar cálido, como un cobertizo metálico o un remolque sin aislamiento térmico.
- Una unidad de batería fría se demora el doble del tiempo en cargarse que una unidad de batería caliente. La unidad de batería se cargará a ese ritmo más lento durante todo el ciclo de carga y no volverá a cargarse a la velocidad de carga máxima aún cuando la unidad de batería se caliente.
- Si la unidad de batería no se carga correctamente:
  - Verifique el funcionamiento de la toma enchufando una lámpara u otro aparato;
  - Revise que la toma de corriente no esté conectada a un interruptor de luz que corte la corriente cuando se corte la luz;
  - Mueva el cargador y la unidad de batería a un lugar donde la temperatura ambiental sea aproximadamente 18–24 °C (65–75 °F);
  - Si el problema de carga continúa, lleve la herramienta, unidad de batería y el cargador a su centro de servicio local.
- La unidad de batería debería ser recargada cuando no sea capaz de producir suficiente potencia para trabajos que eran fácilmente realizados antes. NO CONTINÚE usándola bajo estas circunstancias. Siga el procedimiento de carga. También puede cargar una unidad de batería que haya sido usada parcialmente cuando lo desee, sin dañarla.
- Los materiales ajenos conductores por naturaleza, tales como, pero sin limitarse a, el polvo del esmerillado, las virutas metálicas, la lana de acero, el papel de aluminio o cualquier acumulación de partículas metálicas deberían mantenerse alejados de las cavidades del cargador. Desenchufe siempre el cargador de la toma de corriente cuando no haya una unidad de batería en su cavidad. Desenchufe el cargador antes de intentar limpiarlo.
- No congele ni sumerja el cargador en agua o cualquier otro líquido.

**⚠ADVERTENCIA:** Peligro de descarga eléctrica. No permita que ningún líquido se introduzca en el cargador. Puede producir descargas eléctricas.

**⚠ADVERTENCIA:** Peligro de quemaduras. No sumerja la unidad de batería en líquido de ningún tipo ni permita que se introduzca ningún tipo de líquido a la unidad de batería. Nunca intente abrir la unidad de batería por ningún motivo. Si la caja plástica de la unidad de batería se triza o rompe, llévela a un centro de servicio para su reciclaje

## Recomendaciones de almacenamiento

- El mejor lugar de almacenamiento es uno que sea fresco y seco, lejos de la luz solar directa y del exceso de calor o frío.
- Para resultados óptimos durante tiempos prolongados de almacenamiento, se recomienda almacenar la unidad de batería completamente cargada en un lugar fresco y seco fuera del cargador.

**NOTA:** Las unidades de batería no deberían almacenarse completamente descargadas. La unidad de batería deberá recargarse antes de ser usada.

## GUARDE ESTAS INSTRUCCIONES PARA VOLVER A CONSULTAR EN EL FUTURO

## COMPONENTES (Fig. 1)

**⚠ADVERTENCIA:** Nunca modifique la herramienta eléctrica, ni tampoco ninguna de sus piezas. podría producir lesiones corporales o daños.

- |   |  |
|---|--|
| A. Interruptor de gatillo   | F. Unidad de batería                         |
| B. Botón de avance y reversa  | G. Luz de trabajo                            |
| C. Collar del porta brocas  | H. Gancho para cinturón (Accesorio opcional) |
| D. Porta brocas hexagonal de liberación rápida de 6,35 mm (1/4 pulg.) | I. Tornillo                                  |
| E. Botón de destrabado de la batería                                  |  |

### USO DEBIDO

Estas llaves de impacto/remachadoras para están diseñadas para aplicaciones profesionales de destornillado de percusión. La función de percusión hace que esta herramienta resulte particularmente útil para clavar sujetadores en madera, metal y hormigón. **NO** utilice la herramienta en condiciones de humedad o en presencia de líquidos o gases inflamables.

Estas llaves de impacto/remachadoras para trabajos pesados son herramientas eléctricas profesionales. **NO** permita que los niños toquen la herramienta. Si el operador no tiene experiencia operando esta herramienta, su uso deberá ser supervisado.

## Gancho para cinturón (Accesorio opcional) (Fig. 1)

**⚠ADVERTENCIA:** Para reducir el riesgo de lesiones corporales graves, coloque el botón de avance y reversa en la posición de bloqueo, o apague la herramienta y desconecte la unidad de batería antes de realizar cualesquier ajustes o quitar o instalar aditamentos o accesorios.

**⚠ADVERTENCIA:** Para reducir el riesgo de lesión corporal grave, NO cuelgue la herramienta del techo ni cuelgue objetos del gancho para cinturón. **SÓLO** cuelgue el gancho para cinturón de la herramienta de un cinturón de herramientas.

**⚠ADVERTENCIA:** Para reducir el riesgo de lesión corporal grave, verifique que el tornillo que sujeta el gancho para cinturón esté ajustado.

**IMPORTANTE:** Al añadir o reemplazar el gancho para cinturón, utilice solamente el tornillo (I) que se suministra. Cerciórese de apretar firmemente el tornillo.

El gancho para cinturón (H) puede ser adosado a cualquier lado de la herramienta utilizando solamente el tornillo (I) provisto, para adaptarse a usuarios zurdos o derechos. Si nunca va a necesitar el gancho, puede extraerlo de la herramienta.

Para mover el gancho para cinturón al otro lado, quite el tornillo (I) que sostiene el gancho para cinturón en su lugar y vuélvalo a ensamblar en el otro lado. Asegúrese de ajustar bien el tornillo.

## OPERACIÓN

**⚠ADVERTENCIA:** Para reducir el riesgo de lesiones corporales graves, coloque el botón de avance y reversa en la posición de bloqueo, o apague la herramienta y desconecte la unidad de batería antes de realizar cualesquier ajustes o quitar o instalar aditamentos o accesorios.

## Cómo instalar y retirar la unidad de batería (Fig. 3)

**NOTA:** Para mejores resultados, verifique que su unidad de batería esté completamente cargada.

Para instalar la unidad de batería (F) en el mango de la herramienta, alinee la unidad de batería con los rieles en el interior del mango de la herramienta y deslícela en el mango hasta que la unidad de batería quede firmemente insertada en la herramienta; verifique que ésta no se salga sola.

Para retirar la unidad de batería de la herramienta, presione los botones de liberación (E) y tire firmemente de la unidad de batería para sacarla del mango de la herramienta. Insértela en el cargador tal como se describe en la sección del cargador de este manual.

## Interruptor de gatillo de velocidad variable (Fig. 1)

Para encender la herramienta, apriete el interruptor tipo gatillo (A). Para apagar la herramienta, suelte el interruptor de gatillo. Su herramienta está equipada con un freno. El porta brocas se detendrá apenas se suelte totalmente el interruptor de gatillo. El interruptor de velocidad variable permite seleccionar la mejor velocidad para una aplicación en particular. Mientras más aprieta el gatillo, más rápido operará la herramienta. Para la duración máxima de su herramienta, use la velocidad variable sólo para perforar el comienzo de orificios o para establecer el lugar de inserción de sujetadores.

**NOTA:** No se recomienda el uso continuo de esta herramienta en el rango de velocidad variable. Esto podría dañar el interruptor y debería evitarse.

## Botón de control de avance y reversa (Fig. 1)

El botón de control de avance y reversa (B) determina la dirección de la herramienta y también sirve como botón de bloqueo.

Para seleccionar la rotación hacia delante, suelte el interruptor de gatillo y apriete el botón de control hacia delante/hacia atrás, situado en el lado derecho de la herramienta.

Para seleccionar la rotación hacia atrás, suelte el interruptor tipo gatillo y apriete el botón de control de avance y reversa, situado en el lado izquierdo de la herramienta.

La posición del botón de control en el centro bloquea la herramienta en OFF. Cuando cambie la posición del botón de control, asegúrese de soltar el gatillo.

**NOTA:** Es posible que oiga un clic al iniciar la operación la primera vez que utilice la herramienta después de cambiar la dirección de rotación. Esto es normal y no representa ningún problema.

## Luces de trabajo (Fig. 1)

Hay tres luces de trabajo (G) entorno al collarín del portabrocas (C). Las luces de trabajo se activan cuando se presiona el interruptor tipo gatillo, y se apagan automáticamente 20 segundos después de soltarse el interruptor. Si el interruptor de gatillo se mantiene presionado, las luces de trabajo se mantienen encendidas.

**NOTA:** Las luces de trabajo sirven para iluminar la superficie en la que está trabajando y no fueron diseñadas para usar como linterna.

## Porta brocas de liberación rápida (Fig. 1, 4, 5)

**NOTA:** El porta brocas solamente acepta accesorios hexagonales de 6,35 mm (1/4 pulg.) y puntas de broca de 25,4 mm (1 pulg.).

Coloque el botón de avance y reversa (B) en la posición de bloqueo en off (al central) o quítele la unidad de batería antes de reemplazar los accesorios.

Para instalar un accesorio insértele completamente. El accesorio encaja en su sitio (Fig. 4).

Para sacar un accesorio, tire del collar del porta brocas (C) en dirección contraria a la parte delantera de la herramienta. Retire el accesorio y suelte el collar (Fig. 5).

## Uso

Su herramienta de impacto puede generar el máximo par de torsión siguiente:

No. Cat	Lbs-pie	Lbs-pulg.	Nm
DCF885	117	1400	155

**⚠ATENCIÓN:** Asegúrese que el sujetador y/o el sistema tolerarán el nivel de par de apriete generado por la herramienta. Un par de apriete excesivo podría causar rompimiento y posibles lesiones corporales.

- Coloque el casquillo sobre la cabeza del sujetador. Mantenga la herramienta apuntada directamente al sujetador.
- Presione el interruptor para iniciar la operación. Suelte el interruptor para detener la operación. Siempre revise el par tursor con una llave de ajuste dinamométrica ya que el par de ajuste es afectado por muchos factores, incluyendo los siguientes:

- Voltaje:** El bajo voltaje por una batería o pila casi completamente descargada reducirá el par de ajuste.
- Tamaño del casquillo:** El no usar el tamaño de casquillo correcto causará un menor par de ajuste.
- Tamaño del perno:** Los diámetros mayores de pernos generalmente requieren un mayor par de ajuste. El par de ajuste también varía de acuerdo a largo, grado y coeficiente de par de apriete.
- Perno:** Asegúrese que todos los hilos estén libres de óxido y otros desechos para permitir un par de ajuste apropiado.
- Material:** El tipo de material y acabado de la superficie del material afectará el par de ajuste.
- Tiempo de ajuste:** Un tiempo mayor de ajuste aumenta el par de ajuste. Un tiempo de ajuste mayor al recomendado podría poner demasiada tensión sobre los sujetadores o hacer que se rueden o dañen.

## MANTENIMIENTO

**⚠ADVERTENCIA:** Para reducir el riesgo de lesiones corporales graves, coloque el botón de avance y reversa en la posición de bloqueo, o apague la herramienta y desconecte la unidad de batería antes de realizar cualesquier ajustes o quitar o instalar aditamentos o accesorios.

## Limpieza

**⚠ADVERTENCIA:** Sople la suciedad y el polvo de todos los conductos de ventilación con aire seco, al menos una vez por semana. Para reducir el riesgo de lesiones, utilice siempre protección para los ojos aprobada ANSI Z87.1 al realizar esta tarea.

**⚠ADVERTENCIA:** Nunca utilice solventes ni otros químicos abrasivos para limpiar las piezas no metálicas de la herramienta. Estos productos químicos pueden debilitar los materiales plásticos utilizados en estas piezas. Utilice un paño humedecido sólo con agua y jabón neutro. Nunca permita que penetre líquido dentro de la herramienta ni sumerja ninguna de las piezas en un líquido.

### INSTRUCCIONES DE LIMPIEZA DEL CARGADOR

**⚠ADVERTENCIA:** Riesgo de descarga eléctrica. Desconecte el cargador del tomacorriente de CA antes de limpiarlo. Se puede usar un paño o un cepillo suave, que no sea metálico, para quitar la suciedad y la grasa de la parte externa del cargador. No use agua ni cualquier otra solución de limpieza.

## Accesorios

**⚠ADVERTENCIA:** Debido a que no se han probado con este producto otros accesorios que no sean los que ofrece DEWALT, el uso de dichos accesorios con esta herramienta podría ser peligroso. Para reducir el riesgo de lesiones, con este producto deben usarse sólo los accesorios recomendados por DEWALT.

Los accesorios que se recomiendan para utilizar con la herramienta están disponibles a un costo adicional en su distribuidor local o en un centro de mantenimiento autorizado. Si necesita ayuda para localizar algún accesorio, póngase en contacto con DEWALT Industrial Tool Co., 701 East Joppa Road, Baltimore, MD 21286, llame al 1-800-4-DEWALT (1-800-433-9258) o visite nuestro sitio web www.dewalt.com.

**⚠ADVERTENCIA:** Para reducir el riesgo de lesiones, use sólo accesorios DEWALT para herramientas de impacto.

**⚠ATENCIÓN:** Utilice solamente enchufes de impacto. Los enchufes que no sean de impacto se pueden romper y provocar una situación peligrosa. Inspeccione los enchufes antes de utilizarlos para asegurarse que no tengan grietas.

## Reparaciones

El cargador y las unidades de batería no pueden ser reparados. El cargador y la unidad de batería no contienen piezas reparables.

Para asegurar la SEGURIDAD y la CONFIABILIDAD del producto, las reparaciones, el mantenimiento y los ajustes deben (inclusive inspección y cambio de carbones) ser realizados en un centro de mantenimiento en la fábrica DEWALT, en un centro de mantenimiento autorizado DEWALT u por otro personal de mantenimiento calificado. Utilice siempre piezas de repuesto idénticas.

### PARA REPARACIÓN Y SERVICIO DE SUS HERRAMIENTAS ELÉCTRICAS, FAVOR DE DIRIGIRSE AL CENTRO DE SERVICIO MÁS CERCANO

<b>CULIACAN, SIN</b> Blvd.Emiliano Zapata 5400-1 Poniente Col. San Rafael	(667) 717 89 99
<b>GUADALAJARA, JAL</b> Av. La Paz #1779 - Col. Americana Sector Juárez	(33) 3825 6978
<b>MEXICO, D.F.</b> Eje Central Lázaro Cárdenas No. 18 Local D, Col. Obrera	(55) 5588 9377
<b>MERIDA, YUC</b> Calle 63 #459-A - Col. Centro	(999) 928 5038
<b>MONTERREY, N.L.</b> Av. Francisco I. Madero 831 Poniente - Col. Centro	(818) 375 23 13
<b>PUEBLA, PUE</b> 17 Norte #205 - Col. Centro	(222) 246 3714
<b>QUERETARO, QRO</b> Av. San Roque 274 - Col. San Gregorio	(442) 2 17 63 14
<b>SAN LUIS POTOSI, SLP</b> Av. Universidad 1525 - Col. San Luis	(444) 814 2383
<b>TORREON, COAH</b> Blvd. Independencia, 96 Pte. - Col. Centro	(871) 716 5265
<b>VERACRUZ, VER</b> Prolongación Díaz Mirón #4280 - Col. Remes	(229) 921 7016
<b>VILLAHERMOSA, TAB</b> Constitución 516-A - Col. Centro	(993) 312 5111

#### PARA OTRAS LOCALIDADES:

**Si se encuentra en México, por favor llame al (55) 5326 7100**

**Si se encuentra en U.S., por favor llame al 1-800-433-9258 (1-800 4-DEWALT)**

## Póliza de Garantía

IDENTIFICACIÓN DEL PRODUCTO:

Sello o firma del Distribuidor.

Nombre del producto: \_\_\_\_\_ Mod./Cat.: \_\_\_\_\_

Marca: \_\_\_\_\_ Núm. de serie: \_\_\_\_\_

(Datos para ser llenados por el distribuidor)

Fecha de compra y/o entrega del producto: \_\_\_\_\_

Nombre y domicilio del distribuidor donde se adquirió el producto:

Este producto está garantizado por un año a partir de la fecha de entrega, contra cualquier defecto en su funcionamiento, así como en materiales y mano de obra empleados para su fabricación. Nuestra garantía incluye la reparación o reposición del producto y/o componentes sin cargo alguno para el cliente, incluyendo mano de obra, así como los gastos de transportación razonablemente erogados derivados del cumplimiento de este certificado.



Para hacer efectiva esta garantía deberá presentar su herramienta y esta póliza sellada por el establecimiento comercial donde se adquirió el producto, de no contar con ésta, bastará la factura de compra.

### EXCEPCIONES

Esta garantía no será válida en los siguientes casos:

- Cuando el producto se hubiese utilizado en condiciones distintas a las normales;
- Cuando el producto no hubiese sido operado de acuerdo con el instructivo de uso que se acompaña;
- Cuando el producto hubiese sido alterado o reparado por personas distintas a las enlistadas al final de este certificado.

Anexo encontrará una relación de sucursales de servicio de fábrica, centros de servicio autorizados y franquiciados en la República Mexicana, donde podrá hacer efectiva su garantía y adquirir partes, refacciones y accesorios originales.

### Garantía limitada por tres años

DEWALT reparará, sin cargo, cualquier falla que surja de defectos en el material o la fabricación del producto, por hasta tres años a contar de la fecha de compra. Esta garantía no cubre fallas de las piezas causadas por su desgaste normal o abuso a la herramienta. Para mayores detalles sobre la cobertura de la garantía e información acerca de reparaciones realizadas bajo garantía, visítenos en [www.dewalt.com](http://www.dewalt.com) o diríjase al centro de servicio más cercano. Esta garantía no aplica a accesorios o a daños causados por reparaciones realizadas o intentadas por terceros. Esta garantía le otorga derechos legales específicos, además de los cuales puede tener otros dependiendo del estado o la provincia en que se encuentre.

Además de la garantía, las herramientas DEWALT están cubiertas por:

#### 1 AÑO DE SERVICIO GRATUITO

DEWALT mantendrá la herramienta y reemplazará las piezas gastadas por su uso normal, sin cobro, en cualquier momento durante un año a contar de la fecha de compra. Los artículos gastados por la clavadora, tales como la unidad de hoja y retorno del impulsador, no están cubiertas.

#### 2 AÑOS DE SERVICIO GRATUITO PARA UNIDADES DE ALIMENTACIÓN DEWALT

DC9071, DC9091, DC9096, DC9280, DC9360, DC9180, y DCB200

#### GARANTÍA DE REEMBOLSO DE SU DINERO POR 90 DÍAS

Si no está completamente satisfecho con el desempeño de su máquina herramienta, láser o clavadora DEWALT, cualquiera sea el motivo, podrá devolverlo hasta 90 días de la fecha de compra con su recibo y obtener el reembolso completo de su dinero – sin necesidad de responder a ninguna pregunta.

**AMÉRICA LATINA:** Esta garantía no se aplica a los productos que se venden en América Latina. Para los productos que se venden en América Latina, debe consultar la información de la garantía específica del país que viene en el empaque, llamar a la compañía local o visitar el sitio Web a fin de obtener esa información.

**REEMPLAZO GRATUITO DE LAS ETIQUETAS DE ADVERTENCIAS:** Si sus etiquetas de advertencia se vuelven ilegibles o faltan, llame al 1-800-4-DEWALT (1-800-433-9258) para que se le reemplacen gratuitamente.



#### ESPECIFICACIONES

DCF885 20 V Máx\* 0–2 800 RPM; 0–3 200 IPM

SOLAMENTE PARA PROPÓSITO DE MÉXICO:  
 IMPORTADO POR: DEWALT S.A. DE C.V.  
 BOSQUES DE CIDROS, ACCESO RADIATAS NO.42  
 3A. SECCIÓN DE BOSQUES DE LAS LOMAS  
 DELEGACIÓN CUAJIMALPA,  
 05120, MÉXICO, D.F.  
 TEL. (52) 555-326-7100  
 R.F.C.: BDE810626-1W7

Para servicio y ventas consulte  
**"HERRAMIENTAS ELECTRICAS"**  
 en la sección amarilla.



Battery		Chargers/Charge Time (Minutes) – Chargeurs/Durée de charge (Minutes) – Cargadores de baterías/Tiempo de carga (Minutos)																			
		120 Volts										12 Volts									
Cat Number	Output Voltage	DW9106	DW9118	DW9107	DW9108	DW9116	DW9216	DW9117	DW911	DC011	DC022	DC9000	DC9310	DC9320	DCB100	DCB101	DW0246	DCB119	DW0249	DW9109	DC9319
DC9360	36	X	X	X	X	X	X	X	X	X	X	X	X	X	X	X	X	X	X	X	X
DC9280	28	X	X	X	X	X	X	X	X	X	X	X	X	X	X	X	X	X	X	X	X
DW0242	24	X	X	X	X	X	X	X	X	X	X	X	X	X	X	X	60	X	60	X	X
DC9096	18	X	X	X	60	60	60	20	60	60	60	60	60	60	60	60	X	X	X	X	60
DC9099	18	X	X	X	45	45	45	15	45	45	45	45	45	45	45	X	X	X	X	45	45
DC9180	18	X	X	X	X	X	X	X	X	X	X	X	X	X	X	X	X	X	X	X	60
DC9181	18	X	X	X	X	X	X	X	X	X	X	X	X	X	X	X	X	X	X	X	30
DCB200	20	X	X	X	X	X	X	X	X	X	X	X	X	X	X	60	X	90	X	X	X
DCB201	20	X	X	X	60	60	60	20	60	60	60	60	60	60	60	30	X	45	X	X	X
DW9096	18	X	X	X	30	30	30	12	30	30	30	30	30	30	X	X	X	X	X	60	60
DW9098	18	X	X	X	45	45	45	15	45	45	45	45	45	45	X	X	X	X	X	30	30
DW9099	18	X	X	X	60	60	60	20	60	60	60	60	60	60	60	60	X	X	X	45	45
DC9091	14.4	90	115	60	60	60	60	20	60	60	60	60	60	60	60	X	X	X	X	60	60
DC9094	14.4	60	90	45	45	45	45	15	45	45	45	45	45	45	X	X	X	X	X	45	45
DW9091	14.4	60	90	45	45	45	45	15	45	45	45	45	45	45	X	X	X	X	X	45	45
DW9094	14.4	45	60	30	30	30	30	12	30	30	30	30	30	30	X	X	X	X	X	30	30
DCB120	12	X	X	X	X	X	X	X	X	X	X	X	X	X	40	X	X	40	X	X	X
DC9071	12	90	115	60	60	60	60	20	60	60	60	60	60	60	X	X	X	X	X	60	60
DW9050	12	60	90	45	45	45	45	15	45	45	45	45	45	45	X	X	X	X	X	45	45
DW9071	12	45	60	30	30	30	30	12	30	30	30	30	30	30	X	X	X	X	X	30	30
DW9072	12	60	90	45	45	45	45	15	45	45	45	45	45	45	X	X	X	X	X	45	45
DW9048	9.6	60	40	X	X	X	X	X	X	X	X	X	X	X	X	X	X	X	X	X	X
DW9061	9.6	60	90	45	45	45	45	15	45	45	45	45	45	45	X	X	X	X	X	45	45
DW9062	9.6	45	60	30	30	30	30	12	30	30	30	30	30	30	X	X	X	X	X	30	30
DW9057	7.2	45	60	30	30	30	30	12	30	30	30	30	30	30	X	X	X	X	X	30	30

"X" indicates that the battery pack is not compatible with that specific charger.

Una "X" indica que el paquete de baterías no es compatible con ese determinado cargador.

All charge times are approximate. Actual charge time may vary. Read the instruction manual for more specific information.

Les durées de charge sont approximatives; la durée de charge réelle peut varier. Lire le manuel d'utilisation pour obtenir des renseignements plus précis.

El tiempo de duración de carga es aproximado; la duración de instrucciones para obtener información más precisa.

\* Maximum initial battery voltage (measured without a workload) is 20 volts. Nominal voltage is 18.

\* La tension initiale maximum du bloc-piles (mesurée à vide) est de 20 volts. La tension nominale est de 18.

\* El máximo voltaje inicial de la batería (medido sin carga de trabajo) es 20 voltios. El voltaje nominal es de 18.



If you have questions or comments, contact us.  
Pour toute question ou tout commentaire, nous contacter.  
Si tiene dudas o comentarios, contáctenos.

1-800-4-DEWALT • www.dewalt.com

INSTRUCTION MANUAL  
GUIDE D'UTILISATION  
MANUAL DE INSTRUCCIONES

INSTRUCTIVO DE OPERACIÓN, CENTROS DE SERVICIO Y  
POLIZA DE GARANTÍA. **ADVERTENCIA:** LEASE ESTE  
INSTRUCTIVO ANTES DE USAR EL PRODUCTO.

# DEWALT®

DCL040 20V Max\* Cordless LED Worklight  
Lampe de travail DEL sans fil DCL040, 20 V max\*  
Luz de trabajo LED inalámbrica de 20 V Máx\* DCL040

DeWALT Industrial Tool Co., 701 East Joppa Road, Baltimore, MD 21286  
(MAR11) Part No. N088534 DCL040 Copyright © 2011 DeWALT

The following are trademarks for one or more DeWALT power tools: the yellow and black color scheme, the "D" shaped air intake grill, the array of pyramids on the handgrip, the kit box configuration, and the array of lozenge-shaped humps on the surface of the tool.

## Definitions: Safety Guidelines

The definitions below describe the level of severity for each signal word. Please read the manual and pay attention to these symbols.


**⚠ DANGER:** Indicates an imminently hazardous situation which, if not avoided, will result in death or serious injury.

**⚠ WARNING:** Indicates a potentially hazardous situation which, if not avoided, could result in death or serious injury.

**⚠ CAUTION:** Indicates a potentially hazardous situation which, if not avoided, may result in minor or moderate injury.

**NOTICE:** Indicates a practice not related to personal injury which, if not avoided, may result in property damage.

IF YOU HAVE ANY QUESTIONS OR COMMENTS ABOUT THIS OR ANY DEWALT TOOL, CALL US TOLL FREE AT: 1-800-4-DEWALT (1-800-433-9258).

 **WARNING:** To reduce the risk of injury, read the instruction manual.

## General Power Tool Safety Warnings

 **WARNING!** Read all safety warnings and all instructions. Failure to follow the warnings and instructions may result in electric shock, fire and/or serious injury.

### SAVE ALL WARNINGS AND INSTRUCTIONS FOR FUTURE REFERENCE

The term "power tool" in the warnings refers to your mains-operated (corded) power tool or battery-operated (cordless) power tool.

#### 1) WORK AREA SAFETY

- Keep work area clean and well lit.** Cluttered or dark areas invite accidents.
- Do not operate power tools in explosive atmospheres, such as in the presence of flammable liquids, gases or dust.** Power tools create sparks which may ignite the dust or fumes.
- Keep children and bystanders away while operating a power tool.** Distractions can cause you to lose control.

#### 2) ELECTRICAL SAFETY

- Power tool plugs must match the outlet. Never modify the plug in any way. Do not use any adapter plugs with earthed (grounded) power tools.** Unmodified plugs and matching outlets will reduce risk of electric shock.
- Avoid body contact with earthed or grounded surfaces such as pipes, radiators, ranges and refrigerators.** There is an increased risk of electric shock if your body is earthed or grounded.
- Do not expose power tools to rain or wet conditions.** Water entering a power tool will increase the risk of electric shock.
- Do not abuse the cord. Never use the cord for carrying, pulling or unplugging the power tool. Keep cord away from heat, oil, sharp edges or moving parts.** Damaged or entangled cords increase the risk of electric shock.
- When operating a power tool outdoors, use an extension cord suitable for outdoor use.** Use of a cord suitable for outdoor use reduces the risk of electric shock.
- If operating a power tool in a damp location is unavoidable, use a ground fault circuit interrupter (GFCI) protected supply.** Use of a GFCI reduces the risk of electric shock.

#### 3) PERSONAL SAFETY

- Stay alert, watch what you are doing and use common sense when operating a power tool. Do not use a power tool while you are tired or under the influence of drugs, alcohol or medication.** A moment of inattention while operating power tools may result in serious personal injury.
- Use personal protective equipment. Always wear eye protection.** Protective equipment such as dust mask, non-skid safety shoes, hard hat, or hearing protection used for appropriate conditions will reduce personal injuries.
- Prevent unintentional starting. Ensure the switch is in the off position before connecting to power source and/or battery pack, picking up or carrying the tool.** Carrying power tools with your finger on the switch or energizing power tools that have the switch on invites accidents.
- Remove any adjusting key or wrench before turning the power tool on.** A wrench or a key left attached to a rotating part of the power tool may result in personal injury.
- Do not overreach. Keep proper footing and balance at all times.** This enables better control of the power tool in unexpected situations.
- Dress properly. Do not wear loose clothing or jewelry. Keep your hair, clothing and gloves away from moving parts.** Loose clothes, jewelry or long hair can be caught in moving parts.
- If devices are provided for the connection of dust extraction and collection facilities, ensure these are connected and properly used.** Use of dust collection can reduce dust-related hazards.

#### 4) POWER TOOL USE AND CARE

- Do not force the power tool. Use the correct power tool for your application.** The correct power tool will do the job better and safer at the rate for which it was designed.

- Do not use the power tool if the switch does not turn it on and off.** Any power tool that cannot be controlled with the switch is dangerous and must be repaired.
- Disconnect the plug from the power source and/or the battery pack from the power tool before making any adjustments, changing accessories, or storing power tools.** Such preventive safety measures reduce the risk of starting the power tool accidentally.
- Store idle power tools out of the reach of children and do not allow persons unfamiliar with the power tool or these instructions to operate the power tool.** Power tools are dangerous in the hands of untrained users.
- Maintain power tools. Check for misalignment or binding of moving parts, breakage of parts and any other condition that may affect the power tool's operation. If damaged, have the power tool repaired before use.** Many accidents are caused by poorly maintained power tools.
- Keep cutting tools sharp and clean.** Properly maintained cutting tools with sharp cutting edges are less likely to bind and are easier to control.
- Use the power tool, accessories and tool bits, etc. in accordance with these instructions, taking into account the working conditions and the work to be performed.** Use of the power tool for operations different from those intended could result in a hazardous situation.

#### 5) BATTERY TOOL USE AND CARE

- Recharge only with the charger specified by the manufacturer.** A charger that is suitable for one type of battery pack may create a risk of fire when used with another battery pack.
- Use power tools only with specifically designated battery packs.** Use of any other battery packs may create a risk of injury and fire.
- When battery pack is not in use, keep it away from other metal objects like paper clips, coins, keys, nails, screws, or other small metal objects that can make a connection from one terminal to another.** Shorting the battery terminals together may cause burns or a fire.
- Under abusive conditions, liquid may be ejected from the battery; avoid contact. If contact accidentally occurs, flush with water. If liquid contacts eyes, additionally seek medical help.** Liquid ejected from the battery may cause irritation or burns.

#### 6) SERVICE

- Have your power tool serviced by a qualified repair person using only identical replacement parts.** This will ensure that the safety of the power tool is maintained.

## Specific Safety Rules for Worklights

**⚠ WARNING:** Fire hazard. Do not operate worklight near flammable liquids or in gaseous or explosive atmospheres. Internal sparks may ignite fumes causing personal injury.

- Do not expose light to wet or damp areas. Do not expose light to rain or snow.
- Do not wash light with water or allow water to get inside light. Do not submerge light in water at any time.

**⚠ WARNING:** Do not place the worklight in a position which may cause anyone to intentionally or unintentionally stare into the light. Serious eye injury could result.

**⚠ CAUTION:** When not in use, place light on its side on a stable surface where it will not cause a tripping or falling hazard. Some products with large battery packs will stand upright on the battery pack but may be easily knocked over.

- The label on your light may include the following symbols. The symbols and their definitions are as follows:

V.....volts	A..... amperes
Hz.....hertz	W..... watts
min .....minutes	~ ..... alternating current
== .....direct current	⎓ ..... alternating or direct current
Ⓛ .....Class I Construction (grounded)	no ..... no load speed
Ⓜ .....Class II Construction (double insulated)	Ⓧ ..... earthing terminal
.../min .....per minute	▲ ..... safety alert symbol
IPM.....impacts per minute	BPM.....beats per minute
	RPM.....revolutions per minute

## Important Safety Instructions for All Battery Packs

When ordering replacement battery packs, be sure to include the catalog number and voltage. Consult the chart at the end of this manual for compatibility of chargers and battery packs.

The battery pack is not fully charged out of the carton. Before using the battery pack and charger, read the safety instructions below and then follow charging procedures outlined.

### READ ALL INSTRUCTIONS

- Do not charge or use the battery pack in explosive atmospheres, such as in the presence of flammable liquids, gases or dust.** Inserting or removing the battery pack from the charger may ignite the dust or fumes.
- NEVER force the battery pack into the charger. DO NOT modify the battery pack in any way to fit into a non-compatible charger as battery pack may rupture causing serious personal injury.** Consult the chart at the end of this manual for compatibility of batteries and chargers.
- Charge the battery packs only in designated DEWALT chargers.
- DO NOT splash or immerse in water or other liquids.**
- Do not store or use the tool and battery pack in locations where the temperature may reach or exceed 105°F (40°C) (such as outside sheds or metal buildings in summer).** For best life store battery packs in a cool, dry location.  
**NOTE: Do not store the battery packs in a tool with the trigger switch locked on. Never tape the trigger switch in the ON position.**

**⚠ WARNING:** Fire hazard. Never attempt to open the battery pack for any reason. If the battery pack case is cracked or damaged, do not insert into the charger. Do not crush, drop or damage the battery pack. Do not use a battery pack or charger that has received a sharp blow, been dropped, run over or damaged in any way (e.g., pierced with a nail, hit with a hammer, stepped on). Damaged battery packs should be returned to the service center for recycling.

**⚠ WARNING:** Fire hazard. Do not store or carry the battery pack so that metal objects can contact exposed battery terminals. For example, do not place the battery pack in aprons, pockets, tool boxes, product kit boxes, drawers, etc., with loose nails, screws, keys, etc. Transporting batteries can possibly cause fires if the battery terminals inadvertently come in contact with conductive materials such as keys, coins, hand tools and the like. The US Department of Transportation Hazardous Material Regulations (HMR) actually prohibit transporting batteries in commerce or on airplanes (e.g., packed in suitcases and carry-on luggage) UNLESS they are properly protected from short circuits. So when transporting individual battery packs, make sure that the battery terminals are protected and well insulated from materials that could contact them and cause a short circuit.

#### SPECIFIC SAFETY INSTRUCTIONS FOR LITHIUM ION (Li-Ion)

- Do not incinerate the battery pack even if it is severely damaged or is completely worn out.** The battery pack can explode in a fire. Toxic fumes and materials are created when lithium ion battery packs are burned.
  - If battery contents come into contact with the skin, immediately wash area with mild soap and water.** If battery liquid gets into the eye, rinse water over the open eye for 15 minutes or until irritation ceases. If medical attention is needed, the battery electrolyte is composed of a mixture of liquid organic carbonates and lithium salts.
  - Contents of opened battery cells may cause respiratory irritation.** Provide fresh air. If symptoms persist, seek medical attention.
- ⚠ WARNING:** Burn hazard. Battery liquid may be flammable if exposed to spark or flame.

## The RBRC™ Seal

The RBRC™ (Rechargeable Battery Recycling Corporation) Seal on the nickel cadmium, nickel metal hydride or lithium ion batteries (or battery packs) indicate that the costs to recycle these batteries (or battery packs) at the end of their useful life have already been paid by DEWALT. In some areas, it is illegal to place spent nickel cadmium, nickel metal hydride or lithium ion batteries in the trash or municipal solid waste stream and the RBRC™ program provides an environmentally conscious alternative.

RBRC™, in cooperation with DEWALT and other battery users, has established programs in the United States and Canada to facilitate the collection of spent nickel cadmium, nickel metal hydride or lithium ion batteries. Help protect our environment and conserve natural resources by returning the spent nickel cadmium, nickel metal hydride or lithium ion batteries to an authorized DEWALT service center or to your local retailer for recycling. You may also contact your local recycling center for information on where to drop off the spent battery. RBRC™ is a registered trademark of the Rechargeable Battery Recycling Corporation.

## Important Safety Instructions for All Battery Chargers

**SAVE THESE INSTRUCTIONS:** This manual contains important safety and operating instructions for battery chargers.

- Before using the charger, read all instructions and cautionary markings on the charger, battery pack and product using the battery pack.

**⚠ WARNING:** Shock hazard. Do not allow any liquid to get inside the charger. Electric shock may result.

**⚠ CAUTION:** Burn hazard. To reduce the risk of injury, charge only DEWALT rechargeable battery packs. Other types of batteries may overheat and burst resulting in personal injury and property damage.





**NOTICE:** Under certain conditions, with the charger plugged into the power supply, the charger can be shorted by foreign material. Foreign materials of a conductive nature, such as, but not limited to, grinding dust, metal chips, steel wool, aluminum foil or any buildup of metallic particles should be kept away from the charger cavities. Always unplug the charger from the power supply when there is no battery pack in the cavity. Unplug the charger before attempting to clean.

- **DO NOT attempt to charge the battery pack with any chargers other than the ones in this manual.** The charger and battery pack are specifically designed to work together.
- **These chargers are not intended for any uses other than charging DEWALT rechargeable batteries.** Any other uses may result in risk of fire, electric shock or electrocution.
- **Do not expose the charger to rain or snow.**
- **Pull by the plug rather than the cord when disconnecting the charger.** This will reduce the risk of damage to the electric plug and cord.
- **Make sure that the cord is located so that it will not be stepped on, tripped over or otherwise subjected to damage or stress.**
- **Do not use an extension cord unless it is absolutely necessary.** Use of improper extension cord could result in risk of fire, electric shock or electrocution.
- **When operating a charger outdoors, always provide a dry location and use an extension cord suitable for outdoor use.** Use of a cord suitable for outdoor use reduces the risk of electric shock.
- **An extension cord must have adequate wire size (AWG or American Wire Gauge) for safety.** The smaller the gauge number of the wire, the greater the capacity of the cable, that is, 16 gauge has more capacity than 18 gauge. An undersized cord will cause a drop in line voltage resulting in loss of power and overheating. When using more than one extension to make up the total length, be sure each individual extension contains at least the minimum wire size. The following table shows the correct size to use depending on cord length and nameplate ampere rating. If in doubt, use the next heavier gauge. The lower the gauge number, the heavier the cord.

Ampere Rating		Minimum Gauge for Cord Sets				
		Volts	Total Length of Cord in Feet (meters)			
		120V	25 (7.6)	50 (15.2)	100 (30.5)	150 (45.7)
		240V	50 (15.2)	100 (30.5)	200 (61.0)	300 (91.4)
More Than	Not More Than	AWG				
0	6		18	16	16	14
6	10		18	16	14	12
10	12		16	16	14	12
12	16		14	12	Not Recommended	

- **Do not place any object on top of the charger or place the charger on a soft surface that might block the ventilation slots and result in excessive internal heat.** Place the charger in a position away from any heat source. The charger is ventilated through slots in the top and the bottom of the housing.
- **Do not operate the charger with a damaged cord or plug.**
- **Do not operate the charger if it has received a sharp blow, been dropped or otherwise damaged in any way.** Take it to an authorized service center.
- **Do not disassemble the charger; take it to an authorized service center when service or repair is required.** Incorrect reassembly may result in a risk of electric shock, electrocution or fire.
- **Disconnect the charger from the outlet before attempting any cleaning.** This will reduce the risk of electric shock. Removing the battery pack will not reduce this risk.
- **NEVER attempt to connect 2 chargers together.**
- **The charger is designed to operate on standard 120V household electrical power. Do not attempt to use it on any other voltage.** This does not apply to the vehicular charger.

## Chargers

Your tool uses a DEWALT charger. Be sure to read all safety instructions before using your charger. Consult the chart at the end of this manual for compatibility of chargers and battery packs.

## Charging Procedure (Fig. 2)

1. Plug the charger into an appropriate outlet before inserting the battery pack.
2. Insert the battery pack (D) into the charger, as shown in Figure 2, making sure the pack is fully seated in charger. The red (charging) light will blink continuously, indicating that the charging process has started.
3. The completion of charge will be indicated by the red light remaining ON continuously. The pack is fully charged and may be used at this time or left in the charger.

## Indicator Light Operation

	PACK CHARGING	— — — — —
	PACK CHARGED	—————
	HOT/COLD DELAY	—●—●—●—●—●—●—
	PROBLEM PACK OR CHARGER	●●●●●●●●
	PROBLEM POWERLINE	●●●●●●

## Charge Indicators

This charger is designed to detect certain problems that can arise. Problems are indicated by the red light flashing at a fast rate. If this occurs, re-insert the battery pack into the charger. If the problem persists, try a different battery pack to determine if the charger is working properly. If the new pack charges correctly, then the original pack is defective and should be returned to a service center or other collection site for recycling. If the new battery pack elicits the same trouble indication as the original, have the charger and the battery pack tested at an authorized service center.

### HOT/COLD DELAY

This charger has a hot/cold delay feature: when the charger detects a battery that is hot, it automatically starts a delay, suspending charging until the battery has cooled. After the battery has cooled, the charger automatically switches to the pack charging mode. This feature ensures maximum battery life. The red light flashes long, then short while in the hot/cold delay mode.

### LEAVING THE BATTERY PACK IN THE CHARGER

The charger and battery pack can be left connected with the charge indicator showing pack charged.

**WEAK BATTERY PACKS:** Weak batteries will continue to function but should not be expected to perform as much work.

**FAULTY BATTERY PACKS:** This charger will not charge a faulty battery pack. The charger will indicate faulty battery pack by refusing to light or by displaying problem pack or charger.

**NOTE:** This could also mean a problem with a charger.

## Important Charging Notes

1. Longest life and best performance can be obtained if the battery pack is charged when the air temperature is between 65°F and 75°F (18°–24°C). DO NOT charge the battery pack in an air temperature below +40°F (+4.5°C), or above +105°F (+40.5°C). This is important and will prevent serious damage to the battery pack.
2. The charger and battery pack may become warm to the touch while charging. This is a normal condition, and does not indicate a problem. To facilitate the cooling of the battery pack after use, avoid placing the charger or battery pack in a warm environment such as in a metal shed or an uninsulated trailer.
3. A cold battery pack will charge at about half the rate of a warm battery pack. The battery pack will charge at that slower rate throughout the entire charging cycle and will not return to maximum charge rate even if the battery pack warms.
4. If the battery pack does not charge properly:
  - a. Check operation of receptacle by plugging in a lamp or other appliance;
  - b. Check to see if receptacle is connected to a light switch which turns power off when you turn out the lights;
  - c. Move the charger and battery pack to a location where the surrounding air temperature is approximately 65°F–75°F (18°–24°C);
  - d. If charging problems persist, take the tool, battery pack and charger to your local service center.
5. The battery pack should be recharged when it fails to produce sufficient power on jobs which were easily done previously. DO NOT CONTINUE to use under these conditions. Follow the charging procedure. You may also charge a partially used pack whenever you desire with no adverse effect on the battery pack.
6. Foreign materials of a conductive nature such as, but not limited to, grinding dust, metal chips, steel wool, aluminum foil, or any buildup of metallic particles should be kept away from charger cavities. Always unplug the charger from the power supply when there is no battery pack in the cavity. Unplug the charger before attempting to clean.
7. Do not freeze or immerse the charger in water or any other liquid.

**WARNING:** Shock hazard. Don't allow any liquid to get inside the charger. Electric shock may result.

**WARNING:** Burn hazard. Do not submerge the battery pack in any liquid or allow any liquid to enter the battery pack. Never attempt to open the battery pack for any reason. If the plastic housing of the battery pack breaks or cracks, return to a service center for recycling.

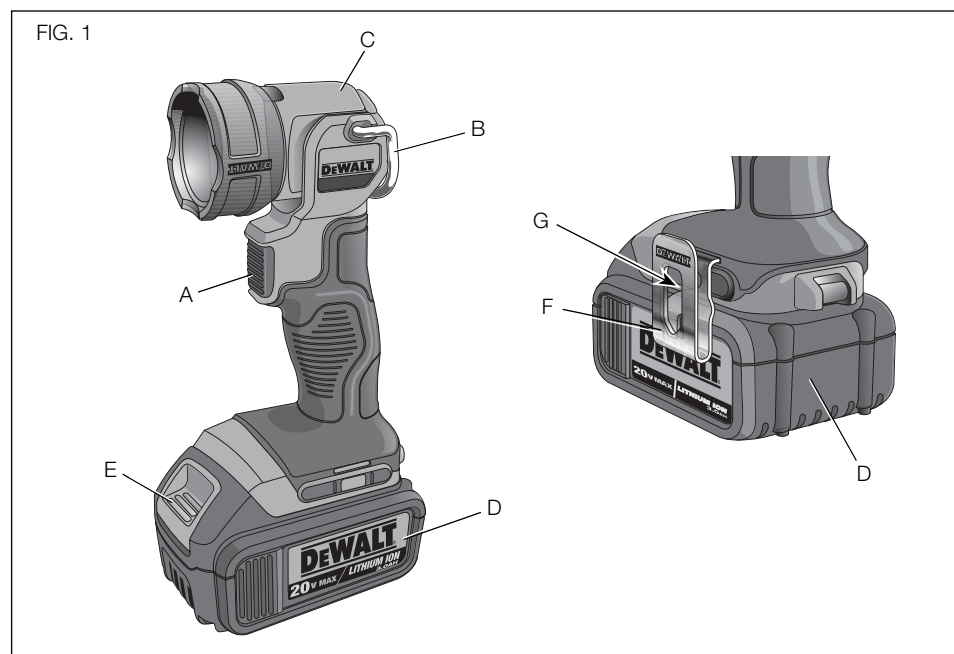


FIG. 2



FIG. 3

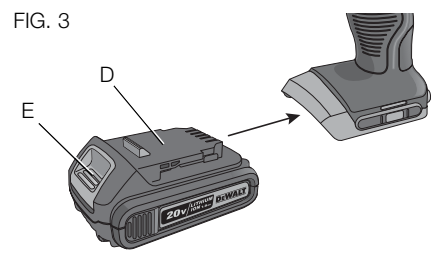


FIG. 4

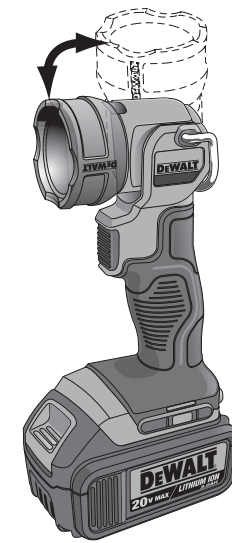
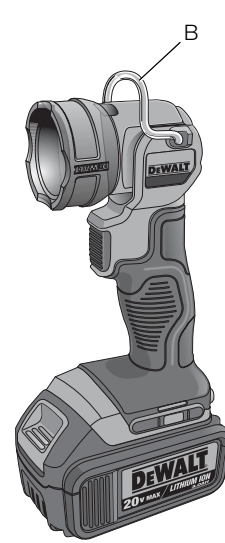


FIG. 5



## Storage Recommendations

1. The best storage place is one that is cool and dry, away from direct sunlight and excess heat or cold.
2. For long storage, it is recommended to store a fully charged battery pack in a cool dry place out of the charger for optimal results.

**NOTE:** Battery packs should not be stored completely depleted of charge. The battery pack will need to be recharged before use.

## SAVE THESE INSTRUCTIONS FOR FUTURE USE

## COMPONENTS (Fig. 1)

**WARNING:** Never modify the light or any part of it. Damage or personal injury could result.

- |                  |                                   |
|------------------|-----------------------------------|
| A. Switch        | E. Battery release button         |
| B. Loop          | F. Belt hook (optional accessory) |
| C. Pivoting head | G. Belt hook screw                |
| D. Battery pack  |                                   |

## OPERATION

**WARNING:** To reduce the risk of serious personal injury, turn light off and disconnect battery pack before making any adjustments or removing/installing attachments or accessories.

## Installing and Removing the Battery Pack (Fig. 3)

**WARNING:** To reduce the risk of injury, never depress the battery release button without removing the battery pack. Depressing the battery release button without removing the battery pack can result in the battery pack falling out unexpectedly.

**NOTE:** For best results, make sure your battery pack is fully charged. The light will shut off without warning when the battery is fully discharged.

To install the battery pack (D) into the tool handle, align the battery pack with the rails inside the tool's handle and slide it into the handle until the battery pack is firmly seated in the tool and ensure that it does not disengage.

To remove the battery pack from the tool, press the release button (E) and firmly pull the battery pack out of the tool handle. Insert it into the charger as described in the charger section of this manual.

Either battery (DCB200 or DCB201) may be used. Consult the chart at the end of this manual for compatibility of chargers and battery packs.

## Switch (Fig. 1)

To turn the light on, press the switch (A). To turn it off, press the switch again.

## Pivoting Head (Fig. 1, 4)

The pivoting head rotates to provide light in the range of -10° to 100°.

## Carrying and Suspending the Light (Fig. 1, 5)

**CAUTION:** When light hangs by the belt hook or loop, do not shake the light or the object from which it hangs. Do not hang the light from any electrical wires or anything that is not secure. Personal injury or property damage may occur.

**CAUTION:** Only use the belt hook or the loop for hanging the LED worklight. The belt hook and loop are not intended to support additional weight. Do not attach or hang anything additional to the light or risk of breakage may occur.

**CAUTION:** Do not use the belt hook or loop to reach with or to support your weight in any situation.

### LOOP (FIG. 1, 5)

The light may be carried or hung by the loop (B). When not in use, the loop may be folded down.

### BELT HOOK (OPTIONAL ACCESSORY) (FIG. 1)

**WARNING:** To reduce the risk of serious personal injury, ensure the screw holding the belt hook is secure.

**IMPORTANT:** When attaching or replacing the belt hook (F), use only the screw (G) that is provided. Be sure to securely tighten screw.

The belt hook (F) can be attached to either side of the light using only the screw (G) provided, to accommodate left- or right-handed users. If the hook is not desired at all, it can be removed from the light.

To move belt hook, remove the screw (G) that holds the belt hook in place, then reassemble on the opposite side. Be sure to securely tighten screw.

## MAINTENANCE

**WARNING:** To reduce the risk of serious personal injury, turn light off and disconnect battery pack before making any adjustments or removing/installing attachments or accessories.

- Do not attempt to repair the worklight. To assure product safety and reliability, repairs, maintenance, and adjustments should be performed by authorized DEWALT service centers.

## Cleaning

**WARNING:** Never use solvents or other harsh chemicals for cleaning the non-metallic parts of the tool. These chemicals may weaken the plastic materials used in these parts. Use a cloth dampened only with water and mild soap. Never let any liquid get inside the tool; never immerse any part of the tool into a liquid.



## CHARGER CLEANING INSTRUCTIONS

**⚠WARNING:** Shock hazard. Disconnect the charger from the AC outlet before cleaning. Dirt and grease may be removed from the exterior of the charger using a cloth or soft non-metallic brush. Do not use water or any cleaning solutions.

## Accessories

**⚠WARNING:** Since accessories, other than those offered by DEWALT, have not been tested with this product, use of such accessories with this tool could be hazardous. To reduce the risk of injury, only DEWALT recommended accessories should be used with this product.

Recommended accessories for use with your tool are available at extra cost from your local dealer or authorized service center. If you need assistance in locating any accessory, please contact DEWALT Industrial Tool Co., 701 East Joppa Road, Baltimore, MD 21286, call 1-800-4-DEWALT (1-800-433-9258) or visit our website: www.dewalt.com.

## Repairs

The charger and battery pack are not serviceable. There are no serviceable parts inside the charger or battery pack.

To assure product SAFETY and RELIABILITY, repairs, maintenance and adjustment should be performed by a DEWALT factory service center, a DEWALT authorized service center or other qualified service personnel. Always use identical replacement parts.

## Three Year Limited Warranty

DEWALT will repair, without charge, any defects due to faulty materials or workmanship for three years from the date of purchase. This warranty does not cover part failure due to normal wear or tool abuse. For further details of warranty coverage and warranty repair information, visit www.dewalt.com or call 1-800-4-DEWALT (1-800-433-9258). This warranty does not apply to accessories or damage caused where repairs have been made or attempted by others. This warranty gives you specific legal rights and you may have other rights which vary in certain states or provinces.

In addition to the warranty, DEWALT tools are covered by our:

### 1 YEAR FREE SERVICE

DEWALT will maintain the tool and replace worn parts caused by normal use, for free, any time during the first year after purchase.

### 2 YEARS FREE SERVICE ON DEWALT BATTERY PACKS

DC9071, DC9091, DC9096, DC9280, DC9360, DC9180 and DCB200

### 90 DAY MONEY BACK GUARANTEE

If you are not completely satisfied with the performance of your DEWALT Power Tool, Laser, or Nailer for any reason, you can return it within 90 days from the date of purchase with a receipt for a full refund – no questions asked.

**LATIN AMERICA:** This warranty does not apply to products sold in Latin America. For products sold in Latin America, see country specific warranty information contained in the packaging, call the local company or see website for warranty information.

**FREE WARNING LABEL REPLACEMENT:** If your warning labels become illegible or are missing, call 1-800-4-DEWALT (1-800-433-9258) for a free replacement.



## Définitions : lignes directrices en matière de sécurité

Les définitions ci-dessous décrivent le niveau de danger pour chaque mot-indicateur employé. Lire le mode d'emploi et porter une attention particulière à ces symboles.

**⚠DANGER :** indique une situation dangereuse imminente qui, si elle n'est pas évitée, entraînera la mort ou des blessures graves.

**⚠AVERTISSEMENT :** indique une situation potentiellement dangereuse qui, si elle n'est pas évitée, pourrait entraîner la mort ou des blessures graves.

**⚠ATTENTION :** indique une situation potentiellement dangereuse qui, si elle n'est pas évitée, pourrait entraîner des blessures légères ou modérées.

**AVIS :** indique une pratique ne posant aucun risque de dommages corporels mais qui par contre, si rien n'est fait pour l'éviter, pourrait poser des risques de dommages matériels.

POUR TOUTE QUESTION OU REMARQUE AU SUJET DE CET OUTIL OU DE TOUT AUTRE OUTIL DEWALT, COMPOSEZ LE NUMÉRO SANS FRAIS : 1-800-4-DEWALT (1-800-433-9258).

**⚠AVERTISSEMENT :** afin de réduire le risque de blessures, lire le mode d'emploi de l'outil.

## Avertissements de sécurité généraux pour les outils électriques

**⚠AVERTISSEMENT!** Lire toutes les directives et consignes de sécurité. Tout manquement aux directives et consignes pose des risques de chocs électriques, d'incendie et/ou de blessures graves.

## CONSERVER TOUS LES AVERTISSEMENTS ET TOUTES LES DIRECTIVES POUR UN USAGE ULTÉRIEUR

Le terme « outil électrique » cité dans les avertissements se rapporte à votre outil électrique à alimentation sur secteur (avec fil) ou par piles (sans fil).

### 1) SÉCURITÉ DU LIEU DE TRAVAIL

- Tenir l'aire de travail propre et bien éclairée.** Les lieux encombrés ou sombres sont propices aux accidents.
- Ne pas faire fonctionner d'outils électriques dans un milieu déflagrant, tel qu'en présence de liquides, de gaz ou de poussières inflammables.** Les outils électriques produisent des étincelles qui pourraient enflammer la poussière ou les vapeurs.
- Éloigner les enfants et les personnes à proximité pendant l'utilisation d'un outil électrique.** Une distraction pourrait en faire perdre la maîtrise à l'utilisateur.

### 2) SÉCURITÉ EN MATIÈRE D'ÉLECTRICITÉ

- Les fiches des outils électriques doivent correspondre à la prise. Ne jamais modifier la fiche d'aucune façon. Ne jamais utiliser de fiche d'adaptation avec un outil électrique mis à la terre.** Le risque de choc électrique sera réduit par l'utilisation de fiches non modifiées correspondant à la prise.
- Éviter tout contact physique avec des surfaces mises à la terre comme des tuyaux, des radiateurs, des cuisinières et des réfrigérateurs.** Le risque de choc électrique est plus élevé si votre corps est mis à la terre.
- Ne pas exposer les outils électriques à la pluie ou à l'humidité.** La pénétration de l'eau dans un outil électrique augmente le risque de choc électrique.
- Ne pas utiliser le cordon de façon abusive. Ne jamais utiliser le cordon pour transporter, tirer ou débrancher un outil électrique. Tenir le cordon éloigné de la chaleur, de l'huile, des bords tranchants et des pièces mobiles.** Les cordons endommagés ou enchevêtrés augmentent les risques de choc électrique.
- Pour l'utilisation d'un outil électrique à l'extérieur, se servir d'une rallonge convenant à cette application.** L'utilisation d'une rallonge conçue pour l'extérieur réduira les risques de choc électrique.
- S'il est impossible d'éviter l'utilisation d'un outil électrique dans un endroit humide, brancher l'outil dans une prise ou sur un circuit d'alimentation dotés d'un disjoncteur de fuite à la terre (GFCI).** L'utilisation de ce type de disjoncteur réduit les risques de choc électrique.

### 3) SÉCURITÉ PERSONNELLE

- Être vigilant, surveiller le travail effectué et faire preuve de jugement lorsqu'un outil électrique est utilisé. Ne pas utiliser d'outil électrique en cas de fatigue ou sous l'influence de drogues, d'alcool ou de médicaments.** Un simple moment d'inattention en utilisant un outil électrique peut entraîner des blessures corporelles graves.
- Utiliser des équipements de protection individuelle. Toujours porter une protection oculaire.** L'utilisation d'équipements de protection comme un masque antipoussière, des chaussures antidérapantes, un casque de sécurité ou des protecteurs auditifs lorsque la situation le requiert réduira les risques de blessures corporelles.
- Empêcher les démarrages intempestifs. S'assurer que l'interrupteur se trouve à la position d'arrêt avant de relier l'outil à une source d'alimentation et/ou d'insérer un bloc-piles, de ramasser ou de transporter l'outil.** Transporter un outil électrique alors que le doigt repose sur l'interrupteur ou brancher un outil électrique dont l'interrupteur est à la position de marche risque de provoquer un accident.
- Retirer toute clé de réglage ou clé avant de démarrer l'outil.** Une clé ou une clé de réglage attachée à une partie pivotante de l'outil électrique peut provoquer des blessures corporelles.
- Ne pas trop tendre les bras. Conserver son équilibre en tout temps.** Cela permet de mieux maîtriser l'outil électrique dans les situations imprévues.

f) **S'habiller de manière appropriée. Ne pas porter de vêtements amples ni de bijoux. Garder les cheveux, les vêtements et les gants à l'écart des pièces mobiles.** Les vêtements amples, les bijoux ou les cheveux longs risquent de rester coincés dans les pièces mobiles.

g) **Si des composants sont fournis pour le raccordement de dispositifs de dépeussierage et de ramassage, s'assurer que ceux-ci sont bien raccordés et utilisés.** L'utilisation d'un dispositif de dépeussierage peut réduire les dangers engendrés par les poussières.

### 4) UTILISATION ET ENTRETIEN D'UN OUTIL ÉLECTRIQUE

- Ne pas forcer un outil électrique. Utiliser l'outil électrique approprié à l'application.** L'outil électrique approprié effectuera un meilleur travail, de façon plus sûre et à la vitesse pour laquelle il a été conçu.
- Ne pas utiliser un outil électrique dont l'interrupteur est défectueux.** Tout outil électrique dont l'interrupteur est défectueux est dangereux et doit être réparé.
- Débrancher la fiche de la source d'alimentation et/ou du bloc-piles de l'outil électrique avant de faire tout réglage ou changement d'accessoire ou avant de ranger l'outil.** Ces mesures préventives réduisent les risques de démarrage accidentel de l'outil électrique.
- Ranger les outils électriques hors de la portée des enfants et ne permettre à aucune personne n'étant pas familière avec un outil électrique ou son mode d'emploi d'utiliser cet outil.** Les outils électriques deviennent dangereux entre les mains d'utilisateurs inexpérimentés.
- Entretien des outils électriques. Vérifier si les pièces mobiles sont mal alignées ou coincées, si des pièces sont brisées ou présentent toute autre condition susceptible de nuire au bon fonctionnement de l'outil électrique. En cas de dommage, faire réparer l'outil électrique avant toute nouvelle utilisation.** Beaucoup d'accidents sont causés par des outils électriques mal entretenus.
- S'assurer que les outils de coupe sont aiguisés et propres.** Les outils de coupe bien entretenus et affûtés sont moins susceptibles de se coincer et sont plus faciles à maîtriser.
- Utiliser l'outil électrique, les accessoires, les forets, etc. conformément aux présentes directives en tenant compte des conditions de travail et du travail à effectuer.** L'utilisation d'un outil électrique pour toute opération autre que celle pour laquelle il a été conçu est dangereuse.

### 5) UTILISATION ET ENTRETIEN DU BLOC-PILES

- Ne recharger l'outil qu'au moyen du chargeur précisé par le fabricant.** L'utilisation d'un chargeur qui convient à un type de bloc-piles risque de provoquer un incendie s'il est utilisé avec un autre type de bloc-piles.
- Utiliser les outils électriques uniquement avec les blocs-piles conçus à cet effet.** L'utilisation de tout autre bloc-piles risque de causer des blessures ou un incendie.
- Lorsque le bloc-piles n'est pas utilisé, le tenir éloigné des objets métalliques, notamment des trombones, de la monnaie, des clés, des clous, des vis ou autres petits objets métalliques qui peuvent établir une connexion entre les deux bornes.** Le court-circuit des bornes du bloc-piles risque de provoquer des brûlures ou un incendie.
- En cas d'utilisation abusive, le liquide peut gicler hors du bloc-piles; éviter tout contact avec ce liquide. Si un contact accidentel se produit, laver à grande eau. Si le liquide entre en contact avec les yeux, obtenir également des soins médicaux.** Le liquide qui gicle hors du bloc-piles peut provoquer des irritations ou des brûlures.

### 6) RÉPARATION

- Faire réparer l'outil électrique par un réparateur professionnel en n'utilisant que des pièces de rechange identiques.** Cela permettra de maintenir une utilisation sécuritaire de l'outil électrique.

## Règles spécifiques de sécurité relatives aux lampes de travail

**⚠AVERTISSEMENT :** risques d'incendie. Ne pas utiliser la lampe de travail en présence de liquides ou gaz inflammables ou en milieu déflagrant. Des étincelles internes pourraient enflammer les vapeurs et causer des dommages corporels.

- Ne pas exposer la lampe à l'eau ou à l'humidité. Protéger la lampe de la pluie ou de la neige.
- Ne pas nettoyer la lampe à l'eau ou laisser de l'eau pénétrer à l'intérieur de celle-ci. Ne jamais immerger la lampe dans l'eau.

**⚠AVERTISSEMENT :** pour prévenir toute lésion oculaire grave, disposer la lampe de travail de façon à ce que personne ne puisse fixer directement, délibérément ou non, sa lumière.

**⚠ATTENTION :** après utilisation, ranger la lampe sur son côté, sur une surface stable, là où elle ne pourra ni faire trébucher ni faire chuter quelqu'un. Certains produits équipés d'un large bloc-piles peuvent tenir à la verticale sur celui-ci, mais manquent alors de stabilité.

- L'étiquette apposée sur votre lampe peut inclure les symboles suivants. Les symboles et leur définition sont indiqués ci-après :

V.....volts	A.....ampères
Hz.....hertz	W.....watts
min.....minutes	~.....courant alternatif
—=.....courant continu	∞.....courant alternatif ou continu
Ⓢ.....Classe I fabrication (mis à la terre)	n0.....vitesse à vide
Ⓜ.....fabrication Classe II (double isolation)	Ⓢ.....borne de terre
.../min.....par minute	⚠.....symbole d'avertissement
IPM.....impacts par minute	BPM.....battements par minute
	r/min.....tours par minute

## Consignes de sécurité importantes propres à tous les blocs-piles

Pour commander un bloc-piles de rechange, s'assurer d'inclure son numéro de catalogue et sa tension. Consulter le tableau en dernière page de ce manuel pour connaître les compatibilités entre chargeurs et blocs-piles.

Le bloc-piles n'est pas totalement chargé d'usine. Avant d'utiliser le bloc-piles et le chargeur, lire les consignes de sécurité ci-dessous. Puis suivre la procédure de charge indiquée.

### LIRE TOUTES LES CONSIGNES

- Ne pas recharger ou utiliser un bloc-piles en milieu déflagrant, en présence, par exemple, de poussières, gaz ou liquides inflammables.** Le fait d'insérer ou retirer un bloc-piles de son chargeur pourrait causer l'inflammation de poussières ou d'émanations.
- NE JAMAIS forcer l'insertion d'un bloc-piles dans un chargeur. NE modifier un bloc-piles d'AUCUNE façon pour le faire rentrer dans un chargeur incompatible, car il pourrait se briser et causer des dommages corporels graves.** Consulter le tableau en dernière page de ce manuel pour connaître les compatibilités entre chargeurs et blocs-piles.
- Recharger les blocs-piles exclusivement dans des chargeurs DEWALT.
- NE PAS** éclabousser le bloc-piles ou l'immerger dans l'eau ou dans tout autre liquide.
- Ne pas entreposer ou utiliser l'appareil et le bloc-piles en présence de températures ambiantes pouvant excéder 40 °C (105 °F) (comme dans des hangars ou des bâtiments métalliques l'été).** Pour préserver leur durée de vie, entreposer les blocs-piles dans un endroit frais et sec.
- REMARQUE : ne pas mettre un bloc-piles dans un outil dont la gâchette est verrouillée en position de marche. Ne jamais bloquer l'interrupteur en position de MARCHÉ.**

**⚠AVERTISSEMENT :** risques d'incendie. Ne jamais tenter d'ouvrir le bloc-piles pour quelque raison que ce soit. Si le boîtier du bloc-piles est fissuré ou endommagé, ne pas l'insérer dans un chargeur. Ne pas écraser, laisser tomber, ou endommager les blocs-piles. Ne pas utiliser un bloc-piles ou un chargeur qui a reçu un choc violent, ou si l'appareil est tombé, a été écrasé ou endommagé de quelque façon que ce soit (p. ex. percé par un clou, frappé d'un coup de marteau, piétiné). Les blocs-piles endommagés doivent être renvoyés à un centre de réparation pour y être recyclés.

**⚠AVERTISSEMENT :** risques d'incendie. Au moment de ranger ou transporter le bloc-piles, s'assurer qu'aucun objet métallique n'entre en contact avec les bornes à découvert du bloc-piles. Par exemple, éviter de placer un bloc-piles dans un tablier, une poche, une boîte à outils ou un tiroir, etc. contenant des objets tels que des clous, des vis, des clés, etc. Le fait de transporter des bloc-piles comporte des risques d'incendie, car les bornes des piles pourraient entrer, par inadvertance, en contact avec des objets conducteurs, tels que : clés, pièces de monnaie, outils ou autres. La réglementation sur les produits dangereux (Hazardous Material Regulations) du département américain des transports interdit, en fait, le transport des piles pour le commerce ou dans les avions (ex : dans les bagages enregistrés ou à main) À MOINS qu'elles ne soient correctement protégées contre tout court-circuit. Aussi lors du transport individuel de blocs-piles, s'assurer que leurs bornes sont bien protégées et isolées de tout matériau pouvant entrer en contact avec elles et provoquer un court-circuit.

### CONSIGNES DE SÉCURITÉ PROPRES AUX PILES AU LITHIUM-ION (Li-Ion)

- Ne pas incinérer le bloc-piles même s'il est sévèrement endommagé ou complètement usagé,** car il pourrait exploser et causer un incendie. Pendant l'incinération des blocs-piles au lithium-ion, des vapeurs et matières toxiques sont dégagées.
- En cas de contact du liquide de la pile avec la peau, rincer immédiatement au savon doux et à l'eau.** En cas de contact oculaire, rincer l'œil ouvert à l'eau claire une quinzaine de minutes ou jusqu'à ce que l'irritation cesse. Si des soins médicaux s'avéraient



nécessaires, noter que l'électrolyte de la pile est composé d'un mélange de carbonates organiques liquides et de sels de lithium.

- **Le contenu des cellules d'une pile ouverte peut causer une irritation respiratoire.** En cas d'inhalation, exposer l'individu à l'air libre. Si les symptômes persistent, consulter un médecin.

**⚠AVERTISSEMENT** : risques de brûlure. Le liquide de la pile peut s'enflammer s'il est exposé à des étincelles ou à une flamme.

## Le sceau SRPRC<sup>MC</sup>

Le sceau SRPRC<sup>MC</sup> (Société de recyclage des piles rechargeables au Canada) apposé sur une pile au nickel-cadmium, à hydrure métallique de nickel ou au lithium-ion (ou un bloc-piles) indique que les coûts de recyclage de ces derniers en fin d'utilisation ont déjà été réglés par DEWALT. Dans certaines régions, la mise au rebut ou aux ordures municipales des piles au nickel-cadmium, à l'hydrure métallique de nickel ou au lithium-ion, est illégale ; le programme de SRPRC<sup>MC</sup> constitue donc une solution pratique et écologique.

La SRPRC<sup>MC</sup>, en collaboration avec DEWALT et d'autres utilisateurs de piles, a mis sur pied des programmes aux États-Unis et au Canada pour faciliter la collecte des piles au nickel-cadmium, à l'hydrure métallique de nickel ou au lithium-ion usagées. Aidez-nous à protéger l'environnement et à conserver nos ressources naturelles en renvoyant les piles au nickel-cadmium, à l'hydrure métallique de nickel ou au lithium-ion usagées à un centre de réparation autorisé DEWALT ou chez votre détaillant afin qu'elles y soient recyclées. On peut en outre se renseigner auprès d'un centre de recyclage local pour connaître d'autres sites les acceptant.

SRPRC<sup>MC</sup> est une marque déposée de la Société de recyclage des piles rechargeables au Canada.

## Directives de sécurité importantes propres à tous les chargeurs de piles

**CONSERVER CES INSTRUCTIONS** : ce manuel contient des directives de sécurité et d'utilisation importantes propres aux chargeurs de piles.

- Avant d'utiliser le chargeur, lire toute consigne et tout avertissement apposés sur le chargeur, le bloc-piles et le produit utilisant le bloc-piles.

**⚠AVERTISSEMENT** : risques de chocs électriques. Ne laisser aucun liquide pénétrer dans le chargeur, des chocs électriques pourraient en résulter.

**⚠ATTENTION** : risques de brûlure. Pour réduire tout risque de dommages corporels, ne recharger que des blocs-piles rechargeables DEWALT. Tout autre type de piles pourrait exploser et causer des dommages corporels et matériels.

**AVIS** : sous certaines conditions, lorsque le chargeur est connecté au bloc d'alimentation, des matériaux étrangers pourraient court-circuiter le chargeur. Les corps étrangers conducteurs tels que (mais pas limité à) poussières de rectification, débris métalliques, laine d'acier, feuilles d'aluminium, ou toute accumulation de particules métalliques doivent être maintenus à distance des orifices du chargeur. Débrancher systématiquement le chargeur lorsque le bloc-piles n'y est pas inséré. Débrancher systématiquement le chargeur avant tout entretien.

- **NE PAS tenter de charger de bloc-piles avec des chargeurs autres que ceux décrits dans ce manuel.** Le chargeur et son bloc-piles ont été conçus tout spécialement pour fonctionner ensemble.
- **Ces chargeurs n'ont pas été conçus pour une utilisation autre que recharger les blocs-piles rechargeables DEWALT.** Toute autre utilisation comporte des risques d'incendie, de chocs électriques ou d'électrocution.
- **Protéger le chargeur de la pluie ou de la neige.**
- **Tirer sur la fiche plutôt que sur le cordon pour débrancher le chargeur.** Cela permet de réduire les risques d'endommager la fiche ou le cordon d'alimentation.
- **S'assurer que le cordon est protégé de manière à ce que personne ne marche ni ne trébuche dessus, ou à ce qu'il ne soit ni endommagé ni soumis à aucune tension.**
- **N'utiliser une rallonge qu'en cas de nécessité absolue.** L'utilisation d'une rallonge inadéquate comporte des risques d'incendie, de chocs électriques ou d'électrocution.
- **Pour utiliser un chargeur à l'extérieur, le placer dans un endroit sec et utiliser une rallonge conçue pour l'extérieur.** L'utilisation d'une rallonge conçue pour l'extérieur réduit les risques de chocs électriques.
- **Pour la sécurité de l'utilisateur, utiliser une rallonge de calibre adéquat (AWG, American Wire Gauge [calibrage américain normalisé des fils électriques]).** Plus le calibre est petit, et plus sa capacité est grande. Un calibre 16, par exemple, a une capacité supérieure à un calibre 18. L'usage d'une rallonge de calibre insuffisant causera une chute de tension qui entraînera perte de puissance et surchauffe. Si plus d'une rallonge est utilisée pour obtenir une certaine longueur, s'assurer que chaque rallonge présente au moins le calibre de fil minimum. Le tableau ci-dessous illustre les calibres à utiliser selon la longueur de rallonge et l'intensité nominale indiquée sur la plaque signalétique. En cas de doute, utiliser le calibre suivant. Plus le calibre est petit, plus la rallonge peut supporter de courant.

Calibres minimaux des rallonges						
Intensité (en ampères)		volts	Longueur totale de cordon en mètres (pieds)			
		120V	7,6 (25)	15,2 (50)	30,5 (100)	45,7 (150)
		240V	15,2 (50)	30,5 (100)	61,0 (200)	91,4 (300)
Supérieur à	Inférieur à	AWG				
0	6		18	16	16	14
6	10		18	16	14	12
10	12		16	16	14	12
12	16		14	12	Non recommandé	

- **Ne poser aucun objet sur le chargeur. Ne pas mettre le chargeur sur une surface molle qui pourrait en bloquer la ventilation et provoquer une surchauffe interne.** Éloigner le chargeur de toute source de chaleur. Le chargeur dispose d'orifices d'aération sur le dessus et le dessous du boîtier.
- **Ne pas le faire fonctionner avec un cordon d'alimentation ou une fiche endommagée.**
- **Ne pas utiliser le chargeur s'il a reçu un coup, fait une chute ou a été endommagé de quelque façon que ce soit.** Le ramener dans un centre de réparation agréé.
- **Ne pas démonter le chargeur. Pour tout service ou réparation, le rapporter dans un centre de réparation agréé.** Le fait de le réassembler de façon incorrecte comporte des risques de chocs électriques, d'électrocution et d'incendie.
- **Débrancher le chargeur du secteur avant tout entretien. Cela réduira tout risque de chocs électriques.** Le fait de retirer le bloc-piles ne réduira pas ces risques.
- **NE JAMAIS tenter de connecter 2 chargeurs ensemble.**
- **Le chargeur a été conçu pour être alimenté en courant électrique domestique standard de 120 volts. Ne pas tenter de l'utiliser avec toute autre tension.** Cela ne s'applique pas aux chargeurs de postes mobiles.

## Chargeurs

L'outil utilise un chargeur DEWALT. S'assurer de bien lire toutes les directives de sécurité avant d'utiliser le chargeur. Consulter le tableau figurant à la fin du présent mode d'emploi pour connaître la compatibilité des chargeurs et des blocs-piles.

## Procédure de charge (Fig. 2)

1. Branchez le chargeur dans la prise appropriée avant d'y insérer le bloc-piles.
2. Insérez le bloc-piles (D) dans le chargeur, comme illustré en Figure 2, en vous assurant qu'il y est correctement calé. Le voyant rouge (charge) clignotera de façon continue indiquant que le cycle de chargement a commencé.
3. En fin de charge, le voyant rouge restera ALLUMÉ de façon continue. Le bloc-piles est alors complètement chargé et peut être utilisé ou laissé dans le chargeur.

## Fonctionnement du voyant

	<b>BLOC-PILES EN COURS DE CHARGEMENT</b>	— — — — —
	<b>BLOC-PILES CHARGÉ</b>	—————
	<b>SUSPENSION DE CHARGE CONTRE LE CHAUD/FROID</b>	—●—●—●—●—●
	<b>BLOC-PILES OU CHARGEUR DÉFECTUEUX</b>	●●●●●●●●●●
	<b>PROBLÈME DE SECTEUR</b>	●● ●● ●● ●● ●● ●●

## Voyants de charge

Ce chargeur a été conçu pour détecter les problèmes pouvant survenir. Un voyant rouge clignotant rapidement indique qu'il y a un problème. Dans cette éventualité, réinsérez le bloc-piles dans le chargeur. Si le problème persiste, essayez un autre bloc-piles pour déterminer si le chargeur fonctionne. Si le nouveau bloc-piles se recharge correctement, le bloc-piles initial est endommagé et doit être retourné dans un centre de réparation ou tout autre site de récupération pour y être recyclé. Si l'on obtient le même résultat avec le nouveau bloc-piles, faites vérifier le chargeur et le bloc-piles chez un centre de réparation agréé.

### FONCTION DE SUSPENSION DE CHARGE CONTRE LE CHAUD/FROID

Ce chargeur est équipé d'une fonction de suspension de charge contre le chaud/froid. Lorsque le chargeur détecte un bloc-piles chaud, il démarre automatiquement la fonction de suspension de charge contre le chaud, en suspendant le chargement jusqu'au refroidissement de ce dernier. Une fois le bloc-piles refroidi, le chargeur se met automatiquement en mode de chargement. Cette caractéristique assure aux blocs-piles une durée de vie maximale. Le voyant rouge clignote longuement, puis rapidement en mode de suspension de charge contre le chaud/froid.

### LAISSER LE BLOC-PILES DANS LE CHARGEUR

Le chargeur et son bloc-piles peuvent rester connectés, le voyant du chargeur affichant alors bloc-piles chargé.

**BLOCS-PILES FAIBLES** : les blocs-piles faibles continueront de fonctionner, mais il faudra s'attendre à un rendement moindre.

**BLOCS-PILES DÉFECTUEUX** : ce chargeur ne pourra recharger un bloc-piles défectueux. Le chargeur indiquera qu'un bloc-piles est défectueux en refusant de s'allumer ou en affichant bloc-piles ou chargeur défectueux.

**REMARQUE** : cela pourra aussi indiquer un problème avec le chargeur.

## Remarques importantes concernant le chargement

1. Pour augmenter la durée de vie du bloc-piles et optimiser son rendement, le recharger à une température ambiante de 18 ° à 24 °C (65 °F à 75 °F). NE PAS recharger le bloc-piles à une température inférieure à + 4,5 °C (+ 40 °F) ou supérieure à + 40,5 °C (+ 105 °F). C'est important pour prévenir tout dommage sérieux au bloc-piles.
2. Le chargeur et son bloc-piles peuvent devenir chauds au toucher pendant la charge. C'est normal et ne représente en aucun cas une défaillance du produit. Pour faciliter le refroidissement du bloc-piles après utilisation, éviter de laisser le chargeur ou le bloc-piles dans un local où la température ambiante est élevée comme dans un hangar métallique ou une remorque non isolée.
3. Un bloc-piles froid se rechargera deux fois moins vite qu'un bloc-piles chaud. Le bloc-piles se rechargera à un rythme plus lent tout au cours du cycle de charge et ne retournera pas à sa capacité maximale de charge même s'il venait à se réchauffer.
4. Si le bloc-piles ne se recharge pas correctement :
  - a. Vérifier le bon fonctionnement de la prise en y branchant une lampe ou tout autre appareil électrique.
  - b. Vérifier que la prise n'est pas contrôlée par un interrupteur qui coupe le courant lorsqu'on éteint les lumières.
  - c. Déplacer le chargeur et le bloc-piles dans un local où la température ambiante se trouve entre environ 18 ° et 24 °C (65 °F et 75 °F).
  - d. Si le problème persiste, amener l'outil, le bloc-piles et son chargeur dans un centre de réparation local.
5. Recharger le bloc-piles lorsqu'il ne produit plus assez de puissance pour effectuer un travail qu'il faisait facilement auparavant. NE PAS CONTINUER à l'utiliser dans ces conditions. Suivre la procédure de charge. Si nécessaire, il est aussi possible de recharger un bloc-piles partiellement déchargé sans effet nuisible sur le bloc-piles.
6. Les corps étrangers conducteurs tels que (mais pas limité à) poussières de rectification, débris métalliques, laine d'acier, feuilles d'aluminium, ou toute accumulation de particules métalliques doivent être maintenus à distance des orifices du chargeur. Débrancher systématiquement le chargeur lorsque le bloc-piles n'y est pas inséré. Débrancher systématiquement le chargeur avant tout entretien.
7. Ne pas congeler ou immerger le chargeur dans l'eau ou tout autre liquide.

**⚠AVERTISSEMENT** : risques de chocs électriques. Ne laisser aucun liquide pénétrer dans le chargeur, des chocs électriques pourraient en résulter.

**⚠AVERTISSEMENT** : risques de brûlure. Ne submerger le bloc-piles dans aucun liquide et le protéger de toute infiltration de liquide. Ne jamais tenter d'ouvrir le bloc-piles pour quelque raison que ce soit. Si le boîtier plastique du bloc-piles est brisé ou fissuré, le retourner dans un centre de réparation pour y être recyclé.

## Recommandations de stockage

1. Le lieu idéal de rangement est un lieu frais et sec, à l'abri de toute lumière solaire directe et de toute température excessive.
2. Pour un stockage prolongé, il est recommandé d'entreposer le bloc-piles pleinement chargé dans un lieu frais et sec, hors du chargeur pour optimiser les résultats.

**REMARQUE** : les blocs-piles ne devraient pas être entreposés complètement déchargés. Il sera nécessaire de recharger le bloc-piles avant réutilisation.

## CONSERVER CES CONSIGNES POUR UTILISATION ULTÉRIEURE

### DESCRIPTION (Fig. 1)

**⚠AVERTISSEMENT** : ne jamais modifier la lampe ni aucun de ses composants, car il y a risques de dommages corporels ou matériels.

- |                   |   |
|-------------------|---|
| A. Interrupteur   | E. Bouton de libération du bloc-piles         |
| B. Anneau         | F. Crochet de ceinture (accessoire en option) |
| C. Tête articulée | G. Vis du crochet de ceinture                 |
| D. Bloc-piles     |   |

## UTILISATION

**⚠AVERTISSEMENT** : pour réduire tout risque de dommages corporels graves, éteindre la lampe et déconnecter le bloc-piles avant tout réglage ou avant de retirer ou installer toute pièce ou tout accessoire.

## Installation et retrait du bloc-piles (Fig. 3)

**⚠AVERTISSEMENT** : pour réduire tout risque de dommages corporels, ne jamais appuyer sur le bouton de libération du bloc-piles sans retirer le bloc-piles. Le fait d'appuyer sur le bouton de libération du bloc-piles sans retirer le bloc-piles pourrait faire que celui-ci tombe accidentellement.

**REMARQUE** : pour des résultats optimums, s'assurer que le bloc-piles est complètement chargé. La lampe s'éteindra sans avertissement lorsque le bloc-piles sera complètement déchargé.

Pour installer le bloc-piles (D) dans la poignée de l'outil, alignez le bloc-piles sur les rails dans la poignée de l'outil et faites-le glisser fermement en place puis vérifiez qu'il ne s'en détachera pas.

Pour retirer le bloc-piles de l'outil, poussez sur le bouton de libération (E) et tirez fermement le bloc-piles hors de la poignée de l'outil. Insérez-le dans son chargeur comme décrit dans la section appropriée de ce manuel.

Les deux blocs-piles (DCB200 ou DCB201) peuvent indifféremment être utilisés. Consulter le tableau en fin de manuel pour connaître les compatibilités entre chargeurs et blocs-piles.

## Interrupteur (Fig. 1)

Pour allumer la lampe, appuyez sur l'interrupteur (A). Pour l'éteindre, réappuyez sur l'interrupteur.

## Tête articulée (Fig. 1, 4)

La tête articulée pivote pour projeter de la lumière sur un rayon de -10° à 100°.

## Transport et suspension de la lampe (Fig. 1, 5)

**⚠ATTENTION** : lorsque la lampe est suspendue par le crochet de ceinture ou l'anneau, ne pas la secouer ou secouer l'objet auquel elle est accrochée. Ne pas suspendre la lampe à un fil électrique ou à quelque chose d'instable. Il y a risques de dommages corporels ou matériels.

**⚠ATTENTION** : utiliser uniquement le crochet de ceinture ou l'anneau pour accrocher la lampe de travail DEL. Le crochet de ceinture et l'anneau n'ont pas été conçus pour supporter un poids additionnel. Ne pas rattacher ou suspendre quoi que ce soit d'autre à la lampe pour éviter tout risque de casse.

**⚠ATTENTION** : ne pas utiliser le crochet de ceinture ou l'anneau pour attraper quelque chose ou soutenir votre poids, peu importe la situation.

### ANNEAU (FIG. 1, 5)

La lampe peut être transportée ou accrochée par l'anneau (B). Après utilisation, l'anneau peut être rabattu.

### CROCHET DE CEINTURE (ACCESSOIRE EN OPTION) (FIG. 1)

**⚠AVERTISSEMENT** : pour réduire tout risque de dommages corporels graves, s'assurer que la vis maintenant le crochet de ceinture est bien resserrée.

**IMPORTANT** : pour rattacher ou remplacer le crochet de ceinture (F), utiliser systématiquement la vis (G) fournie à cet effet. S'assurer de serrer fermement la vis.

Le crochet de ceinture (F) peut être rattaché de l'un ou l'autre côté de la lampe à l'aide seulement de la vis (G) fournie, pour accommoder un gaucher ou un droitier. Si vous ne désirez pas utiliser le crochet, il peut être complètement retiré de la lampe.

Pour déplacer le crochet de ceinture, retirez la vis (G) le maintenant en place puis réassemblez-le sur le côté opposé. Assurez-vous de resserrer fermement la vis.

## MAINTENANCE

**⚠AVERTISSEMENT** : pour réduire tout risque de dommages corporels graves, éteindre la lampe et déconnecter le bloc-piles avant tout réglage ou avant de retirer ou installer toute pièce ou tout accessoire.

- Ne pas chercher à réparer la lampe de travail. Pour assurer votre sécurité et la fiabilité du produit, réparation, maintenance et réglages devraient être effectués par les centres de service agréés DEWALT.

## Nettoyage

**⚠AVERTISSEMENT** : ne jamais utiliser de solvants ni d'autres produits chimiques puissants pour nettoyer les pièces non métalliques de l'outil. Ces produits chimiques peuvent affaiblir les matériaux de plastique utilisés dans ces pièces. Utiliser un chiffon humecté uniquement d'eau et de savon doux. Ne jamais laisser de liquide pénétrer dans l'outil et n'immerger aucune partie de l'outil dans un liquide.

### INSTRUCTION DE NETTOYAGE DU CHARGEUR

**⚠AVERTISSEMENT** : risque de choc. Débrancher le chargeur de la prise de courant C.A. avant de le nettoyer. La saleté et la graisse peuvent être enlevées de la surface extérieure du chargeur au moyen d'un chiffon ou d'une brosse douce non métallique. Ne pas utiliser d'eau ni d'autres solutions de nettoyage.



## Accesorios

**⚠️ AVERTISSEMENT :** *puisque les accessoires autres que ceux offerts par DEWALT n'ont pas été testés avec ce produit, leur utilisation pourrait s'avérer dangereuse. Pour réduire le risque de blessures, utiliser exclusivement les accessoires DEWALT recommandés avec le présent produit.*

Les accessoires recommandés pour cet outil sont vendus séparément au centre de service de votre région. Pour obtenir de l'aide concernant l'achat d'un accessoire, communiquer avec DEWALT Industrial Tool Co., 701 East Joppa Road, Baltimore, MD 21286 aux États-Unis; composer le 1 (800) 4-DEWALT (1-800-433-9258) ou visiter notre site Web [www.dewalt.com](http://www.dewalt.com).

## Réparations

Le bloc-piles et le chargeur ne sont pas réparables. Le chargeur ou le bloc-piles ne comportent aucune pièce réparable.

Pour assurer la SÉCURITÉ et la FIABILITÉ du produit, les réparations, l'entretien et les réglages doivent être réalisés (cela comprend l'inspection et le remplacement du balai) par un centre de réparation en usine DEWALT, un centre de réparation agréé DEWALT ou par d'autres techniciens qualifiés. Toujours utiliser des pièces de rechange identiques.

## Garantie limitée de trois ans

DEWALT réparera, sans frais, tout produit défectueux causé par un défaut de matériel ou de fabrication pour une période de trois ans à compter de la date d'achat. La présente garantie ne couvre pas les pièces dont la défectuosité a été causée par une usure normale ou l'usage abusif de l'outil. Pour obtenir de plus amples renseignements sur les pièces ou les réparations couvertes par la présente garantie, visiter le site [www.dewalt.com](http://www.dewalt.com) ou composer le 1 800 433-9258 (1 800 4-DEWALT). Cette garantie ne s'applique pas aux accessoires et ne vise pas les dommages causés par des réparations effectuées par un tiers. Cette garantie confère des droits légaux particuliers à l'acheteur, mais celui-ci pourrait aussi bénéficier d'autres droits variant d'un état ou d'une province à l'autre.

En plus de la présente garantie, les outils DEWALT sont couverts par notre :

### CONTRAT D'ENTRETIEN GRATUIT D'UN AN

DEWALT entretiendra l'outil et remplacera les pièces usées au cours d'une utilisation normale et ce, gratuitement, pendant une période d'un an à compter de la date d'achat.

### CONTRAT D'ENTRETIEN GRATUIT DE DEUX ANS SUR LES BLOC-PILES DEWALT

DC9071, DC9091, DC9096, DC9280, DC9360, DC9180 et DCB200 et la

### GARANTIE DE REMBOURSEMENT DE 90 JOURS

Si l'acheteur n'est pas entièrement satisfait, pour quelque raison que ce soit, du rendement de l'outil électrique, du laser ou de la cloueuse DEWALT, celui-ci peut le retourner, accompagné d'un reçu, dans les 90 jours à compter de la date d'achat pour obtenir un remboursement intégral, sans aucun problème.

**AMÉRIQUE LATINE :** cette garantie ne s'applique aux produits vendus en Amérique latine. Pour ceux-ci, veuillez consulter les informations relatives à la garantie spécifique présente dans l'emballage, appeler l'entreprise locale ou consulter le site Web pour les informations relatives à cette garantie.

**REMPLACEMENT GRATUIT DES ÉTIQUETTES D'AVERTISSEMENT :** si les étiquettes d'avertissement deviennent illisibles ou sont manquantes, composer le 1 800 433-9258 (1 800 4-DEWALT) pour en obtenir le remplacement gratuit.



## Definiciones: Normas de seguridad

Las siguientes definiciones describen el nivel de gravedad de cada palabra de señal. Lea el manual y preste atención a estos símbolos.

**⚠️ PELIGRO:** Indica una situación de peligro inminente que, si no se evita, provocará la muerte o lesiones graves.

**⚠️ ADVERTENCIA:** Indica una situación de peligro potencial que, si no se evita, podría provocar la muerte o lesiones graves.

**⚠️ ATENCIÓN:** Indica una situación de peligro potencial que, si no se evita, posiblemente provocaría lesiones leves o moderadas.

**AVISO:** Se refiere a una práctica no relacionada a lesiones corporales que de no evitarse puede resultar en daños a la propiedad.

SI TIENE ALGUNA DUDA O ALGÚN COMENTARIO SOBRE ÉSTA U OTRA HERRAMIENTA DEWALT, LLÁMENOS AL NÚMERO GRATUITO: **1-800-4-DEWALT (1-800-433-9258)**.

**⚠️ ADVERTENCIA:** Para reducir el riesgo de lesiones, lea el manual de instrucciones.

## Advertencias generales de seguridad para herramientas eléctricas

**⚠️ ADVERTENCIA!** Lea todas las advertencias de seguridad e instrucciones. Si no sigue todas las advertencias e instrucciones podría provocar una descarga eléctrica, un incendio o lesiones graves.

## CONSERVE TODAS LAS ADVERTENCIAS E INSTRUCCIONES PARA FUTURAS CONSULTAS

El término "herramienta eléctrica" incluido en las advertencias hace referencia a las herramientas eléctricas operadas con corriente (con cable eléctrico) o a las herramientas eléctricas operadas con baterías (inalámbricas).

### 1) SEGURIDAD EN EL ÁREA DE TRABAJO

- Mantenga el área de trabajo limpia y bien iluminada.** Las áreas abarrotadas y oscuras propician accidentes.
- No opere las herramientas eléctricas en atmósferas explosivas, como ambientes donde haya polvo, gases o líquidos inflamables.** Las herramientas eléctricas originan chispas que pueden encender el polvo o los vapores.
- Mantenga alejados a los niños y a los espectadores de la herramienta eléctrica en funcionamiento.** Las distracciones pueden provocar la pérdida de control.

### 2) SEGURIDAD ELÉCTRICA

- Los enchufes de la herramienta eléctrica deben adaptarse al tomacorriente. Nunca modifique el enchufe de ninguna manera. No utilice ningún enchufe adaptador con herramientas eléctricas con conexión a tierra.** Los enchufes no modificados y que se adaptan a los tomacorrientes reducirán el riesgo de descarga eléctrica.
- Evite el contacto corporal con superficies con descargas a tierra como, por ejemplo, tuberías, radiadores, cocinas eléctricas y refrigeradores.** Existe mayor riesgo de descarga eléctrica si su cuerpo está puesto a tierra.
- No exponga las herramientas eléctricas a la lluvia o a condiciones de humedad.** Si entra agua a una herramienta eléctrica, aumentará el riesgo de descarga eléctrica.
- No maltrate el cable. Nunca utilice el cable para transportar, tirar o desenchufar la herramienta eléctrica. Mantenga el cable alejado del calor, el aceite, los bordes filosos y las piezas móviles.** Los cables dañados o enredados aumentan el riesgo de descarga eléctrica.
- Al operar una herramienta eléctrica en el exterior, utilice un cable prolongador adecuado para tal uso.** Utilice un cable adecuado para uso en exteriores a fin de reducir el riesgo de descarga eléctrica.
- Si el uso de una herramienta eléctrica en un lugar húmedo es imposible de evitar, utilice un suministro protegido con un interruptor de circuito por falla a tierra (GFCI).** El uso de un GFCI reduce el riesgo de descargas eléctricas.

### 3) SEGURIDAD PERSONAL

- Permanezca alerta, controle lo que está haciendo y utilice el sentido común cuando emplee una herramienta eléctrica. No utilice una herramienta eléctrica si está cansado o bajo el efecto de drogas, alcohol o medicamentos.** Un momento de descuido mientras se opera una herramienta eléctrica puede provocar lesiones personales graves.
- Utilice equipos de protección personal. Siempre utilice protección para los ojos.** En las condiciones adecuadas, el uso de equipos de protección, como máscaras para polvo, calzado de seguridad antideslizante, cascos o protección auditiva, reducirá las lesiones personales.
- Evite el encendido por accidente. Asegúrese de que el interruptor esté en la posición de apagado antes de conectarlo a la fuente de energía o paquete de baterías, o antes de levantar o transportar la herramienta.** Transportar herramientas eléctricas con el dedo apoyado en el interruptor o enchufar herramientas eléctricas con el interruptor en la posición de encendido puede propiciar accidentes.
- Retire la clavija de ajuste o la llave de tuercas antes de encender la herramienta eléctrica.** Una llave de tuercas o una clavija de ajuste que quede conectada a una pieza giratoria de la herramienta eléctrica puede provocar lesiones personales.

- No se estire. Conserve el equilibrio y párese adecuadamente en todo momento.** Esto permite un mejor control de la herramienta eléctrica en situaciones inesperadas.
- Use la vestimenta adecuada. No use ropas holgadas ni joyas. Mantenga el cabello, la ropa y los guantes alejados de las piezas en movimiento.** Las ropas holgadas, las joyas o el cabello largo pueden quedar atrapados en las piezas en movimiento.
- Si se suministran dispositivos para la conexión de accesorios con fines de recolección y extracción de polvo, asegúrese de que estén conectados y que se utilicen correctamente.** El uso de dispositivos de recolección de polvo puede reducir los peligros relacionados con el polvo.

### 4) USO Y MANTENIMIENTO DE LA HERRAMIENTA ELÉCTRICA

- No fuerce la herramienta eléctrica. Utilice la herramienta eléctrica correcta para el trabajo que realizará.** Si se la utiliza a la velocidad para la que fue diseñada, la herramienta eléctrica correcta permite trabajar mejor y de manera más segura.
- No utilice la herramienta eléctrica si no puede encenderla o apagarla con el interruptor.** Toda herramienta eléctrica que no pueda ser controlada mediante el interruptor es peligrosa y debe repararse.
- Desconecte el enchufe de la fuente de energía o el paquete de baterías de la herramienta eléctrica antes de realizar ajustes, cambiar accesorios o almacenar la herramienta eléctrica.** Estas medidas de seguridad preventivas reducen el riesgo de encender la herramienta eléctrica en forma accidental.
- Guarde la herramienta eléctrica que no esté en uso fuera del alcance de los niños y no permita que otras personas no familiarizadas con ella o con estas instrucciones operen la herramienta.** Las herramientas eléctricas son peligrosas si son operadas por usuarios no capacitados.
- Realice el mantenimiento de las herramientas eléctricas. Revise que no haya piezas en movimiento mal alineadas o trabadas, piezas rotas o cualquier otra situación que pueda afectar el funcionamiento de la herramienta eléctrica. Si encuentra daños, haga reparar la herramienta eléctrica antes de utilizarla.** Se producen muchos accidentes a causa de las herramientas eléctricas que carecen de un mantenimiento adecuado.
- Mantenga las herramientas de corte afiladas y limpias.** Las herramientas de corte con mantenimiento adecuado y con los bordes de corte afilados son menos propensas a trabarse y son más fáciles de controlar.
- Utilice la herramienta eléctrica, los accesorios y las brocas de la herramienta, etc. de acuerdo con estas instrucciones y teniendo en cuenta las condiciones de trabajo y el trabajo que debe realizarse.** El uso de la herramienta eléctrica para operaciones diferentes de aquéllas para las que fue diseñada podría originar una situación peligrosa.

### 5) USO Y MANTENIMIENTO DE LA HERRAMIENTA CON BATERÍAS

- Recargue solamente con el cargador especificado por el fabricante.** Un cargador adecuado para un tipo de paquete de baterías puede originar riesgo de incendio si se utiliza con otro paquete de baterías.
- Utilice herramientas eléctricas sólo con paquetes de baterías específicamente diseñados.** El uso de cualquier otro paquete de baterías puede producir riesgo de incendio y lesiones.
- Cuando no utilice el paquete de baterías, manténgalo lejos de otros objetos metálicos como sujetapapeles, monedas, llaves, clavos, tornillos u otros objetos metálicos pequeños que puedan realizar una conexión desde un terminal al otro.** Los cortocircuitos en los terminales de la batería pueden provocar quemaduras o incendio.
- En condiciones abusivas, el líquido puede ser expulsado de la batería. Evite su contacto. Si entra en contacto accidentalmente, enjuague con agua. Si el líquido entra en contacto con los ojos, busque atención médica.** El líquido expulsado de la batería puede provocar irritación o quemaduras.

### 6) MANTENIMIENTO

- Solicite a una persona calificada en reparaciones que realice el mantenimiento de su herramienta eléctrica y que sólo utilice piezas de repuesto idénticas.** Esto garantizará la seguridad de la herramienta eléctrica.

## Normas específicas de seguridad para luces de trabajo

**⚠️ ADVERTENCIA:** Peligro de incendio. No opere la luz de trabajo cerca de líquidos inflamables o en atmósferas gaseosas o explosivas. Es posible que se generen chispas internas que podrían prender los gases y causar lesiones corporales.

- No exponga la luz a áreas mojadas o húmedas. No exponga la luz a lluvia o nieve.
- No lave la luz con agua, ni permita que le entre agua a la luz. No sumerja la luz en agua en ningún momento.

**⚠️ ADVERTENCIA:** No coloque el luz de trabajo en una posición tal que pudiera tener como resultado que alguien mire directamente a a la luz, ya sea intencionadamente o sin querer. Podría resultar en una lesión grave a los ojos.

**⚠️ ATENCIÓN:** Cuando no esté en uso, guarde la luz echada sobre un costado sobre una superficie estable, donde no interrumpa el paso o provoque una caída. Algunos productos con unidades de batería grandes pueden pararse sobre la unidad de batería, pero pueden caerse fácilmente.

- La etiqueta de su luz puede incluir los siguientes símbolos. A continuación se indican los símbolos y sus definiciones:

V.....	..... voltios	A.....	..... amperios
Hz.....	..... hertz	W.....	..... vatios
min.....	..... minutos	~.....	..... corriente alterna
==.....	..... corriente directa	∞.....	..... corriente alterna o directa
⚠️.....	..... Construcción de Clase I (con conexión a tierra)	nº.....	..... velocidad sin carga
⚠️.....	..... Construcción de Clase II (doble aislamiento)	⊕.....	..... terminal de conexión a tierra
.../min.....	..... por minuto	▲.....	..... símbolo de advertencia de seguridad
IPM.....	..... impactos por minuto	BPM.....	..... golpes por minuto
		RPM.....	..... revoluciones por minuto

## Instrucciones de seguridad importantes para todas las unidades de batería

Cuando solicite unidades de batería de repuesto, no olvide indicar el número de catálogo y el voltaje. Consulte la tabla al final de este manual para ver la compatibilidad entre cargadores y unidades de batería.

La unidad de batería no viene completamente cargada de fábrica. Antes de usar la unidad de batería y el cargador, lea las siguientes instrucciones de seguridad. Luego, siga los procedimientos de carga indicados.

## LEA TODAS LAS INSTRUCCIONES

- No cargue o use la unidad de batería en atmósferas explosivas, como en presencia de líquidos, gases o polvos inflamables.** Puede que al insertar o sacar la unidad de batería del cargador se inflamen el polvo o los gases.
- NUNCA fuerce la unidad de batería para que entre en el cargador. NO modifique la unidad de batería en ninguna forma para que entre en un cargador no compatible, pues puede producir una ruptura en la unidad de batería y causar lesiones corporales graves.** Consulte la tabla al final de este manual para ver la compatibilidad entre baterías y cargadores.
- Cargue las unidades de batería sólo en los cargadores designados por DEWALT.
- NO** salpique con ni sumerja en agua u otros líquidos.
- No guarde ni use la herramienta y unidad de batería en lugares donde la temperatura pueda alcanzar o superar los 40 °C (105 °F), tales como cobertizos o construcciones de metal durante el verano.** Almacene las unidades de batería en lugares frescos y secos para maximizar su vida útil.
- NOTA: No almacene las unidades de batería en la herramienta con el interruptor de gatillo en posición encendida fija. Nunca use cinta adhesiva para mantener el interruptor de gatillo en posición ENCENDIDA.**

**⚠️ ADVERTENCIA:** Peligro de incendio. Nunca intente abrir la unidad de batería por ningún motivo. Si la caja exterior de la unidad de batería se triza o daña, no la introduzca en el cargador. No triture, deje caer o dañe la unidad de batería. No use una unidad de batería o un cargador que haya sido golpeado, dejado caer, atropellado o dañado en cualquier forma (por ejemplo, perforado por un clavo, golpeado con un martillo, pisado). Lleve sus unidades de batería dañadas al centro de servicio para que sean recicladas.

**⚠️ ADVERTENCIA:** Peligro de incendio. No guarde ni transporte la unidad de batería de manera que objetos metálicos puedan hacer contacto con los terminales expuestos de la batería. Por ejemplo, no ponga la unidad de batería en delantales, bolsillos, cajas de herramientas, estuches de productos, cajones, etc., junto con clavos, tornillos, llaves, etc., sueltos. **El transporte de baterías puede causar incendios si sus terminales inadverentemente entran en contacto con materiales conductores como llaves, monedas, herramientas de mano y otros por el estilo.** El Reglamento sobre Materiales Peligrosos (HMR) del Ministerio de Transporte de los Estados Unidos actualmente prohíbe el transporte de baterías en el comercio o en aviones (por ejemplo, embaladas en maletas y maletines de mano) A NO SER que estén debidamente protegidas para prevenir cortocircuitos. Por lo tanto, cuando transporte unidades de batería individuales, asegúrese de que sus terminales estén protegidos y debidamente aislados de materiales que pudieran entrar en contacto con ellos y causar un cortocircuito.



## INSTRUCCIONES DE SEGURIDAD ESPECÍFICAS PARA BATERÍAS DE IONES DE LITIO (Li-Ion)

- NO incinere la unidad de batería, aunque esté completamente dañada o descargada. La unidad de batería puede explotar si se quema.** Cuando se queman unidades de batería de iones de litio, se producen gases y materiales tóxicos.
- Si el contenido de la batería entra en contacto con la piel, lave el área de inmediato con agua y un jabón suave.** Si el líquido de la batería entra en contacto con sus ojos, enjuáguelos con agua y los ojos abiertos por 15 minutos o hasta que cese la irritación. Si se requiere de asistencia médica, el electrolito de la batería está compuesto por una mezcla de carbonatos orgánicos líquidos y sales de litio.
- El contenido de los elementos abiertos de la batería puede causar irritación en el tracto respiratorio.** Salga al aire fresco. Si los síntomas persisten, busque asistencia médica.

**⚠ADVERTENCIA:** Peligro de quemaduras. El líquido de la batería puede ser inflamable si se expone a chispas o llamas.

### El sello RBRC™

El sello RBRC™ (Rechargeable Battery Recycling Corporation) en las baterías (o unidades de batería) de níquel cadmio, níquel e hidruro metálico o de iones de litio indica que el costo de reciclaje de estas baterías (o unidades de batería) al llegar al final de su vida de servicio ya ha sido pagado por DEWALT. En algunas áreas, es ilegal depositar baterías de níquel cadmio, níquel e hidruro metálico o de iones de litio gastadas en la basura o la corriente de residuos sólidos urbanos; el programa RBRC™ proporciona una alternativa ecológica.

RBRC™, en cooperación con DEWALT y otros usuarios de baterías, han establecido programas en los Estados Unidos y Canadá para facilitar la recolección de baterías de níquel cadmio, níquel e hidruro metálico o de iones de litio gastadas. Al llevar sus baterías de níquel cadmio, níquel e hidruro metálico y de iones de litio gastadas a un centro de servicio autorizado por DEWALT o al minorista local para que sean recicladas, ayuda a proteger el medio ambiente y a conservar recursos naturales. También puede comunicarse con el centro de reciclaje de su localidad para mayor información sobre dónde llevar sus baterías gastadas.

RBRC™ es una marca comercial registrada de *Rechargeable Battery Recycling Corporation*.

## Instrucciones importantes de seguridad para todos los cargadores de baterías

**GUARDE ESTAS INSTRUCCIONES:** Este manual contiene instrucciones de seguridad y operación importantes para los cargadores de baterías.

- Antes de usar el cargador, lea todas las instrucciones y advertencias que se encuentren en el cargador, la unidad de batería y el producto que usa la unidad de batería.

**⚠ADVERTENCIA:** Peligro de descarga eléctrica. No permita que ningún líquido se introduzca en el cargador. Puede producir descargas eléctricas.

**⚠ATENCIÓN:** Peligro de quemaduras. Para reducir el riesgo de lesiones, sólo cargue unidades de batería recargables marca DEWALT. Otros tipos de batería podrían sobrecalentarse y reventar lo que podría resultar en lesiones corporales y daños a su propiedad.

**AVISO:** Bajo ciertas condiciones, cuando el cargador está enchufado a una toma de corriente, el cargador puede hacer cortocircuito si entra en contacto con algún material ajeno. Los materiales ajenos de naturaleza conductora, como el polvo de esmerilado, las placas de metal, la lana de acero, el papel de aluminio y otros, o cualquier acumulación de partículas metálicas deberían mantenerse alejados de las cavidades del cargador. Desenchufe siempre el cargador cuando no haya una unidad de batería en su cavidad. Desenchufe el cargador antes de intentar limpiarlo.

- NO intente cargar la unidad de batería con otros cargadores que no sean los descritos en este manual.** El cargador y la unidad de batería fueron específicamente diseñados para trabajar en conjunto.
- Estos cargadores no fueron diseñados para ser utilizados para más que cargar las baterías recargables DEWALT.** Cualquier otro uso puede producir riesgo de incendios, descargas eléctricas o electrocución.
- No exponga el cargador a la lluvia o a la nieve.**
- Tire del enchufe y no del cable cuando desconecte el cargador.** De esta forma se reduce el riesgo de daño al enchufe y cable.
- Asegúrese de que el cable no sea ubicado de manera que podría ser pisado, causar que alguien tropiece con él o ser expuesto a otro tipo de daños y desgastes.**
- No use un alargador a menos que sea absolutamente necesario.** El uso de un alargador incorrecto podría producir riesgo de incendios, descargas eléctricas o electrocución.
- Cuando opere un cargador al exterior, hágalo siempre en un lugar seco y use un alargador apropiado para uso al exterior.** El uso de un alargador apropiado para uso al exterior reduce el riesgo de descarga eléctrica.
- Los hilos del alargador deben ser de un calibre apropiado (AWG o American Wire Gauge) para su seguridad.** Mientras menor sea el calibre del hilo, mayor la capacidad del cable. Es decir, un hilo calibre 16 tiene mayor capacidad que uno de 18. Un cable de un calibre insuficiente causará una caída en la tensión de la línea dando por resultado una pérdida de energía y sobrecalentamiento. Cuando se utilice más de un alargador para completar el largo total, asegúrese que los hilos de cada alargador tengan el calibre mínimo. La tabla siguiente muestra el tamaño correcto a utilizar, dependiendo de la longitud del cable y del amperaje nominal de la placa de identificación. Si tiene dudas sobre cuál calibre usar, use un calibre mayor. Cuanto menor sea el número del calibre, más resistente será el cable.



Calibre mínimo para juegos de cables						
Capacidad nominal en amperios		Voltios	Largo total del cable en metros (en pies)			
		120V	7,6 (25)	15,2 (50)	30,5 (100)	45,7 (150)
		240V	15,2 (50)	30,5 (100)	61,0 (200)	91,4 (300)
Desde	Hasta	AWG				
0	6		18	16	16	14
6	10		18	16	14	12
10	12		16	16	14	12
12	16		14	12	No recomendado	

- No coloque ningún objeto encima del cargador ni coloque a este sobre una superficie blanda que pudiera bloquear las ranuras de ventilación y resultar en un calor interno excesivo.** Coloque el cargador en un lugar alejado de cualquier fuente de calor. El cargador se ventila a través de las ranuras que se encuentran en la parte superior e inferior de la caja protectora.
- No opere el cargador si su cable o enchufe están dañados.**
- No opere el cargador si ha recibido un golpe agudo, si se ha caído o si ha sido dañado de alguna otra forma.** Llévelo a un centro de servicio autorizado.
- No desarme el cargador; llévelo a un centro de servicio autorizado cuando deba ser reparado.** Si es reensamblado incorrectamente, puede causar descargas eléctricas, electrocución o incendios.
- Desenchufe el cargador antes de intentar limpiarlo.** Esto reducirá el riesgo de descargas eléctricas. El retirar el paquete de baterías no reducirá este riesgo.
- NUNCA** intente conectar 2 cargadores entre sí.
- El cargador está diseñado para operar con una corriente eléctrica estándar residencial de 120 V. No intente usarlo con ningún otro voltaje.** Esto no aplica al cargador vehicular.

### Cargadores

Su herramienta utiliza un cargador DEWALT. Asegúrese de leer todas las instrucciones de seguridad antes de utilizar su cargador. Consulte el gráfico al final del manual para conocer la compatibilidad entre los cargadores y los paquetes de baterías.

### Procedimiento de carga (Fig. 2)

- Enchufe el cargador en una toma de corriente apropiada antes de insertar la unidad de batería.
- Inserte la unidad de batería (D) en el cargador, como se muestra en la Figura 2, comprobando que quede bien colocado dentro del mismo. La luz roja (de carga) parpadeará continuamente para indicar que se ha iniciado el proceso de carga.
- La luz roja se quedará ENCENDIDA continuamente cuando se haya completado el proceso de carga. La unidad estará entonces completamente cargada y podrá ser utilizado de inmediato o dejarse en el cargador.

### Operación de la luz indicadora

	UNIDAD EN PROCESO DE CARGA	— — — — —
	UNIDAD CARGADA	—————
	RETRASO POR UNIDAD CALIENTE/FRÍA	—● —● —● —●
	UNIDAD O CARGADOR CON PROBLEMAS	●●●●●●●●●●
	LÍNEA DE ALIMENTACIÓN CON PROBLEMAS	●● ●● ●● ●●

### Indicadores de carga

Este cargador ha sido diseñado para detectar ciertos problemas que pudieran surgir. Estos problemas se indican mediante una luz roja intermitente rápida. Si esto ocurre, vuelva a colocar la unidad de batería en el cargador. Si el problema persiste, pruebe con otra unidad de batería

para determinar si el cargador está funcionando debidamente. Si la segunda unidad de batería carga correctamente, significa que la primera está fallada y debería ser llevada a un centro de servicio u otro lugar de colección para su reciclaje. Si la segunda unidad de batería hace que el cargador indique el mismo problema que la primera, lleve el cargador y la unidad de batería a un centro de servicio autorizado para su examinación.

### RETARDO POR UNIDAD CALIENTE/FRÍA

Este cargador tiene una función de retardo por unidad caliente/fría: cuando el cargador detecta una batería caliente, inmediatamente empieza un retardo por unidad caliente y suspende la carga hasta que la batería se haya enfriado. Una vez enfriada la batería, el cargador pasará automáticamente a la modalidad de carga de la unidad. Esta función asegura la máxima duración de su batería. La luz roja parpadeará a intervalos largos, luego cortos cuando esté en modalidad de retardo por unidad caliente/fría.

### PERMANENCIA DE LA UNIDAD DE BATERÍA EN EL CARGADOR

El cargador y la unidad de batería pueden dejarse conectados con la luz del cargador indicando que la unidad está cargada.

**UNIDADES DE BATERÍA DESGASTADAS:** Las baterías desgastadas seguirán funcionando pero no debe esperarse que tengan capacidad para la misma cantidad de trabajo.

**UNIDADES DE BATERÍA DEFECTUOSAS:** Este cargador no cargará una unidad de batería defectuosa. El cargador indicará que la unidad de batería es defectuosa al no iluminarse o al indicar que existe un problema con la unidad o el cargador.

**NOTA:** Esto también puede significar que hay un problema con el cargador.

### Notas importantes sobre la carga

- Se puede obtener una mayor duración y un mejor rendimiento si la unidad de batería se carga a una temperatura ambiente de 18–24 °C (65–75 °F). NO cargue la unidad de batería a una temperatura ambiental inferior a +4.5 °C (+40 °F) o superior a +40.5 °C (+105 °F). Esto es importante y evitará causar daños graves a la batería.
- Puede que el cargador y la unidad de batería se calienten ligeramente durante el proceso de carga. Esto es normal y no representa ningún problema. Para facilitar el enfriamiento de la unidad de batería después del uso, evite colocar el cargador o la unidad de batería en un lugar cálido, como un cobertizo metálico o un remolque sin aislamiento térmico.
- Una unidad de batería fría se demora el doble del tiempo en cargarse que una unidad de batería caliente. La unidad de batería se cargará a ese ritmo más lento durante todo el ciclo de carga y no volverá a cargarse a la velocidad de carga máxima aún cuando la unidad de batería se caliente.
- Si la unidad de batería no se carga correctamente:
  - Verifique el funcionamiento de la toma enchufando una lámpara u otro aparato;
  - Revise que la toma de corriente no esté conectada a un interruptor de luz que corte la corriente cuando se corte la luz;
  - Mueva el cargador y la unidad de batería a un lugar donde la temperatura ambiental sea aproximadamente 18–24 °C (65–75 °F);
  - Si el problema de carga continúa, lleve la herramienta, unidad de batería y el cargador a su centro de servicio local.
- La unidad de batería debería ser recargada cuando no sea capaz de producir suficiente potencia para trabajos que eran fácilmente realizados antes. NO CONTINUE usándola bajo estas circunstancias. Siga el procedimiento de carga. También puede cargar una unidad de batería que haya sido usada parcialmente cuando lo desee, sin dañarla.
- Los materiales ajenos conductores por naturaleza, tales como, pero sin limitarse a, el polvo del esmerilado, las virutas metálicas, la lana de acero, el papel de aluminio o cualquier acumulación de partículas metálicas deberían mantenerse alejados de las cavidades del cargador. Desenchufe siempre el cargador de la toma de corriente cuando no haya una unidad de batería en su cavidad. Desenchufe el cargador antes de intentar limpiarlo.
- No congele ni sumerja el cargador en agua o cualquier otro líquido.

**⚠ADVERTENCIA:** Peligro de descarga eléctrica. No permita que ningún líquido se introduzca en el cargador. Puede producir descargas eléctricas.

**⚠ADVERTENCIA:** Peligro de quemaduras. No sumerja la unidad de batería en líquido de ningún tipo ni permita que se introduzca ningún tipo de líquido a la unidad de batería. Nunca intente abrir la unidad de batería por ningún motivo. Si la caja plástica de la unidad de batería se triza o rompe, llévela a un centro de servicio para su reciclaje

### Recomendaciones de almacenamiento

- El mejor lugar de almacenamiento es uno que sea fresco y seco, lejos de la luz solar directa y del exceso de calor o frío.
- Para resultados óptimos durante tiempos prolongados de almacenamiento, se recomienda almacenar la unidad de batería completamente cargada en un lugar fresco y seco fuera del cargador.

**NOTA:** Las unidades de batería no deberían almacenarse completamente descargadas. La unidad de batería deberá recargarse antes de ser usada.

## GUARDE ESTAS INSTRUCCIONES PARA FUTURAS CONSULTAS

### COMPONENTES (Fig. 1)

**⚠ADVERTENCIA:** Nunca modifique la luz, ni tampoco ninguna de sus piezas. Podría producir lesiones corporales o daños.

- |                      |  |
|----------------------|--|
| A. Interruptor       | E. Botón de liberación de la batería         |
| B. Bucle             | F. Gancho para cinturón (accesorio opcional) |
| C. Cabezal oscilante | G. Tornillo del gancho para cinturón         |
| D. Batería           |  |

### OPERACIÓN

**⚠ADVERTENCIA:** Para reducir el riesgo de lesiones corporales graves, apague la luz y desconecte la unidad de batería antes de realizar ajustes o de quitar o poner accesorios.

### Cómo instalar y retirar la unidad de batería (Fig. 3)

**⚠ADVERTENCIA:** Para reducir el riesgo de lesiones, nunca presione el botón de liberación de la batería si no pretende quitar la unidad de batería. Si presiona el botón de liberación de la batería sin retirar la unidad de batería, ésta podría caerse inesperadamente de su lugar.

**NOTA:** Para mejores resultados, verifique que su unidad de batería esté completamente cargada. La luz se apagará sin previo aviso cuando la batería esté completamente descargada.

Para instalar la unidad de batería (D) en el mango de la herramienta, alinee la unidad de batería con los rieles en el interior del mango de la herramienta y deslicela en el mango hasta que la unidad de batería quede firmemente insertada en la herramienta; verifique que ésta no se salga sola.

Para retirar la unidad de alimentación de la herramienta, presione los botones de liberación (E) y tire firmemente de la unidad de batería para sacarla del mango de la herramienta. Insértela en el cargador tal como se describe en la sección del cargador de este manual.

Se puede utilizar la batería (DCB200 ó DCB201). Consulte la tabla al final de este manual para ver la compatibilidad entre cargadores y unidades de batería.

### Interruptor (Fig. 1)

Para encender la luz apriete el interruptor (A). Para apagarla oprima de nuevo el interruptor.

### Cabezal oscilante (Fig. 1, 4)

El foco direccional rota para poder alumbrar un área de -10° a 100°.

### Cómo portar y suspender la luz (Fig. 1, 5)

**⚠ATENCIÓN:** Cuando la luz cuelgue del gancho para cinturón o del bucle, no sacuda la luz o el objeto del cual cuelga. No cuelgue la luz de cables de electricidad o de cualquier cosa que no sea firme. Podría resultar en lesiones corporales o daño a su propiedad.

**⚠ATENCIÓN:** Sólo utilice el gancho para cinturón o el bucle para colgar la luz de trabajo LED. El gancho para cinturón y el bucle no han sido diseñados para soportar peso adicional. No sujete ni cuelgue ningún objeto adicional a la luz, o podría romperse.

**⚠ATENCIÓN:** No utilice el gancho para cinturón o el bucle para soportarlo mientras se estira hacia algún lado, o para soportar su peso bajo cualquier circunstancia.

### BUCLE (FIG. 1, 5)

La luz puede ser portada o colgada de su bucle (B). Cuando no lo utilice, el bucle podrá plegarse.

### GANCHO PARA CINTURÓN (ACCESORIO OPCIONAL) (FIG. 1)

**⚠ADVERTENCIA:** Para reducir el riesgo de lesión corporal grave, verifique que el tornillo que sujeta el gancho para cinturón esté ajustado.

**IMPORTANTE:** Al añadir o reemplazar el gancho para cinturón (F), utilice solamente el tornillo (G) que se suministra. Cerciórese de apretar firmemente el tornillo.

El gancho para cinturón (F) puede colocarse en cualquiera de los dos lados de la luz usando sólo el tornillo (G) que viene incluido, para poder ser utilizado por usuarios diestros o siniestros. Si nunca va a necesitar el gancho, puede extraerlo de la luz.

Para mover el gancho para cinturón al otro lado, quite el tornillo (G) que sostiene el gancho para cinturón en su lugar y vuélvalo a ensamblar en el otro lado. Asegúrese de ajustar bien el tornillo.

### MANTENIMIENTO

**⚠ADVERTENCIA:** Para reducir el riesgo de lesiones corporales graves, apague la luz y desconecte la unidad de batería antes de realizar ajustes o de quitar o poner accesorios.



- No trate de reparar la luz de trabajo. Para garantizar la seguridad y confiabilidad del producto, las reparaciones, el mantenimiento y los ajustes deben realizarlos los centros de servicio DEWALT autorizados.

## Limpieza

**ADVERTENCIA:** Nunca utilice solventes ni otros químicos abrasivos para limpiar las piezas no metálicas de la herramienta. Estos productos químicos pueden debilitar los materiales plásticos utilizados en estas piezas. Utilice un paño humedecido sólo con agua y jabón neutro. Nunca permita que penetre líquido dentro de la herramienta ni sumerja ninguna de las piezas en un líquido.

## INSTRUCCIONES DE LIMPIEZA DEL CARGADOR

**ADVERTENCIA:** Riesgo de descarga eléctrica. Desconecte el cargador del tomacorriente de CA antes de limpiarlo. Se puede usar un paño o un cepillo suave, que no sea metálico, para quitar la suciedad y la grasa de la parte externa del cargador. No use agua ni cualquier otra solución de limpieza.

## Accesorios

**ADVERTENCIA:** Debido a que no se han probado con este producto otros accesorios que no sean los que ofrece DEWALT, el uso de dichos accesorios con esta herramienta podría ser peligroso. Para reducir el riesgo de lesiones, con este producto deben usarse sólo los accesorios recomendados por DEWALT.

Los accesorios que se recomiendan para utilizar con la herramienta están disponibles a un costo adicional en su distribuidor local o en un centro de mantenimiento autorizado. Si necesita ayuda para localizar algún accesorio, póngase en contacto con DEWALT Industrial Tool Co., 701 East Joppa Road, Baltimore, MD 21286, llame al 1-800-4-DEWALT (1-800-433-9258) o visite nuestro sitio Web [www.dewalt.com](http://www.dewalt.com).

## Reparaciones

El cargador y las unidades de batería no pueden ser reparados. El cargador y la unidad de batería no contienen piezas reparables.

Para asegurar la SEGURIDAD y la CONFIABILIDAD del producto, las reparaciones, el mantenimiento y los ajustes deben (inclusive inspección y cambio de carbones) ser realizados en un centro de mantenimiento en la fábrica DEWALT, en un centro de mantenimiento autorizado DEWALT u por otro personal de mantenimiento calificado. Utilice siempre piezas de repuesto idénticas.

### PARA REPARACIÓN Y SERVICIO DE SUS HERRAMIENTAS ELÉCTRICAS, FAVOR DE DIRIGIRSE AL CENTRO DE SERVICIO MÁS CERCANO

#### CULIACAN, SIN

Bldv.Emiliano Zapata 5400-1 Poniente  
Col. San Rafael (667) 717 89 99

#### GUADALAJARA, JAL

Av. La Paz #1779 - Col. Americana Sector Juárez (33) 3825 6978

#### MEXICO, D.F.

Eje Central Lázaro Cárdenas No. 18  
Local D, Col. Obrera (55) 5588 9377

#### MERIDA, YUC

Calle 63 #459-A - Col. Centro (999) 928 5038

#### MONTERREY, N.L.

Av. Francisco I. Madero 831 Poniente - Col. Centro (818) 375 23 13

#### PUEBLA, PUE

17 Norte #205 - Col. Centro (222) 246 3714

#### QUERETARO, QRO

Av. San Roque 274 - Col. San Gregorio (442) 2 17 63 14

#### SAN LUIS POTOSI, SLP

Av. Universidad 1525 - Col. San Luis (444) 814 2383

#### TORREON, COAH

Bldv. Independencia, 96 Pte. - Col. Centro (871) 716 5265

#### VERACRUZ, VER

Prolongación Díaz Mirón #4280 - Col. Remes (229) 921 7016

#### VILLAHERMOSA, TAB

Constitución 516-A - Col. Centro (993) 312 5111

### PARA OTRAS LOCALIDADES:

Si se encuentra en México, por favor llame al (55) 5326 7100

Si se encuentra en U.S., por favor llame al  
1-800-433-9258 (1-800 4-DEWALT)

## Póliza de Garantía

### IDENTIFICACIÓN DEL PRODUCTO:

Sello o firma del Distribuidor.

Nombre del producto: \_\_\_\_\_ Mod./Cat.: \_\_\_\_\_

Marca: \_\_\_\_\_ Núm. de serie: \_\_\_\_\_

(Datos para ser llenados por el distribuidor)

Fecha de compra y/o entrega del producto: \_\_\_\_\_

Nombre y domicilio del distribuidor donde se adquirió el producto: \_\_\_\_\_

Este producto está garantizado por un año a partir de la fecha de entrega, contra cualquier defecto en su funcionamiento, así como en materiales y mano de obra empleados para su fabricación. Nuestra garantía incluye la reparación o reposición del producto y/o componentes sin cargo alguno para el cliente, incluyendo mano de obra, así como los gastos de transportación razonablemente erogados derivados del cumplimiento de este certificado.

Para hacer efectiva esta garantía deberá presentar su herramienta y esta póliza sellada por el establecimiento comercial donde se adquirió el producto, de no contar con ésta, bastará la factura de compra.

## EXCEPCIONES

Esta garantía no será válida en los siguientes casos:

- Cuando el producto se hubiese utilizado en condiciones distintas a las normales;
- Cuando el producto no hubiese sido operado de acuerdo con el instructivo de uso que se acompaña;
- Cuando el producto hubiese sido alterado o reparado por personas distintas a las enlistadas al final de este certificado.

Anexo encontrará una relación de sucursales de servicio de fábrica, centros de servicio autorizados y franquiciados en la República Mexicana, donde podrá hacer efectiva su garantía y adquirir partes, refacciones y accesorios originales.

## Garantía limitada por tres años

DEWALT reparará, sin cargo, cualquier falla que surja de defectos en el material o la fabricación del producto, por hasta tres años a contar de la fecha de compra. Esta garantía no cubre fallas de las piezas causadas por su desgaste normal o abuso a la herramienta. Para mayores detalles sobre la cobertura de la garantía e información acerca de reparaciones realizadas bajo garantía, visítenos en [www.dewalt.com](http://www.dewalt.com) o diríjase al centro de servicio más cercano. Esta garantía no aplica a accesorios o a daños causados por reparaciones realizadas o intentadas por terceros. Esta garantía le otorga derechos legales específicos, además de los cuales puede tener otros dependiendo del estado o la provincia en que se encuentre.

Además de la garantía, las herramientas DEWALT están cubiertas por:

### 1 AÑO DE SERVICIO GRATUITO

DEWALT mantendrá la herramienta y reemplazará las piezas gastadas por su uso normal, sin cobro, en cualquier momento durante un año a contar de la fecha de compra. Los artículos gastados por la clavadora, tales como la unidad de hoja y retorno del impulsador, no están cubiertas.

### 2 AÑOS DE SERVICIO GRATUITO PARA UNIDADES DE ALIMENTACIÓN DEWALT

DC9071, DC9091, DC9096, DC9280, DC9360, DC9180 y DCB200

### GARANTÍA DE REEMBOLSO DE SU DINERO POR 90 DÍAS

Si no está completamente satisfecho con el desempeño de su máquina herramienta, láser o clavadora DEWALT, cualquiera sea el motivo, podrá devolverlo hasta 90 días de la fecha de compra con su recibo y obtener el reembolso completo de su dinero – sin necesidad de responder a ninguna pregunta.

**AMÉRICA LATINA:** Esta garantía no se aplica a los productos que se venden en América Latina. Para los productos que se venden en América Latina, debe consultar la información de la garantía específica del país que viene en el empaque, llamar a la compañía local o visitar el sitio Web a fin de obtener esa información.

**REEMPLAZO GRATUITO DE LAS ETIQUETAS DE ADVERTENCIAS:** Si sus etiquetas de advertencia se vuelven ilegibles o faltan, llame al 1-800-4-DEWALT (1-800-433-9258) para que se le reemplacen gratuitamente.



## ESPECIFICACIONES

DCL040 20 V Máx\*

SOLAMENTE PARA PROPÓSITO DE MÉXICO:  
IMPORTADO POR: DEWALT S.A. DE C.V.  
BOSQUES DE CIDROS, ACCESO RADIATAS NO.42  
3A. SECCIÓN DE BOSQUES DE LAS LOMAS  
DELEGACIÓN CUAJIMALPA,  
05120, MÉXICO, D.F.  
TEL. (52) 555-326-7100  
R.F.C.: BDE810626-1W7

Para servicio y ventas consulte  
"HERRAMIENTAS ELÉCTRICAS"  
en la sección amarilla.



Battery	Chargers/Charge Time (Minutes) – Chargeurs/Durée de charge (Minutes) – Cargadores de baterías/Tiempo de carga (Minutos)																				
	120 Volts										12 Volts										
Cat Number	Output Voltage	DW9106	DW9118	DW9107	DW9108	DW9116	DW9216	DW9117	DW911	DC011	DC022	DC9000	DC9310	DC9320	DCB100	DCB101	DW0246	DCB119	DW0249	DW9109	DC9319
DC9360	36	X	X	X	X	X	X	X	X	X	X	60	X	X	X	X	X	X	X	X	X
DC9280	28	X	X	X	X	X	X	X	X	X	X	60	X	X	X	X	X	X	X	X	X
DW0242	24	X	X	X	X	60	60	60	60	60	60	X	X	X	X	X	60	X	X	X	X
DC9096	18	X	X	X	X	45	45	45	45	45	45	X	X	X	X	X	X	X	X	X	60
DC9089	18	X	X	X	X	45	45	45	45	45	45	X	X	X	X	X	X	X	X	X	45
DC9180	18	X	X	X	X	X	X	X	X	X	X	X	X	X	X	X	X	X	X	X	60
DC9181	18	X	X	X	X	X	X	X	X	X	X	X	X	X	X	X	X	X	X	X	30
DCB200	20	X	X	X	X	X	X	X	X	X	X	X	X	X	X	X	X	90	X	X	X
DCB201	20	X	X	X	X	X	X	X	X	X	X	X	X	X	X	X	X	45	X	X	X
DW9096	18	X	X	X	X	60	60	60	60	60	60	X	X	X	X	X	X	X	X	X	60
DW9098	18	X	X	X	X	30	30	30	30	30	30	X	X	X	X	X	X	X	X	X	30
DW9089	18	X	X	X	X	45	45	45	45	45	45	X	X	X	X	X	X	X	X	X	45
DC9091	14.4	90	115	60	60	60	60	60	60	60	60	X	X	X	X	X	X	X	X	X	60
DC9094	14.4	60	90	45	45	45	45	45	45	45	45	X	X	X	X	X	X	X	X	X	45
DW9091	14.4	60	90	45	45	45	45	45	45	45	45	X	X	X	X	X	X	X	X	X	45
DW9094	14.4	45	60	30	30	30	30	30	30	30	30	X	X	X	X	X	X	X	X	X	30
DCB120	12	X	X	X	X	X	X	X	X	X	X	X	X	X	40	40	X	X	X	X	30
DW9050	12	40	90	115	60	60	60	60	60	60	60	X	X	X	X	X	X	X	X	X	60
DW9071	12	60	90	45	45	45	45	45	45	45	45	X	X	X	X	X	X	X	X	X	45
DW9072	12	45	60	30	30	30	30	30	30	30	30	X	X	X	X	X	X	X	X	X	30
DW9048	9.6	40	90	45	45	45	45	45	45	45	45	X	X	X	X	X	X	X	X	X	45
DW9061	9.6	60	90	45	45	45	45	45	45	45	45	X	X	X	X	X	X	X	X	X	45
DW9062	9.6	45	60	30	30	30	30	30	30	30	30	X	X	X	X	X	X	X	X	X	30
DW9057	7.2	45	60	30	30	30	30	30	30	30	30	X	X	X	X	X	X	X	X	X	30

"X" indicates that the battery pack is not compatible with that specific charger.

"X" indique que le bloc-piles n'est pas compatible avec ce chargeur.

Una "X" indica que el paquete de baterías no es compatible con ese determinado cargador.

All charge times are approximate. Actual charge time may vary. Read the instruction manual for more specific information.

Les durées de charge sont approximatives; la durée de charge réelle peut varier. Lire le manuel d'utilisation pour obtenir des renseignements plus précis.

El tiempo de duración de carga es aproximado; la duración de carga real puede variar. Lea el manual de instrucciones para obtener información más precisa.

\* Maximum initial battery voltage (measured without a workload) is 20 volts. Nominal voltage is 18.

\* La tension initiale maximum du bloc-piles (mesurée à vide) est de 20 volts. La tension nominale est de 18.

\* El máximo voltaje inicial de la batería (medido sin carga de trabajo) es 20 voltios. El voltaje nominal es de 18.



*If you have questions or comments, contact us.  
Pour toute question ou tout commentaire, nous contacter.  
Si tiene dudas o comentarios, contáctenos.*

**1-800-4-DEWALT • [www.dewalt.com](http://www.dewalt.com)**

**INSTRUCTION MANUAL  
GUIDE D'UTILISATION  
MANUAL DE INSTRUCCIONES**

INSTRUCTIVO DE OPERACIÓN, CENTROS DE SERVICIO Y PÓLIZA DE GARANTÍA. **ADVERTENCIA:** LÉASE ESTE INSTRUCTIVO ANTES DE USAR EL PRODUCTO.

**DEWALT®**

**DCS391, DCS393**

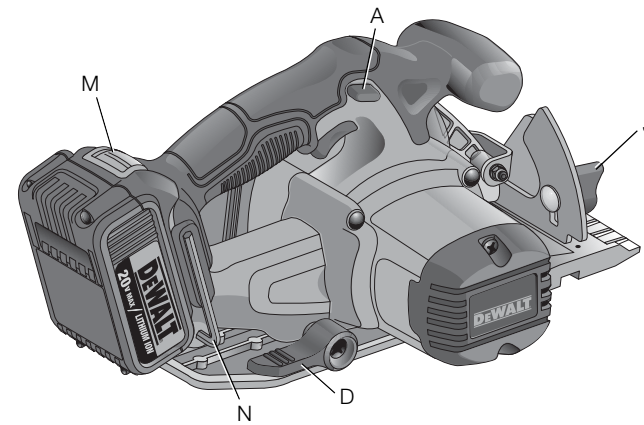
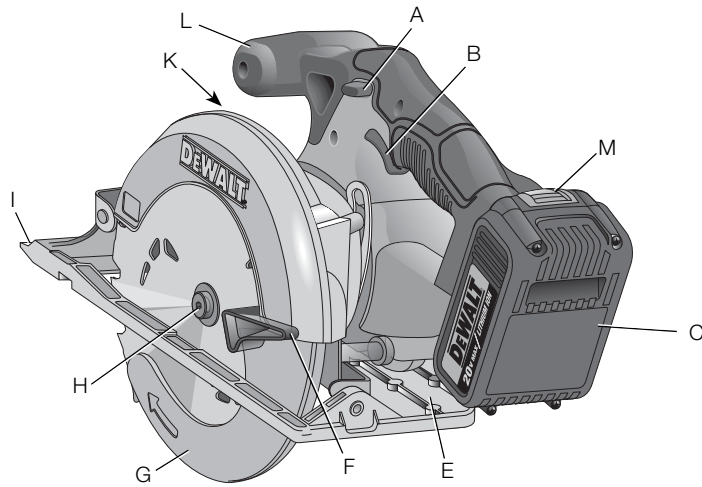
**20V Max\* 6-1/2" (165 mm) Cordless Circular Saw**

**Scie circulaire sans fil de 20 V max\* 165 mm**

**Sierra circular inalámbrica de 20 V Máx\* 165 mm**



DCS391, DCS393 20V Max\* 6-1/2" Cordless Circular Saw 3700 RPM



- |   |   |
|---|---|
| <ul style="list-style-type: none"> <li>A. TRIGGER SWITCH LOCK-OFF BUTTON</li> <li>B. TRIGGER SWITCH</li> <li>C. BATTERY PACK</li> <li>D. DEPTH ADJUSTMENT KNOB</li> <li>E. SHOE</li> <li>F. LOWER BLADE GUARD RETRACTING LEVER</li> <li>G. LOWER BLADE GUARD</li> </ul> | <ul style="list-style-type: none"> <li>H. BLADE CLAMPING SCREW</li> <li>I. KERF INDICATOR</li> <li>J. BEVEL ADJUSTMENT KNOB</li> <li>K. BLADE LOCK BUTTON (not shown)</li> <li>L. AUXILIARY HANDLE</li> <li>M. BATTERY RELEASE BUTTON</li> <li>N. BLADE WRENCH</li> </ul> |
|---|---|



### Definitions: Safety Guidelines

The definitions below describe the level of severity for each signal word. Please read the manual and pay attention to these symbols.

**⚠DANGER:** Indicates an imminently hazardous situation which, if not avoided, **will** result in **death or serious injury**.

**⚠WARNING:** Indicates a potentially hazardous situation which, if not avoided, **could** result in **death or serious injury**.

**⚠CAUTION:** Indicates a potentially hazardous situation which, if not avoided, **may** result in **minor or moderate injury**.

**NOTICE:** Indicates a practice **not related to personal injury** which, if not avoided, **may** result in **property damage**.

IF YOU HAVE ANY QUESTIONS OR COMMENTS ABOUT THIS OR ANY DEWALT TOOL, CALL US TOLL FREE AT: **1-800-4-DEWALT (1-800-433-9258)**.



**WARNING:** To reduce the risk of injury, read the instruction manual.

### General Power Tool Safety Warnings



**WARNING!** Read all safety warnings and all instructions. Failure to follow the warnings and instructions may result in electric shock, fire and/or serious injury.

### SAVE ALL WARNINGS AND INSTRUCTIONS FOR FUTURE REFERENCE

The term "power tool" in the warnings refers to your mains-operated (corded) power tool or battery-operated (cordless) power tool.

#### 1) WORK AREA SAFETY

- a) **Keep work area clean and well lit.** Cluttered or dark areas invite accidents.
- b) **Do not operate power tools in explosive atmospheres, such as in the presence of flammable liquids, gases or dust.** Power tools create sparks which may ignite the dust or fumes.
- c) **Keep children and bystanders away while operating a power tool.** Distractions can cause you to lose control.

#### 2) ELECTRICAL SAFETY

- a) **Power tool plugs must match the outlet. Never modify the plug in any way. Do not use any adapter plugs with earthed (grounded) power tools.** Unmodified plugs and matching outlets will reduce risk of electric shock.
- b) **Avoid body contact with earthed or grounded surfaces such as pipes, radiators, ranges and refrigerators.** There is an increased risk of electric shock if your body is earthed or grounded.
- c) **Do not expose power tools to rain or wet conditions.** Water entering a power tool will increase the risk of electric shock.
- d) **Do not abuse the cord. Never use the cord for carrying, pulling or unplugging the power tool. Keep cord away from heat, oil, sharp edges or moving parts.** Damaged or entangled cords increase the risk of electric shock.
- e) **When operating a power tool outdoors, use an extension cord suitable for outdoor use.** Use of a cord suitable for outdoor use reduces the risk of electric shock.
- f) **If operating a power tool in a damp location is unavoidable, use a ground fault circuit interrupter (GFCI) protected supply.** Use of a GFCI reduces the risk of electric shock.



### 3) PERSONAL SAFETY

- a) **Stay alert, watch what you are doing and use common sense when operating a power tool. Do not use a power tool while you are tired or under the influence of drugs, alcohol or medication.** A moment of inattention while operating power tools may result in serious personal injury.
- b) **Use personal protective equipment. Always wear eye protection.** Protective equipment such as dust mask, non-skid safety shoes, hard hat, or hearing protection used for appropriate conditions will reduce personal injuries.
- c) **Prevent unintentional starting. Ensure the switch is in the off position before connecting to power source and/or battery pack, picking up or carrying the tool.** Carrying power tools with your finger on the switch or energizing power tools that have the switch on invites accidents.
- d) **Remove any adjusting key or wrench before turning the power tool on.** A wrench or a key left attached to a rotating part of the power tool may result in personal injury.
- e) **Do not overreach. Keep proper footing and balance at all times.** This enables better control of the power tool in unexpected situations.
- f) **Dress properly. Do not wear loose clothing or jewelry. Keep your hair, clothing and gloves away from moving parts.** Loose clothes, jewelry or long hair can be caught in moving parts.
- g) **If devices are provided for the connection of dust extraction and collection facilities, ensure these are connected and properly used.** Use of dust collection can reduce dust-related hazards.

### 4) POWER TOOL USE AND CARE

- a) **Do not force the power tool. Use the correct power tool for your application.** The correct power tool will do the job better and safer at the rate for which it was designed.

- b) **Do not use the power tool if the switch does not turn it on and off.** Any power tool that cannot be controlled with the switch is dangerous and must be repaired.
  - c) **Disconnect the plug from the power source and/or the battery pack from the power tool before making any adjustments, changing accessories, or storing power tools.** Such preventive safety measures reduce the risk of starting the power tool accidentally.
  - d) **Store idle power tools out of the reach of children and do not allow persons unfamiliar with the power tool or these instructions to operate the power tool.** Power tools are dangerous in the hands of untrained users.
  - e) **Maintain power tools. Check for misalignment or binding of moving parts, breakage of parts and any other condition that may affect the power tool's operation. If damaged, have the power tool repaired before use.** Many accidents are caused by poorly maintained power tools.
  - f) **Keep cutting tools sharp and clean.** Properly maintained cutting tools with sharp cutting edges are less likely to bind and are easier to control.
  - g) **Use the power tool, accessories and tool bits, etc. in accordance with these instructions, taking into account the working conditions and the work to be performed.** Use of the power tool for operations different from those intended could result in a hazardous situation.
- ### 5) BATTERY TOOL USE AND CARE
- a) **Recharge only with the charger specified by the manufacturer.** A charger that is suitable for one type of battery pack may create a risk of fire when used with another battery pack.
  - b) **Use power tools only with specifically designated battery packs.** Use of any other battery packs may create a risk of injury and fire.



- c) **When battery pack is not in use, keep it away from other metal objects like paper clips, coins, keys, nails, screws, or other small metal objects that can make a connection from one terminal to another.** Shorting the battery terminals together may cause burns or a fire.
  - d) **Under abusive conditions, liquid may be ejected from the battery; avoid contact. If contact accidentally occurs, flush with water. If liquid contacts eyes, additionally seek medical help.** Liquid ejected from the battery may cause irritation or burns.
- 6) SERVICE
- a) **Have your power tool serviced by a qualified repair person using only identical replacement parts.** This will ensure that the safety of the power tool is maintained.

### Safety Instructions for All Saws

- a) **⚠DANGER: Keep hands away from cutting area and the blade. Keep your second hand on auxiliary handle, or motor housing.** If both hands are holding the saw, they cannot be cut by the blade.
- b) **Do not reach underneath the workpiece.** The guard cannot protect you from the blade below the workpiece.
- c) **Adjust the cutting depth to the thickness of the workpiece.** Less than a full tooth of the blade teeth should be visible below the workpiece.
- d) **Never hold piece being cut in your hands or across your leg. Secure the workpiece to a stable platform.** It is important to support the work properly to minimize body exposure, blade binding, or loss of control.
- e) **Hold power tool by insulated gripping surfaces when performing an operation where the cutting tool may contact hidden wiring.** Contact with a "live" wire will also make exposed metal parts of the power tool "live" and shock the operator.

- f) **When ripping always use a rip fence or straight edge guide.** This improves the accuracy of cut and reduces the chance of blade binding.
- g) **Always use blades with correct size and shape (diamond versus round) of arbor holes.** Blades that do not match the mounting hardware of the saw will run eccentrically, causing loss of control.
- h) **Never use damaged or incorrect blade washers or bolt.** The blade washers and bolt were specially designed for your saw, for optimum performance and safety of operation.

### Further Safety Instructions for All Saws

#### CAUSES AND OPERATOR PREVENTION OF KICKBACK:

- Kickback is a sudden reaction to a pinched, bound or misaligned saw blade, causing an uncontrolled saw to lift up and out of the workpiece toward the operator;
- When the blade is pinched or bound tightly by the kerf closing down, the blade stalls and the motor reaction drives the unit rapidly back toward the operator;
- If the blade becomes twisted or misaligned in the cut, the teeth at the back edge of the blade can dig into the top surface of the wood causing the blade to climb out of the kerf and jump back toward the operator.

Kickback is the result of saw misuse and/or incorrect operating procedures or conditions and can be avoided by taking proper precautions as given below:

- a) **Maintain a firm grip with both hands on the saw and position your arms to resist kickback forces. Position your body to either side of the blade, but not in line with the blade.** Kickback could cause the saw to jump backwards, but kickback forces can be controlled by the operator, if proper precautions are taken.



- b) **When blade is binding, or when interrupting a cut for any reason, release the trigger and hold the saw motionless in the material until the blade comes to a complete stop. Never attempt to remove the saw from the work or pull the saw backward while the blade is in motion or kickback may occur.** Investigate and take corrective actions to eliminate the cause of blade binding.
  - c) **When restarting a saw in the workpiece, center the saw blade in the kerf and check that saw teeth are not engaged into the material.** If saw blade is binding, it may walk up or kickback from the workpiece as the saw is restarted.
  - d) **Support large panels to minimize the risk of blade pinching and kickback.** Large panels tend to sag under their own weight. Supports must be placed under the panel on both sides, near the line of cut and near the edge of the panel.
  - e) **Do not use dull or damaged blades.** Unsharpened or improperly set blades produce narrow kerf causing excessive friction, blade binding and kickback.
  - f) **Blade depth and bevel adjusting locking levers must be tight and secure before making cut.** If blade adjustment shifts while cutting, it may cause binding and kickback.
  - g) **Use extra caution when making a “plunge cut” into existing walls or other blind areas.** The protruding blade may cut objects that can cause kickback.
- b) **Check the operation of the lower guard spring. If the guard and the spring are not operating properly, they must be serviced before use.** Lower guard may operate sluggishly due to damaged parts, gummy deposits, or a build-up of debris.
  - c) **Lower guard should be retracted manually only for special cuts such as “plunge cuts” and “compound cuts.” Raise lower guard by retracting handle and as soon as blade enters the material, the lower guard must be released.** For all other sawing, the lower guard should operate automatically.
  - d) **Always observe that the lower guard is covering the blade before placing saw down on bench or floor.** An unprotected, coasting blade will cause the saw to walk backwards, cutting whatever is in its path. Be aware of the time it takes for the blade to stop after switch is released.

### **Additional Specific Safety Instructions for Circular Saws**

**⚠WARNING: Do not use abrasive wheels or blades.**

**⚠WARNING: Do not use water feed attachments.**

- **Use clamps or another practical way to secure and support the workpiece to a stable platform.** Holding the work by hand or against your body leaves it unstable and may lead to loss of control.
- **Keep your body positioned to either side of the blade, but not in line with the saw blade.** KICKBACK could cause the saw to jump backwards (see **Causes and Operator Prevention of Kickback and KICKBACK**).
- **Air vents often cover moving parts and should be avoided.** Loose clothes, jewelry or long hair can be caught in moving parts.

### **LOWER GUARD SAFETY INSTRUCTIONS**

- a) **Check lower guard for proper closing before each use. Do not operate the saw if lower guard does not move freely and close instantly. Never clamp or tie the lower guard into the open position.** If saw is accidentally dropped, lower guard may be bent. Raise the lower guard with the retracting handle and make sure it moves freely and does not touch the blade or any other part, in all angles and depths of cut.



- **Avoid cutting nails.** Inspect for and remove all nails from lumber before cutting.

**⚠WARNING: ALWAYS USE SAFETY GLASSES.** Everyday eyeglasses are NOT safety glasses. Also use face or dust mask if cutting operation is dusty. ALWAYS wear certified safety equipment:

- ANSI Z87.1 eye protection (CAN/CSA Z94.3).
- ANSI S12.6 (S3.19) hearing protection.
- NIOSH/OSHA respiratory protection.

**⚠WARNING:** Some dust created by power sanding, sawing, grinding, drilling, and other construction activities contains chemicals known to the State of California to cause cancer, birth defects or other reproductive harm. Some examples of these chemicals are:

- lead from lead-based paints,
- crystalline silica from bricks and cement and other masonry products, and
- arsenic and chromium from chemically-treated lumber.

Your risk from these exposures varies, depending on how often you do this type of work. To reduce your exposure to these chemicals: work in a well ventilated area, and work with approved safety equipment, such as those dust masks that are specially designed to filter out microscopic particles.

- **Avoid prolonged contact with dust from power sanding, sawing, grinding, drilling, and other construction activities. Wear protective clothing and wash exposed areas with soap and water.** Allowing dust to get into your mouth, eyes, or lay on the skin may promote absorption of harmful chemicals.

**⚠WARNING:** Use of this tool can generate and/or disperse dust, which may cause serious and permanent respiratory or other injury. Always use NIOSH/OSHA approved respiratory protection appropriate for the dust exposure. Direct particles away from face

and body. Always operate tool in well-ventilated area and provide for proper dust removal. Use dust collection system wherever possible.

**⚠WARNING: ALWAYS wear proper personal hearing protection that conforms to ANSI S12.6 (S3.19) during use.** Under some conditions and duration of use, noise from this product may contribute to hearing loss.

**⚠WARNING: ALWAYS use eye protection.** All users and bystanders must wear eye protection that conforms to ANSI Z87.1.

**⚠CAUTION: When not in use, place circular saw on a stable surface, shoe side down, where it will not cause a tripping or falling hazard.** Some tools with large battery packs will stand upright on the battery pack but may be easily knocked over.

- The label on your tool may include the following symbols. The symbols and their definitions are as follows:

V..... volts	A..... amperes
Hz..... hertz	W..... watts
min ..... minutes	~ ..... alternating current
— — — ..... direct current	⋈ ..... alternating or direct current
Ⓛ ..... Class I Construction (grounded)	n <sub>o</sub> ..... no load speed
Ⓜ ..... Class II Construction (double insulated)	⊕ ..... earthing terminal
BPM..... beats per minute	⚠ ..... safety alert symbol
RPM..... revolutions per minute	.../min.... per minute
	IPM..... impacts per minute

### Important Safety Instructions for All Battery Packs

When ordering replacement battery packs, be sure to include the catalog number and voltage. Consult the chart at the end of this manual for compatibility of chargers and battery packs.



The battery pack is not fully charged out of the carton. Before using the battery pack and charger, read the safety instructions below and then follow charging procedures outlined.

### READ ALL INSTRUCTIONS

- **Do not charge or use the battery pack in explosive atmospheres, such as in the presence of flammable liquids, gases or dust.** Inserting or removing the battery pack from the charger may ignite the dust or fumes.
- **NEVER force the battery pack into the charger. Do not modify the battery pack in any way to fit into a non-compatible charger as battery pack may rupture causing serious personal injury.** Consult the chart at the end of this manual for compatibility of batteries and chargers.
- Charge the battery packs only in designated DEWALT chargers.
- **DO NOT** splash or immerse in water or other liquids.
- **Do not store or use the tool and battery pack in locations where the temperature may reach or exceed 105 °F (40 °C) (such as outside sheds or metal buildings in summer).** For best life store battery packs in a cool, dry location.

**NOTE: Do not store the battery packs in a tool with the trigger switch locked on. Never tape the trigger switch in the ON position.**

**⚠WARNING: Fire hazard.** Never attempt to open the battery pack for any reason. If the battery pack case is cracked or damaged, do not insert into the charger. Do not crush, drop or damage the battery pack. Do not use a battery pack or charger that has received a sharp blow, been dropped, run over or damaged in any way (e.g., pierced with a nail, hit with a hammer, stepped on). Damaged battery packs should be returned to the service center for recycling.

**⚠WARNING: Fire hazard. Do not store or carry the battery pack so that metal objects can contact exposed battery terminals.** For example, do not place the battery pack in aprons, pockets, tool boxes, product kit boxes, drawers, etc., with loose nails, screws, keys, etc. **Transporting batteries can possibly cause fires if the battery terminals inadvertently come in contact with conductive materials such as keys, coins, hand tools and the like.** The US Department of Transportation Hazardous Material Regulations (HMR) actually prohibit transporting batteries in commerce or on airplanes (e.g., packed in suitcases and carry-on luggage) UNLESS they are properly protected from short circuits. So when transporting individual battery packs, make sure that the battery terminals are protected and well insulated from materials that could contact them and cause a short circuit.

### SPECIFIC SAFETY INSTRUCTIONS FOR LITHIUM ION (Li-Ion)

- **Do not incinerate the battery pack even if it is severely damaged or is completely worn out.** The battery pack can explode in a fire. Toxic fumes and materials are created when lithium ion battery packs are burned.
- **If battery contents come into contact with the skin, immediately wash area with mild soap and water.** If battery liquid gets into the eye, rinse water over the open eye for 15 minutes or until irritation ceases. If medical attention is needed, the battery electrolyte is composed of a mixture of liquid organic carbonates and lithium salts.
- **Contents of opened battery cells may cause respiratory irritation.** Provide fresh air. If symptoms persist, seek medical attention.

**⚠WARNING: Burn hazard.** Battery liquid may be flammable if exposed to spark or flame.



## The RBRC™ Seal

The RBRC™ (Rechargeable Battery Recycling Corporation) Seal on the nickel cadmium, nickel metal hydride or lithium ion batteries (or battery packs) indicate that the costs to recycle these batteries (or battery packs) at the end of their useful life have already been paid by DEWALT. In some areas, it is illegal to place spent nickel cadmium, nickel metal hydride or lithium ion batteries in the trash or municipal solid waste stream and the RBRC program provides an environmentally conscious alternative.



RBRC™, in cooperation with DEWALT and other battery users, has established programs in the United States and Canada to facilitate the collection of spent nickel cadmium, nickel metal hydride or lithium ion batteries. Help protect our environment and conserve natural resources by returning the spent nickel cadmium, nickel metal hydride or lithium ion batteries to an authorized DEWALT service center or to your local retailer for recycling. You may also contact your local recycling center for information on where to drop off the spent battery. RBRC™ is a registered trademark of the *Rechargeable Battery Recycling Corporation*.

## Important Safety Instructions for All Battery Chargers

**SAVE THESE INSTRUCTIONS:** This manual contains important safety and operating instructions for battery chargers.

- Before using the charger, read all instructions and cautionary markings on the charger, battery pack and product using the battery pack.

**⚠WARNING:** Shock hazard. Do not allow any liquid to get inside the charger. Electric shock may result.

**⚠CAUTION:** Burn hazard. To reduce the risk of injury, charge only DEWALT rechargeable battery packs. Other types of batteries may overheat and burst resulting in personal injury and property damage.

**NOTICE:** Under certain conditions, with the charger plugged into the power supply, the charger can be shorted by foreign material. Foreign materials of a conductive nature, such as, but not limited to, grinding dust, metal chips, steel wool, aluminum foil or any buildup of metallic particles should be kept away from the charger cavities. Always unplug the charger from the power supply when there is no battery pack in the cavity. Unplug the charger before attempting to clean.

- **DO NOT attempt to charge the battery pack with any chargers other than the ones in this manual.** The charger and battery pack are specifically designed to work together.
- **These chargers are not intended for any uses other than charging DEWALT rechargeable batteries.** Any other uses may result in risk of fire, electric shock or electrocution.
- **Do not expose the charger to rain or snow.**
- **Pull by the plug rather than the cord when disconnecting the charger.** This will reduce the risk of damage to the electric plug and cord.
- **Make sure that the cord is located so that it will not be stepped on, tripped over or otherwise subjected to damage or stress.**
- **Do not use an extension cord unless it is absolutely necessary.** Use of improper extension cord could result in risk of fire, electric shock or electrocution.
- **When operating a charger outdoors, always provide a dry location and use an extension cord suitable for outdoor use.** Use of a cord suitable for outdoor use reduces the risk of electric shock.



- **An extension cord must have adequate wire size (AWG or American Wire Gauge) for safety.** The smaller the gauge number of the wire, the greater the capacity of the cable, that is, 16 gauge has more capacity than 18 gauge. An undersized cord will cause a drop in line voltage resulting in loss of power and overheating. When using more than one extension to make up the total length, be sure each individual extension contains at least the minimum wire size. The following table shows the correct size to use depending on cord length and nameplate ampere rating. If in doubt, use the next heavier gauge. The lower the gauge number, the heavier the cord.

Ampere Rating		Minimum Gauge for Cord Sets				
		Volts	Total Length of Cord in Feet (meters)			
		120V	25 (7.6)	50 (15.2)	100 (30.5)	150 (45.7)
		240V	50 (15.2)	100 (30.5)	200 (61.0)	300 (91.4)
More Than	Not More Than	AWG				
0	6		18	16	16	14
6	10		18	16	14	12
10	12		16	16	14	12
12	16		14	12	Not Recommended	

- **Do not place any object on top of the charger or place the charger on a soft surface that might block the ventilation slots and result in excessive internal heat.** Place the charger in a position away from any heat source. The charger is ventilated through slots in the top and the bottom of the housing.
- **Do not operate the charger with a damaged cord or plug.**
- **Do not operate the charger if it has received a sharp blow, been dropped or otherwise damaged in any way.** Take it to an authorized service center.

- **Do not disassemble the charger; take it to an authorized service center when service or repair is required.** Incorrect reassembly may result in a risk of electric shock, electrocution or fire.
- **Disconnect the charger from the outlet before attempting any cleaning. This will reduce the risk of electric shock.** Removing the battery pack will not reduce this risk.
- **NEVER attempt to connect 2 chargers together.**
- **The charger is designed to operate on standard 120V household electrical power. Do not attempt to use it on any other voltage.** This does not apply to the vehicular charger.

## Chargers

Your tool uses a DEWALT charger. Be sure to read all safety instructions before using your charger. Consult the chart at the end of this manual for compatibility of chargers and battery packs.






### Charging Procedure (Fig. 1)

1. Plug the charger into an appropriate outlet before inserting the battery pack.
2. Insert the battery pack (C) into the charger, as shown in Figure 1, making sure the pack is fully seated in charger. The red (charging) light will blink continuously, indicating that the charging process has started.
3. The completion of charge will be indicated by the red light remaining ON continuously. The pack is fully charged and may be used at this time or left in the charger.





## Indicator Light Operation

	<b>PACK CHARGING</b>	— — — — —
	<b>PACK CHARGED</b>	—————
	<b>HOT/COLD DELAY</b>	—• —• —• —• —•
	<b>PROBLEM PACK OR CHARGER</b>	••••••••••
	<b>PROBLEM POWERLINE</b>	•• •• •• •• ••

## Charge Indicators

This charger is designed to detect certain problems that can arise. Problems are indicated by the red light flashing at a fast rate. If this occurs, re-insert the battery pack into the charger. If the problem persists, try a different battery pack to determine if the charger is working properly. If the new pack charges correctly, then the original pack is defective and should be returned to a service center or other collection site for recycling. If the new battery pack elicits the same trouble indication as the original, have the charger and the battery pack tested at an authorized service center.

### HOT/COLD DELAY

This charger has a hot/cold delay feature: when the charger detects a battery that is hot, it automatically starts a delay, suspending charging until the battery has cooled. After the battery has cooled, the charger automatically switches to the pack charging mode. This feature ensures maximum battery life. The red light flashes long, then short while in the hot/cold delay mode.

## LEAVING THE BATTERY PACK IN THE CHARGER

The charger and battery pack can be left connected with the charge indicator showing Pack Charged.

**WEAK BATTERY PACKS:** Weak batteries will continue to function but should not be expected to perform as much work.

**FAULTY BATTERY PACKS:** This charger will not charge a faulty battery pack. The charger will indicate faulty battery pack by refusing to light or by displaying problem pack or charger.

**NOTE:** This could also mean a problem with a charger.

### PROBLEM POWER LINE

Some chargers have a problem powerline indicator. When the charger is used with some portable power sources such as generators or sources that convert DC to AC, the charger may temporarily suspend operation, flashing the red light with two fast blinks followed by a pause. This indicates the power source is out of limits.

## Important Charging Notes

1. Longest life and best performance can be obtained if the battery pack is charged when the air temperature is between 65 °F and 75 °F (18 °–24 °C). DO NOT charge the battery pack in an air temperature below +40 °F (+4.5 °C), or above +105 °F (+40.5 °C). This is important and will prevent serious damage to the battery pack.
2. The charger and battery pack may become warm to the touch while charging. This is a normal condition, and does not indicate a problem. To facilitate the cooling of the battery pack after use, avoid placing the charger or battery pack in a warm environment such as in a metal shed or an uninsulated trailer.



3. A cold battery pack will charge at about half the rate of a warm battery pack. The battery pack will charge at that slower rate throughout the entire charging cycle and will not return to maximum charge rate even if the battery pack warms.
4. If the battery pack does not charge properly:
  - a. Check operation of receptacle by plugging in a lamp or other appliance;
  - b. Check to see if receptacle is connected to a light switch which turns power off when you turn out the lights;
  - c. Move the charger and battery pack to a location where the surrounding air temperature is approximately 65 °F–75 °F (18 °–24 °C);
  - d. If charging problems persist, take the tool, battery pack and charger to your local service center.
5. The battery pack should be recharged when it fails to produce sufficient power on jobs which were easily done previously. DO NOT CONTINUE to use under these conditions. Follow the charging procedure. You may also charge a partially used pack whenever you desire with no adverse effect on the battery pack.
6. Foreign materials of a conductive nature such as, but not limited to, grinding dust, metal chips, steel wool, aluminum foil, or any buildup of metallic particles should be kept away from charger cavities. Always unplug the charger from the power supply when there is no battery pack in the cavity. Unplug the charger before attempting to clean.
7. Do not freeze or immerse the charger in water or any other liquid.

**⚠ WARNING:** Shock hazard. Don't allow any liquid to get inside the charger. Electric shock may result.

**⚠ WARNING:** Burn hazard. Do not submerge the battery pack in any liquid or allow any liquid to enter the battery pack. Never attempt to open the battery pack for any reason. If the plastic housing of the battery pack breaks or cracks, return to a service center for recycling.

### **Storage Recommendations**

1. The best storage place is one that is cool and dry, away from direct sunlight and excess heat or cold.
2. For long storage, it is recommended to store a fully charged battery pack in a cool dry place out of the charger for optimal results.

**NOTE:** Battery packs should not be stored completely depleted of charge. The battery pack will need to be recharged before use.

### **SAVE THESE INSTRUCTIONS FOR FUTURE USE**

### **COMPONENTS**

**⚠ WARNING:** Never modify the power tool or any part of it. Damage or personal injury could result.

Please refer to the front of this section for the list of components.

### **INTENDED USE**

This heavy-duty circular saw is designed for professional wood cutting applications.

**DO NOT** use under wet conditions or in presence of flammable liquids or gases.

**DO NOT** let children come into contact with the tool. Supervision is required when inexperienced operators use this tool.

### **OPERATION**

**⚠ WARNING:** To reduce the risk of serious personal injury, turn tool off and disconnect tool from power source before making any adjustments or removing/installing attachments or accessories. An accidental start-up can cause injury.



## Installing and Removing the Battery Pack (Fig. 2)

**NOTE:** For best results, make sure your battery pack is fully charged.

To install the battery pack (C) into the tool handle, align the battery pack with the rails inside the tool's handle and slide it into the handle until the battery pack is firmly seated in the tool and ensure that it does not disengage.

To remove the battery pack from the tool, press the release button (M) and firmly pull the battery pack out of the tool handle. Insert it into the charger as described in the charger section of this manual.

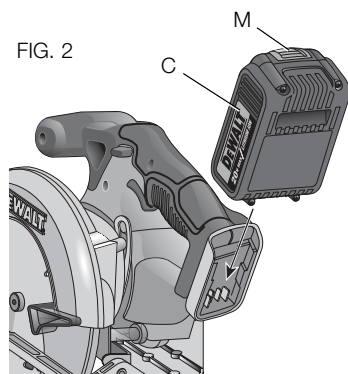
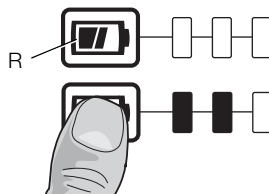


FIG. 2

FIG. 2A



### FUEL GAUGE BATTERY PACKS (FIG. 2A)

Some DEWALT battery packs include a fuel gauge which consists of three green LED lights that indicate the level of charge remaining in the battery pack.

To actuate the fuel gauge, press and hold the fuel gauge button (R).

A combination of the three green LED lights will illuminate designating the level of charge left. When the level of charge in the battery is below the usable limit, the fuel gauge will not illuminate and the battery will need to be recharged.

**NOTE:** The fuel gauge is only an indication of the charge left on the battery pack. It does not indicate tool functionality and is subject to variation based on product components, temperature and end-user application.

For more information regarding fuel gauge battery packs, please call 1-800-4-DEWALT (1-800-433-9258) or visit our website [www.dewalt.com](http://www.dewalt.com).

## Trigger Switch (Fig. 3)

**⚠WARNING:** This tool has no provision to lock the trigger switch in the ON position and should never be locked ON by any other means.

Release the trigger switch lock-off button (A) by pressing the button as shown. Pull the trigger switch (B) to turn the motor on. Releasing the trigger switch turns the motor off.

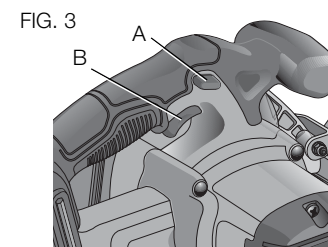


FIG. 3

## Changing Blades (Fig. 4, 5)

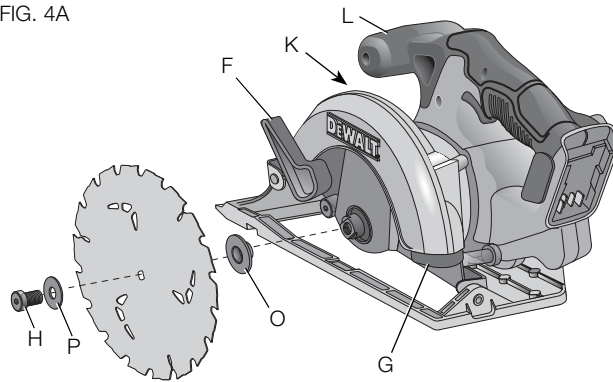
### TO INSTALL THE BLADE (FIG. 4, 5)

1. Place inner clamp washer (O) on saw spindle with the large flat surface facing out toward the blade (Fig. 4A, 4B).
2. Retract the lower blade guard (G) and place blade on saw spindle against the inner clamp washer, making sure that the blade will rotate in the proper direction (the direction of the rotation arrow on the saw blade and the teeth must point in the same



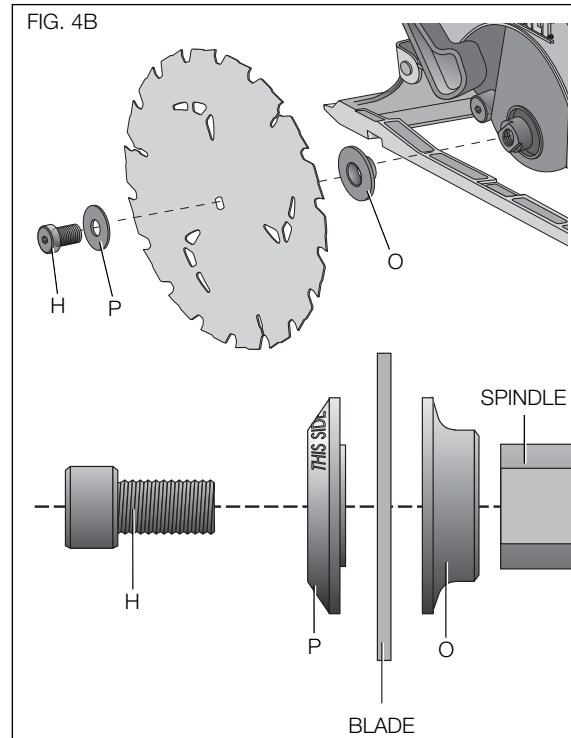
direction as the direction of rotation arrow on the lower blade guard). Do not assume that the printing on the blade will always be facing you when properly installed. When retracting the lower blade guard to install the blade, check the condition and operation of the lower blade guard to assure that it is working properly. Make sure it moves freely and does not touch the blade or any other part, in all angles and depths of cut.

FIG. 4A



3. Place outer clamp washer (P) on saw spindle with the large flat surface against the blade with beveled side facing out.
4. Thread blade clamping screw (H) into saw spindle by hand (screw has left-hand threads and must be turned counterclockwise to tighten).
5. Depress the blade lock button (K) while turning the saw spindle with the blade wrench (N) until the blade lock engages and the blade stops rotating (Fig. 5).
6. Tighten the blade clamping screw firmly with the blade wrench.

**NOTE:** Never engage the blade lock while saw is running, or engage in an effort to stop the tool. Never turn the saw on while the blade lock is engaged. Serious damage to your saw will result.

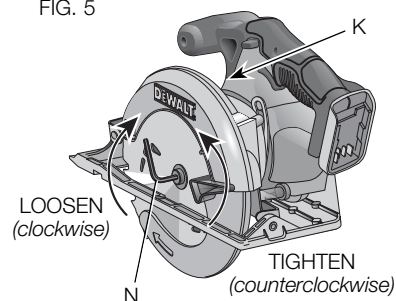




### TO REPLACE THE BLADE (FIG. 4, 5)

1. To loosen the blade clamping screw (H), depress the blade lock button (K) and turn the saw spindle with the blade wrench (N) until the blade lock engages and the blade stops rotating. With the blade lock engaged, turn the blade clamping screw clockwise with the blade wrench (screw has left-hand threads and must be turned clockwise to loosen).

FIG. 5



2. Remove the blade clamping screw (H) and outer clamp washer (P) only. Remove old blade.
3. Clean any sawdust that may have accumulated in the guard or clamp washer area and check the condition and operation of the lower blade guard as previously outlined. Do not lubricate this area.
4. Select the proper blade for the application (see **Blades**). Always use blades that are the correct size (diameter) with the proper size and shape center hole for mounting on the saw spindle. Always assure that the maximum recommended speed (rpm) on the saw blade meets or exceeds the speed (rpm) of the saw.
5. Follow steps 2 through 6 under **To Install the Blade**, making sure that the blade will rotate in the proper direction.

### LOWER BLADE GUARD

**⚠WARNING:** *The lower blade guard is a safety feature which reduces the risk of serious personal injury. Never use the saw if the lower blade guard is missing, damaged, misassembled or not working properly. Do not rely on the lower blade guard to protect you under all circumstances. Your safety depends on following all warnings and precautions as well as proper operation of the saw. Check lower blade guard for proper closing before each use as outlined in Further Safety Instructions for All Saws. If the lower blade guard is missing or not working properly, have the saw serviced before using. To assure product safety and reliability, repair, maintenance and adjustment should be performed by an authorized service center or other qualified service organization, always using identical replacement parts.*

### Blades

**⚠WARNING:** *To minimize the risk of eye injury, always use eye protection. Carbide is a hard but brittle material. Foreign objects in the workpiece such as wire or nails can cause tips to crack or break. Only operate saw when proper saw blade guard is in place. Mount blade securely in proper rotation before using, and always use a clean, sharp blade.*

**⚠WARNING:** *Do not cut ferrous metals (steel), masonry, glass, masonry-type planking, cement board or tile with this saw. Do not use abrasive wheels or blades. A dull blade will cause slow inefficient cutting, overload on the saw motor, excessive splintering, and could increase the possibility of kickback. Please refer to the table below to determine the correct size replacement blade for your model saw.*



<i>Blade</i>	<i>Diameter</i>	<i>Teeth</i>	<i>Application</i>
DW9155	6-1/2" (165 mm)	18	General purpose cutting
DW9154	6-1/2" (165 mm)	24	Smooth wood cutting
DW9153	6-1/2" (165 mm)	90	Non-carbide, plywood/ vinyl siding cutting

If you need assistance regarding blades, please call 1-800-4-DEWALT (1-800-433-9258).

### **KICKBACK**

Kickback is a sudden reaction to a pinched, bound or misaligned saw blade, causing an uncontrolled saw to lift up and out of the workpiece toward the operator. When the blade is pinched or bound tightly by the kerf closing down, the blade stalls and the motor reaction drives the unit rapidly back toward the operator. If the blade becomes twisted or misaligned in the cut, the teeth at the back edge of the blade can dig into the top surface of the wood causing the blade to climb out of the kerf and jump back toward the operator.

Kickback is more likely to occur when any of the following conditions exists.

#### **1. IMPROPER WORKPIECE SUPPORT**

- A. Sagging or improper lifting of the cut off piece can cause pinching of the blade and lead to kickback (Fig. 12).
- B. Cutting through material supported at the outer ends only can cause kickback. As the material weakens it sags, closing down the kerf and pinching the blade (Fig. 12).
- C. Cutting off a cantilevered or overhanging piece of material from the bottom up in a vertical direction can cause kickback. The falling cut off piece can pinch the blade.
- D. Cutting off long narrow strips (as in ripping) can cause kickback. The cut off strip can sag or twist closing the kerf and pinching the blade.

- E. Snagging the lower guard on a surface below the material being cut momentarily reduces operator control. The saw can lift partially out of the cut increasing the chance of blade twist.

#### **2. IMPROPER DEPTH OF CUT SETTING ON SAW**

To make the most efficient cut, the blade should protrude only far enough to expose one-half of a tooth as shown in Figure 7. This allows the shoe to support the blade and minimizes twisting and pinching in the material. See the section titled **Cutting Depth Adjustment**.

#### **3. BLADE TWISTING (MISALIGNMENT IN CUT)**

- A. Pushing harder to cut through a knot, a nail, or a hard grain area can cause the blade to twist.
- B. Trying to turn the saw in the cut (trying to get back on the marked line) can cause blade twist.
- C. Overreaching or operating the saw with poor body control (out of balance), can result in twisting the blade.
- D. Changing hand grip or body position while cutting can result in blade twist.
- E. Backing up the saw to clear blade can lead to twist.

#### **4. MATERIALS THAT REQUIRE EXTRA ATTENTION**

- A. Wet lumber
- B. Green lumber (material freshly cut or not kiln dried)
- C. Pressure treated lumber (material treated with preservatives or anti-rot chemicals)

#### **5. USE OF DULL OR DIRTY BLADES**

Dull blades cause increased loading of the saw. To compensate, an operator will usually push harder which further loads the unit and promotes twisting of the blade in the kerf. Worn blades may also have insufficient body clearance which increases the chance of binding and increased loading.



## 6. LIFTING THE SAW WHEN MAKING A BEVEL CUT

Bevel cuts require special operator attention to proper cutting techniques – especially guidance of the saw. Both blade angle to the shoe and greater blade surface in the material increase the chance for binding and misalignment (twist) to occur.

## 7. RESTARTING A CUT WITH THE BLADE TEETH JAMMED AGAINST THE MATERIAL

The saw should be brought up to full operating speed before starting a cut or restarting a cut after the unit has been stopped with the blade in the kerf. Failure to do so can cause stalling and kickback.

Any other conditions which could result in pinching, binding, twisting, or misalignment of the blade could cause kickback. Refer to the sections **Further Safety Instructions for All Saws** and **Blades** for procedures and techniques that will minimize the occurrence of kickback.

## Cutting Depth Adjustment (Fig. 6, 7)

1. Hold the saw firmly and loosen (clockwise) the depth adjustment knob (D) and move shoe to obtain the desired depth of cut.
2. Make sure the depth adjustment knob has been retightened (counterclockwise) before operating saw.

FIG. 6

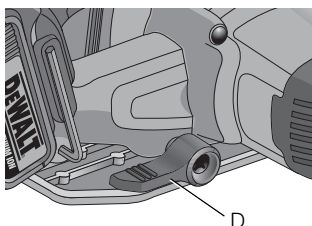
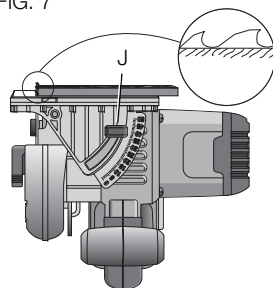


FIG. 7



For the most efficient cutting action, set the depth adjustment so that one-half tooth of the blade will project below the material to be cut. This distance is from the tip of the tooth to the bottom of the gullet in front of it. This keeps blade friction at a minimum, removes sawdust from the cut, results in cooler, faster sawing and reduces the chance of kickback. A method for checking for correct cutting depth is shown in Figure 7. Lay a piece of the material you plan to cut along the side of the blade, as shown, and observe how much tooth projects beyond the material.

## Bevel Angle Adjustment (Fig. 7)

The full range of the bevel adjustment is from 0° to 50°. The quadrant is graduated in increments of 1°. On the front of the saw is a bevel angle adjustment mechanism consisting of a calibrated quadrant and a bevel adjustment knob (J).

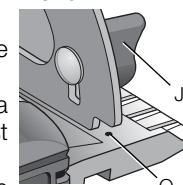
## TO SET THE SAW FOR A BEVEL CUT

1. Loosen (counterclockwise) the bevel adjustment knob (J) and tilt shoe to the desired angle by aligning the pointer with the desired angle mark.
2. Retighten knob firmly (clockwise).

## Shoe Adjustment for 90° Cuts (Fig. 8)

### IF ADDITIONAL ADJUSTMENT IS NEEDED: FIG. 8

1. Adjust the saw to 0° bevel.
2. Retract the lower blade guard. Place the saw on blade side.
3. Loosen bevel adjustment knob (J). Place a square against the blade and shoe to adjust the 90° setting.
4. Turn the calibration screw (Q) so that the shoe will stop at the proper angle.

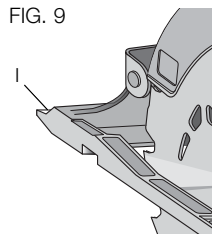




5. Confirm the accuracy of the setting by checking the squareness of an actual cut on a scrap piece of material.

### **Kerf Indicator (Fig. 9)**

The front of the saw shoe has a kerf indicator (I) for vertical and bevel cutting. This indicator enables you to guide the saw along cutting lines penciled on the material being cut. The kerf indicator lines up with the left (outer) side of the saw blade, which makes the slot or “kerf” cut by the moving blade fall to the right of the indicator. Guide along the penciled cutting line so that the kerf falls into the waste or surplus material.



### **Workpiece Support (Fig. 10–12)**

**⚠ WARNING:** It is important to support the work properly and to hold the saw firmly to prevent loss of control which could cause personal injury. Figure 10 illustrates proper hand support of the saw. Maintain a firm grip with both hands on the saw and position your body and arm to allow you to resist kickback if it occurs. ALWAYS TURN OFF TOOL AND REMOVE BATTERY BEFORE MAKING ANY ADJUSTMENTS!

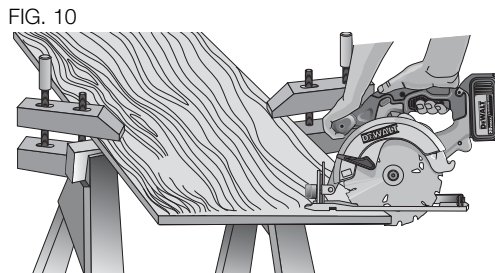


Figure 10 shows proper sawing position. Note that hands are kept away from cutting area. **To avoid kickback**, DO support board or panel NEAR the cut (Fig. 11). DON'T support board or panel away from the cut (Fig. 12).

Place the work with its “good” side – the one on which appearance is most important – down. The saw cuts upward, so any splintering will be on the work face that is up when you cut it.

FIG. 11 DO support board or panel NEAR the cut.

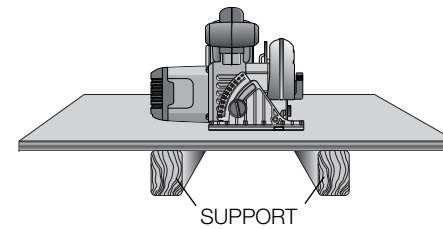
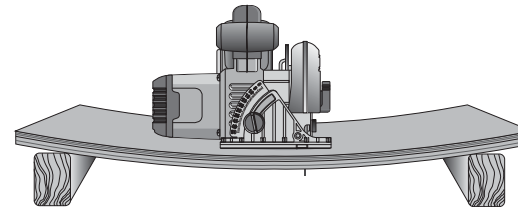


FIG. 12 DON'T support board or panel AWAY from the cut.





### Cutting (Fig. 10)

Place the wider portion of the saw shoe on that part of the workpiece which is solidly supported, not on the section that will fall off when the cut is made. As an example, Figure 10 illustrates the RIGHT way to cut off the end of a board. Always clamp work. Don't try to hold short pieces by hand! Remember to support cantilevered and overhanging material. Use caution when sawing material from below.

Be sure saw is up to full speed before blade contacts material to be cut. Starting saw with blade against material to be cut or pushed forward into kerf can result in kickback. Push the saw forward at a speed which allows the blade to cut without laboring.

Hardness and toughness can vary even in the same piece of material, and knotty or damp sections can put a heavy load on the saw. When this happens, push the saw more slowly, but hard enough to keep working without much decrease in speed. Forcing the saw can cause rough cuts, inaccuracy, kickback, and over-heating of the motor.

Should your cut begin to go off the line, don't try to force it back on. Release the trigger switch and allow blade to come to a complete stop. Then you can withdraw the saw, sight anew, and start a new cut slightly inside the wrong one. Withdraw the saw if you must shift the cut. Forcing a correction inside the cut can stall the saw and lead to kickback.

IF SAW STALLS, RELEASE THE TRIGGER SWITCH AND BACK THE SAW UNTIL IT IS LOOSE. BE SURE BLADE IS STRAIGHT IN THE CUT AND CLEAR OF THE CUTTING EDGE BEFORE RESTARTING.

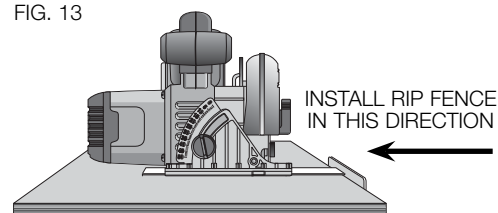
As you finish a cut, release the trigger switch and allow the blade to stop before lifting the saw from the work. As you lift the saw, the spring-tensioned lower blade guard will automatically close under the blade. Remember the blade is exposed until this occurs. Never reach under the work for any reason. When you have to retract the lower blade guard manually (as is necessary for starting pocket cuts), always use the retracting lever.

**▲WARNING:** When cutting thin strips, be careful to ensure that small cutoff pieces don't hang up on the inside of the lower blade guard.

### RIPPING (FIG. 13)

Ripping is the process of cutting wider boards into narrower strips – cutting grain lengthwise. Hand guiding is more difficult for this type of sawing and the use of a DEWALT rip fence is recommended.

FIG. 13



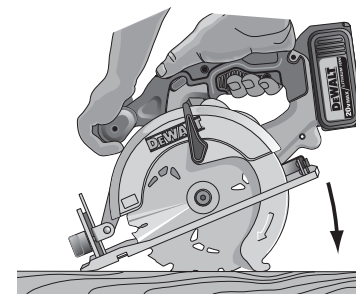
### POCKET CUTTING (FIG. 14)

**▲WARNING:** Never tie the lower blade guard in a raised position. Never move the saw backwards when pocket cutting. This may cause the saw to raise up off the work surface, which could cause injury.

A pocket cut is one that is made in a floor, wall or other flat surface.

1. Adjust the saw shoe so the blade cuts at desired depth.

FIG. 14





2. Tilt the saw forward and rest front of the shoe on material to be cut.
3. Using the lower blade guard retracting lever, retract the lower blade guard to an upward position. Lower the rear of the shoe until the blade teeth almost touch the cutting line.
4. Release the lower blade guard (its contact with the work will keep it in position to open freely as you start the cut). Remove your hand from the lower blade guard retracting lever and firmly grip the auxiliary handle, as shown in Figure 14. Position your body and arm to allow you to resist kickback if it occurs.
5. Make sure blade is not in contact with cutting surface before starting saw.
6. Start the motor and gradually lower the saw until its shoe rests flat on the material to be cut. Advance saw along the cutting line until cut is completed.
7. Release the trigger switch and allow the blade to stop completely before withdrawing the blade from the material.
8. When starting each new cut, repeat the above steps.

## **MAINTENANCE**

**⚠WARNING:** *To reduce the risk of serious personal injury, turn tool off and disconnect tool from power source before making any adjustments or removing/installing attachments or accessories. An accidental start-up can cause injury.*

### **Cleaning**

**⚠WARNING:** *Blow dirt and dust out of all air vents with clean, dry air at least once a week. To minimize the risk of eye injury, always wear ANSI Z87.1 approved eye protection when performing this.*

**⚠WARNING:** *Never use solvents or other harsh chemicals for cleaning the non-metallic parts of the tool. These chemicals may weaken the plastic materials used in these parts. Use a cloth dampened only with water and mild soap. Never let any liquid get inside the tool; never immerse any part of the tool into a liquid.*

## **CHARGER CLEANING INSTRUCTIONS**

**⚠WARNING:** *Shock hazard. Disconnect the charger from the AC outlet before cleaning. Dirt and grease may be removed from the exterior of the charger using a cloth or soft non-metallic brush. Do not use water or any cleaning solutions.*

### **Lubrication**

Self lubricating ball and roller bearings are used in the tool and relubrication is not required. However, it is recommended that, once a year, you take or send the tool to a certified service center for a thorough cleaning, inspection, and lubrication of the gear case.

### **Accessories**

**⚠WARNING:** *Since accessories, other than those offered by DEWALT, have not been tested with this product, use of such accessories with this tool could be hazardous. To reduce the risk of injury, only DEWALT recommended accessories should be used with this product.*

Recommended accessories for use with your tool are available at extra cost from your local service center. If you need any assistance in locating any accessory, please contact DEWALT Industrial Tool Co., 701 East Joppa Road, Baltimore, MD 21286, call 1-800-4-DEWALT (1-800-433-9258) or visit our website: [www.dewalt.com](http://www.dewalt.com).

### **Repairs**

The charger and battery pack are not serviceable. There are no serviceable parts inside the charger or battery pack.

To assure product SAFETY and RELIABILITY, repairs, maintenance and adjustments (including brush inspection and replacement) should be performed by a DEWALT factory service center, a DEWALT authorized service center or other qualified service personnel. Always use identical replacement parts.



### Three Year Limited Warranty

DeWALT will repair, without charge, any defects due to faulty materials or workmanship for three years from the date of purchase. This warranty does not cover part failure due to normal wear or tool abuse. For further detail of warranty coverage and warranty repair information, visit [www.dewalt.com](http://www.dewalt.com) or call 1-800-4-DeWALT (1-800-433-9258). This warranty does not apply to accessories or damage caused where repairs have been made or attempted by others. This warranty gives you specific legal rights and you may have other rights which vary in certain states or provinces.

In addition to the warranty, DeWALT tools are covered by our:

#### 1 YEAR FREE SERVICE

DeWALT will maintain the tool and replace worn parts caused by normal use, for free, any time during the first year after purchase.

#### 2 YEARS FREE SERVICE ON DeWALT BATTERY PACKS

DC9071, DC9091, DC9096, DC9280, DC9360, DC9180, DCB120 and DCB201

#### 3 YEARS FREE SERVICE ON DeWALT BATTERY PACKS

DCB200

#### DeWALT BATTERY PACKS

Product warranty voided if the battery pack is tampered with in any way. DeWALT is not responsible for any injury caused by tampering and may prosecute warranty fraud to the fullest extent permitted by law.

#### 90 DAY MONEY BACK GUARANTEE

If you are not completely satisfied with the performance of your DeWALT Power Tool, Laser, or Nailer for any reason, you can return it within 90 days from the date of purchase with a receipt for a full refund – no questions asked.

**LATIN AMERICA:** This warranty does not apply to products sold in Latin America. For products sold in Latin America, see country specific warranty information contained in the packaging, call the local company or see website for warranty information.

#### FREE WARNING LABEL REPLACEMENT:

If your warning labels become illegible or are missing, call 1-800-4-DeWALT (1-800-433-9258) for a free replacement.

**DCSXXX** 6 1/2" (165mm) CORDLESS CIRCULAR SAW

SER. [REDACTED]

---

**⚠ DANGER/PELIGRO** KEEP HANDS AND BODY AWAY FROM AND TO THE SIDE OF THE BLADE. CONTACT WITH BLADE WILL RESULT IN SERIOUS INJURY. MANTENGA LAS MANOS Y EL CUERPO ALEJADOS DE LA HOJA Y A UN LADO DE LA MISMA. EL CONTACTO CON LA HOJA PROVOCA LESIONES GRAVES. TENIR LES MAINS ET TOUTE AUTRE PARTIE DU CORPS ÉLOIGNÉES DE LA LAME ET SUR LE CÔTÉ DE CELLE-CI. TOUT CONTACT AVEC LA LAME RISQUE DE CAUSER DE GRAVES BLESSURES.

**⚠ WARNING/ADVERTENCIA/AVERTISSEMENT**

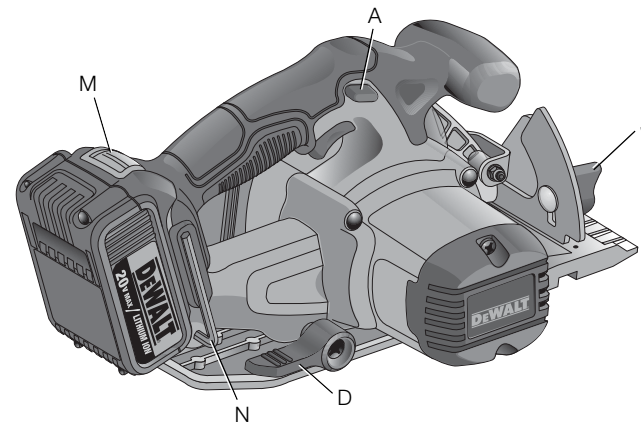
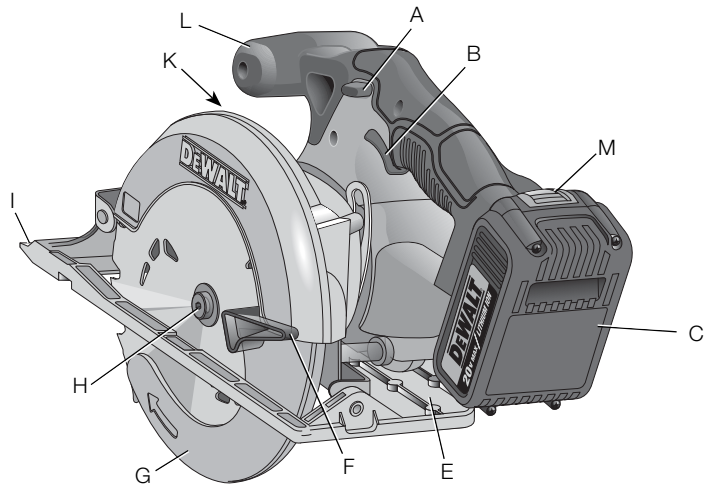
TO REDUCE THE RISK OF INJURY, USER MUST READ INSTRUCTION MANUAL. CHECK GUARDING SYSTEM. IT MUST COVER BLADE INSTANTLY! HOLD SAW WITH BOTH HANDS. SUPPORT AND CLAMP WORK. WEAR EYE PROTECTION. ALWAYS USE PROPER RESPIRATORY PROTECTION. USE WITH DEWALT BATTERY. REMOVE BATTERY PACK WHEN CHANGING BLADES OR MAKING ADJUSTMENTS. PARA DISMINUIR EL RIESGO DE LESIONES, EL USUARIO DEBERÁ LEER EL MANUAL DE INSTRUCCIONES. INSPECCIONE LA GUARDA INFERIOR. LA GUARDA DEBE DE CERRAR INSTANTANEAMENTE. SOSTENGA LA SIERRA CON AMBAS MANOS. QUITTE EL PAQUETE DE LA BATERIA AL CAMBIAR LAS LAMINAS O HACIENDO AJUSTES.

À TITRE PRÉVENTIF, LIRE LE GUIDE. VÉRIFIER LE PROTECTEUR INFÉRIEUR. CE DERNIER DOIT SE REFERMER INSTANTANÉMENT. TENIR LA SCIE DES DEUX MAINS. SOUTENIR ET FIXER LA PIÈCE À OUVRIR. ENLEVEZ LE PAQUET DE BATTERIE EN CHANGEANT DES LAMES OU EN FAISANT DES AJUSTEMENTS.

DeWALT INDUSTRIAL TOOL CO., BALTIMORE, MD 21286 USA  
FOR SERVICE INFORMATION CALL: 1-800-4-DeWALT www.DeWALT.com



Scies circulaires sans fil de 20 V max\* et 3 700 tr/min, modèles DCS391, DCS393



- A. BOUTON DE VERROUILLAGE DE LA GÂCHETTE
- B. INTERRUPTEUR À GÂCHETTE
- C. BLOC-PILES
- D. BOUTON DE RÉGLAGE DE LA PROFONDEUR
- E. PATIN
- F. LEVIER RÉTRACTANT DU PROTÈGE-LAME INFÉRIEUR
- G. PROTÈGE-LAME INFÉRIEUR

- H. VIS DE FIXATION DE LA LAME
- I. INDICATEUR DE TRAIT DE SCIE
- J. BOUTON DE RÉGLAGE D'ANGLE DE BISEAU
- K. BOUTON DE VERROUILLAGE DE LA LAME (non illustré)
- L. POIGNÉE AUXILIAIRE
- M. BOUTON DE LIBÉRATION DU BLOC-PILES
- N. CLÉ POUR LAME



### **Définitions : lignes directrices en matière de sécurité**

Les définitions ci-dessous décrivent le niveau de danger pour chaque mot-indicateur employé. Lire le mode d'emploi et porter une attention particulière à ces symboles.

**⚠DANGER** : indique une situation dangereuse imminente qui, si elle n'est pas évitée, **entraînera la mort ou des blessures graves**.

**⚠AVERTISSEMENT** : indique une situation potentiellement dangereuse qui, si elle n'est pas évitée, **pourrait entraîner la mort ou des blessures graves**.

**⚠ATTENTION** : indique une situation potentiellement dangereuse qui, si elle n'est pas évitée, **pourrait entraîner des blessures légères ou modérées**.

**AVIS** : indique une pratique ne posant **aucun risque de dommages corporels** mais qui par contre, si rien n'est fait pour l'éviter, **pourrait poser des risques de dommages matériels**.

POUR TOUTE QUESTION OU REMARQUE AU SUJET DE CET OUTIL OU DE TOUT AUTRE OUTIL DEWALT, COMPOSEZ LE NUMÉRO SANS FRAIS : **1 800 433-9258 (1 800 4-DEWALT)**.



**AVERTISSEMENT** : afin de réduire le risque de blessures, lire le mode d'emploi de l'outil.

### **Avertissements de sécurité généraux pour les outils électriques**

**⚠ AVERTISSEMENT!** Lire toutes les directives et toutes les consignes de sécurité. Tout manquement aux directives et consignes pose des risques de décharge électrique, d'incendie et/ou de blessure grave.

### **CONSERVER TOUS LES AVERTISSEMENTS ET TOUTES LES DIRECTIVES POUR UN USAGE ULTÉRIEUR**

Le terme « outil électrique » cité dans les avertissements se rapporte à votre outil électrique à alimentation sur secteur (avec fil) ou par piles (sans fil).

#### **1) SÉCURITÉ DU LIEU DE TRAVAIL**

- a) **Tenir l'aire de travail propre et bien éclairée.** Les lieux encombrés ou sombres sont propices aux accidents.
- b) **Ne pas faire fonctionner d'outils électriques dans un milieu déflagrant, tel qu'en présence de liquides, de gaz ou de poussières inflammables.** Les outils électriques produisent des étincelles qui pourraient enflammer la poussière ou les vapeurs.
- c) **Éloigner les enfants et les personnes à proximité pendant l'utilisation d'un outil électrique.** Une distraction pourrait en faire perdre la maîtrise à l'utilisateur.

#### **2) SÉCURITÉ EN MATIÈRE D'ÉLECTRICITÉ**

- a) **Les fiches des outils électriques doivent correspondre à la prise. Ne jamais modifier la fiche d'aucune façon. Ne jamais utiliser de fiche d'adaptation avec un outil électrique mis à la terre.** Le risque de choc électrique sera réduit par l'utilisation de fiches non modifiées correspondant à la prise.

- b) **Éviter tout contact physique avec des surfaces mises à la terre comme des tuyaux, des radiateurs, des cuisinières et des réfrigérateurs.** Le risque de choc électrique est plus élevé si votre corps est mis à la terre.
- c) **Ne pas exposer les outils électriques à la pluie ou à l'humidité.** La pénétration de l'eau dans un outil électrique augmente le risque de choc électrique.
- d) **Ne pas utiliser le cordon de façon abusive. Ne jamais utiliser le cordon pour transporter, tirer ou débrancher un outil électrique. Tenir le cordon éloigné de la chaleur, de l'huile, des bords tranchants et des pièces mobiles.** Les cordons endommagés ou enchevêtrés augmentent les risques de choc électrique.
- e) **Pour l'utilisation d'un outil électrique à l'extérieur, se servir d'une rallonge convenant à cette application.** L'utilisation d'une rallonge conçue pour l'extérieur réduira les risques de choc électrique.
- f) **S'il est impossible d'éviter l'utilisation d'un outil électrique dans un endroit humide, brancher l'outil dans une prise ou sur un circuit d'alimentation dotés d'un disjoncteur de fuite à la terre (GFCI).** L'utilisation de ce type de disjoncteur réduit les risques de choc électrique.

### 3) SÉCURITÉ PERSONNELLE

- a) **Être vigilant, surveiller le travail effectué et faire preuve de jugement lorsqu'un outil électrique est utilisé. Ne pas utiliser d'outil électrique en cas de fatigue ou sous l'influence de drogues, d'alcool ou de médicaments.** Un simple moment d'inattention en utilisant un outil électrique peut entraîner des blessures corporelles graves.
- b) **Utiliser des équipements de protection individuelle. Toujours porter une protection oculaire.** L'utilisation d'équipements de protection comme un masque antipoussière,

des chaussures antidérapantes, un casque de sécurité ou des protecteurs auditifs lorsque la situation le requiert réduira les risques de blessures corporelles.

- c) **Empêcher les démarrages intempestifs. S'assurer que l'interrupteur se trouve à la position d'arrêt avant de relier l'outil à une source d'alimentation et/ou d'insérer un bloc-piles, de ramasser ou de transporter l'outil.** Transporter un outil électrique alors que le doigt repose sur l'interrupteur ou brancher un outil électrique dont l'interrupteur est à la position de marche risque de provoquer un accident.
  - d) **Retirer toute clé de réglage ou clé avant de démarrer l'outil.** Une clé ou une clé de réglage attachée à une partie pivotante de l'outil électrique peut provoquer des blessures corporelles.
  - e) **Ne pas trop tendre les bras. Conserver son équilibre en tout temps.** Cela permet de mieux maîtriser l'outil électrique dans les situations imprévues.
  - f) **S'habiller de manière appropriée. Ne pas porter de vêtements amples ni de bijoux. Garder les cheveux, les vêtements et les gants à l'écart des pièces mobiles.** Les vêtements amples, les bijoux ou les cheveux longs risquent de rester coincés dans les pièces mobiles.
  - g) **Si des composants sont fournis pour le raccordement de dispositifs de dépoussiérage et de ramassage, s'assurer que ceux-ci sont bien raccordés et utilisés.** L'utilisation d'un dispositif de dépoussiérage peut réduire les dangers engendrés par les poussières.
- ### 4) UTILISATION ET ENTRETIEN D'UN OUTIL ÉLECTRIQUE
- a) **Ne pas forcer un outil électrique. Utiliser l'outil électrique approprié à l'application.** L'outil électrique approprié effectuera un meilleur travail, de façon plus sûre et à la vitesse pour laquelle il a été conçu.



- b) **Ne pas utiliser un outil électrique dont l'interrupteur est défectueux.** Tout outil électrique dont l'interrupteur est défectueux est dangereux et doit être réparé.
- c) **Débrancher la fiche de la source d'alimentation et/ou du bloc-piles de l'outil électrique avant de faire tout réglage ou changement d'accessoire ou avant de ranger l'outil.** Ces mesures préventives réduisent les risques de démarrage accidentel de l'outil électrique.
- d) **Ranger les outils électriques hors de la portée des enfants et ne permettre à aucune personne n'étant pas familière avec un outil électrique ou son mode d'emploi d'utiliser cet outil.** Les outils électriques deviennent dangereux entre les mains d'utilisateurs inexpérimentés.
- e) **Entretien des outils électriques. Vérifier si les pièces mobiles sont mal alignées ou coincées, si des pièces sont brisées ou présentent toute autre condition susceptible de nuire au bon fonctionnement de l'outil électrique. En cas de dommage, faire réparer l'outil électrique avant toute nouvelle utilisation.** Beaucoup d'accidents sont causés par des outils électriques mal entretenus.
- f) **S'assurer que les outils de coupe sont aiguisés et propres.** Les outils de coupe bien entretenus et affûtés sont moins susceptibles de se coincer et sont plus faciles à maîtriser.
- g) **Utiliser l'outil électrique, les accessoires, les forets, etc. conformément aux présentes directives en tenant compte des conditions de travail et du travail à effectuer.** L'utilisation d'un outil électrique pour toute opération autre que celle pour laquelle il a été conçu est dangereuse.
- 5) UTILISATION ET ENTRETIEN DU BLOC-PILES**
- a) **Ne recharger l'outil qu'au moyen du chargeur précisé par le fabricant.** L'utilisation d'un chargeur qui convient à un type de bloc-piles risque de provoquer un incendie s'il est utilisé avec un autre type de bloc-piles.
- b) **Utiliser les outils électriques uniquement avec les blocs-piles conçus à cet effet.** L'utilisation de tout autre bloc-piles risque de causer des blessures ou un incendie.
- c) **Lorsque le bloc-piles n'est pas utilisé, le tenir éloigné des objets métalliques, notamment des trombones, de la monnaie, des clés, des clous, des vis ou autres petits objets métalliques qui peuvent établir une connexion entre les deux bornes.** Le court-circuit des bornes du bloc-piles risque de provoquer des brûlures ou un incendie.
- d) **En cas d'utilisation abusive, le liquide peut gicler hors du bloc-piles; éviter tout contact avec ce liquide. Si un contact accidentel se produit, laver à grande eau. Si le liquide entre en contact avec les yeux, obtenir également des soins médicaux.** Le liquide qui gicle hors du bloc-piles peut provoquer des irritations ou des brûlures.
- 6) RÉPARATION**
- a) **Faire réparer l'outil électrique par un réparateur professionnel en n'utilisant que des pièces de rechange identiques.** Cela permettra de maintenir une utilisation sécuritaire de l'outil électrique.
- Consignes de sécurité propres à toutes les scies**
- a) **⚠DANGER : éloigner les mains des zones et organes de coupe. Maintenir la deuxième main sur la poignée auxiliaire ou le boîtier du moteur.** Lorsque les deux mains maintiennent la scie, la lame ne peut les couper.
- b) **N'essayez pas de tenir le dessous de l'ouvrage.** Le protège-lame ne peut pas vous protéger de la lame en dessous de l'ouvrage.

- c) **Ajustez la profondeur de coupe à l'épaisseur de l'ouvrage.** Moins d'une dent entière de lame devrait être visible en dessous de l'ouvrage.
- d) **Ne tenez jamais dans vos mains ou sur vos genoux un ouvrage qui est en cours de coupe. Fixez votre ouvrage sur une plateforme stable.** Il est important de soutenir correctement l'ouvrage afin de minimiser l'exposition du corps à la lame, le risque de coincement de la lame ou la perte de contrôle de l'outil.
- e) **Tenez l'outil électrique par ses surfaces de préhension isolantes quand vous réalisez une opération au cours de laquelle l'outil de coupe pourrait entrer en contact avec des câbles dissimulés.** Le contact avec un fil sous tension mettra également sous tension toutes les pièces métalliques exposées et donnera un choc électrique à l'utilisateur de l'outil.
- f) **Pendant les coupes de refente, utilisez toujours un guide de refente ou un guide à bord droit.** Ceci augmente toujours l'exactitude de la coupe et diminue la possibilité de coincement de la lame.
- g) **Utilisez toujours des lames dont l'alésage central est de la taille et de la forme appropriées (soit en forme de diamant, soit en forme de rond).** Les lames qui ne correspondent pas aux pièces de montage de la scie tourneront de façon excentrique, ce qui causera une perte de contrôle de l'outil.
- h) **Ne vous servez jamais de rondelles ou de boulons de lames qui sont endommagés ou inappropriés.** Les rondelles et le boulon de lame ont été conçus spécifiquement pour votre scie dans le but d'assurer une performance optimale et un fonctionnement sans danger.

## **Consignes additionnelles de sécurité propres à toutes les scies**

### **CAUSES DES REBONDS ET MÉTHODES DE PRÉVENTION POUVANT ÊTRE UTILISÉES PAR L'UTILISATEUR :**

- Le rebond est une réaction subite (causée par une lame de scie pincée, coincée ou mal alignée) qui peut entraîner le soulèvement d'une scie non contrôlée, sa sortie de l'ouvrage et sa projection en direction de l'utilisateur.
- Si la lame est pincée ou coincée fortement pendant l'abaissement de la scie, la lame se cale et le moteur réagit en entraînant rapidement l'outil vers l'arrière dans la direction de l'opérateur.
- Si la lame se tord ou perd son alignement correct au cours de la coupe, les dents sur le bord arrière de la lame peuvent entamer la surface supérieure du bois, forçant ainsi la lame à sortir du trait de scie et à « sauter » vers l'arrière en direction de l'opérateur.

Le rebond est la conséquence d'une mauvaise utilisation de la scie et/ou de procédures ou de conditions incorrectes, et il peut être évité en prenant les précautions qui sont décrites ci-dessous :

- a) **Maintenez fermement la scie avec vos deux mains et positionnez vos bras de façon à résister aux forces de rebond.** Les forces de rebond peuvent être contrôlées par l'utilisateur quand les précautions appropriées sont prises.
- b) **En cas de coincement de la lame ou d'interruption d'une coupe pour une raison quelconque, relâchez la gâchette et tenez la scie immobile dans l'ouvrage jusqu'à ce que la lame se soit immobilisée complètement. Ne tentez jamais de retirer la scie de l'ouvrage ou de la tirer vers l'arrière pendant que la lame est en mouvement, car un rebond risquerait de se produire.** Évaluez la situation et prenez les mesures correctives nécessaires pour éliminer la cause du coincement de la lame.



- c) **Lorsque vous remettez une scie en marche quand l'ouvrage est présent, centrez la lame de scie dans le trait de scie et vérifiez que les dents de la lame ne sont pas engagées dans le matériau de l'ouvrage.** Si la lame de scie se coince, elle peut grimper hors de l'ouvrage ou rebondir sur celui-ci quand la scie est remise en marche.
- d) **Soutenez les panneaux de grande taille de façon à minimiser le risque de pincement et de rebond de la lame.** Les panneaux de grande taille ont tendance à s'affaisser sous leur propre poids. Des supports doivent être placés des deux côtés sous le panneau, à proximité de la ligne de coupe et à proximité du rebord du panneau.
- e) **N'utilisez pas de lame émoussée ou endommagée.** Des lames non aiguisées ou mal installées produisent un trait de scie étroit qui cause une friction excessive, le coincement de la lame et un effet de rebond.
- f) **Les leviers de réglage de la profondeur et de l'angle de coupe de la lame doivent être bien serrés et assujettis avant de réaliser une coupe.** Une modification du réglage de la lame pendant la coupe risque d'entraîner un coincement et un rebondissement de la lame.
- g) **Procédez avec une prudence supplémentaire quand vous réalisez une « coupe en plongée » dans des murs déjà en place ou dans des pièces sans issue.** La lame saillante peut couper des objets, et ceci peut entraîner un rebond.

#### CONSIGNES DE SÉCURITÉ RELATIVES AU PROTÈGE-LAME INFÉRIEUR

- a) **Inspectez le protège-lame inférieur avant chaque utilisation pour vous assurer qu'il se ferme correctement.** Ne faites pas fonctionner la scie si le protège-lame inférieur ne se déplace pas librement et ne se ferme pas instantanément. Ne forcez jamais le protège-lame inférieur dans la position ouverte à l'aide d'un collier de serrage ou d'une attache. Il

est possible que le protège-lame inférieur se torde en cas de chute accidentelle de la scie. Soulevez le protège-lame inférieur à l'aide de la poignée rétractable et assurez-vous qu'il se déplace sans problème et qu'il ne touche pas la lame ou une autre pièce, quel que soit l'angle ou la profondeur de la coupe.

- b) **Vérifiez le fonctionnement du ressort du protège-lame inférieur. Si le protège-lame inférieur et le ressort ne fonctionnent pas correctement, ils doivent être réparés avant l'emploi.** Le protège-lame inférieur peut parfois mal fonctionner à cause de pièces endommagées, d'accumulation de résine ou de débris.
- c) **Le protège-lame inférieur doit être rétracté à la main uniquement à l'occasion de coupes spéciales telles que les « coupes en plongée » ou les « coupes composées ».** Soulevez le protège-lame inférieur à l'aide la poignée rétractable et relâchez-le dès que la lame pénètre dans le matériau de l'ouvrage. Pour toute autre opération de sciage, le protège-lame inférieur doit fonctionner automatiquement.
- d) **Vérifiez toujours que le protège-lame inférieur couvre la lame avant de placer la scie sur un banc ou sur le sol.** Une lame non protégée qui tourne librement entraînera le mouvement de la scie en marche arrière, ce qui provoquera la coupe de tout ce qui se trouve sur sa trajectoire. Soyez conscient du temps nécessaire à la lame pour s'arrêter une fois que la gâchette est relâchée.

#### Consignes spécifiques additionnelles de sécurité propres aux scies circulaires

⚠ **AVERTISSEMENT : ne pas utiliser de meules ou de lames abrasives.**

⚠ **AVERTISSEMENT : ne pas utiliser des dispositifs d'alimentation en eau.**

- **Utilisez des serres de fixation ou un autre dispositif de fixation permettant de soutenir et de retenir la pièce sur une plate-forme stable.** Tenir la pièce avec la main ou contre son corps n'est pas suffisamment stable et risque de provoquer une perte de maîtrise de l'outil.
- **Se placer à gauche ou à droite de la lame de scie et non dans sa trajectoire.** L'EFFET DE REBOND risque de faire rebondir la scie vers l'arrière (consulter les rubriques **Causes des rebonds et méthodes de prévention pouvant être utilisées par l'utilisateur** et **REBOND**).
- **Prendre des précautions à proximité des événements car ils cachent des pièces mobiles.** Vêtements amples, bijoux ou cheveux longs risquent de rester coincés dans ces pièces mobiles.
- **Éviter de couper des clous.** Examiner la pièce à découper pour s'assurer qu'elle ne renferme aucun clou avant les travaux. Le cas échéant, les retirer.

**⚠ AVERTISSEMENT : TOUJOURS PORTER DES LUNETTES DE SÉCURITÉ.** Les lunettes de vue ne constituent PAS des lunettes de sécurité. Utiliser également un masque facial ou anti-poussière si l'opération de découpe génère de la poussière. TOUJOURS UTILISER DE L'ÉQUIPEMENT DE PROTECTION HOMOLOGUÉ :

- protection oculaire conforme à la norme ANSI Z87.1 (CAN/CSA Z94.3),
- protection auditive conforme à la norme ANSI S12.6 (S3.19) et
- protection des voies respiratoires conformes aux normes NIOSH/OSHA.

**⚠ AVERTISSEMENT :** les scies, meules, ponceuses, perceuses ou autres outils de construction peuvent produire des poussières contenant des produits chimiques reconnus par l'État californien pour causer cancers, malformations congénitales ou être nocifs au système reproducteur. Parmi ces produits chimiques, on retrouve :

- Le plomb dans les peintures à base de plomb;

- La silice cristallisée dans les briques et le ciment, ou autres produits de maçonnerie; et
- L'arsenic et le chrome dans le bois ayant subi un traitement chimique.

Le risque associé à ces expositions varie selon la fréquence de ces types de travaux. Pour réduire l'exposition aux produits chimiques : travailler dans un local bien ventilé et utiliser du matériel de sécurité approuvé, comme les masques antipoussières spécialement conçus pour filtrer les particules microscopiques.

- **Éviter le contact prolongé avec la poussière provenant du ponçage, du sciage, du meulage et du forage mécanique ainsi que d'autres activités de construction. Porter des vêtements de protection et laver les parties exposées au savon et à l'eau.** La poussière qui pourrait pénétrer dans la bouche et les yeux ou se déposer sur la peau peut favoriser l'absorption de produits chimiques nocifs.

**⚠ AVERTISSEMENT :** cet outil peut produire et répandre de la poussière susceptible de causer des dommages sérieux et permanents au système respiratoire. Toujours utiliser un appareil respiratoire anti-poussières approuvé par le NIOSH ou l'OSHA. Diriger les particules dans le sens opposé du visage et du corps.

**⚠ AVERTISSEMENT : TOUJOURS porter une protection auditive appropriée conformément à la norme ANSI S12.6 (S3.19) lors de l'utilisation du produit.** Dans certaines conditions et selon la durée d'utilisation, le bruit émis par ce produit peut contribuer à une perte auditive.

**⚠ AVERTISSEMENT : toujours porter des lunettes de sécurité.** L'utilisateur et toute autre personne se trouvant à proximité de la zone de coupe doit porter des lunettes de sécurité conformes à la norme ANSI Z87.1.

**⚠ ATTENTION : lorsque l'outil n'est pas utilisé, placez la scie circulaire sur une surface stable, semelle de chaussure vers le bas, de manière à ne faire trébucher ou tomber personne.**



Certains outils présentant un gros bloc-piles reposeront sur ce dernier, à la verticale, mais risque d'être facilement renversés.

- L'étiquette apposée sur votre outil peut comprendre les symboles suivants. Les symboles et leurs définitions sont indiqués ci-après :
 

V.....volts	A.....ampères
Hz.....hertz	W.....watts
min .....minutes	~ .....courant alternatif
== .....courant continu	⋈ .....courant alternatif ou continu
⚠ ..... Construction de Classe I (mis à la terre)	n <sub>0</sub> .....vitesse à vide
□ ..... Construction de Classe II (à double isolation)	⊕ .....borne de terre
BPM.....coups par minute	⚠ .....symbole d'alerte à la sécurité
.../min ....par minute	RPM....rotations ou alternance par minute
IPM.....impacts par minute	

### Consignes de sécurité importantes propres à tous les blocs-piles

Pour commander un bloc-piles de recharge, s'assurer d'inclure son numéro de catalogue et sa tension. Consulter le tableau en dernière page de ce manuel pour connaître les compatibilités entre chargeurs et blocs-piles.

Le bloc-piles n'est pas totalement chargé d'usine. Avant d'utiliser le bloc-piles et le chargeur, lire les consignes de sécurité ci-dessous. Puis suivre la procédure de charge indiquée.

### LIRE TOUTES LES CONSIGNES

- **Ne pas recharger ou utiliser un bloc-piles en milieu déflagrant, en présence, par exemple, de poussières, gaz ou liquides inflammables.** Le fait d'insérer ou retirer un bloc-piles de son chargeur pourrait causer l'inflammation de poussières ou d'émanations.
- **NE JAMAIS forcer l'insertion d'un bloc-piles dans un chargeur. NE modifier un bloc-piles d'AUCUNE façon pour le faire rentrer dans un chargeur incompatible, car il pourrait se briser et causer des dommages corporels graves.** Consulter le tableau en dernière page de ce manuel pour connaître les compatibilités entre chargeurs et blocs-piles.
- Recharger les blocs-piles exclusivement dans des chargeurs DEWALT.
- **NE PAS** éclabousser le bloc-piles ou l'immerger dans l'eau ou dans tout autre liquide.
- **Ne pas entreposer ou utiliser l'appareil et le bloc-piles en présence de températures ambiantes pouvant excéder 40 °C (105 °F) (comme dans des hangars ou des bâtiments métalliques l'été).** Pour préserver leur durée de vie, entreposer les blocs-piles dans un endroit frais et sec.
 

**REMARQUE : ne pas mettre un bloc-piles dans un outil dont la gâchette est verrouillée en position de marche. Ne jamais bloquer l'interrupteur en position de MARCHÉ.**

**⚠AVERTISSEMENT :** risques d'incendie. Ne jamais tenter d'ouvrir le bloc-piles pour quelque raison que ce soit. Si le boîtier du bloc-piles est fissuré ou endommagé, ne pas l'insérer dans un chargeur. Ne pas écraser, laisser tomber, ou endommager les blocs-piles. Ne pas utiliser un bloc-piles ou un chargeur qui a reçu un choc violent, ou si l'appareil est tombé, a été écrasé ou endommagé de quelque façon que ce soit (p. ex. percé par un clou, frappé d'un coup de marteau, piétiné). Les blocs-piles endommagés doivent être renvoyés à un centre de réparation pour y être recyclés.

**⚠️ AVERTISSEMENT : risques d'incendie.** Au moment de ranger ou transporter le bloc-piles, s'assurer qu'aucun objet métallique n'entre en contact avec les bornes à découvert du bloc-piles.

Par exemple, éviter de placer un bloc-piles dans un tablier, une poche, une boîte à outils ou un tiroir, etc. contenant des objets tels que des clous, des vis, des clés, etc. **Le fait de transporter des bloc-piles comporte des risques d'incendie, car les bornes des piles pourraient entrer, par inadvertance, en contact avec des objets conducteurs, tels que : clés, pièces de monnaie, outils ou autres.** La réglementation sur les produits dangereux (Hazardous Material Regulations) du département américain des transports interdit, en fait, le transport des piles pour le commerce ou dans les avions (ex : dans les bagages enregistrés ou à main) À MOINS qu'elles ne soient correctement protégées contre tout court-circuit. Aussi lors du transport individuel de blocs-piles, s'assurer que leurs bornes sont bien protégées et isolées de tout matériau pouvant entrer en contact avec elles et provoquer un court-circuit.

#### CONSIGNES DE SÉCURITÉ PROPRES AUX PILES AU LITHIUM-ION (Li-Ion)

- **Ne pas incinérer le bloc-piles même s'il est sévèrement endommagé ou complètement usagé,** car il pourrait exploser et causer un incendie. Pendant l'incinération des blocs-piles au lithium-ion, des vapeurs et matières toxiques sont dégagées.
- **En cas de contact du liquide de la pile avec la peau, rincer immédiatement au savon doux et à l'eau.** En cas de contact oculaire, rincer l'œil ouvert à l'eau claire une quinzaine de minutes ou jusqu'à ce que l'irritation cesse. Si des soins médicaux s'avéraient nécessaires, noter que l'électrolyte de la pile est composé d'un mélange de carbonates organiques liquides et de sels de lithium.

- **Le contenu des cellules d'une pile ouverte peut causer une irritation respiratoire.** En cas d'inhalation, exposer l'individu à l'air libre. Si les symptômes persistent, consulter un médecin.

**⚠️ AVERTISSEMENT : risques de brûlure.** Le liquide de la pile peut s'enflammer s'il est exposé à des étincelles ou à une flamme.

#### Le sceau SRPRC<sup>MC</sup>

Le sceau SRPRC<sup>MC</sup> (Société de recyclage des piles rechargeables au Canada) apposé sur une pile au nickel-cadmium, à hydrure métallique de nickel ou au lithium-ion (ou un bloc-piles) indique que les coûts de recyclage de ces derniers en fin d'utilisation ont déjà été réglés par DEWALT. Dans certaines régions, la mise au rebut ou aux ordures municipales des piles au nickel-cadmium, à l'hydrure métallique de nickel ou au lithium-ion, est illégale ; le programme de SRPRC constitue donc une solution pratique et écologique.

La SRPRC<sup>MC</sup>, en collaboration avec DEWALT et d'autres utilisateurs de piles, a mis sur pied des programmes aux États-Unis et au Canada pour faciliter la collecte des piles au nickel-cadmium, à l'hydrure métallique de nickel ou au lithium-ion usagées. Aidez-nous à protéger l'environnement et à conserver nos ressources naturelles en renvoyant les piles au nickel-cadmium, à l'hydrure métallique de nickel ou au lithium-ion usagées à un centre de réparation autorisé DEWALT ou chez votre détaillant afin qu'elles y soient recyclées. On peut en outre se renseigner auprès d'un centre de recyclage local pour connaître d'autres sites les acceptant.

SRPRC<sup>MC</sup> est une marque déposée de la Société de recyclage des piles rechargeables au Canada.





## **Directives de sécurité importantes propres à tous les chargeurs de piles**

**CONSERVER CES INSTRUCTIONS** : ce manuel contient des directives de sécurité et d'utilisation importantes propres aux chargeurs de piles.

- Avant d'utiliser le chargeur, lire toute consigne et tout avertissement apposés sur le chargeur, le bloc-piles et le produit utilisant le bloc-piles.

**⚠AVERTISSEMENT** : risques de chocs électriques. Ne laisser aucun liquide pénétrer dans le chargeur, des chocs électriques pourraient en résulter.

**⚠ATTENTION** : risques de brûlure. Pour réduire tout risque de dommages corporels, ne recharger que des blocs-piles rechargeables DEWALT. Tout autre type de piles pourrait exploser et causer des dommages corporels et matériels.

**AVIS** : sous certaines conditions, lorsque le chargeur est connecté au bloc d'alimentation, des matériaux étrangers pourraient court-circuiter le chargeur. Les corps étrangers conducteurs tels que (mais pas limité à) poussières de rectification, débris métalliques, laine d'acier, feuilles d'aluminium, ou toute accumulation de particules métalliques doivent être maintenus à distance des orifices du chargeur. Débrancher systématiquement le chargeur lorsque le bloc-piles n'y est pas inséré. Débrancher systématiquement le chargeur avant tout entretien.

- **NE PAS tenter de charger de bloc-piles avec des chargeurs autres que ceux décrits dans ce manuel.** Le chargeur et son bloc-piles ont été conçus tout spécialement pour fonctionner ensemble.
- **Ces chargeurs n'ont pas été conçus pour une utilisation autre que recharger les blocs-piles rechargeables DEWALT.** Toute autre utilisation comporte des risques d'incendie, de chocs électriques ou d'électrocution.

- **Protéger le chargeur de la pluie ou de la neige.**
- **Tirer sur la fiche plutôt que sur le cordon pour débrancher le chargeur.** Cela permet de réduire les risques d'endommager la fiche ou le cordon d'alimentation.
- **S'assurer que le cordon est protégé de manière à ce que personne ne marche ni ne trébuche dessus, ou à ce qu'il ne soit ni endommagé ni soumis à aucune tension.**
- **N'utiliser une rallonge qu'en cas de nécessité absolue.** L'utilisation d'une rallonge inadéquate comporte des risques d'incendie, de chocs électriques ou d'électrocution.
- **Pour utiliser un chargeur à l'extérieur, le placer dans un endroit sec et utiliser une rallonge conçue pour l'extérieur.** L'utilisation d'une rallonge conçue pour l'extérieur réduit les risques de chocs électriques.
- **Pour la sécurité de l'utilisateur, utiliser une rallonge de calibre adéquat (AWG, American Wire Gauge [calibrage américain normalisé des fils électriques]).** Plus le calibre est petit, et plus sa capacité est grande. Un calibre 16, par exemple, a une capacité supérieure à un calibre 18. L'usage d'une rallonge de calibre insuffisant causera une chute de tension qui entraînera perte de puissance et surchauffe. Si plus d'une rallonge est utilisée pour obtenir une certaine longueur, s'assurer que chaque rallonge présente au moins le calibre de fil minimum. Le tableau ci-dessous illustre les calibres à utiliser selon la longueur de rallonge et l'intensité nominale indiquée sur la plaque signalétique. En cas de doute, utiliser le calibre suivant. Plus le calibre est petit, plus la rallonge peut supporter de courant.

Calibres minimaux des rallonges						
Intensité (en ampères)		volts	Longueur totale de cordon en mètres (pieds)			
			120V	7,6 (25)	15,2 (50)	30,5 (100)
		240V	15,2 (50)	30,5 (100)	61,0 (200)	91,4 (300)
Supérieur à	Inférieur à	AWG				
0	6		18	16	16	14
6	10		18	16	14	12
10	12		16	16	14	12
12	16		14	12	Non recommandé	

- **Ne poser aucun objet sur le chargeur. Ne pas mettre le chargeur sur une surface molle qui pourrait en bloquer la ventilation et provoquer une surchauffe interne.** Eloigner le chargeur de toute source de chaleur. Le chargeur dispose d'orifices d'aération sur le dessus et le dessous du boîtier.
- **Ne pas le faire fonctionner avec un cordon d'alimentation ou une fiche endommagée.**
- **Ne pas utiliser le chargeur s'il a reçu un coup, fait une chute ou a été endommagé de quelque façon que ce soit.** Le ramener dans un centre de réparation agréé.
- **Ne pas démonter le chargeur. Pour tout service ou réparation, le rapporter dans un centre de réparation agréé.** Le fait de le réassembler de façon incorrecte comporte des risques de chocs électriques, d'électrocution et d'incendie.
- **Débrancher le chargeur du secteur avant tout entretien. Cela réduira tout risque de chocs électriques.** Le fait de retirer le bloc-piles ne réduira pas ces risques.

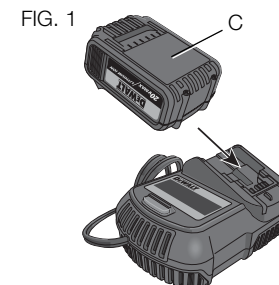
- **NE JAMAIS tenter de connecter 2 chargeurs ensemble.**
- **Le chargeur a été conçu pour être alimenté en courant électrique domestique standard de 120 volts. Ne pas tenter de l'utiliser avec toute autre tension.** Cela ne s'applique pas aux chargeurs de postes mobiles.

### Chargeurs

L'outil utilise un chargeur DEWALT. S'assurer de bien lire toutes les directives de sécurité avant d'utiliser le chargeur. Consulter le tableau figurant à la fin du présent mode d'emploi pour connaître la compatibilité des chargeurs et des blocs-piles.

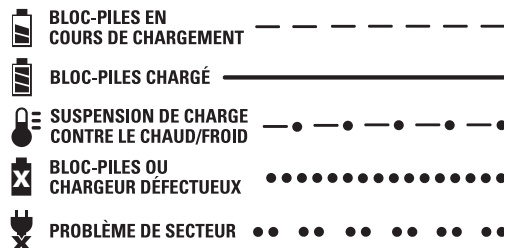
### Procédure de charge (fig. 1)

1. Branchez le chargeur dans la prise appropriée avant d'y insérer le bloc-piles.
2. Insérez le bloc-piles (C) dans le chargeur, comme illustré en figure 1, en vous assurant qu'il y est correctement calé. Le voyant rouge (charge) clignotera de façon continue indiquant que le cycle de chargement a commencé.
3. En fin de charge, le voyant rouge restera ALLUMÉ de façon continue. Le bloc-piles est alors complètement chargé et peut être utilisé ou laissé dans le chargeur.





## Fonctionnement du voyant



## Voyants de charge

Ce chargeur a été conçu pour détecter les problèmes pouvant survenir. Un voyant rouge clignotant rapidement indique qu'il y a un problème. Dans cette éventualité, réinsérez le bloc-piles dans le chargeur. Si le problème persiste, essayez un autre bloc-piles pour déterminer si le chargeur fonctionne. Si le nouveau bloc-piles se recharge correctement, le bloc-piles initial est endommagé et doit être retourné dans un centre de réparation ou tout autre site de récupération pour y être recyclé. Si l'on obtient le même résultat avec le nouveau bloc-piles, faites vérifier le chargeur et le bloc-piles chez un centre de réparation agréé.

### FONCTION DE SUSPENSION DE CHARGE CONTRE LE CHAUD/FROID

Ce chargeur est équipé d'une fonction de suspension de charge contre le chaud/froid. Lorsque le chargeur détecte un bloc-piles chaud, il démarre automatiquement la fonction de suspension de charge contre le chaud, en suspendant le chargement jusqu'au refroidissement de ce dernier. Une fois le bloc-piles refroidi, le chargeur se met automatiquement en mode de chargement. Cette caractéristique assure aux blocs-piles une durée de vie maximale. Le voyant rouge clignote longuement, puis rapidement en mode de suspension de charge contre le chaud/froid.

### LAISSER LE BLOC-PILES DANS LE CHARGEUR

Le chargeur et son bloc-piles peuvent rester connectés, le voyant du chargeur affichant alors Bloc-piles chargé.

**BLOCS-PILES FAIBLES** : les blocs-piles faibles continueront de fonctionner, mais il faudra s'attendre à un rendement moindre.

**BLOCS-PILES DÉFECTUEUX** : ce chargeur ne pourra recharger un bloc-piles défectueux. Le chargeur indiquera qu'un bloc-piles est défectueux en refusant de s'allumer ou en affichant bloc-piles ou chargeur défectueux.

**REMARQUE** : cela pourra aussi indiquer un problème avec le chargeur.

### PROBLÈME AVEC LE SECTEUR

Certains chargeurs présentent un voyant pour tout problème avec le secteur. Lorsque le chargeur est utilisé avec des blocs d'alimentation portatifs comme des génératrices ou des alternateurs, il pourrait temporairement s'arrêter de marcher, auquel cas un voyant rouge émet deux clignotements rapides suivis d'une pause. Cela indique que le bloc d'alimentation est hors tolérance.

### Remarques importantes concernant le chargement

1. Pour augmenter la durée de vie du bloc-piles et optimiser son rendement, le recharger à une température ambiante de 18 ° à 24 °C (65 °F à 75 °F). NE PAS recharger le bloc-piles à une température inférieure à + 4,5 °C (+ 40 °F) ou supérieure à + 40,5 °C (+ 105 °F). C'est important pour prévenir tout dommage sérieux au bloc-piles.
2. Le chargeur et son bloc-piles peuvent devenir chauds au toucher pendant la charge. C'est normal et ne représente en aucun cas une défaillance du produit. Pour faciliter le refroidissement du bloc-

pires après utilisation, éviter de laisser le chargeur ou le bloc-piles dans un local où la température ambiante est élevée comme dans un hangar métallique ou une remorque non isolée.

3. Un bloc-piles froid se rechargera deux fois moins vite qu'un bloc-piles chaud. Le bloc-piles se rechargera à un rythme plus lent tout au cours du cycle de charge et ne retournera pas à sa capacité maximale de charge même s'il venait à se réchauffer.
4. Si le bloc-piles ne se recharge pas correctement :
  - a. Vérifier le bon fonctionnement de la prise en y branchant une lampe ou tout autre appareil électrique.
  - b. Vérifier que la prise n'est pas contrôlée par un interrupteur qui coupe le courant lorsqu'on éteint les lumières.
  - c. Déplacer le chargeur et le bloc-piles dans un local où la température ambiante se trouve entre environ 18 ° et 24 °C (65 °F et 75 °F).
  - d. Si le problème persiste, amener l'outil, le bloc-piles et son chargeur dans un centre de réparation local.
5. Recharger le bloc-piles lorsqu'il ne produit plus assez de puissance pour effectuer un travail qu'il faisait facilement auparavant. NE PAS CONTINUER à l'utiliser dans ces conditions. Suivre la procédure de charge. Si nécessaire, il est aussi possible de recharger un bloc-piles partiellement déchargé sans effet nuisible sur le bloc-piles.
6. Les corps étrangers conducteurs tels que (mais pas limité à) poussières de rectification, débris métalliques, laine d'acier, feuilles d'aluminium, ou toute accumulation de particules métalliques doivent être maintenus à distance des orifices du chargeur. Débrancher systématiquement le chargeur lorsque le bloc-piles n'y est pas inséré. Débrancher systématiquement le chargeur avant tout entretien.
7. Ne pas congeler ou immerger le chargeur dans l'eau ou tout autre liquide.

**⚠AVERTISSEMENT** : risques de chocs électriques. Ne laisser aucun liquide pénétrer dans le chargeur, des chocs électriques pourraient en résulter.

**⚠AVERTISSEMENT** : risques de brûlure. Ne submerger le bloc-piles dans aucun liquide et le protéger de toute infiltration de liquide. Ne jamais tenter d'ouvrir le bloc-piles pour quelque raison que ce soit. Si le boîtier plastique du bloc-piles est brisé ou fissuré, le retourner dans un centre de réparation pour y être recyclé.

### **Recommandations de stockage**

1. Le lieu idéal de rangement est un lieu frais et sec, à l'abri de toute lumière solaire directe et de toute température excessive.
2. Pour un stockage prolongé, il est recommandé d'entreposer le bloc-piles pleinement chargé dans un lieu frais et sec, hors du chargeur pour optimiser les résultats.

**REMARQUE** : les blocs-piles ne devraient pas être entreposés complètement déchargés. Il sera nécessaire de recharger le bloc-piles avant réutilisation.

## **CONSERVER CES CONSIGNES POUR UTILISATION ULTÉRIEURE**

### **DESCRIPTION**

**⚠AVERTISSEMENT** : ne jamais modifier l'outil électrique ni aucun de ses composants. car il y a risques de dommages corporels ou matériels.

Veillez vous reporter au début de cette section pour obtenir la liste des pièces.

### **USAGE PRÉVU**

Cette scie circulaire industrielle a été conçue pour la découpe professionnelle du bois.

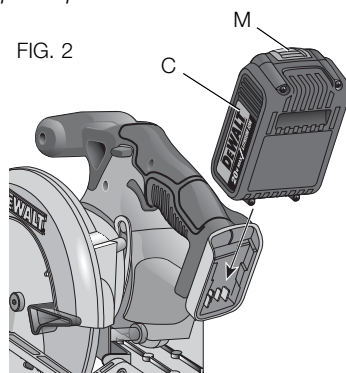


**NE PAS** les utiliser en milieu humide ou en présence de gaz ou de liquides inflammables.

**NE PAS** les laisser à la portée des enfants. Une supervision est nécessaire auprès de tout utilisateur non expérimenté.

## FONCTIONNEMENT

**⚠AVERTISSEMENT :** pour réduire les risques de blessures, éteindre l'appareil et débranchez-le de source d'alimentation avant d'installer et de retirer des accessoires, avant d'effectuer des réglages ou des réparations. Un démarrage accidentel peut provoquer des blessures.

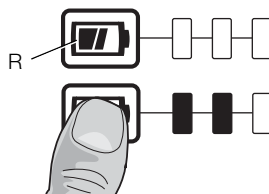


### Installation et retrait du bloc-piles (fig. 2)

**REMARQUE :** pour des résultats optimums, s'assurer que le bloc-piles est complètement chargé.

Pour installer le bloc-piles (C) dans la poignée de l'outil, alignez le bloc-piles sur les rails dans la poignée de l'outil et faites-le glisser fermement en place puis vérifiez qu'il ne s'en détachera pas.

FIG. 2A



Pour retirer le bloc-piles de l'outil, poussez sur le bouton de libération (M) et tirez fermement le bloc-piles hors de la poignée de l'outil. Insérez-le dans son chargeur comme décrit dans la section appropriée de ce manuel.

### TÉMOIN DE CHARGE DU BLOC-PILES (FIG. 2A)

Certains blocs-piles DEWALT possèdent un témoin de charge qui consiste en trois voyants Del verts indiquant le niveau de charge du bloc-piles.

Pour activer le témoin de charge, maintenez appuyé le bouton du témoin de charge (R). Une combinaison des trois voyants Del verts s'allumera indiquant le niveau de charge. Lorsque le niveau de charge du bloc-pile atteint la limite minimale d'utilisation, le témoin de charge reste éteint et le bloc-piles doit être rechargé.

**REMARQUE :** le témoin de charge ne fait qu'indiquer le niveau de charge du bloc-piles. Il ne donne aucune indication quant au fonctionnement de l'outil. Son propre fonctionnement pourra aussi varier en fonction des composants produit, de la température et de l'application d'utilisation.

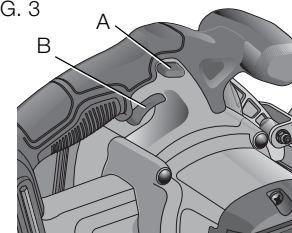
Pour plus d'informations quant au témoin de charge du bloc-piles, veuillez appeler le 1-800-4-DEWALT (1-800-433-9258) ou vous rendre sur notre site [www.dewalt.com](http://www.dewalt.com).

### Gâchette (fig. 3)

**⚠AVERTISSEMENT :** l'outil ne possède aucun verrouillage de gâchette en position de marche et ne devrait en aucune manière être verrouillé en MARCHE.

Relâchez le bouton de verrouillage (A) de la gâchette en appuyant sur

FIG. 3



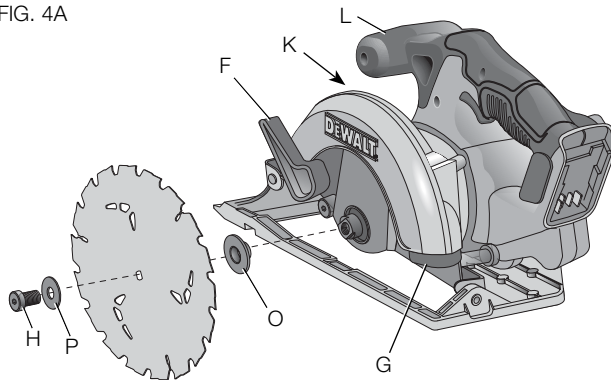
le bouton comme illustré. Appuyez sur la gâchette (B) pour mettre le moteur en marche. Dégagez la gâchette pour arrêter le moteur.

### Remplacement des lames (fig. 4, 5)

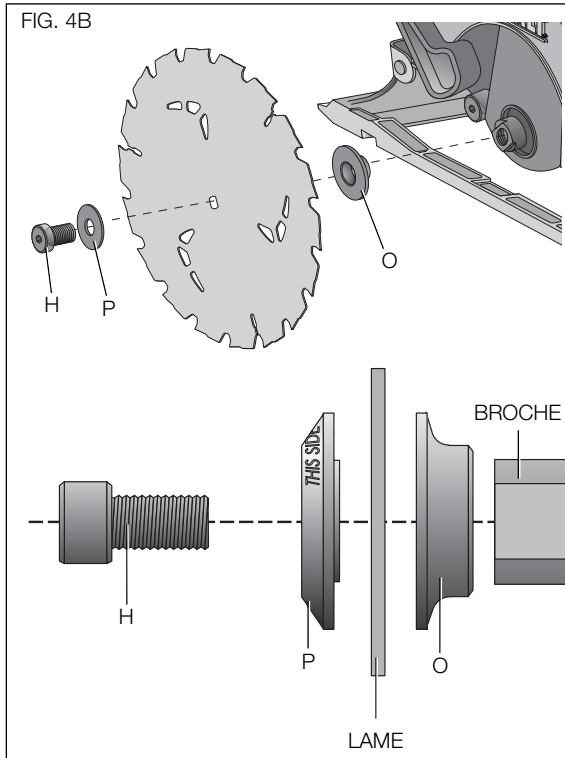
#### INSTALLATION DE LA LAME (FIG. 4, 5)

1. Placer la rondelle de bride de serrage interne (O) sur la broche de scie (la large surface plane doit être orientée vers l'extérieur, face à la lame (fig. 4A, 4B)).
2. Escamoter le protège-lame inférieur (G) et placer la lame sur la broche, contre la rondelle de bride de serrage interne, en s'assurant que la lame tourne dans le bon sens (le sens de la flèche de rotation située sur la lame et les dents doivent pointer dans la même direction que celle de la flèche indiquée sur le protège-lame inférieur). Ne pas assumer que le côté imprimé de la lame est toujours face à l'utilisateur lorsqu'elle est installée correctement. Lorsqu'on escamote le protège-lame inférieur en vue d'installer la lame, le vérifier afin de s'assurer qu'il est en bon état et qu'il fonctionne correctement, c'est-à-dire, qu'il se déplace librement et qu'il ne touche pas à la lame ni à toute autre pièce quelconque, quel que soit l'angle ou la profondeur de coupe.

FIG. 4A



3. Placer la rondelle de bride de serrage externe (P) sur la broche de scie, en s'assurant de placer la large surface plane contre la lame, et le côté biseauté vers l'extérieur.





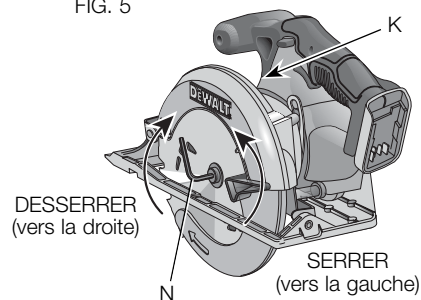
4. Fileter la vis de fixation de la lame (H) dans la broche et la serrer fermement avec les doigts (cette vis à filetage inverse doit être serrée vers la gauche).
5. Appuyez sur le bouton de verrouillage de lame (K) tout en tournant la broche de la scie avec la clé pour lame (N) jusqu'à ce que le verrouillage de lame s'enclenche et que la lame cesse de tourner (fig. 5).
6. Serrer fermement la vis de fixation au moyen de la clé de réglage.

**REMARQUE :** ne jamais engager le bouton de verrouillage de la lame lorsque la scie est en marche pour tenter d'arrêter l'outil. Ne jamais mettre l'outil en marche lorsque le bouton de verrouillage est engagé afin d'éviter d'endommager gravement la scie.

#### REMPACEMENT DE LA LAME (FIG. 4, 5)

1. Pour desserrer la vis de serrage de lame (H), appuyez sur le bouton de verrouillage de lame (K) et tournez la broche de la scie avec la clé pour lame (N) jusqu'à ce que le verrouillage de lame s'enclenche et que la lame cesse de tourner. Alors que le verrouillage de lame est activé, tournez la vis de serrage de lame vers la droite avec la clé pour lame (la vis a un filetage vers la gauche et doit être tournée vers la droite pour être dévissée).

FIG. 5



2. Retirer la vis de fixation (H) et la rondelle de bride de serrage externe (P) seulement, puis enlever l'ancienne lame.
3. Enlever la sciure qui aurait pu s'accumuler dans le protège-lame ou autour de la rondelle et vérifier le protège-lame inférieur afin de s'assurer qu'il est en bon état et qu'il fonctionne correctement, tel que décrit précédemment. Ne pas lubrifier cette zone.
4. Choisir la lame qui convient à la tâche (voir la section **Lames** du présent guide). Toujours utiliser une lame de dimension (diamètre) appropriés munie d'un orifice de dimension et de forme appropriées en vue de leur installation sur la broche. Toujours s'assurer que la vitesse maximale recommandée (tr/min) indiquée sur la lame est égale ou supérieure à la vitesse (tr/min) de la scie.
5. Suivre les étapes de 2 à 6 décrites à la section **Installation de la lame** du présent guide, en s'assurant que la lame tourne dans le bon sens.

#### PROTÈGE-LAME INFÉRIEUR

**⚠AVERTISSEMENT :** le protège-lame inférieur est un dispositif de sécurité destiné à réduire les risques de dommages corporels graves. Ne jamais utiliser la scie sans son protège-lame inférieur, ou s'il est endommagé, mal assemblé ou ne fonctionne pas correctement. Ne pas compter sur le protège-lame inférieur pour vous protéger en toute circonstance. Votre sécurité dépend autant du respect des avertissements et des précautions prises que de l'utilisation correcte de la scie. Vérifier que le protège-lame inférieur se referme correctement avant chaque utilisation comme décrit dans la section **Consignes** additionnelles de sécurité propres à toutes les scies. Si le protège-lame inférieur manque ou ne fonctionne pas correctement, faire vérifier la scie avant toute utilisation.

**Pour assurer votre sécurité et la fiabilité du produit, toutes les opérations de réparation, d'entretien et de réglage doivent être effectuées dans un centre de service autorisé ou par du personnel qualifié en utilisant systématiquement des pièces de rechange identiques.**

## Lames

**⚠AVERTISSEMENT :** afin de réduire les risques de blessure aux yeux, toujours porter des lunettes de protection. Le carbure est un matériel dur, mais fragile, et les matières étrangères présentes dans la pièce, comme les fils ou les clous, peuvent fendre ou briser les pointes. Ne jamais faire fonctionner l'outil lorsque le protège-lame n'est pas en place. S'assurer que la lame est installée et bien fixée et qu'elle tourne correctement avant d'utiliser l'outil. Toujours utiliser une lame propre et bien aiguisée.

**⚠AVERTISSEMENT :** ne jamais utiliser l'outil pour effectuer une coupe dans les métaux ferreux (acier), la maçonnerie, le verre, ou platelage de maçonnerie similaire, les panneaux de ciment ou la tuile.

Ne pas utiliser de meules ou de lames abrasives. Une lame émoussée ralentira la coupe et la rendra inefficace, surchargera le moteur, provoquera des éclats de matériau et augmentera les risques de rebonds. Veuillez vous reporter au tableau ci-après pour déterminer la taille correcte de la lame de rechange propre à votre modèle de scie.

Lame	Diamètre	Dents	Application
DW9155	165 mm (6-1/2 po)	18	Coupes universelles
DW9154	165 mm (6-1/2 po)	24	Coupes de précision du bois
DW9153	165 mm (6-1/2 po)	90	Coupes sans carbure, de contreplaqué/ recouvrement mural en vinyle

Pour obtenir plus d'information sur les lames, veuillez communiquer avec DEWALT au 1 800 433-9258 (1 800 4-DEWALT) .

## REBOND

Le rebond est une réaction subite (causée par une lame de scie pincée, coincée ou mal alignée) qui peut entraîner le soulèvement d'une scie non contrôlée, sa sortie de l'ouvrage et sa projection en direction de l'utilisateur. Si la lame est pincée ou coincée fortement pendant l'abaissement de la scie, la lame se cale et le moteur réagit en entraînant rapidement l'outil vers l'arrière dans la direction de l'opérateur. Si la lame se tord ou perd son alignement correct au cours de la coupe, les dents sur le bord arrière de la lame peuvent entamer la surface supérieure du bois, forçant ainsi la lame à sortir du trait de scie et à « sauter » vers l'arrière en direction de l'opérateur.

Les situations suivantes présentent des risques de rebond.

### 1. MAUVAIS SOUTIEN DE LA PIÈCE À DÉCOUPER

- L'affaissement ou le mauvais soutien de la pièce découpée peut causer le blocage de la lame (fig. 12).
- Le découpage d'un matériau seulement soutenu à l'extrémité externe (fig. 12) fait affaisser le matériau à-mesure qu'il s'affaiblit, refermant ainsi la rainure et bloquant la lame.
- Le découpage d'une pièce en porte-à-faux ou en saillie à partir du bas vers le haut, à la verticale, provoque le blocage de la lame lorsque la pièce découpée tombe.
- Le découpage de longues bandes étroites (coupes en refente) peut causer l'affaissement ou la torsion de la bande bloquant ainsi la rainure et coinçant la lame.
- L'accrochage du protecteur inférieur sur la surface sous le matériau peut réduire momentanément la maîtrise de l'utilisateur sur l'outil. La scie peut alors sortir en partie de la pièce augmentant le risque de torsion de la lame.



## 2. RÉGLAGE INCORRECT DE LA PROFONDEUR DE COUPE

Pour effectuer une coupe optimale, la lame ne devrait pas dépasser de plus d'une demi-dent, comme illustré en figure 7. Cela permet au patin de soutenir la lame et de minimiser tout grippage ou pincage du matériau. Se reporter à la section intitulée **Réglage de la profondeur de coupe**.

## 3. TORSION DE LA LAME (COUPE MAL ALIGNÉE)

- A. Le fait de pousser fort pour découper un noeud, un clou ou une section à grain dur peut provoquer la torsion de la lame.
- B. Lorsqu'on essaie de faire dévier la scie pendant le découpage (pour revenir dans la ligne de coupe) peut également provoquer la torsion de la lame.
- C. Le fait de s'étirer hors de sa portée ou de ne pas garder son équilibre peut causer la torsion de la lame.
- D. Le changement de position des mains ou du corps pendant la coupe peut provoquer la torsion de la lame.
- E. Le retrait de la scie pour dégager la lame peut faire tordre la lame.

## 4. MATÉRIAUX PRÉSENTANT DES RISQUES

- A. Le bois qui est humide.
- B. Le bois vert; qui est frais coupé ou qui n'est pas encore passé au séchoir.
- C. Le bois qui est traité à la pression (traité avec des agents de conservation ou des produits chimiques contre la moisissure).

## 5. UTILISATION DE LAMES ÉMOUSSÉES OU SALES

Les lames émoussées augmentent la charge de la scie. Pour compenser, l'utilisateur pousse habituellement fort ce qui charge un peu plus la scie et occasionne la torsion de la lame dans la rainure. Les lames usées n'ont pas suffisamment de jeu ce qui augmente les risques de pliage et de surcharge.

## 6. RETRAIT DE LA SCIE PENDANT LES COUPES EN BISEAU

Les coupes en biseau doivent être faites en respectant un certain nombre de techniques, particulièrement le guidage de la scie. En effet, l'angle de la lame au patin et la grande surface de la lame sur le matériau augmentent les risques de pliage et de torsion.

## 7. REDÉMARRAGE D'UNE COUPE AVEC LES DENTS DE LA LAME COINCÉES DANS LE MATÉRIAU

Il faut attendre que la scie atteigne son plein régime avant de commencer à découper ou avant de remettre la scie en marche. Autrement, la scie peut caler ou rebondir.

Toute autre condition pouvant avoir comme résultat le pincement, le grippage, la torsion ou le mésalignement de la lame pourra causer des rebonds. Se reporter aux sections **Consignes additionnelles de sécurité propres à toutes les scies** et **Lames** pour les procédures et techniques de minimisation des risques de rebonds.

## **Réglage de la profondeur de coupe (fig. 6, 7)**

1. Tenir fermement la scie et desserrer (vers la droite) le bouton de réglage de profondeur (D), puis déplacer le patin afin d'obtenir la profondeur voulue.
2. S'assurer de bien resserrer le bouton (vers la gauche) avant de faire fonctionner l'outil.

Pour une coupe optimale, réglez le réglage de profondeur de façon à ce qu'une demi-dent de lame dépasse sous le matériau à découper. Il s'agit de la distance entre la pointe de la dent de lames et le creux la précédant. Cela permet de minimiser la friction de lame, d'éliminer la sciure de la coupe, de maintenir la température de sciage basse et une vitesse de sciage rapide tout en réduisant les risques de rebonds. Une méthode de vérification de la profondeur de coupe correcte est illustrée

en figure 7. Posez un morceau du matériau à découper sur le côté de la lame, comme illustré, et vérifiez la longueur de dent dépassant du matériau.

FIG. 6

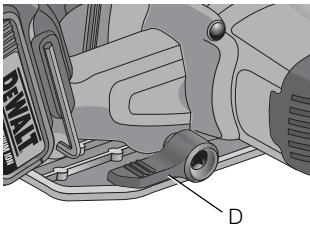
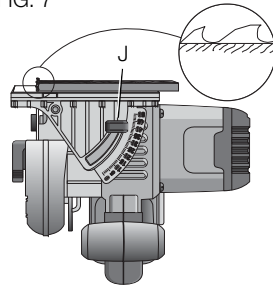


FIG. 7



### Réglage de l'angle de biseau (fig. 7)

La plage complète des angles de biseau s'étend entre 0 et 50 degrés; le réglage s'effectue par échelons de 1 degré. À l'avant de la scie se trouve le mécanisme de réglage d'angle de biseau représenté par un cadran étalonné et un bouton de réglage de chanfrein (J).

#### POUR EFFECTUER LE RÉGLAGE DE L'ANGLE DE BISEAU :

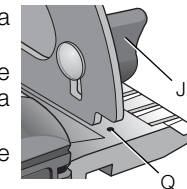
1. Desserrer (vers la gauche) le bouton de réglage de l'angle de biseau (J) et pencher le patin à l'angle voulu en alignant l'indicateur avec la marque correspondante.
2. Resserrer fermement le bouton (vers la droite).

### Réglage du patin pour les coupes de 90° (fig. 8)

#### SI UN RÉGLAGE SUPPLÉMENTAIRE S'AVÈRE NÉCESSAIRE, ON DOIT :

1. Régler la scie à un angle de biseau de 0°;
2. Rétractez le protège-lame inférieur. Placez la scie sur le côté lame.
3. Desserrer le bouton de réglage de l'angle de biseau (J), puis placer une équerre contre la lame et le patin pour régler l'angle à 90°;
4. Tournez la vis de calibrage (Q) de façon à ce que le patin s'arrête sur l'angle voulu.
5. Confirmer la précision du réglage en vérifiant la perpendicularité d'une coupe qu'on a effectuée sur un matériel de retaille.

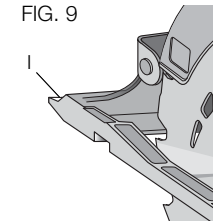
FIG. 8



### Indicateur de trait de scie (fig. 9)

La partie avant du patin est munie d'un indicateur de trait de scie (I) pour les coupes verticales et en biseau. Cet indicateur permet à l'opérateur de guider la scie le long des lignes de coupe tracées au crayon sur la pièce. L'indicateur de trait de scie s'aligne sur le côté gauche (externe) de la lame de scie, ce qui fait tomber la rainure ou « trait de scie » effectué par la lame en mouvement sur la droite de l'indicateur. Guidez la scie le long du tracé de coupe de façon à ce que le trait tombe du côté du surplus de matériau.

FIG. 9

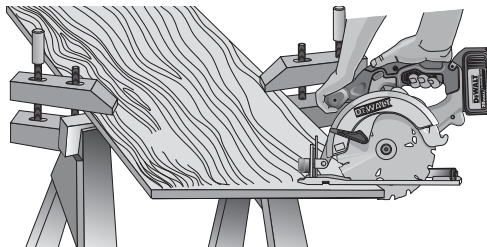




### Support de la pièce (fig. 10–12)

**⚠ AVERTISSEMENT :** Il est important de bien soutenir la pièce et de tenir fermement la scie afin d'éviter de perdre la maîtrise de l'outil et de se blesser. La figure 10 illustre la bonne façon de soutenir et de tenir la scie. Tenir fermement l'outil des deux mains et placer le corps et les bras de manière à pouvoir résister les effets du rebond, le cas échéant. **TOUJOURS METTRE L'OUTIL HORS TENSION ET RETIRER LE BLOC-PILES AVANT D'EFFECTUER UN RÉGLAGE!**

FIG. 10



La figure 10 illustre la position de sciage appropriée. Les mains doivent être tenues éloignées de la zone de coupe. **Pour éviter l'effet de rebond**, TOUJOURS soutenir la planche ou le panneau PRÈS de la ligne de coupe (fig. 11), JAMAIS loin de celle-ci (fig. 12).

FIG. 11 TOUJOURS soutenir la planche ou le panneau PRÈS DE LA LIGNE de coupe.

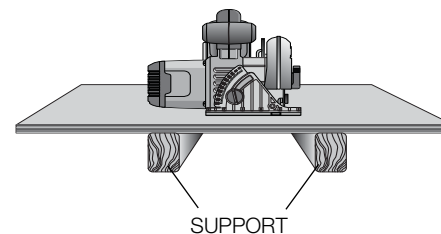
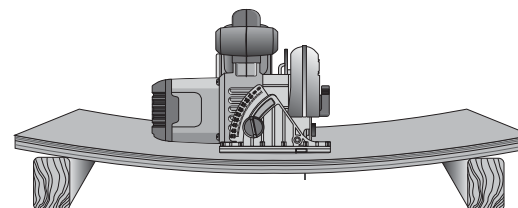


FIG. 12 NE JAMAIS soutenir la planche ou le panneau LOIN DE la ligne de coupe.



Placer la pièce de manière à ce que le « bon » côté (celui dont l'apparence importe le plus) soit vers le bas; puisque la scie coupe vers le haut, le matériau produira des éclats dans cette direction.

### Coupage (Fig. 10)

Placer la section la plus large du patin sur la section solidement soutenue du matériau, non sur celle qui se détachera. Par exemple, la figure 10 illustre la façon CORRECTE de couper l'extrémité d'une planche. Toujours fixer la pièce. Ne jamais tenir les planches plus courtes avec les mains! Bien soutenir les pièces en saillie ou en porte-à-faux et prendre les précautions nécessaires lorsqu'on coupe un matériau sur le dessous.

S'assurer que la scie atteigne sa vitesse maximale avant de placer la lame sur le matériau, car on peut engendrer un rebond si on démarre la scie alors qu'elle touche le matériau ou si on la pousse dans une entaille. Faire avancer la scie à une vitesse qui permet à la lame de couper sans trop forcer.

La dureté et la résilience d'un matériau peuvent varier d'une section à l'autre; les sections noueuses ou humides peuvent aussi surcharger l'outil. Lorsque cela se produit, pousser la scie plus lentement en s'assurant d'exercer assez de pression pour continuer à travailler sans trop réduire la vitesse. Si on force l'outil, on risque d'obtenir des coupes rugueuses ou inexactes, de causer des rebonds ou de faire surchauffer le moteur.

Si la coupe sort de son alignement, n'essayez pas de forcer l'outil pour le réaligner. Relâchez la gâchette et attendez l'arrêt complet de la lame, puis soulevez la scie, réalignez-la et recommencez à couper partiellement dans la mauvaise coupe. Sortez la scie du trait pour changer la direction de coupe. Le fait de vouloir corriger la direction de coupe dans le trait de scie lui-même pourra faire caler la scie et entraîner des rebonds.

SI LA SCIE VENAIT À CALER, RELÂCHEZ LA GÂCHETTE PUIS FAITES RECULER LA SCIE POUR LA DÉGAGER. ASSUREZ-VOUS QUE LA LAME EST ALIGNÉE SUR LA COUPE ET AU-DELÀ DU BORD DE COUPE AVANT DE REMETTRE LA SCIE EN MARCHÉ.

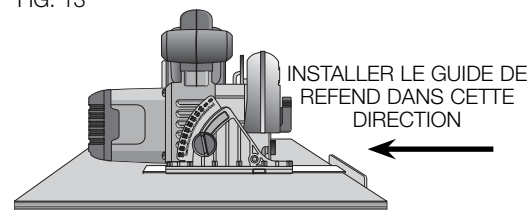
En fin de coupe, relâchez la gâchette et laissez la lame s'arrêter complètement avant de soulever la scie du travail. Lorsque vous soulevez la scie, le protège-lame inférieur à ressort se refermera automatiquement sur la lame. Rappelez-vous que tant que ceci n'est pas fait, la lame est à nu, aussi ne passez jamais les doigts sous le matériau pour quelque raison que ce soit. Si vous devez rétracter manuellement le protège-lame inférieur (comme pour commencer des coupes internes par exemple), utilisez systématiquement le levier rétractant.

**⚠AVERTISSEMENT :** pour découper des bandes, s'assurer que des petits rebuts ne s'accrochent pas sur l'intérieur du protège-lame inférieur.

### COUPES EN LONG (FIG. 13)

Une coupe en long consiste à couper de larges panneaux en bandes plus étroites (couper dans le sens du grain). Il est plus difficile de guider manuellement ce genre de coupe, et l'utilisation d'un guide longitudinal DEWALT, est recommandée.

FIG. 13





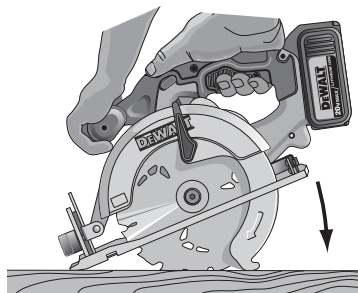
### COUPE EFFECTUÉE À PARTIR DE L'INTÉRIEUR D'UN MATÉRIAU (FIG. 14)

**⚠AVERTISSEMENT :** ne jamais bloquer le protège-lame inférieur en position haute. Ne jamais déplacer la scie vers l'arrière pendant une coupe interne. Cela pourrait faire sortir la scie de la surface de travail et poser des risques de dommages corporels.

On effectue une coupe interne dans un plancher, un mur ou toute autre surface plane.

1. Régler le patin afin d'obtenir la profondeur de coupe voulue.
2. Pencher la scie vers l'avant et appuyer le devant du patin sur le matériau à couper.
3. À l'aide du levier rétractant du protège-lame inférieur, rétractez le protège-lame inférieur vers le haut. Abaissez l'arrière du patin jusqu'à ce que les dents de scie touchent légèrement la ligne de coupe.
4. Relâchez le protège-lame inférieur (son contact avec la pièce le maintiendra en position ouverte alors que vous commencerez la coupe). Retirez la main du Levier rétractant du protège-lame inférieur et agrippez fermement la poignée auxiliaire, comme illustré en figure 14. Positionnez corps et bras de façon à pouvoir résister à tout rebond possible.
5. S'assurer que la lame n'est pas en contact avec la surface de coupe avant de démarrer le moteur.

FIG. 14



6. Démarrer le moteur et baisser graduellement la scie jusqu'à ce que le patin repose à plat sur la surface. Faire avancer la scie le long de la ligne de coupe jusqu'à ce que cette dernière soit terminée.
7. Relâchez la gâchette et laissez la lame s'arrêter complètement avant de retirer la lame du matériau.
8. Pour commencer toute nouvelle coupe, répétez la procédure ci-dessus.

### ENTRETIEN

**⚠AVERTISSEMENT :** pour réduire les risques de blessures, éteindre l'appareil et débranchez-le de source d'alimentation avant d'installer et de retirer des accessoires, avant d'effectuer des réglages ou des réparations. Un démarrage accidentel peut provoquer des blessures.

### Nettoyage

**⚠AVERTISSEMENT :** enlever les saletés et la poussière hors des événements au moyen d'air comprimé propre et sec, au moins une fois par semaine. Pour minimiser le risque de blessure aux yeux, toujours porter une protection oculaire conforme à la norme ANSI Z87.1 lors du nettoyage.

**⚠AVERTISSEMENT :** ne jamais utiliser de solvants ni d'autres produits chimiques puissants pour nettoyer les pièces non métalliques de l'outil. Ces produits chimiques peuvent affaiblir les matériaux de plastique utilisés dans ces pièces. Utiliser un chiffon humecté uniquement d'eau et de savon doux. Ne jamais laisser de liquide pénétrer dans l'outil et n'immerger aucune partie de l'outil dans un liquide.

## INSTRUCTION DE NETTOYAGE DU CHARGEUR

**⚠AVERTISSEMENT** : *risque de choc. Débrancher le chargeur de la prise de courant C.A. avant de le nettoyer. La saleté et la graisse peuvent être enlevées de la surface extérieure du chargeur au moyen d'un chiffon ou d'une brosse douce non métallique. Ne pas utiliser d'eau ni d'autres solutions de nettoyage.*

## Lubrification

Les roulements à billes ou à rouleaux internes de l'outil sont autolubrifiés, de sorte qu'on n'a pas besoin de les lubrifier soi-même. On recommande cependant d'ér l'outil à un centre de service autorisé au moins une fois par année aux fins d'un entretien complet (nettoyage, inspection et lubrification) du carter d'engrenage.

## Accessoires

**⚠AVERTISSEMENT** : *puisque les accessoires autres que ceux offerts par DEWALT n'ont pas été testés avec ce produit, leur utilisation pourrait s'avérer dangereuse. Pour réduire le risque de blessures, utiliser exclusivement les accessoires DEWALT recommandés avec le présent produit.*

Les accessoires recommandés pour cet outil sont vendus séparément au centre de service de votre région. Pour obtenir de l'aide concernant l'achat d'un accessoire, communiquer avec DEWALT Industrial Tool Co., 701 East Joppa Road, Baltimore, MD 21286 aux États-Unis; composer le 1 800 433-9258 (1 800 4-DEWALT) ou visiter notre site Web [www.dewalt.com](http://www.dewalt.com).

## Réparations

Le bloc-piles et le chargeur ne sont pas réparables. Le chargeur ou le bloc-piles ne comportent aucune pièce réparable.

Pour assurer la SÉCURITÉ et la FIABILITÉ du produit, les réparations, l'entretien et les réglages doivent être réalisés (cela comprend l'inspection et le remplacement du balai) par un centre de réparation en usine DEWALT, un centre de réparation agréé DEWALT ou par d'autres techniciens qualifiés. Toujours utiliser des pièces de rechange identiques.

## Garantie limitée de trois ans

DEWALT réparera, sans frais, tout produit défectueux causé par un défaut de matériel ou de fabrication pour une période de trois ans à compter de la date d'achat. La présente garantie ne couvre pas les pièces dont la défectuosité a été causée par une usure normale ou l'usage abusif de l'outil. Pour obtenir de plus amples renseignements sur les pièces ou les réparations couvertes par la présente garantie, visiter le site [www.dewalt.com](http://www.dewalt.com) ou composer le 1 800 433-9258 (1 800 4-DEWALT). Cette garantie ne s'applique pas aux accessoires et ne vise pas les dommages causés par des réparations effectuées par un tiers. Cette garantie confère des droits légaux particuliers à l'acheteur, mais celui-ci pourrait aussi bénéficier d'autres droits variant d'un état ou d'une province à l'autre.

En plus de la présente garantie, les outils DEWALT sont couverts par notre :

### CONTRAT D'ENTRETIEN GRATUIT D'UN AN

DEWALT entretiendra l'outil et remplacera les pièces usées au cours d'une utilisation normale et ce, gratuitement, pendant une période d'un an à compter de la date d'achat.

### CONTRAT D'ENTRETIEN GRATUIT DE DEUX ANS SUR LES BLOC-PILES DEWALT

DC9071, DC9091, DC9096, DC9280, DC9360, DC9180, DCB120  
et DCB201



**CONTRAT D'ENTRETIEN GRATUIT DE TROIS ANS  
SUR LES BLOC-PILES DEWALT**

DCB200 et la

**BLOCS-PILES DEWALT**

La garantie de ce produit sera annulée si le bloc-piles a été altéré de quelque façon que ce soit. DEWALT ne peut être tenu responsable de tout dommage corporel causé par l'altération du produit et pourra poursuivre toute fraude en matière de garantie dans toute l'étendue permise par la loi.

**GARANTIE DE REMBOURSEMENT DE 90 JOURS**

Si l'acheteur n'est pas entièrement satisfait, pour quelque raison que ce soit, du rendement de l'outil électrique, du laser ou de la cloueuse DEWALT, celui-ci peut le retourner, accompagné d'un reçu, dans les 90 jours à compter de la date d'achat pour obtenir un remboursement intégral, sans aucun problème.

**AMÉRIQUE LATINE :** cette garantie ne s'applique aux produits vendus en Amérique latine. Pour ceux-ci, veuillez consulter les informations relatives à la garantie spécifique présente dans l'emballage, appeler l'entreprise locale ou consulter le site Web pour les informations relatives à cette garantie.

**REPLACEMENT GRATUIT DES ÉTIQUETTES  
D'AVERTISSEMENT :** si les étiquettes d'avertissement deviennent illisibles ou sont manquantes, composer le 1 800 433-9258 (1 800 4-DEWALT) pour en obtenir le remplacement gratuit.

**DCSXXX** 6 1/2" (165mm) CORDLESS CIRCULAR SAW

SER. [REDACTED]

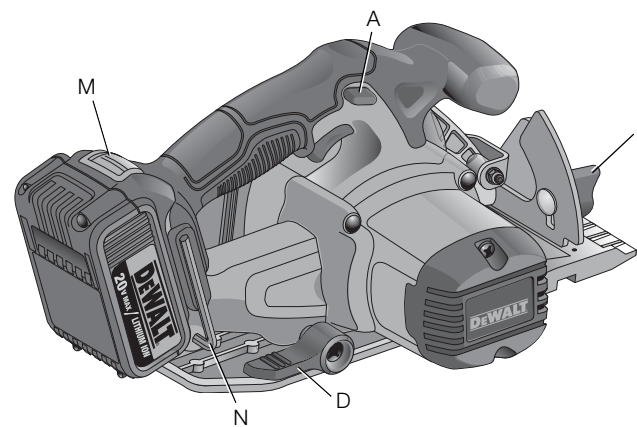
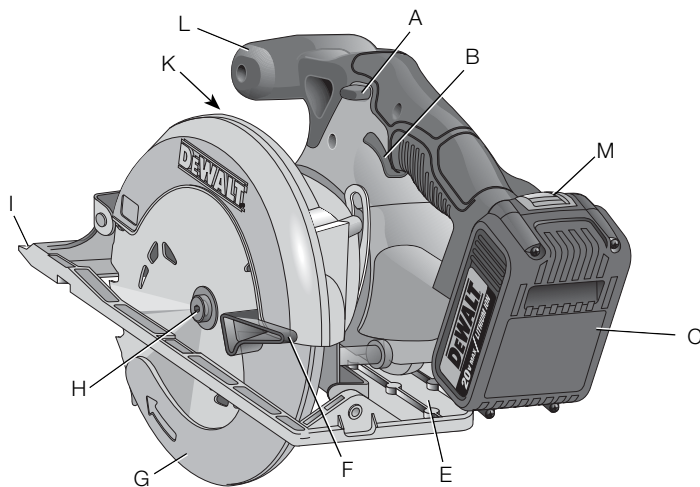
**⚠ DANGER/PELIGRO** KEEP HANDS AND BODY AWAY FROM AND TO THE SIDE OF THE BLADE. CONTACT WITH BLADE WILL RESULT IN SERIOUS INJURY. MANTENGA LAS MANOS Y EL CUERPO ALEJADOS DE LA HOJA Y A UN LADO DE LA MISMA. EL CONTACTO CON LA HOJA PROVOCA LESIONES GRAVES. TENIR LES MAINS ET TOUTE AUTRE PARTIE DU CORPS ÉLOIGNÉES DE LA LAME ET SUR LE CÔTÉ DE CELLE-CI. TOUT CONTACT AVEC LA LAME RISQUE DE CAUSER DE GRAVES BLESSURES.

**⚠ WARNING/ADVERTENCIA/AVERTISSEMENT**  
TO REDUCE THE RISK OF INJURY, USER MUST READ INSTRUCTION MANUAL, CHECK GUARDING SYSTEM. IT MUST COVER BLADE INSTANTLY! HOLD SAW WITH BOTH HANDS, SUPPORT AND CLAMP WORK, WEAR EYE PROTECTION, ALWAYS USE PROPER RESPIRATORY PROTECTION. USE WITH DEWALT BATTERY, REMOVE BATTERY PACK WHEN CHANGING BLADES OR MAKING ADJUSTMENTS. PARA DISMINUIR EL RIESGO DE LESIONES, EL USUARIO DEBERÁ LEER EL MANUAL DE INSTRUCCIONES, INSPECCIONE LA GUARDA INFERIOR. LA GUARDA DEBE DE CERRAR INSTANTANEAMENTE. SOSTENGA LA SIERRA CON AMBAS MANOS, QUITE EL PAQUETE DE LA BATERÍA AL CAMBIAR LAS LÁMINAS O HACIENDO AJUSTES. À TITRE PRÉVENTIF, LIRE LE GUIDE. VÉRIFIER LE PROTECTEUR INFÉRIEUR. CE DERNIER DOIT SE REFERMER INSTANTANÉMENT. TENIR LA SCIE DES DEUX MAINS, SOUTENIR ET FIXER LA PIÈCE À OUVREIR, ENLEVEZ LE PAQUET DE BATTERIE EN CHANGÉANT DES LAMES OU EN FAISANT DES AJUSTEMENTS.

DEWALT INDUSTRIAL TOOL CO., BALTIMORE, MD 71286 USA  
FOR SERVICE INFORMATION CALL: 1-800-4-DEWALT www.DEWALT.com

Français

Sierras circular inalámbrica de 20 V Máx\* y 3700 RPM Modelo DCS391, DCS393



- A. BOTÓN DE BLOQUEO DEL INTERRUPTOR TIPO GATILLO
- B. CONMUTADOR TIPO GATILLO
- C. UNIDAD DE ALIMENTACIÓN
- D. BOTÓN DE AJUSTE DE PROFUNDIDAD
- E. BASE
- F. PALANCA RETRACTABLE DEL PROTECTOR DE LA HOJA INFERIOR
- G. PROTECTOR DE LA HOJA INFERIOR

- H. TORNILLO DE FIJACIÓN DE LA HOJA
- I. INDICADOR DE LA VÍA DEL CORTE
- J. BOTÓN DE AJUSTE DEL BISEL
- K. BOTÓN DE BLOQUEO DE LA HOJA (no aparece ilustrado)
- L. MANGO AUXILIAR
- M. BOTÓN DE LIBERACIÓN DE LA BATERÍA
- N. LLAVE DE LA HOJA



### **Definiciones: Normas de seguridad**

Las siguientes definiciones describen el nivel de gravedad de cada palabra de señal. Lea el manual y preste atención a estos símbolos.

**⚠PELIGRO:** Indica una situación de peligro inminente que, si no se evita, provocará **la muerte o lesiones graves**.

**⚠ADVERTENCIA:** Indica una situación de peligro potencial que, si no se evita, **podría provocar la muerte o lesiones graves**.

**⚠ATENCIÓN:** Indica una situación de peligro potencial que, si no se evita, **posiblemente** provocaría **lesiones leves o moderadas**.

**AVISO:** Se refiere a una práctica **no relacionada a lesiones corporales** que de no evitarse **puede** resultar en **daños a la propiedad**.

SI TIENE ALGUNA DUDA O ALGÚN COMENTARIO SOBRE ÉSTA U OTRA HERRAMIENTA DEWALT, LLÁMENOS AL NÚMERO GRATUITO: 1-800-4-DEWALT (1-800-433-9258).



**ADVERTENCIA:** Para reducir el riesgo de lesiones, lea el manual de instrucciones.

### **Advertencias generales de seguridad para herramientas eléctricas**



**¡ADVERTENCIA!** Lea todas las advertencias de seguridad e instrucciones. Si no sigue todas las advertencias e instrucciones podría provocar una descarga eléctrica, un incendio o lesiones graves.

## **CONSERVE TODAS LAS ADVERTENCIAS E INSTRUCCIONES PARA FUTURAS CONSULTAS**

El término "herramienta eléctrica" incluido en las advertencias hace referencia a las herramientas eléctricas operadas con corriente (con cable eléctrico) o a las herramientas eléctricas operadas con baterías (inalámbricas).

### **1) SEGURIDAD EN EL ÁREA DE TRABAJO**

- Mantenga el área de trabajo limpia y bien iluminada.** Las áreas abarrotadas y oscuras propician accidentes.
- No opere las herramientas eléctricas en atmósferas explosivas, como ambientes donde haya polvo, gases o líquidos inflamables.** Las herramientas eléctricas originan chispas que pueden encender el polvo o los vapores.
- Mantenga alejados a los niños y a los espectadores de la herramienta eléctrica en funcionamiento.** Las distracciones pueden provocar la pérdida de control.

### **2) SEGURIDAD ELÉCTRICA**

- Los enchufes de la herramienta eléctrica deben adaptarse al tomacorriente. Nunca modifique el enchufe de ninguna manera. No utilice ningún enchufe adaptador con herramientas eléctricas con conexión a tierra.** Los enchufes no modificados y que se adaptan a los tomacorrientes reducirán el riesgo de descarga eléctrica.
- Evite el contacto corporal con superficies con descargas a tierra como, por ejemplo, tuberías, radiadores, cocinas eléctricas y refrigeradores.** Existe mayor riesgo de descarga eléctrica si su cuerpo está puesto a tierra.
- No exponga las herramientas eléctricas a la lluvia o a condiciones de humedad.** Si entra agua a una herramienta eléctrica, aumentará el riesgo de descarga eléctrica.

- d) **No maltrate el cable. Nunca utilice el cable para transportar, tirar o desenchufar la herramienta eléctrica. Mantenga el cable alejado del calor, el aceite, los bordes filosos y las piezas móviles.** Los cables dañados o enredados aumentan el riesgo de descarga eléctrica.
- e) **Al operar una herramienta eléctrica en el exterior, utilice un cable prolongador adecuado para tal uso.** Utilice un cable adecuado para uso en exteriores a fin de reducir el riesgo de descarga eléctrica.
- f) **Si el uso de una herramienta eléctrica en un lugar húmedo es imposible de evitar, utilice un suministro protegido con un interruptor de circuito por falla a tierra (GFCI).** El uso de un GFCI reduce el riesgo de descargas eléctricas.
- 3) SEGURIDAD PERSONAL**
- a) **Permanezca alerta, controle lo que está haciendo y utilice el sentido común cuando emplee una herramienta eléctrica. No utilice una herramienta eléctrica si está cansado o bajo el efecto de drogas, alcohol o medicamentos.** Un momento de descuido mientras se opera una herramienta eléctrica puede provocar lesiones personales graves.
- b) **Utilice equipos de protección personal. Siempre utilice protección para los ojos.** En las condiciones adecuadas, el uso de equipos de protección, como máscaras para polvo, calzado de seguridad antideslizante, cascos o protección auditiva, reducirá las lesiones personales.
- c) **Evite el encendido por accidente. Asegúrese de que el interruptor esté en la posición de apagado antes de conectarlo a la fuente de energía o paquete de baterías, o antes de levantar o transportar la herramienta.** Transportar herramientas eléctricas con el dedo apoyado en el interruptor o enchufar herramientas eléctricas con el interruptor en la posición de encendido puede propiciar accidentes.
- d) **Retire la clavija de ajuste o la llave de tuercas antes de encender la herramienta eléctrica.** Una llave de tuercas o una clavija de ajuste que quede conectada a una pieza giratoria de la herramienta eléctrica puede provocar lesiones personales.
- e) **No se estire. Conserve el equilibrio y párese adecuadamente en todo momento.** Esto permite un mejor control de la herramienta eléctrica en situaciones inesperadas.
- f) **Use la vestimenta adecuada. No use ropas holgadas ni joyas. Mantenga el cabello, la ropa y los guantes alejados de las piezas en movimiento.** Las ropas holgadas, las joyas o el cabello largo pueden quedar atrapados en las piezas en movimiento.
- g) **Si se suministran dispositivos para la conexión de accesorios con fines de recolección y extracción de polvo, asegúrese de que estén conectados y que se utilicen correctamente.** El uso de dispositivos de recolección de polvo puede reducir los peligros relacionados con el polvo.
- 4) USO Y MANTENIMIENTO DE LA HERRAMIENTA ELÉCTRICA**
- a) **No fuerce la herramienta eléctrica. Utilice la herramienta eléctrica correcta para el trabajo que realizará.** Si se la utiliza a la velocidad para la que fue diseñada, la herramienta eléctrica correcta permite trabajar mejor y de manera más segura.
- b) **No utilice la herramienta eléctrica si no puede encenderla o apagarla con el interruptor.** Toda herramienta eléctrica que no pueda ser controlada mediante el interruptor es peligrosa y debe repararse.
- c) **Desconecte el enchufe de la fuente de energía o el paquete de baterías de la herramienta eléctrica antes de realizar ajustes, cambiar accesorios o almacenar**



la **herramienta eléctrica**. Estas medidas de seguridad preventivas reducen el riesgo de encender la herramienta eléctrica en forma accidental.

- d) **Guarde la herramienta eléctrica que no esté en uso fuera del alcance de los niños y no permita que otras personas no familiarizadas con ella o con estas instrucciones operen la herramienta.** Las herramientas eléctricas son peligrosas si son operadas por usuarios no capacitados.
- e) **Realice el mantenimiento de las herramientas eléctricas. Revise que no haya piezas en movimiento mal alineadas o trabadas, piezas rotas o cualquier otra situación que pueda afectar el funcionamiento de la herramienta eléctrica. Si encuentra daños, haga reparar la herramienta eléctrica antes de utilizarla.** Se producen muchos accidentes a causa de las herramientas eléctricas que carecen de un mantenimiento adecuado.
- f) **Mantenga las herramientas de corte afiladas y limpias.** Las herramientas de corte con mantenimiento adecuado y con los bordes de corte afilados son menos propensas a trabarse y son más fáciles de controlar.
- g) **Utilice la herramienta eléctrica, los accesorios y las brocas de la herramienta, etc. de acuerdo con estas instrucciones y teniendo en cuenta las condiciones de trabajo y el trabajo que debe realizarse.** El uso de la herramienta eléctrica para operaciones diferentes de aquéllas para las que fue diseñada podría originar una situación peligrosa.

#### 5) USO Y MANTENIMIENTO DE LA HERRAMIENTA CON BATERÍAS

- a) **Recargue solamente con el cargador especificado por el fabricante.** Un cargador adecuado para un tipo de paquete de baterías puede originar riesgo de incendio si se utiliza con otro paquete de baterías.

- b) **Utilice herramientas eléctricas sólo con paquetes de baterías específicamente diseñados.** El uso de cualquier otro paquete de baterías puede producir riesgo de incendio y lesiones.
- c) **Cuando no utilice el paquete de baterías, manténgalo lejos de otros objetos metálicos como sujetapapeles, monedas, llaves, clavos, tornillos u otros objetos metálicos pequeños que puedan realizar una conexión desde un terminal al otro.** Los cortocircuitos en los terminales de la batería pueden provocar quemaduras o incendio.
- d) **En condiciones abusivas, el líquido puede ser expulsado de la batería. Evite su contacto. Si entra en contacto accidentalmente, enjuague con agua. Si el líquido entra en contacto con los ojos, busque atención médica.** El líquido expulsado de la batería puede provocar irritación o quemaduras.

#### 6) MANTENIMIENTO

- a) **Solicite a una persona calificada en reparaciones que realice el mantenimiento de su herramienta eléctrica y que sólo utilice piezas de repuesto idénticas.** Esto garantizará la seguridad de la herramienta eléctrica.

#### **Instrucciones de seguridad para todas las sierras**

- a) **⚠PELIGRO: Mantenga las manos alejadas del área y de la hoja de corte. Mantenga la otra mano en el mango auxiliar o en la caja del motor.** Si ambas manos están sujetando la sierra, entonces no podrán ser cortadas por la sierra.

- b) **No ponga las manos debajo de la pieza de trabajo.** El protector no puede protegerle de la hoja debajo de la pieza de trabajo.
- c) **Ajuste la profundidad de corte al grosor de la pieza de trabajo.** Menos de un diente completo de los dientes de la hoja debe ser visible debajo de la pieza de trabajo.
- d) **No sujete nunca la pieza que esté cortando en las manos o atravesada sobre una pierna. Sujete firmemente la pieza de trabajo a una plataforma estable.** Es importante soportar apropiadamente la pieza de trabajo para minimizar la exposición del cuerpo, el atasco de la hoja o la pérdida de control.
- e) **Sujete la herramienta mecánica por las superficies de agarre con aislamiento cuando realice una operación en la que la herramienta de corte podría entrar en contacto con cables ocultos.** El contacto con un cable "con corriente" hará que las partes metálicas de la herramienta mecánica que estén al descubierto también "lleven corriente", lo cual causará descargas al operador.
- f) **Cuando corte al hilo, utilice siempre un tope-guía para cortar al hilo o una guía de borde recto.** Esto mejora la precisión del corte y reduce las probabilidades de que la hoja se atasque.
- g) **Utilice siempre hojas que tengan el tamaño correcto y la forma correcta (de diamante frente a redonda) de agujeros para el eje portaherramienta.** Las hojas que no coincidan con los herrajes de montaje de la sierra funcionarán excéntricamente, causando pérdida de control.
- h) **No use nunca arandelas de hoja o un perno de hoja que estén dañados o sean incorrectos.** Las arandelas y el perno de la hoja se diseñaron especialmente para su sierra, con el fin de lograr un rendimiento óptimo y una seguridad óptima de funcionamiento.

## **Instrucciones de seguridad adicionales para todas las sierras**

### **CAUSAS DEL RETROCESO Y SU PREVENCIÓN POR EL OPERADOR:**

- El retroceso es una reacción repentina a una hoja de sierra pellizcada, atascada o desalineada, que hace que una sierra descontrolada se levante y se salga de la pieza de trabajo, hacia el operador.
- Cuando la hoja se pellizca o se atasca fuertemente al cerrarse la sección de corte, la hoja se para y la reacción del motor impulsa la unidad rápidamente hacia atrás, hacia el operador.
- Si la hoja se tuerce o se desalinea en el corte, los dientes ubicados en el borde trasero de la hoja pueden penetrar en la superficie superior de la madera, haciendo que la hoja trepe, se salga de la sección de corte y salte hacia atrás, hacia el operador.

El retroceso es el resultado de un uso inapropiado de la sierra y/o de procedimientos o situaciones de utilización incorrectos y se puede evitar tomando las precauciones apropiadas que se indican a continuación:

- a) **Mantenga un agarre firme con las dos manos en la sierra y posicione los brazos de modo que puedan resistir las fuerzas de retroceso.** Las fuerzas de retroceso pueden ser controladas por el operador, si se toman las precauciones adecuadas.
- b) **Cuando la hoja se esté atascando o cuando se interrumpa un corte por cualquier motivo, suelte el gatillo y sujete la sierra de modo que esté inmóvil en el material hasta que la hoja se detenga por completo. No intente nunca retirar la sierra de la pieza de trabajo ni tirar de la sierra hacia atrás mientras la hoja esté en movimiento o se podría producir retroceso.** Investigue y tome medidas correctivas para eliminar la causa de atasco de la hoja.



- c) **Cuando re arranque una sierra en la pieza de trabajo, centre la hoja de sierra en la sección de corte y asegúrese de que los dientes de la hoja de sierra no estén acoplados en el material.** Si la hoja de sierra se está atascando, podría desplazarse o experimentar retroceso respecto a la pieza de trabajo cuando se arranque la sierra.
- d) **Soporte los paneles grandes para minimizar el riesgo de que la hoja se pellizque y se produzca retroceso.** Los paneles grandes tienden a combarse bajo su propio peso. Se deben colocar soportes debajo del panel a ambos lados, cerca de la línea de corte y cerca del borde del panel.
- e) **No use hojas desafiladas o dañadas.** Las hojas desafiladas o con triscado inapropiado producen una sección de corte estrecha que causa fricción excesiva, atasco de la hoja y retroceso.
- f) **Las palancas de fijación de ajuste de la profundidad y del bisel de la hoja deben estar apretadas y sujetas firmemente antes de realizar el corte.** Si el ajuste de la hoja cambia mientras se realiza el corte, dicho cambio podría causar atasco y retroceso.
- g) **Tenga precaución adicional cuando haga un “corte por penetración” en paredes existentes u otras áreas ciegas.** La hoja que sobresale podría cortar objetos que pueden causar retroceso.

#### INSTRUCCIONES DE SEGURIDAD PARA EL PROTECTOR INFERIOR

- a) **Compruebe el protector inferior para verificar si se cierra apropiadamente antes de cada uso. No utilice la sierra si el protector inferior no se mueve libremente y no se cierra instantáneamente. No sujete nunca con abrazaderas ni amarre el protector inferior en la posición abierta.** Si la sierra se cae accidentalmente, el protector inferior se podría

doblar. Suba el protector inferior con el mango retráctil y asegúrese de que se mueve libremente y no toca la hoja ni ninguna otra pieza, en todos los ángulos y profundidades de corte.

- b) **Compruebe el funcionamiento del resorte del protector inferior. Si el protector y el resorte no están funcionando correctamente, se les debe hacer servicio de ajustes y reparaciones antes de la utilización.** El protector inferior podría funcionar con dificultad debido a que haya piezas dañadas, depósitos gomosos o una acumulación de residuos.
- c) **El protector inferior se debe retraer manualmente sólo para realizar cortes especiales, tales como “cortes por penetración” y “cortes compuestos”.** Suba el protector inferior por el mango retráctil y, en cuanto la hoja entre en el material, se debe soltar el protector inferior. Para todas las demás operaciones de aserrado, el protector inferior debe funcionar automáticamente.
- d) **Asegúrese siempre de que el protector inferior esté cubriendo la hoja antes de dejar la sierra en un banco de trabajo o en el piso.** Una hoja que se esté moviendo por inercia hasta detenerse y no esté protegida hará que la sierra se desplace hacia atrás, cortando todo aquello que esté en su camino. Tenga en cuenta el tiempo que se requiere para que la hoja se detenga después de soltar el interruptor.

#### Instrucciones de seguridad adicionales específicas para sierras circulares

- ▲▲**ADVERTENCIA:** No use discos u hojas abrasivos.
- ▲▲**ADVERTENCIA:** No use accesorios de alimentación de agua.
- **Utilice abrazaderas u otra forma práctica para asegurar y sostener la pieza de trabajo sobre una plataforma estable.**

Sostener el trabajo con la mano o contra el cuerpo no brinda la estabilidad requerida y puede llevar a la pérdida del control.

- **Mantenga el cuerpo de uno u otro lado de la hoja de la sierra, nunca en línea con la misma.** El RETROCESO podría despedir la sierra hacia atrás (vea **Causas del retroceso y su prevención por el operador** y **CONTRAGOLPES**).
- **Las rejillas de ventilación suelen cubrir piezas en movimiento, por lo que se debe evitar el contacto con ellas.** Las piezas en movimiento pueden atrapar prendas de vestir sueltas, joyas o el cabello largo.
- **Evite el corte de clavos.** Revise y retire cualquier clavo antes de cortar una pieza de Madera.

**⚠ADVERTENCIA: USE SIEMPRE LENTES DE SEGURIDAD.** Los anteojos de uso diario NO son lentes de seguridad. Utilice también máscaras faciales o para polvo si el corte produce polvillo. UTILICE SIEMPRE EQUIPOS DE SEGURIDAD CERTIFICADOS:

- Protección para los ojos ANSI Z87.1(CAN/CSA Z94.3),
- Protección auditiva según la norma ANSI S12.6 (S3.19),
- Protección respiratoria según las normas NIOSH/OSHA/MSHA.

**⚠ADVERTENCIA:** Algunas partículas de polvo generadas al lijar, serrar, esmerilar y taladrar con herramientas eléctricas, así como al realizar otras actividades de construcción, contienen químicos que el Estado de California sabe que pueden producir cáncer, defectos congénitos u otras afecciones reproductivas. Ejemplos de estos químicos son:

- plomo de algunas pinturas en base a plomo,
- polvo de sílice proveniente de ladrillos y cemento y otros productos de albañilería, y
- arsénico y cromo provenientes de madera tratada químicamente.

El peligro derivado de estas exposiciones que usted enfrente varía en función de la frecuencia con que se realice este tipo de trabajo. Para reducir la exposición a esas sustancias químicas: trabaje en una zona bien ventilada y llevando equipos de seguridad aprobados, como mascarillas antipolvo especialmente diseñadas para filtrar partículas microscópicas.

- **Evite el contacto prolongado con el polvo procedente del lijado, serrado, esmerilado y taladrado eléctricos, así como de otras actividades del sector de la construcción. Lleve ropa protectora y lave con agua y jabón las zonas expuestas.** Si permite que el polvo se introduzca en la boca u ojos o quede sobre la piel, puede favorecer la absorción de productos químicos peligrosos.

**⚠ADVERTENCIA:** La utilización de esta herramienta puede generar polvo o dispersarlo, lo que podría causar daños graves y permanentes al sistema respiratorio, así como otras lesiones. Siempre use protección respiratoria aprobada por NIOSH (Instituto Nacional de Seguridad y Salud en el Trabajo) u OSHA (Administración de Seguridad y Salud en el Trabajo) apropiada para la exposición al polvo. Dirija las partículas en dirección contraria a la cara y el cuerpo

**⚠ADVERTENCIA: Durante el uso, use SIEMPRE protección auditiva adecuada que cumpla con la norma ANSI S12.6 (S3.19).** Bajo ciertas circunstancias y según el período de uso, el ruido producido por este producto puede contribuir a la pérdida de audición.

**⚠ADVERTENCIA:** Siempre use protección para los ojos. Todos los usuarios y espectadores deben utilizar protección para los ojos que cumpla con la norma ANSI Z87.1.

**⚠ATENCIÓN:** Cuando no se utilice, coloque la sierra circular en una superficie estable, lado del zapato abajo, en la que no provocará tropezones o caídas. Algunas herramientas con paquetes de baterías grandes permanecerán en forma vertical, pero pueden ser derribadas fácilmente.



- La etiqueta de su herramienta puede incluir los siguientes símbolos. Los símbolos y sus definiciones son los siguientes:
- |  |   |
|--|---|
| V..... voltios   | A..... amperios                                 |
| Hz..... hertz  | W..... vatios                                   |
| min ..... minutos  | ~ ..... corriente alterna                       |
| ==== ..... corriente directa                             | ⎓ ..... corriente alterna o directa             |
| ⓘ ..... Construcción Clase I<br>(con conexión a tierra)  | no ..... velocidad sin carga                    |
| Ⓜ ..... Construcción Clase II<br>(con aislamiento doble) | ⊕ ..... terminal a tierra                       |
| ⚠ ..... símbolo de alerta de seguridad                   | .../min..... por minuto                         |
| BPM..... golpes por minuto                               | RPM..... revoluciones o reciprocidad por minuto |
| IPM..... impactos por minuto                             |   |

### **Instrucciones de seguridad importantes para todas las unidades de batería**

Cuando solicite unidades de batería de repuesto, no olvide indicar el número de catálogo y el voltaje. Consulte la tabla al final de este manual para ver la compatibilidad entre cargadores y unidades de batería.

La unidad de batería no viene completamente cargada de fábrica. Antes de usar la unidad de batería y el cargador, lea las siguientes instrucciones de seguridad. Luego, siga los procedimientos de carga indicados.

#### **LEA TODAS LAS INSTRUCCIONES**

- **No cargue o use la unidad de batería en atmósferas explosivas, como en presencia de líquidos, gases o polvos inflamables.** Puede que al insertar o sacar la unidad de batería del cargador se inflamen el polvo o los gases.
- **NUNCA fuerce la unidad de batería para que entre en el cargador. NO modifique la unidad de batería en ninguna forma para que entre en un cargador no compatible, pues puede producir una ruptura en la unidad de batería y causar lesiones corporales graves.** Consulte la tabla al final de este manual para ver la compatibilidad entre baterías y cargadores.
- Cargue las unidades de batería sólo en los cargadores designados por DEWALT.
- **NO** salpique con ni sumerja en agua u otros líquidos.
- **No guarde ni use la herramienta y unidad de batería en lugares donde la temperatura pueda alcanzar o superar los 40 °C (105 °F), tales como cobertizos o construcciones de metal durante el verano.** Almacene las unidades de batería en lugares frescos y secos para maximizar su vida útil.  
**NOTA: No almacene las unidades de batería en la herramienta con el interruptor de gatillo en posición encendida fija. Nunca use cinta adhesiva para mantener el interruptor de gatillo en posición ENCENDIDA.**
- **⚠ADVERTENCIA: Peligro de incendio.** Nunca intente abrir la unidad de batería por ningún motivo. Si la caja exterior de la unidad de batería se triza o daña, no la introduzca en el cargador. No triture, deje caer o dañe la unidad de batería. No use una unidad de batería o un cargador que haya sido golpeado, dejado caer, atropellado o dañado en cualquier forma (por ejemplo, perforado por un clavo, golpeado con un martillo, pisado). Lleve sus unidades de batería dañadas al centro de servicio para que sean recicladas.
- **⚠ADVERTENCIA: Peligro de incendio. No guarde ni transporte la unidad de batería de manera que objetos metálicos puedan hacer contacto con los terminales expuestos de la batería.** Por ejemplo, no ponga la unidad de batería en delantales, bolsillos, cajas de herramientas, estuches de productos, cajones, etc., junto con clavos, tornillos, llaves, etc., sueltos. **El transporte de baterías**

**puede causar incendios si sus terminales inadvertidamente entran en contacto con materiales conductores como llaves, monedas, herramientas de mano y otros por el estilo.** El Reglamento sobre Materiales Peligrosos (HMR) del Ministerio de Transporte de los Estados Unidos actualmente prohíbe el transporte de baterías en el comercio o en aviones (por ejemplo, embaladas en maletas y maletines de mano) A NO SER que estén debidamente protegidas para prevenir cortocircuitos. Por lo tanto, cuando transporte unidades de batería individuales, asegúrese de que sus terminales estén protegidos y debidamente aislados de materiales que pudieran entrar en contacto con ellos y causar un cortocircuito.

#### **INSTRUCCIONES DE SEGURIDAD ESPECÍFICAS PARA BATERÍAS DE IONES DE LITIO (Li-Ion)**

- **NO incinere la unidad de batería, aunque esté completamente dañada o descargada. La unidad de batería puede explotar si se quema.** Cuando se queman unidades de batería de iones de litio, se producen gases y materiales tóxicos.
- **Si el contenido de la batería entra en contacto con la piel, lave el área de inmediato con agua y un jabón suave.** Si el líquido de la batería entra en contacto con sus ojos, enjuáguelos con agua y los ojos abiertos por 15 minutos o hasta que cese la irritación. Si se requiere de asistencia médica, el electrolito de la batería está compuesto por una mezcla de carbonatos orgánicos líquidos y sales de litio.
- **El contenido de los elementos abiertos de la batería puede causar irritación en el tracto respiratorio.** Salga al aire fresco. Si los síntomas persisten, busque asistencia médica.

**⚠ADVERTENCIA:** Peligro de quemaduras. El líquido de la batería puede ser inflamable si se expone a chispas o llamas.

#### **El sello RBRC™**

El sello RBRC™ (Rechargeable Battery Recycling Corporation) en las baterías (o unidades de batería) de níquel cadmio, níquel e hidruro metálico o de iones de litio indica que el costo de reciclaje de estas baterías (o unidades de batería) al llegar al final de su vida de servicio ya ha sido pagado por DEWALT. En algunas áreas, es ilegal depositar baterías de níquel cadmio, níquel e hidruro metálico o de iones de litio gastadas en la basura o la corriente de residuos sólidos urbanos; el programa RBRC proporciona una alternativa ecológica. RBRC™, en cooperación con DEWALT y otros usuarios de baterías, han establecido programas en los Estados Unidos y Canadá para facilitar la recolección de baterías de níquel cadmio, níquel e hidruro metálico o de iones de litio gastadas. Al llevar sus baterías de níquel cadmio, níquel e hidruro metálico y de iones de litio gastadas a un centro de servicio autorizado por DEWALT o al minorista local para que sean recicladas, ayuda a proteger el medio ambiente y a conservar recursos naturales. También puede comunicarse con el centro de reciclaje de su localidad para mayor información sobre dónde llevar sus baterías gastadas.

RBRC™ es una marca comercial registrada de *Rechargeable Battery Recycling Corporation*.



#### **Instrucciones importantes de seguridad para todos los cargadores de baterías**

**GUARDE ESTAS INSTRUCCIONES:** Este manual contiene instrucciones de seguridad y operación importantes para los cargadores de baterías.

- *Antes de usar el cargador, lea todas las instrucciones y advertencias que se encuentren en el cargador, la unidad de batería y el producto que usa la unidad de batería.*



**⚠ADVERTENCIA:** Peligro de descarga eléctrica. No permita que ningún líquido se introduzca en el cargador. Puede producir descargas eléctricas.

**⚠ATENCIÓN:** Peligro de quemaduras. Para reducir el riesgo de lesiones, sólo cargue unidades de batería recargables marca DEWALT. Otros tipos de batería podrían sobrecalentarse y reventar lo que podría resultar en lesiones corporales y daños a su propiedad.

**AVISO:** Bajo ciertas condiciones, cuando el cargador está enchufado a una toma de corriente, el cargador puede hacer cortocircuito si entra en contacto con algún material ajeno. Los materiales ajenos de naturaleza conductora, como el polvo de esmerilado, las placas de metal, la lana de acero, el papel de aluminio y otros, o cualquier acumulación de partículas metálicas deberían mantenerse alejados de las cavidades del cargador. Desenchufe siempre el cargador cuando no haya una unidad de batería en su cavidad. Desenchufe el cargador antes de intentar limpiarlo.

- **NO intente cargar la unidad de batería con otros cargadores que no sean los descritos en este manual.** El cargador y la unidad de batería fueron específicamente diseñados para trabajar en conjunto.
- **Estos cargadores no fueron diseñados para ser utilizados para más que cargar las baterías recargables DEWALT.** Cualquier otro uso puede producir riesgo de incendios, descargas eléctricas o electrocución.
- **No exponga el cargador a la lluvia o a la nieve.**
- **Tire del enchufe y no del cable cuando desconecte el cargador.** De esta forma se reduce el riesgo de daño al enchufe y cable.
- **Asegúrese de que el cable no sea ubicado de manera que podría ser pisado, causar que alguien tropiece con él o ser expuesto a otro tipo de daños y desgastes.**

- **No use un alargador a menos que sea absolutamente necesario.** El uso de un alargador incorrecto podría producir riesgo de incendios, descargas eléctricas o electrocución.
- **Cuando opere un cargador al exterior, hágalo siempre en un lugar seco y use un alargador apropiado para uso al exterior.** El uso de un alargador apropiado para uso al exterior reduce el riesgo de descarga eléctrica.
- **Los hilos del alargador deben ser de un calibre apropiado (AWG o American Wire Gauge) para su seguridad.** Mientras menor sea el calibre del hilo, mayor la capacidad del cable. Es decir, un hilo calibre 16 tiene mayor capacidad que uno de 18. Un cable de un calibre insuficiente causará una caída en la tensión de la línea dando por resultado una pérdida de energía y sobrecalentamiento. Cuando se utilice más de un alargador para completar el largo total, asegúrese que los hilos de cada alargador tengan el calibre mínimo. La tabla siguiente muestra el tamaño correcto a utilizar, dependiendo de la longitud del cable y del amperaje nominal de la placa de identificación. Si tiene dudas sobre cuál calibre usar, use un calibre mayor. Cuanto menor sea el número del calibre, más resistente será el cable.

Calibre mínimo para juegos de cables						
Capacidad nominal en amperios		Voltios	Largo total del cable en metros (en pies)			
			7,6 (25)	15,2 (50)	30,5 (100)	45,7 (150)
		120V	15,2 (50)	30,5 (100)	61,0 (200)	91,4 (300)
240V	AWG					
Desde	Hasta					
0	6		18	16	16	14
6	10		18	16	14	12
10	12		16	16	14	12
12	16		14	12	No recomendado	

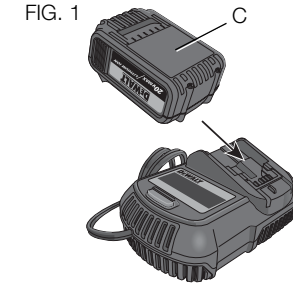
- **No coloque ningún objeto encima del cargador ni coloque a este sobre una superficie blanda que pudiera bloquear las ranuras de ventilación y resultar en un calor interno excesivo.** Coloque el cargador en un lugar alejado de cualquier fuente de calor. El cargador se ventila a través de las ranuras que se encuentran en la parte superior e inferior de la caja protectora.
- **No opere el cargador si su cable o enchufe están dañados.**
- **No opere el cargador si ha recibido un golpe agudo, si se ha caído o si ha sido dañado de alguna otra forma.** Llévelo a un centro de servicio autorizado.
- **No desarme el cargador; llévelo a un centro de servicio autorizado cuando deba ser reparado.** Si es reensamblado incorrectamente, puede causar descargas eléctricas, electrocución o incendios.
- **Desenchufe el cargador antes de intentar limpiarlo. Esto reducirá el riesgo de descargas eléctricas.** El retirar el paquete de baterías no reducirá este riesgo.
- **NUNCA** intente conectar 2 cargadores entre sí.
- **El cargador está diseñado para operar con una corriente eléctrica estándar residencial de 120 V. No intente usarlo con ningún otro voltaje.** Esto no aplica al cargador vehicular.

## Cargadores

Su herramienta utiliza un cargador DEWALT. Asegúrese de leer todas las instrucciones de seguridad antes de utilizar su cargador. Consulte el gráfico al final del manual para conocer la compatibilidad entre los cargadores y los paquetes de baterías.

## Procedimiento de carga (Fig. 1)

1. Enchufe el cargador en una toma de corriente apropiada antes de insertar la unidad de batería.
2. Inserte la unidad de batería (C) en el cargador, como se muestra en la Fig. 1, comprobando que quede bien colocado dentro del mismo. La luz roja (de carga) parpadeará continuamente para indicar que se ha iniciado el proceso de carga.



3. La luz roja se quedará ENCENDIDA continuamente cuando se haya completado el proceso de carga. La unidad estará entonces completamente cargada y podrá ser utilizada de inmediato o dejarse en el cargador.

## Operación de la luz indicadora

	UNIDAD EN PROCESO DE CARGA	— — — — —
	UNIDAD CARGADA	—————
	RETRASO POR UNIDAD CALIENTE/FRIA	— • — • — • — • — •
	UNIDAD O CARGADOR CON PROBLEMAS	••••••••••••••••••
	LÍNEA DE ALIMENTACIÓN CON PROBLEMAS	•• •• •• •• ••



### **Indicadores de carga**

Este cargador ha sido diseñado para detectar ciertos problemas que pudieran surgir. Estos problemas se indican mediante una luz roja intermitente rápida. Si esto ocurre, vuelva a colocar la unidad de batería en el cargador. Si el problema persiste, pruebe con otra unidad de batería para determinar si el cargador está funcionando debidamente. Si la segunda unidad de batería carga correctamente, significa que la primera está fallada y debería ser llevada a un centro de servicio u otro lugar de colección para su reciclaje. Si la segunda unidad de batería hace que el cargador indique el mismo problema que la primera, lleve el cargador y la unidad de batería a un centro de servicio autorizado para su examinación.

### **RETARDO POR UNIDAD CALIENTE/FRÍA**

Este cargador tiene una función de retardo por unidad caliente/fría: cuando el cargador detecta una batería caliente, inmediatamente empieza un retardo por unidad caliente y suspende la carga hasta que la batería se haya enfriado. Una vez enfriada la batería, el cargador pasará automáticamente a la modalidad de carga de la unidad. Esta función asegura la máxima duración de su batería. La luz roja parpadeará a intervalos largos, luego cortos cuando esté en modalidad de retardo por unidad caliente/fría.

### **PERMANENCIA DE LA UNIDAD DE BATERÍA EN EL CARGADOR**

El cargador y la unidad de batería pueden dejarse conectados con la luz del cargador indicando que la unidad está cargada.

**UNIDADES DE BATERÍA DESGASTADAS:** Las baterías desgastadas seguirán funcionando pero no debe esperarse que tengan capacidad para la misma cantidad de trabajo.

**UNIDADES DE BATERÍA DEFECTUOSAS:** Este cargador no cargará una unidad de batería defectuosa. El cargador indicará que la unidad de batería es defectuosa al no iluminarse o al indicar que existe un problema con la unidad o el cargador.

**NOTA:** Esto también puede significar que hay un problema con el cargador.

### **LÍNEA DE ALIMENTACIÓN CON PROBLEMAS**

Algunos cargadores tienen un indicador de Línea de alimentación con problemas. Cuando el cargador se utiliza con algunas fuentes de alimentación portátiles, como generadores o fuentes que convierten CC a CA, el cargador puede suspender temporalmente el funcionamiento, ocasión en la que la luz roja se encenderá y apagará rápidamente dos veces, seguido de una pausa. Esto indica que la fuente de alimentación está fuera de los límites.

### **Notas importantes sobre la carga**

1. Se puede obtener una mayor duración y un mejor rendimiento si la unidad de batería se carga a una temperatura ambiente de 18–24 °C (65–75 °F). NO cargue la unidad de batería a una temperatura ambiental inferior a +4.5 °C (+40 °F) o superior a +40.5 °C (+105 °F). Esto es importante y evitará causar daños graves a la batería.
2. Puede que el cargador y la unidad de batería se calienten ligeramente durante el proceso de carga. Esto es normal y no representa ningún problema. Para facilitar el enfriamiento de la unidad de batería después del uso, evite colocar el cargador o la unidad de batería en un lugar cálido, como un cobertizo metálico o un remolque sin aislamiento térmico.
3. Una unidad de batería fría se demora el doble del tiempo en cargarse que una unidad de batería caliente. La unidad de batería se cargará a ese ritmo más lento durante todo el ciclo de carga y no volverá a cargarse a la velocidad de carga máxima aún cuando la unidad de batería se caliente.

4. Si la unidad de batería no se carga correctamente:
  - a. Verifique el funcionamiento de la toma enchufando una lámpara u otro aparato;
  - b. Revise que la toma de corriente no esté conectada a un interruptor de luz que corte la corriente cuando se corte la luz;
  - c. Mueva el cargador y la unidad de batería a un lugar donde la temperatura ambiental sea aproximadamente 18–24 °C (65–75 °F);
  - d. Si el problema de carga continúa, lleve la herramienta, unidad de batería y el cargador a su centro de servicio local.
5. La unidad de batería debería ser recargada cuando no sea capaz de producir suficiente potencia para trabajos que eran fácilmente realizados antes. NO CONTINÚE usándola bajo estas circunstancias. Siga el procedimiento de carga. También puede cargar una unidad de batería que haya sido usada parcialmente cuando lo desee, sin dañarla.
6. Los materiales ajenos conductores por naturaleza, tales como, pero sin limitarse a, el polvo del esmerilado, las virutas metálicas, la lana de acero, el papel de aluminio o cualquier acumulación de partículas metálicas deberían mantenerse alejados de las cavidades del cargador. Desenchufe siempre el cargador de la toma de corriente cuando no haya una unidad de batería en su cavidad. Desenchufe el cargador antes de intentar limpiarlo.
7. No congele ni sumerja el cargador en agua o cualquier otro líquido.

**⚠ADVERTENCIA:** Peligro de descarga eléctrica. No permita que ningún líquido se introduzca en el cargador. Puede producir descargas eléctricas.

**⚠ADVERTENCIA:** Peligro de quemaduras. No sumerja la unidad de batería en líquido de ningún tipo ni permita que se introduzca ningún tipo de líquido a la unidad de batería. Nunca intente abrir la unidad de batería por ningún motivo. Si la caja plástica de la unidad de batería se triza o rompe, llévela a un centro de servicio para su reciclaje

### **Recomendaciones de almacenamiento**

1. El mejor lugar de almacenamiento es uno que sea fresco y seco, lejos de la luz solar directa y del exceso de calor o frío.
2. Para resultados óptimos durante tiempos prolongados de almacenamiento, se recomienda almacenar la unidad de batería completamente cargada en un lugar fresco y seco fuera del cargador.

**NOTA:** Las unidades de batería no deberían almacenarse completamente descargadas. La unidad de batería deberá recargarse antes de ser usada.

### **GUARDE ESTAS INSTRUCCIONES PARA VOLVER A CONSULTAR EN EL FUTURO**

### **COMPONENTES**

**⚠ADVERTENCIA:** Nunca modifique la herramienta eléctrica, ni tampoco ninguna de sus piezas. podría producir lesiones corporales o daños.

Por favor remítase a la parte delantera de esta sección para ver una lista de partes.

### **USO DEBIDO**

Esta sierra circular para trabajos pesados fue diseñada para aplicaciones de corte profesional de madera.

**NO** debe usarse en condiciones húmedas ni en presencia de líquidos o gases inflamables.

**NO** permita que los niños toquen la herramienta. El uso de esta herramienta por parte de operadores inexpertos requiere supervisión.



## OPERACIÓN

**⚠ADVERTENCIA:** Para reducir el riesgo de lesiones personales graves, apague la herramienta y desconéctela de la fuente de energía antes de realizar ajustes o de retirar o instalar cualquier dispositivo o accesorio. Un arranque accidental podría causar lesiones.

### Cómo instalar y retirar la unidad de batería (Fig. 2)

**NOTA:** Para mejores resultados, verifique que su unidad de batería esté completamente cargada.

Para instalar la unidad de batería (C) en el mango de la herramienta, alinee la unidad de batería con los rieles en el interior del mango de la herramienta y deslícela en el mango hasta que la unidad de batería quede firmemente insertada en la herramienta; verifique que ésta no se salga sola.

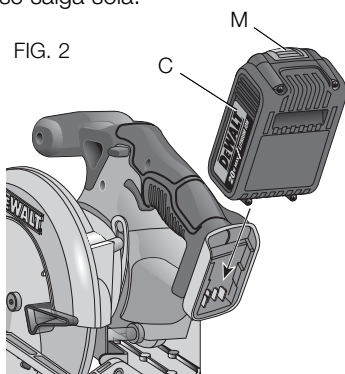
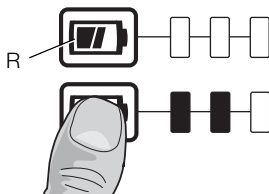


FIG. 2A



Para retirar la unidad de batería de la herramienta, presione los botones de liberación (M) y tire firmemente de la unidad de batería para sacarla del mango de la herramienta. Insértela en el cargador tal como se describe en la sección del cargador de este manual.

### UNIDADES DE ALIMENTACIÓN CON INDICADOR DE CARGA (FIG. 2A)

Algunas unidades de alimentación DEWALT incluyen un indicador de carga que consiste de tres luces LED verdes que indican el nivel de carga que queda en la unidad de alimentación.

Para activar el indicador de carga, presione y sostenga el botón del indicador (R). Se iluminará una combinación de las tres luces LED verdes, que indicará el nivel de carga que queda. Cuando el nivel de carga esté por debajo del nivel útil, el indicador no se iluminará, y la batería deberá recargarse.

**NOTA:** El indicador de carga es sólo eso: un indicador de la carga de la unidad de alimentación. No indica el nivel de funcionalidad de la herramienta y puede variar de acuerdo a las piezas del producto, la temperatura y la aplicación que el usuario le dé.

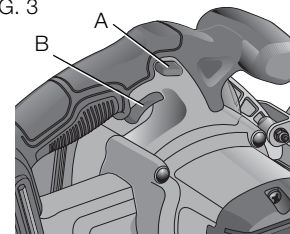
Para mayor información sobre unidades de batería con indicadores de carga, por favor llame al 1-800-4-DEWALT (1-800-433-9258) o visite nuestro sitio Web: [www.dewalt.com](http://www.dewalt.com).

### Interruptor tipo gatillo (Fig. 3)

**⚠ADVERTENCIA:** Esta herramienta no se ha diseñado para permitir el bloqueo del interruptor tipo gatillo en la posición de encendido y nunca debe intentar bloquearse en dicha posición.

Suelte el botón de bloqueo del interruptor tipo gatillo (A)

FIG. 3



Español

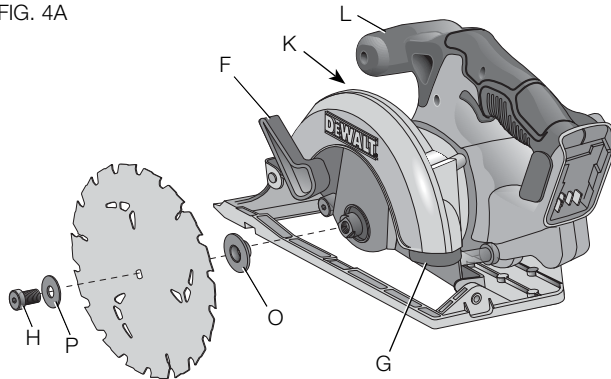
presionando el botón de la siguiente manera. Tire del interruptor tipo gatillo (B) para encender el motor. Suelte el interruptor tipo gatillo para apagar el motor.

### **Cambio de hojas (Fig 4, 5)**

#### **PARA INSTALAR LA HOJA (FIG. 4, 5)**

1. Coloque la arandela de fijación interior (O) en el eje de la sierra con la superficie grande y plana mirando hacia la parte de afuera de la hoja (Fig. 4A, 4B).

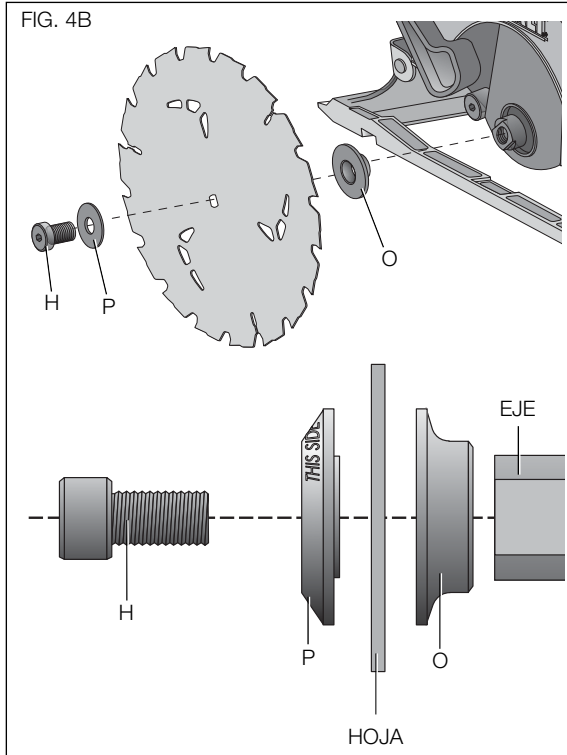
FIG. 4A



2. Repliegue el protector inferior de la hoja (G) y ponga la hoja en el eje de la sierra contra la arandela de fijación interior, asegurando que la hoja rote en la dirección correcta (la flecha de rotación en la hoja y los dientes de la sierra debe apuntar en la misma dirección que la flecha de rotación del protector inferior de la hoja). No suponga que la parte impresa de la hoja tenga que estar mirando hacia afuera cuando esté debidamente instalada. Cuando repliegue el protector inferior de la hoja para instalar la hoja, revise la condición

y operación del protector inferior de la hoja para asegurar que esté funcionando bien. Asegúrese que se mueva libremente y que no toque la hoja ni cualquiera otra parte de la sierra, en todos los ángulos y profundidades de corte.

FIG. 4B

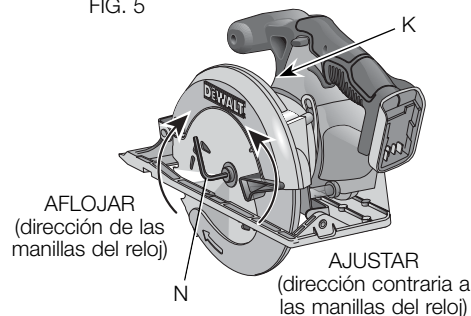




3. Coloque la arandela de fijación exterior (P) en el eje de la sierra con la superficie grande y plana contra la hoja con el lado biselado hacia afuera.
4. Inserte el tornillo de fijación de la hoja (H) en el eje de la sierra con la mano (el tornillo tiene hilos en dirección siniestra y debe ser girado en dirección contraria a las manillas del reloj para ser ajustado).
5. Presione el botón de bloqueo de la hoja (K) mientras rota el huso de la sierra con la llave de la hoja (N) hasta que el bloqueo de la hoja se active y la hoja deje de rotar (Fig. 5).
6. Ajuste bien el tornillo de fijación de la hoja con la llave de la hoja.

**NOTA:** Nunca enganche el dispositivo de bloqueo de la hoja con la sierra andando ni trate de bloquear la hoja para detener la herramienta. Nunca encienda la sierra mientras el bloqueo de la hoja esté enganchado. Podría resultar en serios daños a su sierra.

FIG. 5



#### PARA CAMBIAR LA HOJA (FIG. 4, 5)

1. Para aflojar el tornillo de fijación de la hoja (H), presione el botón de bloqueo de la hoja (K) y rote el huso de la sierra con la llave de la hoja (N) hasta que el bloqueo de la hoja se active y la hoja deje

de rotar. Cuando se active el bloqueo de la hoja, rote el tornillo de fijación de la hoja en la dirección de las manillas del reloj con la llave de la hoja (el tornillo tiene un hilo inverso y debe ser rotado en la dirección de las manillas del reloj para aflojarse).

2. Quite sólo el tornillo de fijación de la hoja (H) y la arandela de fijación exterior (P). Quite la hoja vieja.
3. Limpie el aserrín que se haya acumulado en el protector o el área de la arandela de fijación y revise la condición y funcionamiento del protector inferior de la hoja como se describe más arriba. No lubrique esta área.
4. Seleccione la hoja correcta para la aplicación (vea **Hojas**). Siempre use hojas que sean del tamaño correcto (diámetro) con el orificio central del tamaño y la forma apropiados para el montaje en el eje de la sierra. Siempre asegure que la hoja de la sierra alcance o supere la velocidad máxima recomendada (rpm) de la sierra.
5. Siga los pasos 2 a 6 bajo **Para instalar la hoja**, asegurándose que la hoja gire en la dirección correcta.

#### PROTECTOR INFERIOR DE LA HOJA

**⚠ADVERTENCIA:** El protector inferior de la hoja es una característica de seguridad que reduce el riesgo de lesiones corporales graves. Nunca use la sierra si el protector inferior de la hoja no se encuentra en la sierra, si está dañado, mal ensamblado o si no funciona debidamente. No dependa del protector inferior de la hoja para protegerlo en cualquier circunstancia. Su seguridad depende de las siguientes advertencias y precauciones, como también de la operación debida de la sierra. Revise el protector inferior de la hoja para ver la manera debida de cerrarla antes de cada uso como se describe en Instrucciones de seguridad adicionales para todas las sierras. Si el protector inferior de la hoja no se encuentra en la sierra, repárela antes de usarla otra vez. Para garantizar la seguridad y confiabilidad del producto, las

**reparaciones, el mantenimiento y el ajuste deben realizarlos los centros de servicio autorizados u otras organizaciones de servicio calificadas, usando siempre repuestos idénticos.**

## Hojas

**⚠️ADVERTENCIA:** Para minimizar el riesgo de lesiones oculares, siempre use protección ocular. El carburo es un material duro pero quebradizo. Si topa con objetos extraños en la pieza de trabajo, tales como alambres o clavos, podría cuartear o quebrar las puntas. Sólo opere la sierra cuando el protector de la hoja esté en su lugar debido. Monte la hoja en forma segura y asegúrese de que rote en la dirección debida antes de usar la sierra y siempre use una hoja limpia y afilada.

**⚠️ADVERTENCIA:** No use esta sierra para cortar metales ferrosos (acero), mampostería, vidrio, u otro tipo de mampostería similar al entarimado, tablas de cemento o baldosas.

No use discos u hojas abrasivos. Una hoja roma produce cortes ineficientes y lentos, sobrecarga el motor de la sierra, astilla excesivamente la madera, y puede aumentar la posibilidad de rebote. Remítase a la tabla de más abajo para determinar cuál es el tamaño de hoja de repuesto correcto para su modelo de sierra.

Hoja	Diámetro	Dientes	Aplicación
DW9155	165 mm (6-1/2")	18	Cortes generales
DW9154	165 mm (6-1/2")	24	Cortes suaves en madera
DW9153	165 mm (6-1/2")	90	No-carburo, cortes en contrachapado/vinilo

Si necesita ayuda en el uso de las hojas por favor llame al 1-800-4-DEWALT (1-800-433-9258).

## CONTRAGOLPES

El retroceso es una reacción repentina a una hoja de sierra pellizcada, atascada o desalineada, que hace que una sierra descontrolada se

levante y se salga de la pieza de trabajo, hacia el operador. Cuando la hoja se pellizca o se atasca fuertemente al cerrarse la sección de corte, la hoja se para y la reacción del motor impulsa la unidad rápidamente hacia atrás, hacia el operador. Si la hoja se tuerce o se desalinea en el corte, los dientes ubicados en el borde trasero de la hoja pueden penetrar en la superficie superior de la madera, haciendo que la hoja trepe, se salga de la sección de corte y salte hacia atrás, hacia el operador.

Suelen ocurrir contragolpes cuando se presentan alguna o algunas de las siguientes condiciones:

### 1. SOPORTE INADECUADO DE LA PIEZA DE TRABAJO

- Caída o levantamiento inadecuado de la pieza que se desprende, lo que hace que el disco quede atrapado (Fig. 12).
- Cortes en material que sólo se apoya por los extremos (Fig. 12). Al tiempo que el material se debilita, éste se pandea y cierra el canal de corte, lo que ocasiona que el disco quede atrapado.
- Corte desde la parte inferior de piezas voladas en dirección vertical. La pieza que caerá podría trabar el disco.
- Corte de tiras largas y angostas (como en cortes al hilo). La pieza que se separa puede trabar el disco.
- Sujetar la guarda inferior con una superficie que se encuentre por debajo del material que se está cortando, lo que reduce por un momento el control del operador. La sierra se puede levantar parcialmente del corte, lo que incrementará la posibilidad de un atorón del disco.

### 2. AJUSTE INCORRECTO DE LA PROFUNDIDAD DE CORTE EN LA SIERRA

Para hacer el corte más eficiente, la hoja no debe sobresalir más de lo necesario para exponer la mitad de uno de sus dientes, como lo muestra la Figura 7. Esto permite que la base soporte la hoja y minimiza la torsión o el enganche del material. Vea la sección encabezada **Ajuste de la profundidad del corte**.



### 3. DOBLECES EN EL DISCO (DESVIACIONES EN EL CORTE)

- A. Empujar demasiado para cortar a través de un nudo, un clavo o un área de fibras duras puede ocasionar que el disco se doble.
- B. Tratar de girar la sierra durante un corte (tratar de regresar a la línea marcada) puede causar doblez.
- C. Se corren los mismo peligros al tratar de alcanzar zonas alejadas u operar la sierra con poco control del operador (fuera de balance).
- D. Se propicia el mismo riesgo al cambiar de mano o cambiar la posición del cuerpo mientras se corta.
- E. También podría suceder así al regresar la unidad para limpiar el disco.

### 4. MATERIALES QUE REQUIEREN DE MAYOR ATENCION

- A. Madera húmeda.
- B. Madera verde (material cortado recientemente o no estufado).
- C. Madera tratada a presión (material tratado con conservadores o anticorrosivos).

### 5. EMPLEO DE DISCOS SUCIOS O SIN FILO

Los discos sucios o mellados ocasionan carga excesiva en la sierra. Para compensar la carga, el operador empujará normalmente con más fuerza, lo que incrementará la carga aún más y propiciará que el disco se trabe en el canal de corte. Los discos desgastados pueden tener también una luz menor, lo que aumentará la oportunidad de que el disco se doble e incrementará la carga.

### 6. LEVANTAR LA SIERRA MIENTRAS SE HACEN CORTES A BISEL

Los cortes a bisel requieren que el operador preste atención especial a las técnicas de corte adecuadas sobre todo a la conducción de la sierra. El ángulo del disco contra la zapata y la

gran superficie de la cara del disco expuesta al material aumentan las posibilidades de que ocurran desviaciones.

### 7. REINICIACION DE UN CORTE CON LOS DIENTES DEL DISCO BLOQUEADOS POR EL MATERIAL

Debe permitirse que la sierra alcance su velocidad máxima antes de iniciar un corte después que la unidad se ha detenido con el disco en el canal de corte. No hacerlo así causará que la sierra se atasque y ocurra contragolpe.

Cualquier otra condición que podría producir el enganche, el trabado, la torsión o el desalineamiento de la hoja podría causar rebote. Remítase a las secciones **Instrucciones de seguridad adicionales para todas las sierras** y a **Hojas** para ver los procedimientos y las técnicas que minimizarán la ocurrencia de rebote.

### **Ajuste de profundidad del corte (Fig. 6, 7)**

1. Sostenga la sierra firmemente y afloje (en dirección a las manillas del reloj) el botón de ajuste de profundidad (D) y desplace la base de la sierra para obtener la profundidad de corte deseada.
2. Asegúrese que el botón de ajuste de profundidad se haya vuelto a ajustar (en dirección contraria a las manillas del reloj) antes de usar la sierra.

Para obtener el corte más eficiente, fije el ajuste de profundidad de modo que la mitad de un diente de la hoja se proyecte por debajo del material a cortar. Esta distancia se mide desde la punta del diente hasta la parte inferior de la hendidura que sigue a ese diente. Esto reduce al mínimo la fricción de la hoja, despeja el aserrín del corte y resulta en un aserrado más frío y rápido, y reduce la posibilidad de rebote. Un método para revisar la profundidad correcta del corte aparece en la Figura 7. Recueste una pieza del material que piensa cortar a lo largo de la hoja, como aparece, y observe cuánto sobresale el diente más allá del material.

FIG. 6

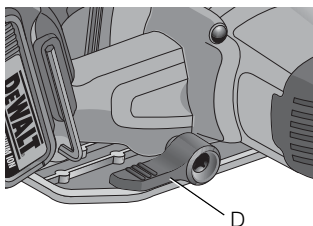
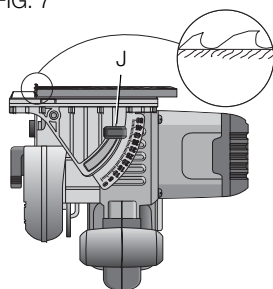


FIG. 7



### Ajuste del ángulo de bisel (Fig. 7)

El rango completo de ajuste de biselado es de 0° a 50°. El cuadrante se gradúa en incrementos de 1°. Frente a la sierra hay un mecanismo de ajuste del ángulo de biselado que consiste de un cuadrante calibrado y de un botón de ajuste de biselado (J).

#### PARA CONFIGURAR LA SIERRA PARA UN CORTE BISELADO

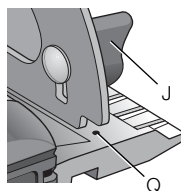
1. Afloje (en dirección contraria a las manillas del reloj) el botón de ajuste de bisel (J) e incline la base de la sierra al ángulo deseado, alineando la punta con la marca del ángulo deseado.
2. Vuelva a ajustar el botón (en dirección de las manillas del reloj).

### Ajuste a la base para cortes de 90° (Fig. 8)

#### SI SE NECESITA HACER AJUSTES ADICIONALES:

1. Ajuste la sierra a un bisel de 0°.
2. Retracte el protector inferior de la hoja. Coloque la sierra en el lado de la hoja.

FIG. 8

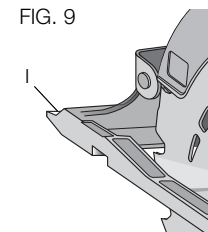


3. Afloje el botón de ajuste del bisel (J). Coloque una escuadra contra la hoja y la base para ajustar la configuración de 90°.
4. Gire el tornillo de calibrado (Q) de modo que la base se detenga en el ángulo correcto.
5. Revise la rectitud de un corte real en un pedazo de desecho del material para confirmar la precisión de la configuración.

### Indicador de la vía del corte (Fig. 9)

La parte delantera de la base de la sierra tiene un indicador de la vía de corte (I) para cortes verticales y biselados. Este indicador le permite guiar la sierra a lo largo de líneas de corte marcadas con lápiz en el material a cortar. El indicador de la vía de corte se alinea con el lado izquierdo (exterior) de la hoja de la sierra, el que hace que la ranura o línea cortada por la hoja en movimiento caiga a la derecha del indicador. Guíe la sierra por la línea de corte marcada con lápiz de modo que la línea de corte caiga a la pila de material de desecho.

FIG. 9



### Soporte de la pieza de trabajo (Fig. 10-12)

**⚠ADVERTENCIA:** Es importante soportar bien la pieza de trabajo y sostener firmemente la sierra para evitar que se pierda el control lo cual podría resultar en lesiones personales. La Figura 10 ilustra la forma correcta de sostener la sierra con la mano. Sosténgala firmemente y con ambas manos y sitúe su cuerpo y brazo de modo que podría resistir la fuerza del rebote si ocurriese. ¡SIEMPRE APAGUE LA HERRAMIENTA Y DESCONECTE LA UNIDAD DE ALIMENTACIÓN ANTES DE HACER CUALQUIER AJUSTE!

FIG. 10

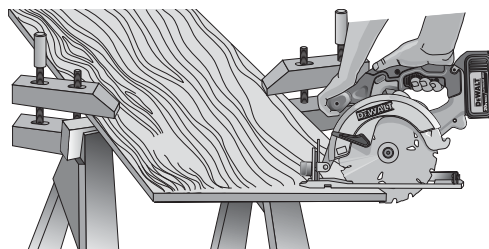


FIG. 11

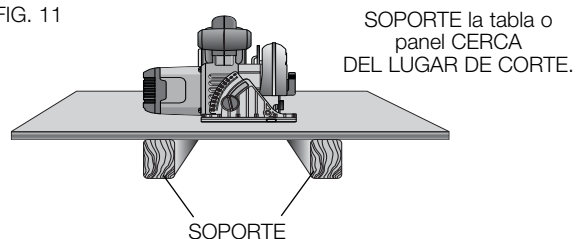
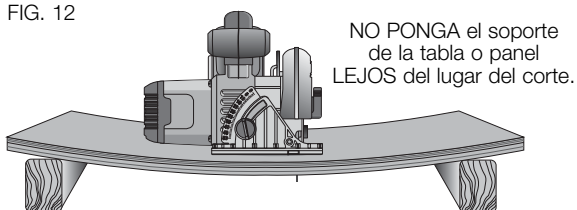


FIG. 12



La Figura 10 ilustra la posición correcta de serrado. Fijese que las manos se mantienen alejadas del área de corte. **Para evitar rebote,** SOPORTE la tabla o el panel CERCA del corte (Fig. 11). NO soporte la tabla o el panel lejos del corte (Fig. 12).

Ponga la pieza de trabajo con el lado "bueno" – el que se verá – hacia abajo. La sierra corta hacia arriba por lo que el astillado quedará en el lado que está hacia arriba en el momento del corte.

### **Corte (Fig. 10)**

Ponga la parte más ancha de la base de la sierra en la parte de la pieza de trabajo que está soportada y no en la sección que se caerá cuando haga el corte. La Figura 10 ilustra la forma CORRECTA de cortar el extremo de una tabla. Siempre use abrazaderas para fijar el material. ¡No intente sujetar piezas más cortas con la mano! Recuerde soportar material sobresaliente. Use precaución cuando corte el material desde abajo.

Asegúrese que la sierra esté funcionando a toda velocidad antes de que la hoja entre en contacto con el material a cortar. El arrancar la sierra con la hoja contra el material a ser cortado o presionada en la vía del corte puede resultar en rebote. Empuje la sierra hacia adelante a una velocidad que permita que la hoja corte sin mucho esfuerzo.

El grado de dureza puede variar aun en la misma pieza de material y algunas secciones con más nudos o húmedas pueden ser más difíciles de cortar que otras. Cuando esto suceda, empuje la sierra más lentamente pero con suficiente fuerza para que siga funcionando sin disminuir mucho la velocidad. Si fuerza la sierra puede causar cortes toscos, no precisos, rebotes y sobrecalentamiento del motor.



Si su corte comienza a salirse de la línea, no trate de regresarlo a la línea a la fuerza. Suelte el interruptor tipo gatillo y permita que la hoja se detenga por completo. Luego retire la sierra, vuelva a guiarla y comience un nuevo corte ligeramente por dentro del corte con el que se equivocó. Retire la sierra si debe cambiar la dirección de corte. Si a la fuerza trata de corregir por dentro del corte, la sierra puede trabarse y rebotar.

SI LA SIERRA SE TRABA, SUELTE EL INTERRUPTOR TIPO GATILLO Y RETROCEDA CON LA SIERRA HASTA QUE SE SUELTE. VERIFIQUE QUE LA HOJA ESTÉ DERECHA EN EL CORTE Y ALEJADA DEL BORDE DE CORTE ANTES DE VOLVER A ARRANCARLA.

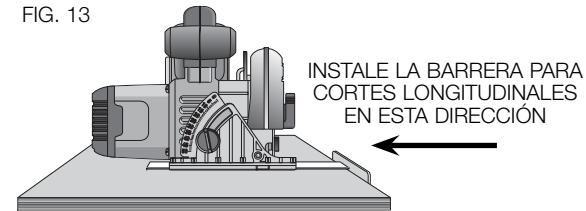
Al completar un corte, suelte el interruptor tipo gatillo y permita que la hoja se detenga antes de levantar la sierra de la pieza de trabajo. Cuando levante la sierra, el protector inferior de la hoja, el que está cargado por resorte, se cerrará automáticamente debajo de la hoja. Recuerde que la hoja quedará expuesta hasta que esto ocurra. Nunca ponga su mano debajo del material por ningún motivo. Cuando tenga que retraer manualmente el protector inferior de la hoja (lo que es necesario para iniciar un corte interior), siempre use la palanca de retracción.

**⚠ADVERTENCIA:** Cuando corte tiras angostas, tenga cuidado de verificar que las piezas cortadas no queden colgando del interior del protector inferior de la hoja.

### CORTES LONGITUDINALES (FIG. 13)

Se utiliza un corte longitudinal para cortar tablas anchas en tablas más angostas, cortando al hilo. La guía manual de la sierra es más difícil cuando se utiliza este tipo de sierra y se recomienda el uso de una guía para cortes longitudinales DEWALT.

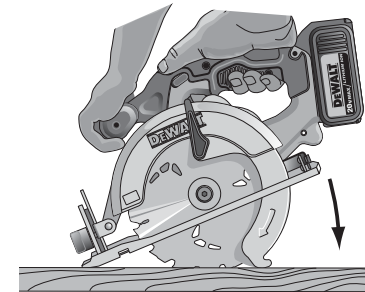
FIG. 13



### CORTE CENTRAL O DE ORIFICIO (FIG. 14)

**⚠ADVERTENCIA:** Nunca fije el protector inferior de la hoja en la posición elevada. Nunca mueva la sierra hacia atrás cuando haga cortes interiores. Esto podría hacer que la sierra se levante de la superficie de trabajo, lo que podría causar lesiones.

FIG. 14



Un corte central es un corte realizado en un piso, una pared u otra superficie plana.

1. Ajuste la base de la sierra de modo que la hoja corte a la profundidad deseada.
2. Incline la sierra hacia adelante y descance la parte anterior de la base sobre el material a cortar.
3. Usando la palanca de retracción del protector inferior de la hoja, retracte el protector inferior de la hoja a una posición ascendente. Baje la parte posterior de la base hasta que los dientes de la hoja casi toquen la línea de corte.

4. Suelte el protector inferior de la hoja (su contacto con la pieza lo mantendrá en una posición que permitirá que se abra libremente conforme inicie el corte). Retire su mano de la palanca de retracción del protector inferior de la hoja y agarre firmemente el mango auxiliar, como lo muestra la Figura 14. Posicione su cuerpo y su brazo de modo que pueda resistir el rebote si esto ocurre.
5. Asegúrese que la hoja no esté en contacto con la superficie de corte antes de arrancar la sierra.
6. Arranque el motor y baje la sierra gradualmente hasta que la base descanse completamente plana sobre el material a cortar. Avance la sierra por la línea del corte hasta que el corte se haya completado.
7. Suelte el interruptor tipo gatillo y permita que la hoja se detenga por completo antes de retirar la hoja del material.
8. Cuando inicie un nuevo corte, repita los pasos anteriores.

## **MANTENIMIENTO**

**⚠ADVERTENCIA:** *Para reducir el riesgo de lesiones personales graves, apague la herramienta y desconéctela de la fuente de energía antes de realizar ajustes o de retirar o instalar cualquier dispositivo o accesorio. Un arranque accidental podría causar lesiones.*

### **Limpieza**

**⚠ADVERTENCIA:** *Sople la suciedad y el polvo de todos los conductos de ventilación con aire seco, al menos una vez por semana. Para reducir el riesgo de lesiones, utilice siempre protección para los ojos aprobada ANSI Z87.1 al realizar esta tarea.*

**⚠ADVERTENCIA:** *Nunca utilice solventes ni otros químicos abrasivos para limpiar las piezas no metálicas de la herramienta. Estos productos químicos pueden debilitar los materiales plásticos utilizados en estas piezas. Utilice un paño humedecido sólo con agua y jabón neutro. Nunca permita que penetre líquido dentro de la herramienta ni sumerja ninguna de las piezas en un líquido.*

### **INSTRUCCIONES DE LIMPIEZA DEL CARGADOR**

**⚠ADVERTENCIA:** *Riesgo de descarga eléctrica. Desconecte el cargador del tomacorriente de CA antes de limpiarlo. Se puede usar un paño o un cepillo suave, que no sea metálico, para quitar la suciedad y la grasa de la parte externa del cargador. No use agua ni cualquier otra solución de limpieza.*

### **Lubricación**

La herramienta usa rodamientos autolubricantes y no requieren ser relubricados. Sin embargo, sí se recomienda que una vez al año lleve o envíe la herramienta a un centro de servicio autorizado para una limpieza, inspección y lubricación a fondo del cárter.

### **Accesorios**

**⚠ADVERTENCIA:** *Debido a que no se han probado con este producto otros accesorios que no sean los que ofrece DEWALT, el uso de dichos accesorios con esta herramienta podría ser peligroso. Para reducir el riesgo de lesiones, con este producto deben usarse sólo los accesorios recomendados por DEWALT.*

Los accesorios que se recomiendan para utilizar con la herramienta están disponibles a un costo adicional en su distribuidor local o en un centro de mantenimiento autorizado. Si necesita ayuda para localizar algún accesorio, póngase en contacto con DEWALT Industrial Tool Co., 701 East Joppa Road, Baltimore, MD 21286, llame al 1-800-4-DEWALT (1-800-433-9258) o visite nuestro sitio web [www.dewalt.com](http://www.dewalt.com).

## Reparaciones

El cargador y las unidades de batería no pueden ser reparados. El cargador y la unidad de batería no contienen piezas reparables.

Para asegurar la SEGURIDAD y la CONFIABILIDAD del producto, las reparaciones, el mantenimiento y los ajustes deben (inclusive inspección y cambio de carbones) ser realizados en un centro de mantenimiento en la fábrica DEWALT, en un centro de mantenimiento autorizado DEWALT u por otro personal de mantenimiento calificado. Utilice siempre piezas de repuesto idénticas.

### PARA REPARACIÓN Y SERVICIO DE SUS HERRAMIENTAS ELÉCTRICAS, FAVOR DE DIRIGIRSE AL CENTRO DE SERVICIO MÁS CERCANO

#### CULIACAN, SIN

Bld.Emiliano Zapata 5400-1 Poniente  
Col. San Rafael (667) 717 89 99

#### GUADALAJARA, JAL

Av. La Paz #1779 - Col. Americana Sector Juárez (33) 3825 6978

#### MEXICO, D.F.

Eje Central Lázaro Cárdenas No. 18  
Local D, Col. Obrera (55) 5588 9377

#### MERIDA, YUC

Calle 63 #459-A - Col. Centro (999) 928 5038

#### MONTERREY, N.L.

Av. Francisco I. Madero 831 Poniente - Col. Centro (818) 375 23 13

#### PUEBLA, PUE

17 Norte #205 - Col. Centro (222) 246 3714

#### QUERETARO, QRO

Av. San Roque 274 - Col. San Gregorio (442) 2 17 63 14

#### SAN LUIS POTOSI, SLP

Av. Universidad 1525 - Col. San Luis (444) 814 2383

#### TORREON, COAH

Bld. Independencia, 96 Pte. - Col. Centro (871) 716 5265

#### VERACRUZ, VER

Prolongación Díaz Mirón #4280 - Col. Remes (229) 921 7016

#### VILLAHERMOSA, TAB

Constitución 516-A - Col. Centro (993) 312 5111

#### PARA OTRAS LOCALIDADES:

Si se encuentra en México, por favor llame al (55) 5326 7100

Si se encuentra en U.S., por favor llame al

1-800-433-9258 (1-800 4-DEWALT)

## Póliza de Garantía

### IDENTIFICACIÓN DEL PRODUCTO:

Sello o firma del Distribuidor.

Nombre del producto: \_\_\_\_\_ Mod./Cat.: \_\_\_\_\_

Marca: \_\_\_\_\_ Núm. de serie: \_\_\_\_\_

(Datos para ser llenados por el distribuidor)

Fecha de compra y/o entrega del producto: \_\_\_\_\_

Nombre y domicilio del distribuidor donde se adquirió el producto: \_\_\_\_\_

Este producto está garantizado por un año a partir de la fecha de entrega, contra cualquier defecto en su funcionamiento, así como en materiales y mano de obra empleados para su fabricación. Nuestra garantía incluye la reparación o reposición del producto y/o componentes sin cargo alguno para el cliente, incluyendo mano de obra, así como los gastos de transportación razonablemente erogados derivados del cumplimiento de este certificado.

Para hacer efectiva esta garantía deberá presentar su herramienta y esta póliza sellada por el establecimiento comercial donde se adquirió el producto, de no contar con ésta, bastará la factura de compra.



## EXCEPCIONES

Esta garantía no será válida en los siguientes casos:

- Cuando el producto se hubiese utilizado en condiciones distintas a las normales;
- Cuando el producto no hubiese sido operado de acuerdo con el instructivo de uso que se acompaña;
- Cuando el producto hubiese sido alterado o reparado por personas distintas a las enlistadas al final de este certificado.

Anexo encontrará una relación de sucursales de servicio de fábrica, centros de servicio autorizados y franquiciados en la República Mexicana, donde podrá hacer efectiva su garantía y adquirir partes, refacciones y accesorios originales.

### **Garantía limitada por tres años**

DEWALT reparará, sin cargo, cualquier falla que surja de defectos en el material o la fabricación del producto, por hasta tres años a contar de la fecha de compra. Esta garantía no cubre fallas de las piezas causadas por su desgaste normal o abuso a la herramienta. Para mayores detalles sobre la cobertura de la garantía e información acerca de reparaciones realizadas bajo garantía, visítenos en [www.dewalt.com](http://www.dewalt.com) o diríjase al centro de servicio más cercano. Esta garantía no aplica a accesorios o a daños causados por reparaciones realizadas o intentadas por terceros. Esta garantía le otorga derechos legales específicos, además de los cuales puede tener otros dependiendo del estado o la provincia en que se encuentre.

Además de la garantía, las herramientas DEWALT están cubiertas por:

#### **1 AÑO DE SERVICIO GRATUITO**

DEWALT mantendrá la herramienta y reemplazará las piezas gastadas por su uso normal, sin cobro, en cualquier momento durante un año a contar de la fecha de compra. Los artículos gastados por la clavadora, tales como la unidad de hoja y retorno del impulsador, no están cubiertas.

#### **2 AÑOS DE SERVICIO GRATUITO PARA UNIDADES DE ALIMENTACIÓN DEWALT**

DC9071, DC9091, DC9096, DC9280, DC9360, DC9180, DCB120 y DCB201

#### **3 AÑOS DE SERVICIO GRATUITO PARA UNIDADES DE ALIMENTACIÓN DEWALT**

DCB200

#### **UNIDADES DE ALIMENTACIÓN DEWALT**

La garantía del producto quedará nula si la unidad de alimentación ha sido alterada de cualquier manera. DEWALT no es responsable de ninguna lesión causada por alteraciones y podría iniciar un procedimiento judicial por fraude de garantía hasta el máximo grado permisible por la ley.

#### **GARANTÍA DE REEMBOLSO DE SU DINERO POR 90 DÍAS**

Si no está completamente satisfecho con el desempeño de su máquina herramienta, láser o clavadora DEWALT, cualquiera sea el motivo, podrá devolverlo hasta 90 días de la fecha de compra con su recibo y obtener el reembolso completo de su dinero – sin necesidad de responder a ninguna pregunta.

**AMÉRICA LATINA:** Esta garantía no se aplica a los productos que se venden en América Latina. Para los productos que se venden en América Latina, debe consultar la información de la garantía específica del país que viene en el empaque, llamar a la compañía local o visitar el sitio Web a fin de obtener esa información.

**REEMPLAZO GRATUITO DE LAS ETIQUETAS DE ADVERTENCIAS:** Si sus etiquetas de advertencia se vuelven ilegibles o faltan, llame al 1-800-4-DeWALT (1-800-433-9258) para que se le reemplacen gratuitamente.

**DCSXXX** 6 1/2" (165mm) CORDLESS CIRCULAR SAW

SER. [REDACTED]

**⚠ DANGER/PELIGRO** KEEP HANDS AND BODY AWAY FROM AND TO THE SIDE OF THE BLADE. CONTACT WITH BLADE WILL RESULT IN SERIOUS INJURY. MANTENGA LAS MANOS Y EL CUERPO ALEJADOS DE LA HOJA Y A UN LADO DE LA MISMA. EL CONTACTO CON LA HOJA PROVOCA LESIONES GRAVES. TENIR LES MAINS ET TOUTE AUTRE PARTIE DU CORPS ÉLOIGNÉES DE LA LAME ET SUR LE CÔTÉ DE CELLE-CI. TOUT CONTACT AVEC LA LAME RISQUE DE CAUSER DE GRAVES BLESSURES.

**⚠ WARNING/ADVERTENCIA/AVERTISSEMENT** TO REDUCE THE RISK OF INJURY, USER MUST READ INSTRUCTION MANUAL, CHECK GUARDING SYSTEM. IT MUST COVER BLADE INSTANTLY! HOLD SAW WITH BOTH HANDS, SUPPORT AND CLAMP WORK, WEAR EYE PROTECTION, ALWAYS USE PROPER RESPIRATORY PROTECTION, USE WITH DEWALT BATTERY. REMOVE BATTERY PACK WHEN CHANGING BLADES OR MAKING ADJUSTMENTS. PARA DISMINUIR EL RIESGO DE LESIONES, EL USUARIO DEBERÁ LEER EL MANUAL DE INSTRUCCIONES, INSPECCIONE LA GUARDA INFERIOR, LA GUARDA DEBE DE CERRAR INSTANTANEAMENTE, SOSTENGA LA SIERRA CON AMBAS MANOS, quite el paquete de la batería al cambiar las laminas o haciendo ajustes. À TITRE PRÉVENTIF, LIRE LE GUIDE, VÉRIFIER LE PROTECTEUR INFÉRIEUR, CE DERNIER DOIT SE REFERMER INSTANTANÉMENT, TENIR LA SCIE DES DEUX MAINS, SOUTENIR ET FIXER LA PIÈCE À OUVRIER, ENLEVEZ LE PAQUET DE BATTERIE EN CHANGÉANT DES LAMES OU EN FAISANT DES AJUSTEMENTS.

DeWALT INDUSTRIAL TOOL CO., BALTIMORE, MD 21286 USA  
FOR SERVICE INFORMATION CALL: 1-800-4-DeWALT www.DeWALT.com

**ESPECIFICACIONES**

DCS391	20 V Máx*	3 700 rpm
DCS393	20 V Máx*	3 700 rpm

SOLAMENTE PARA PROPÓSITO DE MÉXICO:  
 IMPORTADO POR: BLACK & DECKER S.A. DE C.V.  
 AVENIDA ANTONIO DOVALI JAIME, # 70 TORRE B PISO 9  
 COLONIA LA FE, SANTA FÉ  
 CÓDIGO POSTAL : 01210  
 DELEGACIÓN ALVARO OB REGÓN  
 MÉXICO D.F.  
 TEL. (52) 555-326-7100  
 R.F.C.: BDE810626-1W7

Para servicio y ventas consulte  
**“HERRAMIENTAS ELECTRICAS”**  
 en la sección amarilla.



**Español**





<b>DeWALT Battery and Charger Systems</b>																						
Battery	Output	Chargers/Charge Time (Minutes) – Chargeurs/Durée de charge (Minutes) – Cargadores de baterías/Tiempo de carga (Minutos)																				
		120 Volts															12 Volts					
Cat #	Voltage	DW9106	DW9118	DW9107	DW9108	DW9116	DW9216	DW9117	DW9111	DC011	DC022	DC9000	DC9310	DC9320	DCB100	DCB101	DCB103	DW0246	DCB119	DW0249	DW9109	DC9319
DC9360	36	X	X	X	X	X	X	X	X	X	X	60	X	X	X	X	X	X	X	X	X	X
DC9280	28	X	X	X	X	X	X	X	X	X	X	60	X	X	X	X	X	X	X	X	X	X
DW0242	24	X	X	X	X	X	X	X	X	X	X	X	X	X	X	X	X	60	X	60	X	X
DC9096	18	X	X	X	60	60	60	20	60	60	60	X	60	60	X	X	60	X	X	X	60	60
DC9099	18	X	X	X	45	45	45	15	45	45	45	X	45	45	X	X	45	X	X	X	45	45
DC9180	18	X	X	X	X	X	X	X	X	X	X	X	60	60	X	X	60	X	X	X	X	60
DC9181	18	X	X	X	X	X	X	X	X	X	X	X	30	30	X	X	30	X	X	X	X	30
DCB200	20	X	X	X	X	X	X	X	X	X	X	X	X	X	X	60	60	X	90	X	X	X
DCB201	20	X	X	X	X	X	X	X	X	X	X	X	X	X	X	30	30	X	45	X	X	X
DW9096	18	X	X	X	60	60	60	20	60	60	60	X	60	60	X	X	60	X	X	X	60	60
DW9098	18	X	X	X	30	30	30	12	30	30	30	X	30	30	X	X	30	X	X	X	30	30
DW9099	18	X	X	X	45	45	45	15	45	45	45	X	45	45	X	X	45	X	X	X	45	45
DC9091	14.4	90	115	60	60	60	60	20	60	60	60	X	60	60	X	X	60	X	X	X	60	60
DC9094	14.4	60	90	45	45	45	45	15	45	45	45	X	45	45	X	X	45	X	X	X	45	45
DW9091	14.4	60	90	45	45	45	45	15	45	45	45	X	45	45	X	X	45	X	X	X	45	45
DW9094	14.4	45	60	30	30	30	30	12	30	30	30	X	30	30	X	X	30	X	X	X	30	30
DCB120	12	X	X	X	X	X	X	X	X	X	X	X	X	X	X	40	30	X	40	X	X	X
DC9071	12	90	115	60	60	60	60	20	60	60	60	X	60	60	X	X	60	X	X	X	60	60
DW9050	12	40	X	X	X	X	X	X	X	X	X	X	X	X	X	X	X	X	X	X	X	X
DW9071	12	60	90	45	45	45	45	15	45	45	45	X	45	45	X	X	45	X	X	X	45	45
DW9072	12	45	60	30	30	30	30	12	30	30	30	X	30	30	X	X	30	X	X	X	30	30
DW9048	9.6	40	X	X	X	X	X	X	X	X	X	X	X	X	X	X	X	X	X	X	X	X
DW9061	9.6	60	90	45	45	45	45	15	45	45	45	X	45	45	X	X	45	X	X	X	45	45
DW9062	9.6	45	60	30	30	30	30	12	30	30	30	X	30	30	X	X	30	X	X	X	30	30
DW9057	7.2	45	60	30	30	30	30	12	30	30	30	X	30	30	X	X	30	X	X	X	30	30

**"X" Indicates that the battery pack is not compatible with that specific charger.**  
 "X" indique que le bloc-piles n'est pas compatible avec ce chargeur.  
 Una "X" indica que el paquete de baterías no es compatible con ese determinado cargador.

**All charge times are approximate. Actual charge time may vary. Read the instruction manual for more specific information.**  
 Les durées de charge sont approximatives; la durée de charge réelle peut varier. Lire le manuel d'utilisation pour obtenir des renseignements plus précis.  
 El tiempo de duración de carga es aproximado; la duración de carga real puede variar. Lea el manual de instrucciones para obtener información más precisa.

\* Maximum initial battery voltage (measured without a workload) is 20 volts. Nominal voltage is 18.

\* La tension initiale maximum du bloc-piles (mesurée à vide) est de 20 volts. La tension nominale est de 18.

\* El máximo voltaje inicial de la batería (medido sin carga de trabajo) es 20 voltios. El voltaje nominal es de 18.

DeWALT Industrial Tool Co., 701 Joppa Road, Baltimore, MD 21286  
 (DEC11) Part No. N142686 DCS391, DCS393 Copyright © 2011 DeWALT

The following are trademarks for one or more DeWALT power tools: the yellow and black color scheme, the "D" shaped air intake grill, the array of pyramids on the handgrip, the kit box configuration, and the array of lozenge-shaped humps on the surface of the tool.

*If you have questions or comments, contact us.  
Pour toute question ou tout commentaire, nous contacter.  
Si tiene dudas o comentarios, contáctenos.*

**1-800-4-DEWALT • [www.dewalt.com](http://www.dewalt.com)**

**INSTRUCTION MANUAL  
GUIDE D'UTILISATION  
MANUAL DE INSTRUCCIONES**

INSTRUCTIVO DE OPERACIÓN, CENTROS DE SERVICIO Y PÓLIZA DE GARANTÍA. **ADVERTENCIA:** LÉASE ESTE INSTRUCTIVO ANTES DE USAR EL PRODUCTO.

---

# DEWALT®

---

**DCR006**

**12V/20V Max\* Wireless Bluetooth® Speaker**

**Haut-parleur Bluetooth<sup>MD</sup> sans fil, 12 V /20 V max\***

**Altavoz inalámbrico de Bluetooth® de 12V/20V Máx\***



Page dimensions: 8.5 x 5.5 inches



### Definitions: Safety Guidelines

The definitions below describe the level of severity for each signal word. Please read the manual and pay attention to these symbols.

**▲ DANGER:** Indicates an imminently hazardous situation which, if not avoided, **will** result in **death or serious injury**.

**▲ WARNING:** Indicates a potentially hazardous situation which, if not avoided, **could** result in **death or serious injury**.

**▲ CAUTION:** Indicates a potentially hazardous situation which, if not avoided, **may** result in **minor or moderate injury**.

**NOTICE:** Indicates a practice **not related to personal injury** which, if not avoided, **may** result in **property damage**.

IF YOU HAVE ANY QUESTIONS OR COMMENTS ABOUT THIS OR ANY DEWALT TOOL, CALL US TOLL FREE AT: **1-800-4-DEWALT (1-800-433-9258)**.



**WARNING:** To reduce the risk of injury, read the instruction manual.

### General Safety Warnings



**WARNING! Read all safety warnings and all instructions.** Failure to follow the warnings and instructions may result in electric shock, fire and/or serious injury.

**SAVE ALL WARNINGS AND INSTRUCTIONS FOR FUTURE REFERENCE**

### Important Safety Instructions

1. Read these instructions.
2. Keep these instructions.
3. Heed all warnings.
4. Follow all instructions.
5. Do not use this apparatus near water.
6. Clean only with a dry cloth.
7. Do not block any ventilation openings. Install in accordance with the manufacturer's instructions.
8. Do not install near any heat sources such as radiators, heat registers, stoves or other apparatus (including amplifiers) that produce heat.
9. Do not defeat the safety purpose of the polarized or grounding-type plug. A polarized plug has two blades with one wider than the other. A grounding type plug has two blades and a third grounding prong. The wide blade or the third prong are provided for your safety. If the provided plug does not fit into your outlet, consult an electrician for replacement of the obsolete outlet.
10. Protect the power cord from being walked on or pinched particularly at plugs, convenience receptacles, and the point where they exit from the apparatus.
11. Only use attachments/accessories specified by the manufacturer.
12. Unplug this apparatus during lightning storms or when unused for long periods of time.
13. Refer all servicing to qualified service personnel. Servicing is required when the apparatus has been damaged in any way, such as power-supply cord or plug is damaged, liquid has been spilled or objects have fallen into the apparatus, the apparatus

has been exposed to rain or moisture, does not operate normally, or has been dropped.

14. Apparatus shall not be exposed to dripping or splashing and no objects filled with liquids, such as vases, shall be placed on the apparatus



The lightning flash with arrow head within a triangle is intended to tell the user that parts inside the product are a risk of electric shock to persons.



The exclamation point within a triangle is intended to tell the user that important operating and servicing instructions are in the papers with the appliance.

### **Additional Safety Rules for Bluetooth® Speaker**

- **DO NOT** splash or immerse in water or other liquids.
- Please note that changes or modifications not expressly approved by the party responsible for compliance could void the user's authority to operate the equipment.

**NOTE:** The Bluetooth® word mark and logos are registered trademarks owned by the Bluetooth®, SIG, Inc. and any use of such marks by DEWALT is under license. Other trademarks and trade names are those of their respective owners.

- This Class B digital apparatus complies with Canadian ICES-003.
- This device complies with Part 15 of the FCC Rules. Operation is subject to the following two conditions:
  - 1) This device may not cause harmful interference, and
  - 2) This device must accept any interference received, including interference that may cause undesired operation.

**NOTE:** This equipment has been tested and found to comply with the limits for a Class B digital device, pursuant to Part 15 of the FCC Rules. These limits are designed to provide

reasonable protection against harmful interference in a residential installation. This equipment generates, uses and can radiate radio frequency energy and, if not installed and used in accordance with the instructions, may cause harmful interference to radio communications. However, there is no guarantee that interference will not occur in a particular installation. If this equipment does cause harmful interference to radio or television reception, which can be determined by turning the equipment off and on, the user is encouraged to try to correct the interference by one or more of the following measures:

- Reorient or relocate the receiving antenna.
- Increase the separation between the equipment and speaker.
- Connect the equipment into an outlet on a circuit different from that to which the speaker is connected.
- Consult the dealer or an experienced radio/TV technician for help.
- The label on your tool may include the following symbols. The nameplate label is located on bottom of unit. The symbols and their definitions are as follows:

V..... volts	A..... amperes
Hz..... hertz	W..... watts
min ..... minutes	~ or AC..... alternating current
== or DC... direct current	⎓ or AC/DC... alternating or direct current
Ⓛ..... Class I Construction (grounded)	Ⓜ..... Class II Construction (double insulated)
.../min ..... per minute	n <sub>o</sub> ..... no load speed
BPM..... beats per minute	n ..... rated

IPM.....	impacts per minute	⊖	speed
RPM.....	revolutions per minute	⊕	earthing terminal
sfpm.....	surface feet per minute	⚠	safety alert symbol
SPM.....	strokes per minute		

### Important Safety Instructions for All Battery Packs

When ordering replacement battery packs, be sure to include the catalog number and voltage. Consult the chart at the end of this manual for compatibility of chargers and battery packs.

The battery pack is not fully charged out of the carton. Before using the battery pack and charger, read the safety instructions below and then follow charging procedures outlined.

#### READ ALL INSTRUCTIONS

- **Do not charge or use the battery pack in explosive atmospheres, such as in the presence of flammable liquids, gases or dust.** Inserting or removing the battery pack from the charger may ignite the dust or fumes.
- **NEVER force the battery pack into the charger. DO NOT modify the battery pack in any way to fit into a non-compatible charger as battery pack may rupture causing serious personal injury.** Consult the chart at the end of this manual for compatibility of batteries and chargers.
- Charge the battery packs only in designated DEWALT chargers.
- **DO NOT** splash or immerse in water or other liquids.
- **Do not store or use the tool and battery pack in locations where the temperature may reach or exceed 105 °F (40 °C) (such as outside sheds or metal buildings in summer).** For best life store battery packs in a cool, dry location.

**⚠WARNING: Fire hazard.** Never attempt to open the battery pack for any reason. If the battery pack case is cracked or damaged, do not insert into the charger. Do not crush, drop or damage the battery pack. Do not use a battery pack or charger that has received a sharp blow, been dropped, run over or damaged in any way (e.g., pierced with a nail, hit with a hammer, stepped on). Damaged battery packs should be returned to the service center for recycling.

**⚠WARNING: Fire hazard. Do not store or carry the battery pack so that metal objects can contact exposed battery terminals.** For example, do not place the battery pack in aprons, pockets, tool boxes, product kit boxes, drawers, etc., with loose nails, screws, keys, etc. **Transporting batteries can possibly cause fires if the battery terminals inadvertently come in contact with conductive materials such as keys, coins, hand tools and the like.** The US Department of Transportation Hazardous Material Regulations (HMR) actually prohibit transporting batteries in commerce or on airplanes (e.g., packed in suitcases and carry-on luggage) UNLESS they are properly protected from short circuits. So when transporting individual battery packs, make sure that the battery terminals are protected and well insulated from materials that could contact them and cause a short circuit.

#### SPECIFIC SAFETY INSTRUCTIONS FOR LITHIUM ION (Li-Ion)

- **Do not incinerate the battery pack even if it is severely damaged or is completely worn out.** The battery pack can explode in a fire. Toxic fumes and materials are created when lithium ion battery packs are burned.
- **If battery contents come into contact with the skin, immediately wash area with mild soap and water.** If battery liquid gets into the eye, rinse water over the open eye for 15 minutes or until irritation ceases. If medical attention is needed, the battery electrolyte is composed of a mixture of liquid organic carbonates and lithium salts.



- **Contents of opened battery cells may cause respiratory irritation.** Provide fresh air. If symptoms persist, seek medical attention.

**⚠WARNING:** Burn hazard. Battery liquid may be flammable if exposed to spark or flame.

### The RBRC™ Seal

The RBRC™ (Rechargeable Battery Recycling Corporation) Seal on the nickel cadmium, nickel metal hydride or lithium ion batteries (or battery packs) indicate that the costs to recycle these batteries (or battery packs) at the end of their useful life have already been paid by DEWALT. In some areas, it is illegal to place spent nickel cadmium, nickel metal hydride or lithium ion batteries in the trash or municipal solid waste stream and the RBRC program provides an environmentally conscious alternative.

RBRC™, in cooperation with DEWALT and other battery users, has established programs in the United States and Canada to facilitate the collection of spent nickel cadmium, nickel metal hydride or lithium ion batteries. Help protect our environment and conserve natural resources by returning the spent nickel cadmium, nickel metal hydride or lithium ion batteries to an authorized DEWALT service center or to your local retailer for recycling. You may also contact your local recycling center for information on where to drop off the spent battery.

RBRC™ is a registered trademark of the Rechargeable Battery Recycling Corporation.

### Important Safety Instructions for All Battery Chargers

**SAVE THESE INSTRUCTIONS:** This manual contains important safety and operating instructions for battery chargers.



- Before using the charger, read all instructions and cautionary markings on the charger, battery pack and product using the battery pack.

**⚠WARNING:** Shock hazard. Do not allow any liquid to get inside the charger. Electric shock may result.

**⚠CAUTION:** Burn hazard. To reduce the risk of injury, charge only DEWALT rechargeable battery packs. Other types of batteries may overheat and burst resulting in personal injury and property damage.

**NOTICE:** Under certain conditions, with the charger plugged into the power supply, the charger can be shorted by foreign material. Foreign materials of a conductive nature, such as, but not limited to, grinding dust, metal chips, steel wool, aluminum foil or any buildup of metallic particles should be kept away from the charger cavities. Always unplug the charger from the power supply when there is no battery pack in the cavity. Unplug the charger before attempting to clean.

**⚠WARNING:**

- **DO NOT attempt to charge the battery pack with any chargers other than the ones in this manual.** The charger and battery pack are specifically designed to work together.
- **These chargers are not intended for any uses other than charging DEWALT rechargeable batteries.** Any other uses may result in risk of fire, electric shock or electrocution.
- **Do not expose the charger to rain or snow.**
- **Pull by the plug rather than the cord when disconnecting the charger.** This will reduce the risk of damage to the electric plug and cord.
- **Make sure that the cord is located so that it will not be stepped on, tripped over or otherwise subjected to damage or stress.**
- **Do not use an extension cord unless it is absolutely necessary.** Use of improper extension cord could result in risk of fire, electric shock or electrocution.

- **When operating a charger outdoors, always provide a dry location and use an extension cord suitable for outdoor use.** Use of a cord suitable for outdoor use reduces the risk of electric shock.
- **An extension cord must have adequate wire size (AWG or American Wire Gauge) for safety.** The smaller the gauge number of the wire, the greater the capacity of the cable, that is, 16 gauge has more capacity than 18 gauge. An undersized cord will cause a drop in line voltage resulting in loss of power and overheating. When using more than one extension to make up the total length, be sure each individual extension contains at least the minimum wire size. The following table shows the correct size to use depending on cord length and nameplate ampere rating. If in doubt, use the next heavier gauge. The lower the gauge number, the heavier the cord.

Minimum Gauge for Cord Sets						
Ampere Rating		Volts	Total Length of Cord in Feet (meters)			
			120 V	50 (7.6)	100 (15.2)	150 (30.5)
		240 V	50 (15.2)	100 (30.5)	200 (61.0)	300 (91.4)
More Than	Not More Than	AWG				
0	6		18	16	16	14
6	10		18	16	14	12
10	12		16	16	14	12
12	16		14	12	Not Recommended	

- **Do not place any object on top of the charger or place the charger on a soft surface that might block the ventilation**

**slots and result in excessive internal heat.** Place the charger in a position away from any heat source. The charger is ventilated through slots in the top and the bottom of the housing.

- **Do not operate the charger with a damaged cord or plug.**
- **Do not operate the charger if it has received a sharp blow, been dropped or otherwise damaged in any way.** Take it to an authorized service center.
- **Do not disassemble the charger; take it to an authorized service center when service or repair is required.** Incorrect reassembly may result in a risk of electric shock, electrocution or fire.
- **Disconnect the charger from the outlet before attempting any cleaning. This will reduce the risk of electric shock.** Removing the battery pack will not reduce this risk.
- **NEVER** attempt to connect 2 chargers together.
- **The charger is designed to operate on standard 120V household electrical power. Do not attempt to use it on any other voltage.** This does not apply to the vehicular charger.

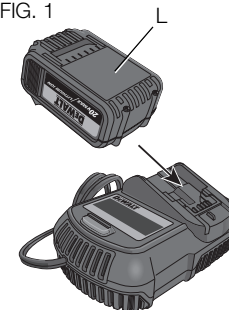
### Chargers

Your speaker uses a DEWALT charger. Be sure to read all safety instructions before using your charger. Consult the chart at the end of this manual for compatibility of chargers and battery packs.

### Charging Procedure (Fig. 1)

1. Plug the charger into an appropriate outlet before inserting the battery pack.






FIG. 1









2. Insert the battery pack (L) into the charger, as shown in Figure 1, making sure the pack is fully seated in charger. The red (charging) light will blink continuously, indicating that the charging process has started.
3. The completion of charge will be indicated by the red light remaining ON continuously. The pack is fully charged and may be used at this time or left in the charger.

### Indicator Light Operation

#### DCB101

-  **PACK CHARGING** — — — — —
-  **PACK CHARGED** —————
-  **HOT/COLD DELAY** —● —● —● —● —●
-  **PROBLEM PACK OR CHARGER** ●●●●●●●●
-  **PROBLEM POWERLINE** ●● ●● ●● ●● ●●

#### DCB107, DCB112

-  **PACK CHARGING** — — — — — 
-  **PACK CHARGED** ————— 
-  **HOT/COLD DELAY** — — — | ————— 

### Charge Indicators

This charger is designed to detect certain problems that can arise. Problems are indicated by the red light flashing at a fast rate. If this occurs, re-insert the battery pack into the charger. If the problem persists, try a different battery pack to determine if the charger is working properly. If the new pack charges correctly, then the original pack is defective and should be returned to a service center or other collection site for recycling. If the new battery pack elicits the same trouble indication as the original, have the charger and the battery pack tested at an authorized service center.

#### HOT/COLD DELAY DCB101

This charger has a hot/cold delay feature: when the charger detects a battery that is hot, it automatically starts a delay, suspending charging until the battery has cooled. After the battery has cooled, the charger automatically switches to the pack charging mode. This feature ensures maximum battery life. The red light flashes long, then short while in the hot/cold delay mode.

#### DCB107, DCB112

The DCB107 and DCB112 chargers have a hot/cold delay feature. When the charger detects a battery that is hot, it automatically delays charging until the battery has cooled. When the charger detects a battery that is cold, it automatically delays charging until the battery has warmed.

The red light will continue to blink, but a yellow indicator light will be illuminated during this operation. Once the battery has cooled, the yellow light will turn off and the charger will resume the charging procedure.

#### LEAVING THE BATTERY PACK IN THE CHARGER

The charger and battery pack can be left connected with the charge indicator showing Pack Charged.



**WEAK BATTERY PACKS:** Weak batteries will continue to function but should not be expected to perform as much work.

**FAULTY BATTERY PACKS:** This charger will not charge a faulty battery pack. The charger will indicate faulty battery pack by refusing to light or by displaying problem pack or charger.

**NOTE:** This could also mean a problem with a charger.

#### **PROBLEM POWER LINE (DCB101)**

Some chargers have a Problem Powerline indicator. When the charger is used with some portable power sources such as generators or sources that convert DC to AC, the charger may temporarily suspend operation, flashing the red light with two fast blinks followed by a pause. This indicates the power source is out of limits.

### **Wall Mounting**

#### **DCB107, DCB112**

These chargers are designed to be wall mountable or to sit upright on a table or work surface.

If wall mounting, locate the charger within reach of an electrical outlet. Mount the charger securely using drywall screws at least 1" (25.4 mm) long, screwed into wood to an optimal depth leaving approximately 7/32" (5.5 mm) of the screw exposed.

### **Important Charging Notes**

1. Longest life and best performance can be obtained if the battery pack is charged when the air temperature is between 65 °F and 75 °F (18°–24 °C). DO NOT charge the battery pack in an air temperature below +40 °F (+4.5 °C), or above +105 °F (+40.5 °C). This is important and will prevent serious damage to the battery pack.
2. The charger and battery pack may become warm to the touch while charging. This is a normal condition, and does not indicate a problem. To facilitate the cooling of the battery pack after use,

avoid placing the charger or battery pack in a warm environment such as in a metal shed or an uninsulated trailer.

3. A cold battery pack will charge at about half the rate of a warm battery pack. The battery pack will charge at that slower rate throughout the entire charging cycle and will not return to maximum charge rate even if the battery pack warms.
  4. If the battery pack does not charge properly:
    - a. Check operation of receptacle by plugging in a lamp or other appliance;
    - b. Check to see if receptacle is connected to a light switch which turns power off when you turn out the lights;
    - c. Move the charger and battery pack to a location where the surrounding air temperature is approximately 65 °F–75 °F (18°–24 °C);
    - d. If charging problems persist, take the apparatus, battery pack and charger to your local service center.
  5. The battery pack should be recharged when it fails to produce sufficient power on jobs which were easily done previously. DO NOT CONTINUE to use under these conditions. Follow the charging procedure. You may also charge a partially used pack whenever you desire with no adverse effect on the battery pack.
  6. Foreign materials of a conductive nature such as, but not limited to, grinding dust, metal chips, steel wool, aluminum foil, or any buildup of metallic particles should be kept away from charger cavities. Always unplug the charger from the power supply when there is no battery pack in the cavity. Unplug the charger before attempting to clean.
  7. Do not freeze or immerse the charger in water or any other liquid.
- ⚠WARNING:** Shock hazard. Don't allow any liquid to get inside the charger. Electric shock may result.

**⚠ WARNING:** Burn hazard. Do not submerge the battery pack in any liquid or allow any liquid to enter the battery pack. Never attempt to open the battery pack for any reason. If the plastic housing of the battery pack breaks or cracks, return to a service center for recycling.

### Storage Recommendations

1. The best storage place is one that is cool and dry, away from direct sunlight and excess heat or cold.
2. For long storage, it is recommended to store a fully charged battery pack in a cool dry place out of the charger for optimal results.

**NOTE:** Battery packs should not be stored completely depleted of charge. The battery pack will need to be recharged before use.

### SAVE THESE INSTRUCTIONS FOR FUTURE USE

### COMPONENTS (Fig. 2)

**⚠ WARNING:** Never modify the apparatus or any part of it. Damage or personal injury could result.

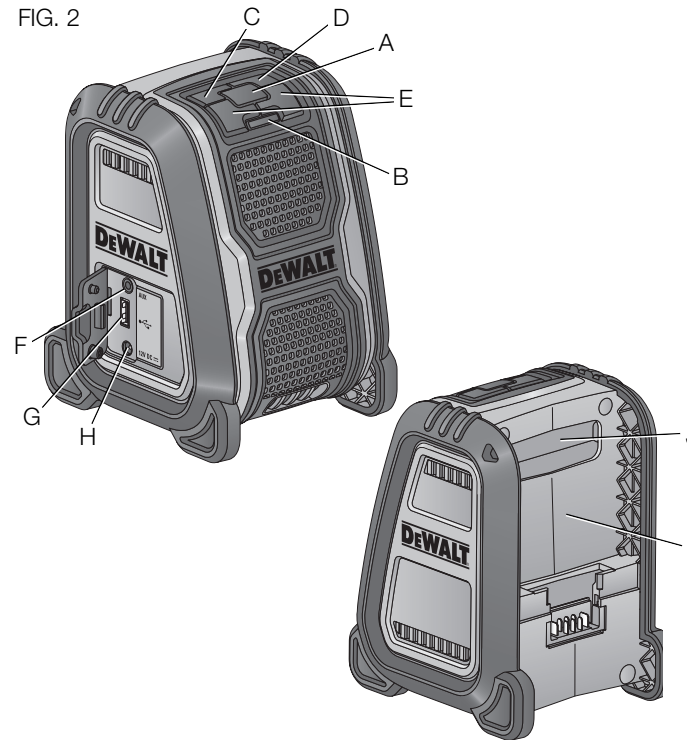
- |                              |                   |
|------------------------------|-------------------|
| A. Power button              | F. AUX audio port |
| B. LED indicator light       | G. USB power port |
| C. Bluetooth® pairing button | H. AC power input |
| D. Pause button              | I. Battery port   |
| E. Volume buttons +/-        | J. Carry handle   |

### INTENDED USE

This DEWALT Bluetooth® speaker is designed to play/stream audio via a wireless Bluetooth® connection or wired connection to a mobile phone or other audio device.

**DO NOT** use under wet conditions or in presence of flammable liquids or gases.

FIG. 2



**DO NOT** let children come into contact with the apparatus. Supervision is required when inexperienced operators use this apparatus.

## OPERATION

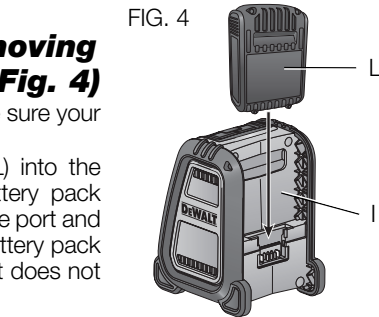
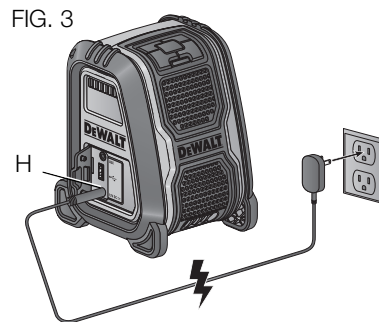
**⚠ WARNING:** To reduce the risk of serious personal injury, turn apparatus off and unplug or remove the battery pack before making any adjustments or removing/installing attachments or accessories.

The speaker can operate off of DC power (a battery pack) or with an AC power adapter plug. To power the speaker using the AC adapter, plug the adapter into the appropriate outlet and connect it to the speaker via the AC power input (Fig. 3, H). Battery pack will not charge when AC adapter is plugged in.

### Installing and Removing the Battery Pack (Fig. 4)

**NOTE:** For best results, make sure your battery pack is fully charged.

To install the battery pack (L) into the battery port (I), align the battery pack with the rails on the sides of the port and slide the battery in until the battery pack is firmly seated. Be sure that it does not disengage.



To remove the battery pack from the apparatus, press the release button and firmly pull the battery pack out of the port. Insert it into the charger as described in the charger section of this manual.

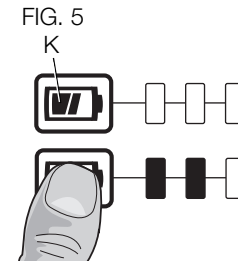
### FUEL GAUGE BATTERY PACKS (FIG. 5)

Some DEWALT battery packs include a fuel gauge which consists of three green LED lights that indicate the level of charge remaining in the battery pack.

To actuate the fuel gauge, press and hold the fuel gauge button (K). A combination of the three green LED lights will illuminate designating the level of charge left. When the level of charge in the battery is below the usable limit, the fuel gauge will not illuminate and the battery will need to be recharged.

**NOTE:** The fuel gauge is only an indication of the charge left on the battery pack. It does not indicate apparatus functionality and is subject to variation based on product components, temperature and end-user application.

For more information regarding fuel gauge battery packs, please call 1-800-4-DEWALT (1-800-433-9258) or visit our website [www.dewalt.com](http://www.dewalt.com).

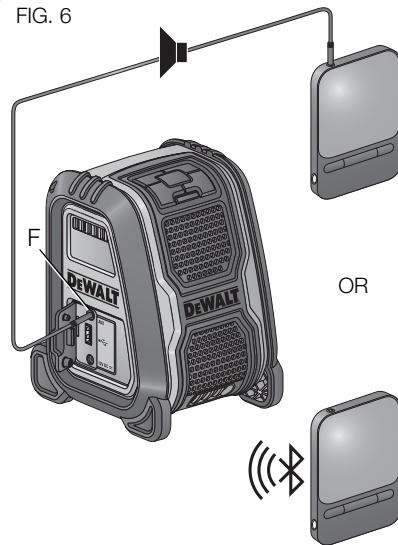




### Functionality (Fig. 6, 7)

Audio can be played through the speaker via a wireless Bluetooth® connection to a compatible Bluetooth® device or by connecting audio device or mobile phone using a 1/8" (3.5 mm) audio cable to the audio port (F).

FIG. 6



### POWERING THE SPEAKER ON AND OFF (FIG. 7)

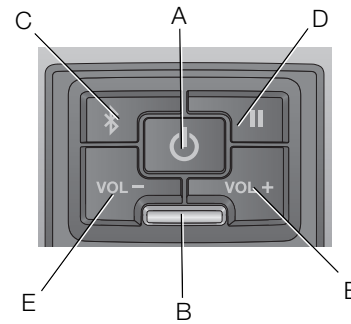
Pressing the power button (A) will turn the speaker on or off. When turned on, the LED indicator (B) will indicate the speaker's status.

Upon initial use, the speaker will require pairing. To pair speaker to a Bluetooth® device refer to **Pairing Speaker with a Bluetooth® Audio Device.**

### LED SPEAKER STATUS INDICATOR

LED indicator	Status/Mode
Steady blinking (half second interval)	Speaker is unpaired or in connecting mode.
Rapid Blinking	Speaker is in pairing mode and discoverable by your device.
Solid light	Speaker is connected with a device.
No light	Speaker has timed out and/or is off.

FIG. 7



**PAIRING SPEAKER WITH A BLUETOOTH® AUDIO DEVICE (FIG. 6, 7)**

1. Place the speaker and the Bluetooth® audio source within 3.3' (1 m) of each other.
2. Turn speaker on by pressing the power button (A). The LED (B) will light solid for 4 seconds to indicate the apparatus powered on successfully and then go into a half second interval blink pattern.
3. Press the Bluetooth® pairing button (C). The LED indicator light blinks rapidly indicating the speaker is in pairing mode and is discoverable by your Bluetooth® device.
4. Confirm pairing on your device. (Please consult your device's instruction manual for specific pairing instructions.)  
**NOTE:** If pairing is not confirmed within 2 minutes, the LED will stop flashing and the speaker will return to half second interval blink pattern.
5. Once pairing is successful the LED indicator (B) will turn solid and the speaker will emit a short tone. The speaker will now play music from your device.

**CONNECTING A PREVIOUSLY PAIRED BLUETOOTH® AUDIO DEVICE (FIG. 1, 7)**

If a Bluetooth® device has been previously paired to the speaker it should automatically reconnect when speaker is powered on. After 4 seconds the speaker will go into connecting mode. This is indicated by the LED (B) blinking steady. Once the previously paired Bluetooth® device is recognized and connected, the LED will go solid. If connection does not occur and you are unable to stream music please follow the instructions for **Pairing Speaker with a Bluetooth® Audio Device**.

**ADJUSTING THE SPEAKER VOLUME (FIG. 7)**

The speaker volume can be decreased or increased by using the corresponding volume buttons (E). Pressing the "VOL +" button increases the volume. Pressing the "VOL -" decreases the volume. The pause button (D) can silence the speaker at any volume by being pressed once. Pressing the pause button again will unpauses the speaker. The speaker will emit a tone when the maximum or minimum volume is reached.

**TIMEOUT FUNCTIONALITY (FIG. 1)**

To conserve battery life the speaker is designed to power off automatically after an hour of inactivity. This inactivity could be due to the device being unpaired for an hour or in the case of the Bluetooth® connection being broken for the same period of time. If the speaker powers off due to inactivity of any kind refer to **Connecting a Previously Paired Bluetooth® Audio Device**.

**NOTE:** Optimum Bluetooth® streaming range is roughly 30 ft (9 m) (line of sight) to the speaker but distances up to 100 feet (30 m) are possible. Physical obstacles, other wireless devices or electromagnetic devices may affect the connection quality.

If Bluetooth® connection is lost due to exceeding time of separation, exceeding the optimum distance, obstacles or otherwise, reconnecting your device with the speaker may be necessary.

**CHARGING A CELL PHONE OR AUDIO DEVICE VIA USB (FIG. 1)**

Your audio device or mobile phone can be charged using the USB power port (G) on the speaker. This charging is possible when unit is on, running off of AC plug power or the battery pack.

### **Important Bluetooth® Speaker Notes**

1. When receiving a phone call on a mobile phone which is streaming to the Bluetooth® speaker, music playback stops. After phone call is finished, music resumes playing.

#### **PHONE CALL AUDIO THROUGH BLUETOOTH SPEAKER**

Depending on your device it may be possible to have the audio from a phone call play through the Bluetooth® Speaker. This is dependent on the device and the way the device's settings are configured. Please refer to the device's owner's manual for capability and settings information.

2. Due to the characteristics of Bluetooth® technology, the sound heard through the Bluetooth® speaker is slightly delayed from the sound played on your audio device or mobile phone while talking on a phone call or streaming music.

### **MAINTENANCE**

**⚠ WARNING:** *To reduce the risk of serious personal injury, turn apparatus off and unplug or remove the battery pack before making any adjustments or removing/installing attachments or accessories.*

#### **Cleaning**

**⚠ WARNING:** *Never use solvents or other harsh chemicals for cleaning the non-metallic parts of the apparatus. These chemicals may weaken the plastic materials used in these parts. Use a cloth dampened only with water and mild soap. Never let any liquid get inside the apparatus; never immerse any part of the apparatus into a liquid.*

### **Accessories**

**⚠ WARNING:** *Since accessories, other than those offered by DEWALT, have not been tested with this product, use of such accessories with this tool could be hazardous. To reduce the risk of injury, only DEWALT recommended accessories should be used with this product.*

Recommended accessories for use with your tool are available at extra cost from your local dealer or authorized service center. If you need assistance in locating any accessory, please contact DEWALT Industrial Tool Co., 701 East Joppa Road, Towson, MD 21286, call 1-800-4-DEWALT (1-800-433-9258) or visit our website: [www.dewalt.com](http://www.dewalt.com).

### **Repairs**

To assure product SAFETY and RELIABILITY, repairs, maintenance and adjustment (including brush inspection and replacement) should be performed by a DEWALT factory service center, a DEWALT authorized service center or other qualified service personnel. Always use identical replacement parts.

### **Register Online**

Thank you for your purchase. Register your product now for:

- **WARRANTY SERVICE:** Registering your product will help you obtain more efficient warranty service in case there is a problem with your product.
- **CONFIRMATION OF OWNERSHIP:** In case of an insurance loss, such as fire, flood or theft, your registration of ownership will serve as your proof of purchase.



- **FOR YOUR SAFETY:** Registering your product will allow us to contact you in the unlikely event a safety notification is required under the Federal Consumer Safety Act.

Register online at [www.dewalt.com/register](http://www.dewalt.com/register).

### **Three Year Limited Warranty**

DEWALT will repair, without charge, any defects due to faulty materials or workmanship for three years from the date of purchase. This warranty does not cover part failure due to normal wear or tool abuse. For further detail of warranty coverage and warranty repair information, visit [www.dewalt.com](http://www.dewalt.com) or call 1-800-4-DEWALT (1-800-433-9258). This warranty does not apply to accessories or damage caused where repairs have been made or attempted by others. This warranty gives you specific legal rights and you may have other rights which vary in certain states or provinces.

In addition to the warranty, DEWALT tools are covered by our:

#### **1 YEAR FREE SERVICE**

DEWALT will maintain the tool and replace worn parts caused by normal use, for free, any time during the first year after purchase.

#### **90 DAY MONEY BACK GUARANTEE**

If you are not completely satisfied with the performance of your DEWALT Power Tool, Laser, or Nailer for any reason, you can return it within 90 days from the date of purchase with a receipt for a full refund – no questions asked.

**LATIN AMERICA:** This warranty does not apply to products sold in Latin America. For products sold in Latin America, see country specific warranty information contained in the packaging, call the local company or see website for warranty information.

**FREE WARNING LABEL REPLACEMENT:** If your warning labels become illegible or are missing, call 1-800-4-DEWALT (1-800-433-9258) for a free replacement.



**English**

### Définitions : lignes directrices en matière de sécurité

Les définitions ci-dessous décrivent le niveau de danger pour chaque mot-indicateur employé. Lire le mode d'emploi et porter une attention particulière à ces symboles.

**⚠ DANGER** : indique une situation dangereuse imminente qui, si elle n'est pas évitée, **entraînera la mort ou des blessures graves.**

**⚠ AVERTISSEMENT** : indique une situation potentiellement dangereuse qui, si elle n'est pas évitée, **pourrait entraîner la mort ou des blessures graves.**

**⚠ ATTENTION** : indique une situation potentiellement dangereuse qui, si elle n'est pas évitée, **pourrait entraîner des blessures légères ou modérées.**

**AVIS** : indique une pratique ne posant **aucun risque de dommages corporels** mais qui par contre, si rien n'est fait pour l'éviter, **pourrait poser des risques de dommages matériels.**

POUR TOUTE QUESTION OU REMARQUE AU SUJET DE CET OUTIL OU DE TOUT AUTRE OUTIL DEWALT, COMPOSEZ LE NUMÉRO SANS FRAIS : **1-800-4-DEWALT (1-800-433-9258)**.



**AVERTISSEMENT** : afin de réduire le risque de blessures, lire le mode d'emploi de l'outil.

### Consignes générales de sécurité



**AVERTISSEMENT!** lire tous les avertissements de sécurité et toutes les directives. Le non-respect des avertissements et des directives pourrait se solder par un choc électrique, un incendie et/ou une blessure grave.

### CONSERVER TOUS LES AVERTISSEMENTS ET TOUTES LES DIRECTIVES POUR UN USAGE ULTÉRIEUR

#### Consignes de sécurité importantes

1. Lire ces directives.
2. Conserver ces directives.
3. Respecter tous les avertissements.
4. Suivre toutes les directives.
5. Ne pas utiliser cet appareil à proximité d'eau.
6. N'utiliser qu'un chiffon sec pour le nettoyage.
7. Ne bloquer aucun orifice d'aération. Installer conformément aux directives du fabricant.
8. Ne pas installer à proximité de sources de chaleur, tels radiateurs, registres de chaleur, cuisinières ou tout autre appareil (y compris les amplificateurs).
9. Ne pas annihiler le but sécuritaire de la fiche polarisée ou mise à la terre. Une fiche polarisée possède deux lames dont l'une est plus large que l'autre. Une fiche mise à la terre possède deux lames et une troisième broche mise à la terre. La large lame ou la troisième broche ont été installée pour assurer votre sécurité. Si la fiche fournie de rentre pas dans la prise utilisée, consulter un électricien pour faire changer cette prise désuète.
10. Protéger le cordon d'alimentation contre tout piétinement ou constriction particulièrement au niveau des fiches, des prises, et au point de sortie des appareils.

11. Utiliser exclusivement des accessoires recommandés par le fabricant.
12. Débrancher l'appareil pendant les orages, ou lorsqu'il restera inutilisé pendant une période prolongée.
13. Confier l'entretien de l'appareil aux soins d'un personnel qualifié. Faire systématiquement entretenir l'appareil en cas de dommages quelconques, tels que : le cordon électrique, ou une fiche, a été endommagé, un liquide ou un objet a pénétré dans l'appareil, l'appareil a été exposé à la pluie ou à l'humidité, il ne fonctionne pas normalement ou il a fait une chute.
14. Protéger l'appareil de tout liquide, ou éclaboussure, et ne disposer aucun objet rempli d'un liquide, (un vase par exemple) sur l'appareil.



Le symbole de l'éclair avec une flèche au sein d'un triangle a pour but de prévenir l'utilisateur que certaines pièces au sein du produit posent des risques de chocs électriques pour l'individu.



Le point d'exclamation au sein d'un triangle a pour but de prévenir l'utilisateur que des instructions importantes d'utilisation et d'entretien sont incluses dans les documents propres à l'appareil.

### **Règles de sécurité additionnelles propres aux haut-parleurs Bluetooth<sup>MD</sup>**

- **NE PAS** éclabousser l'appareil ou l'immerger dans l'eau ou dans tout autre liquide.
- Tout changement ou toute modification à l'appareil qui ne serait pas expressément homologué par le tiers responsable de sa conformité pourra annuler les droits de l'utilisateur à employer cet équipement.

**REMARQUE :** le terme et les logos Bluetooth<sup>MD</sup> sont des marques déposées appartenant à Bluetooth<sup>MD</sup>, SIG, Inc. et toute utilisation de ces marques par DEWALT est autorisée par licence. Toute autre marque de commerce et appellation commerciale reste la propriété de leurs propriétaires respectifs.

- Cet appareil numérique de Classe B est conforme aux normes canadiennes ICES-003.
- Cet appareil est conforme au paragraphe 15 du règlement du FCC. Son utilisation est sujette aux deux conditions suivantes :
  - 1) Ce dispositif ne doit pas causer d'interférences nuisibles;
  - 2) Ce dispositif doit accepter toute interférence reçue, y compris toute interférence pouvant causer un fonctionnement indésirable.

**REMARQUE :** cet équipement a été testé et jugé conforme aux limites propres aux appareils numériques de Classe B, conformément au Paragraphe 15 du règlement du FCC. Ces limites sont destinées à offrir une protection raisonnable contre les interférences nuisibles d'une installation résidentielle. Cet équipement produit, utilise et peut émaner des ondes radiofréquences et, s'il n'est pas installé et utilisé conformément aux directives du fabricant, peut causer des interférences nuisibles aux communications radio. En fonction des installations réalisées, il n'est cependant pas garanti que toute interférence soit exclue. Si cet équipement cause des interférences nuisibles à toute réception radio ou télévision, ce qui peut être déterminé en allumant et éteignant l'équipement, l'utilisateur est encouragé à tenter de corriger ces interférences en prenant l'une ou plusieurs des mesures suivantes :

- Réorienter l'antenne de réception ou en changer l'emplacement;
- Augmenter la distance entre l'équipement et le récepteur;
- Brancher l'équipement à une prise située sur un circuit différent de celui sur lequel le récepteur est connecté;



- Contacter le détaillant ou consulter un technicien radio/télé qualifié.
- L'étiquette apposée sur votre outil peut inclure les symboles suivants. La plaque signalétique se trouve sur la partie inférieure de l'appareil. Les symboles et leur définition sont indiqués ci-après :
 

V..... volts	A..... ampères
Hz..... hertz	W..... watts
min ..... minutes	~ ou AC..... courant alternatif
=== ou DC... courant continu	⋈ ou AC/DC... courant alternatif ou continu
Ⓛ..... classe I fabrication (mis à la terre)	Ⓜ..... classe II fabrication (double isolation)
.../min ..... par minute	⊕ ..... borne de terre
IPM..... impacts par minute	⚠..... symbole d'avertissement
BPM..... battements par minute	r/min..... tours par minute
sfpm ..... pieds linéaires par minute (plpm)	SPM (FPM)..... fréquence par minute

### Consignes importantes de sécurité propres à tous les blocs-piles

Pour commander un bloc-piles de rechange, s'assurer d'inclure son numéro de catalogue et sa tension. Consulter le tableau en dernière page de ce manuel pour connaître les compatibilités entre chargeurs et blocs-piles.

Le bloc-piles n'est pas totalement chargé d'usine. Avant d'utiliser le bloc-piles et le chargeur, lire les consignes de sécurité ci-dessous. Puis suivre la procédure de charge indiquée.

### LIRE TOUTES LES CONSIGNES

- **Ne pas recharger ou utiliser un bloc-piles en milieu déflagrant, en présence, par exemple, de poussières, gaz ou liquides inflammables.** Le fait d'insérer ou retirer un bloc-piles de son chargeur pourrait causer l'inflammation de poussières ou d'émanations.
- **NE JAMAIS forcer l'insertion d'un bloc-piles dans un chargeur. NE modifier un bloc-piles d'AUCUNE façon pour le faire rentrer dans un chargeur incompatible, car il pourrait se briser et causer des dommages corporels graves.** Consulter le tableau en dernière page de ce manuel pour connaître les compatibilités entre chargeurs et blocs-piles.
- Recharger les blocs-piles exclusivement dans des chargeurs DEWALT.
- **NE PAS** éclabousser le bloc-piles ou l'immerger dans l'eau ou dans tout autre liquide.
- **Ne pas entreposer ou utiliser l'appareil et le bloc-piles en présence de températures ambiantes pouvant excéder 40 °C (105 °F) (comme dans des hangars ou des bâtiments métalliques l'été).** Pour préserver leur durée de vie, entreposer les blocs-piles dans un endroit frais et sec.
- **⚠AVERTISSEMENT :** risques d'incendie. Ne jamais tenter d'ouvrir le bloc-piles pour quelque raison que ce soit. Si le boîtier du bloc-piles est fissuré ou endommagé, ne pas l'insérer dans un chargeur. Ne pas écraser, laisser tomber, ou endommager les blocs-piles. Ne pas utiliser un bloc-piles ou un chargeur qui a reçu un choc violent, ou si l'appareil est tombé, a été écrasé ou endommagé de quelque façon.

que ce soit (p. ex. percé par un clou, frappé d'un coup de marteau, piétiné). Les blocs-piles endommagés doivent être renvoyés à un centre de réparation pour y être recyclés.

**⚠️AVERTISSEMENT : risques d'incendie. Au moment de ranger ou transporter le bloc-piles, s'assurer qu'aucun objet métallique n'entre en contact avec les bornes à découvert du bloc-piles.** Par exemple, éviter de placer un bloc-piles dans un tablier, une poche, une boîte à outils ou un tiroir, etc. contenant des objets tels que des clous, des vis, des clés, etc. **Le fait de transporter des bloc-piles comporte des risques d'incendie, car les bornes des piles pourraient entrer, par inadvertance, en contact avec des objets conducteurs, tels que : clés, pièces de monnaie, outils ou autres.** La réglementation sur les produits dangereux (Hazardous Material Regulations) du département américain des transports interdit, en fait, le transport des piles pour le commerce ou dans les avions (ex : dans les bagages enregistrés ou à main) À MOINS qu'elles ne soient correctement protégées contre tout court-circuit. Aussi lors du transport individuel de blocs-piles, s'assurer que leurs bornes sont bien protégées et isolées de tout matériau pouvant entrer en contact avec elles et provoquer un court-circuit.

#### **CONSIGNES DE SÉCURITÉ PROPRES AUX PILES AU LITHIUM-ION (Li-Ion)**

- **Ne pas incinérer le bloc-piles même s'il est sévèrement endommagé ou complètement usagé, car il pourrait exploser et causer un incendie.** Pendant l'incinération des blocs-piles au lithium-ion, des vapeurs et matières toxiques sont dégagées.
- **En cas de contact du liquide de la pile avec la peau, rincer immédiatement au savon doux et à l'eau.** En cas de contact oculaire, rincer l'œil ouvert à l'eau claire une quinzaine de minutes ou jusqu'à ce que l'irritation cesse. Si des soins médicaux s'avéraient nécessaires, noter que l'électrolyte de la pile est

composé d'un mélange de carbonates organiques liquides et de sels de lithium.

- **Le contenu des cellules d'une pile ouverte peut causer une irritation respiratoire.** En cas d'inhalation, exposer l'individu à l'air libre. Si les symptômes persistent, consulter un médecin.

**⚠️AVERTISSEMENT : risques de brûlure.** Le liquide de la pile peut s'enflammer s'il est exposé à des étincelles ou à une flamme.

#### **Le sceau SRPRC<sup>MC</sup>**

Le sceau SRPRC<sup>MC</sup> (Société de recyclage des piles rechargeables au Canada) apposé sur une pile au nickel-cadmium, à hydrure métallique de nickel ou au lithium-ion (ou un bloc-piles) indique que les coûts de recyclage de ces derniers en fin d'utilisation ont déjà été réglés par DEWALT. Dans certaines régions, la mise au rebut ou aux ordures municipales des piles au nickel-cadmium, à l'hydrure métallique de nickel ou au lithium-ion, est illégale ; le programme de SRPRC constitue donc une solution pratique et écologique.

La SRPRC<sup>MC</sup>, en collaboration avec DEWALT et d'autres utilisateurs de piles, a mis sur pied des programmes aux États-Unis et au Canada pour faciliter la collecte des piles au nickel-cadmium, à l'hydrure métallique de nickel ou au lithium-ion usagées. Aidez-nous à protéger l'environnement et à conserver nos ressources naturelles en renvoyant les piles au nickel-cadmium, à l'hydrure métallique de nickel ou au lithium-ion usagées à un centre de réparation autorisé DEWALT ou chez votre détaillant afin qu'elles y soient recyclées. On peut en outre se renseigner auprès d'un centre de recyclage local pour connaître d'autres sites les acceptant.

SRPRC<sup>MC</sup> est une marque déposée de la Société de recyclage des piles rechargeables au Canada.



**Français**

## Directives de sécurité importantes propres à tous les chargeurs de piles

**CONSERVER CES INSTRUCTIONS** : ce manuel contient des directives de sécurité et d'utilisation importantes propres aux chargeurs de piles.

- Avant d'utiliser le chargeur, lire toute consigne et tout avertissement apposés sur le chargeur, le bloc-piles et le produit utilisant le bloc-piles.

**⚠AVERTISSEMENT** : risques de chocs électriques. Ne laisser aucun liquide pénétrer dans le chargeur, des chocs électriques pourraient en résulter.

**⚠ATTENTION** : risques de brûlure. Pour réduire tout risque de dommages corporels, ne recharger que des blocs-piles rechargeables DEWALT. Tout autre type de piles pourrait exploser et causer des dommages corporels et matériels.

**AVIS** : sous certaines conditions, lorsque le chargeur est connecté au bloc d'alimentation, des matériaux étrangers pourraient court-circuiter le chargeur. Les corps étrangers conducteurs tels que (mais pas limité à) poussières de rectification, débris métalliques, laine d'acier, feuilles d'aluminium, ou toute accumulation de particules métalliques doivent être maintenus à distance des orifices du chargeur. Débrancher systématiquement le chargeur lorsque le bloc-piles n'y est pas inséré. Débrancher systématiquement le chargeur avant tout entretien.

**⚠AVERTISSEMENT** :

- **NE PAS tenter de charger de bloc-piles avec des chargeurs autres que ceux décrits dans ce manuel.** Le chargeur et son bloc-piles ont été conçus tout spécialement pour fonctionner ensemble.

- **Ces chargeurs n'ont pas été conçus pour une utilisation autre que recharger les blocs-piles rechargeables DEWALT.** Toute autre utilisation comporte des risques d'incendie, de chocs électriques ou d'électrocution.
- **Protéger le chargeur de la pluie ou de la neige.**
- **Tirer sur la fiche plutôt que sur le cordon pour débrancher le chargeur.** Cela permet de réduire les risques d'endommager la fiche ou le cordon d'alimentation.
- **S'assurer que le cordon est protégé de manière à ce que personne ne marche ni ne trébuche dessus, ou à ce qu'il ne soit ni endommagé ni soumis à aucune tension.**
- **N'utiliser une rallonge qu'en cas de nécessité absolue.** L'utilisation d'une rallonge inadéquate comporte des risques d'incendie, de chocs électriques ou d'électrocution.
- **Pour utiliser un chargeur à l'extérieur, le placer dans un endroit sec et utiliser une rallonge conçue pour l'extérieur.** L'utilisation d'une rallonge conçue pour l'extérieur réduit les risques de chocs électriques.
- **Pour la sécurité de l'utilisateur, utiliser une rallonge de calibre adéquat (AWG, American Wire Gauge [calibrage américain normalisé des fils électriques]).** Plus le calibre est petit, et plus sa capacité est grande. Un calibre 16, par exemple, a une capacité supérieure à un calibre 18. L'usage d'une rallonge de calibre insuffisant causera une chute de tension qui entraînera perte de puissance et surchauffe. Si plus d'une rallonge est utilisée pour obtenir une certaine longueur, s'assurer que chaque rallonge présente au moins le calibre de fil minimum. Le tableau ci-dessous illustre les calibres à utiliser selon la longueur de rallonge et l'intensité nominale indiquée sur la plaque signalétique. En cas de doute, utiliser le calibre suivant. Plus le calibre est petit, plus la rallonge peut supporter de courant.



Calibres minimaux des rallonges						
Intensité (en ampères)		volts	Longueur totale de cordon en mètres (pieds)			
		120 V	7,6 (25)	15,2 (50)	30,5 (100)	45,7 (150)
		240 V	15,2 (50)	30,5 (100)	61,0 (200)	91,4 (300)
Supérieur à	Inférieur à	AWG				
0	6	18	16	16	14	
6	10	18	16	14	12	
10	12	16	16	14	12	
12	16	14	12	Non recommandé		

- **Ne poser aucun objet sur le chargeur. Ne pas mettre le chargeur sur une surface molle qui pourrait en bloquer la ventilation et provoquer une surchauffe interne.** Éloigner le chargeur de toute source de chaleur. Le chargeur dispose d'orifices d'aération sur le dessus et le dessous du boîtier.
- **Ne pas le faire fonctionner avec un cordon d'alimentation ou une fiche endommagée.**
- **Ne pas utiliser le chargeur s'il a reçu un coup, fait une chute ou a été endommagé de quelque façon que ce soit.** Le ramener dans un centre de réparation agréé.
- **Ne pas démonter le chargeur. Pour tout service ou réparation, le rapporter dans un centre de réparation agréé.** Le fait de le réassembler de façon incorrecte comporte des risques de chocs électriques, d'électrocution et d'incendie.
- **Débrancher le chargeur du secteur avant tout entretien.** Cela réduira tout risque de chocs électriques. Le fait de retirer le bloc-piles ne réduira pas ces risques.

- **NE JAMAIS tenter de connecter 2 chargeurs ensemble.**
- **Le chargeur a été conçu pour être alimenté en courant électrique domestique standard de 120 volts. Ne pas tenter de l'utiliser avec toute autre tension.** Cela ne s'applique pas aux chargeurs de postes mobiles.

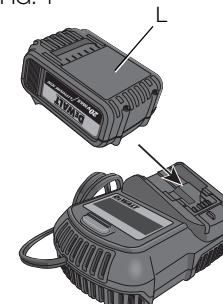
## Chargeurs

L'haut-parleur utilisé un chargeur DEWALT. S'assurer de bien lire toutes les directives de sécurité avant d'utiliser le chargeur. Consulter le tableau figurant à la fin du présent mode d'emploi pour connaître la compatibilité des chargeurs et des blocs-piles.

### Procédure de charge (Fig. 1)

1. Branchez le chargeur dans la prise appropriée avant d'y insérer le bloc-piles.
2. Insérez le bloc-piles (L) dans le chargeur, comme illustré en Figure 1, en vous assurant qu'il y est correctement calé. Le voyant rouge (charge) clignotera de façon continue indiquant que le cycle de chargement a commencé.
3. En fin de charge, le voyant rouge restera ALLUMÉ de façon continue. Le bloc-piles est alors complètement chargé et peut être utilisé ou laissé dans le chargeur.

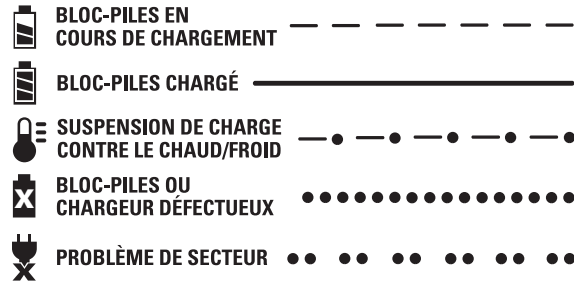
FIG. 1



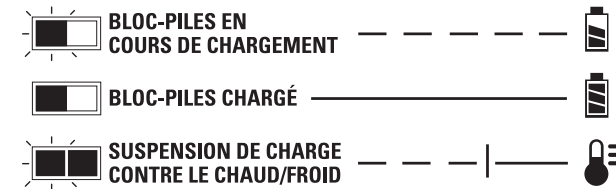
Français

## Fonctionnement du voyant

### DCB101



### DCB107, DCB112



## Voyants de charge

Ce chargeur a été conçu pour détecter les problèmes pouvant survenir. Un voyant rouge clignotant rapidement indique qu'il y a un problème. Dans cette éventualité, réinsérez le bloc-piles dans le chargeur. Si le problème persiste, essayez un autre bloc-piles pour déterminer si le chargeur fonctionne. Si le nouveau bloc-piles se recharge correctement, le bloc-piles initial est endommagé et doit être retourné dans un centre de réparation ou tout autre site de

récupération pour y être recyclé. Si l'on obtient le même résultat avec le nouveau bloc-piles, faites vérifier le chargeur et le bloc-piles chez un centre de réparation agréé.

## FONCTION DE SUSPENSION DE CHARGE CONTRE LE CHAUD/FROID

### DCB101

Ce chargeur est équipé d'une fonction de suspension de charge contre le chaud/froid. Lorsque le chargeur détecte un bloc-piles chaud, il démarre automatiquement la fonction de suspension de charge contre le chaud, en suspendant le chargement jusqu'au refroidissement de ce dernier. Une fois le bloc-piles refroidi, le chargeur se met automatiquement en mode de chargement. Cette caractéristique assure aux blocs-piles une durée de vie maximale. Le voyant rouge clignote longuement, puis rapidement en mode de suspension de charge contre le chaud/froid.

### DCB107, DCB112

Les chargeurs DCB107 et DCB112 sont équipés d'une fonction de suspension de charge contre le chaud/froid. Lorsque le chargeur détecte un bloc-piles chaud, il suspend automatiquement le chargement du bloc-piles jusqu'à son refroidissement. Lorsque le chargeur détecte un bloc-piles froid, il suspend automatiquement le chargement du bloc-piles jusqu'à son réchauffement.

Le voyant rouge continuera de clignoter, mais un voyant jaune s'illuminera pendant l'opération. Le voyant jaune s'éteint lorsque le chargeur reprend procédure de charge normale.

### LAISSER LE BLOC-PILES DANS LE CHARGEUR

Le chargeur et son bloc-piles peuvent rester connectés, le voyant du chargeur affichant alors Bloc-piles chargé.

**BLOCS-PILES FAIBLES** : les blocs-piles faibles continueront de fonctionner, mais il faudra s'attendre à un rendement moindre.

**BLOCS-PILES DÉFECTUEUX :** ce chargeur ne pourra recharger un bloc-piles défectueux. Le chargeur indiquera qu'un bloc-piles est défectueux en refusant de s'allumer ou en affichant bloc-piles ou chargeur défectueux.

**REMARQUE :** cela pourra aussi indiquer un problème avec le chargeur.

#### **PROBLÈME AVEC LE SECTEUR (DCB101)**

Certains chargeurs présentent un voyant pour tout problème avec le secteur. Lorsque le chargeur est utilisé avec des blocs d'alimentation portatifs comme des génératrices ou des alternateurs, il pourrait temporairement s'arrêter de marcher, auquel cas un voyant rouge émet deux clignotements rapides suivis d'une pause. Cela indique que le bloc d'alimentation est hors tolérance.

### **Installation murale**

#### **DCB107, DCB112**

Ces chargeurs ont été conçus pour une installation murale ou pour être posés sur une table ou une surface de travail.

Pour une fixation murale, installez le chargeur à proximité d'une prise électrique. Fixez soigneusement le chargeur au mur à l'aide de vis à placoplâtre d'au moins 25,4 mm (1 po) de long. Vissez-les dans le bois en laissant une longueur d'environ 5,5 mm (7/32 po) exposée.

### **Remarques importantes concernant le chargement**

1. Pour augmenter la durée de vie du bloc-piles et optimiser son rendement, le recharger à une température ambiante de 18 ° à 24 °C (65 °F à 75 °F). NE PAS recharger le bloc-piles à une température inférieure à + 4,5 °C (+ 40 °F) ou supérieure à + 40,5 °C (+ 105 °F). C'est important pour prévenir tout dommage sérieux au bloc-piles.

2. Le chargeur et son bloc-piles peuvent devenir chauds au toucher pendant la charge. C'est normal et ne représente en aucun cas une défaillance du produit. Pour faciliter le refroidissement du bloc-piles après utilisation, éviter de laisser le chargeur ou le bloc-piles dans un local où la température ambiante est élevée comme dans un hangar métallique ou une remorque non isolée.
3. Un bloc-piles froid se rechargera deux fois moins vite qu'un bloc-piles chaud. Le bloc-piles se rechargera à un rythme plus lent tout au cours du cycle de charge et ne retournera pas à sa capacité maximale de charge même s'il venait à se réchauffer.
4. Si le bloc-piles ne se recharge pas correctement :
  - a. Vérifier le bon fonctionnement de la prise en y branchant une lampe ou tout autre appareil électrique.
  - b. Vérifier que la prise n'est pas contrôlée par un interrupteur qui coupe le courant lorsqu'on éteint les lumières.
  - c. Déplacer le chargeur et le bloc-piles dans un local où la température ambiante se trouve entre environ 18 ° et 24 °C (65 °F et 75 °F).
  - d. Si le problème persiste, amener l'appareil, le bloc-piles et son chargeur dans un centre de réparation local.
5. Recharger le bloc-piles lorsqu'il ne produit plus assez de puissance pour effectuer un travail qu'il faisait facilement auparavant. NE PAS CONTINUER à l'utiliser dans ces conditions. Suivre la procédure de charge. Si nécessaire, il est aussi possible de recharger un bloc-piles partiellement déchargé sans effet nuisible sur le bloc-piles.
6. Les corps étrangers conducteurs tels que (mais pas limité à) poussières de rectification, débris métalliques, laine d'acier, feuilles d'aluminium, ou toute accumulation de particules métalliques doivent être maintenus à distance des orifices du chargeur.



Débrancher systématiquement le chargeur lorsque le bloc-piles n'y est pas inséré. Débrancher systématiquement le chargeur avant tout entretien.

7. Ne pas congeler ou immerger le chargeur dans l'eau ou tout autre liquide.

**⚠️AVERTISSEMENT :** risques de chocs électriques. Ne laisser aucun liquide pénétrer dans le chargeur, des chocs électriques pourraient en résulter.

**⚠️AVERTISSEMENT :** risque de brûlure. Ne submerger le bloc-piles dans aucun liquide et le protéger de toute infiltration de liquide. Ne jamais tenter d'ouvrir le bloc-piles pour quelque raison que ce soit. Si le boîtier plastique du bloc-piles est brisé ou fissuré, le retourner dans un centre de réparation pour y être recyclé.

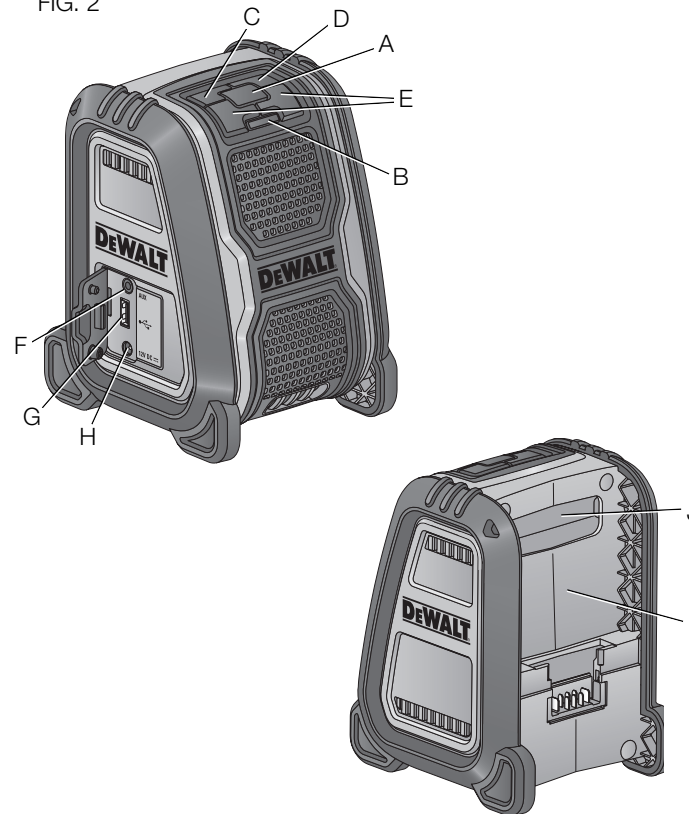
### Recommandations de stockage

1. Le lieu idéal de rangement est un lieu frais et sec, à l'abri de toute lumière solaire directe et de toute température excessive.
2. Pour un stockage prolongé, il est recommandé d'entreposer le bloc-piles pleinement chargé dans un lieu frais et sec, hors du chargeur pour optimiser les résultats.

**REMARQUE :** les blocs-piles ne devraient pas être entreposés complètement déchargés. Il sera nécessaire de recharger le bloc-piles avant réutilisation.

### CONSERVER CES CONSIGNES POUR UTILISATION ULTÉRIEURE

FIG. 2



## DESCRIPTION (Fig. 2)

**⚠AVERTISSEMENT :** ne jamais modifier l'appareil ni aucun de ses composants, car cela pose des risques de dommages corporels ou matériels.

- |   |                            |
|---|----------------------------|
| A. Interrupteur                                 | F. Prise audio aux.        |
| B. Voyant DEL                                   | G. Port USB d'alimentation |
| C. Bouton d'appariement Bluetooth <sup>MD</sup> | H. Prise d'alimentation CA |
| D. Bouton de pause                              | I. Logement du bloc-piles  |
| E. Boutons de volume +/-                        | J. Poignée de transport    |

## USAGE PRÉVU

Ce haut-parleur Bluetooth<sup>MD</sup> DEWALT a été conçu pour jouer/transmettre en continu au travers d'une connexion sans fil Bluetooth<sup>MD</sup> ou d'une connexion filaire avec un téléphone mobile ou tout autre appareil audio.

**NE PAS** l'utiliser en milieu ambiant humide ou en présence de liquides ou de gaz inflammables.

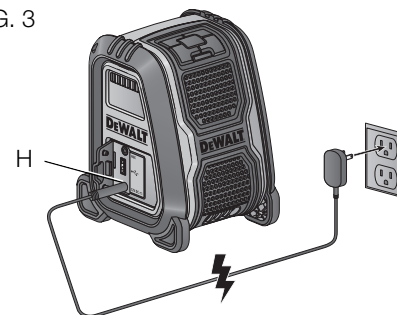
**NE PAS** laisser l'appareil à la portée des enfants. Une supervision est nécessaire lorsqu'un utilisateur non expérimenté utilise l'appareil.

## UTILISATION

**⚠AVERTISSEMENT :** pour réduire tout risque de dommages corporels graves, arrêter l'appareil et le débrancher ou retirer son bloc-piles avant tout réglage ou avant de retirer ou installer toute pièce ou tout accessoire.

Le haut-parleur peut fonctionner sur alimentation CC (bloc-piles) ou avec fiche d'adaptateur CA. Pour alimenter le haut-parleur avec l'adaptateur CA, branchez l'adaptateur dans la prise appropriée puis connectez-le au haut-parleur avec la prise d'alimentation CA (H, Fig. 3). Le bloc-pile ne se rechargera pas lorsque l'appareil sera connecté à l'adaptateur CA.

FIG. 3



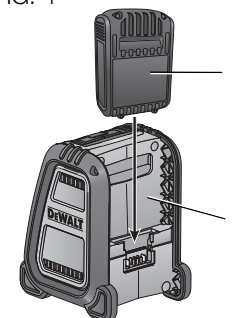
## Installation et retrait du bloc-piles (Fig. 4)

**REMARQUE :** pour optimiser les résultats, s'assurer que le bloc-piles est complètement chargé.

Pour installer le bloc-piles (L) dans le logement du bloc-piles (I), alignez le bloc-piles sur les rails latéraux du logement puis poussez-le jusqu'à ce qu'il y soit fermement installé. Assurez-vous qu'il n'en sortira pas.

Pour retirer le bloc-piles de l'appareil, poussez sur le bouton de libération et tirez fermement le bloc-piles hors de son logement. Insérez-le dans son chargeur comme décrit dans la section appropriée de ce guide d'utilisation.

FIG. 4

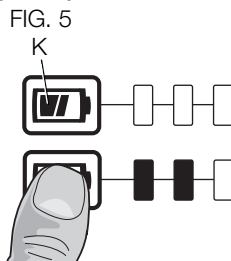


Français

### TÉMOIN DE CHARGE DU BLOC-PILES (FIG. 5)

Certains blocs-piles DEWALT possèdent un témoin de charge qui consiste en trois voyants Del verts indiquant le niveau de charge du bloc-piles.

Pour activer le témoin de charge, maintenez appuyé le bouton du témoin de charge (K). Une combinaison des trois voyants Del verts s'allumera indiquant le niveau de charge. Lorsque le niveau de charge du bloc-pile atteint la limite minimale d'utilisation, le témoin de charge reste éteint et le bloc-piles doit être rechargé.



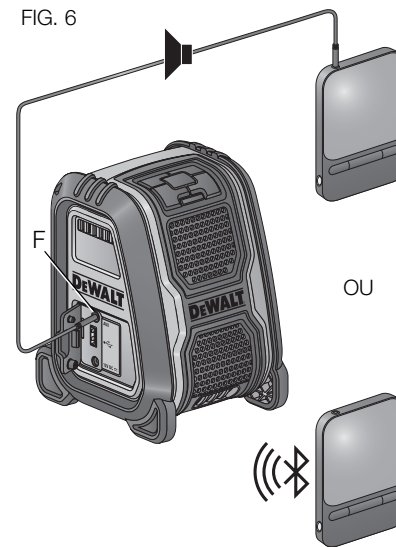
**REMARQUE :** le témoin de charge ne fait qu'indiquer le niveau de charge du bloc-piles. Il ne donne aucune indication quant au fonctionnement de l'appareil. Son propre fonctionnement pourra aussi varier en fonction des composants produit, de la température et de l'application d'utilisation.

Pour plus d'informations quant au témoin de charge du bloc-piles, veuillez appeler le 1-800-4-DEWALT (1-800-433-9258) ou vous rendre sur notre site [www.dewalt.com](http://www.dewalt.com).

### Fonctionnalités (Fig. 6, 7)

L'audio peut être écoutée avec le haut-parleur au travers de la connexion sans fil Bluetooth<sup>MD</sup> avec un appareil Bluetooth<sup>MD</sup> compatible ou en le connectant à un appareil audio ou à un téléphone mobile à l'aide d'un câble audio de 3,5 mm (1/8 pi) à l'aide de la prise audio (F).

FIG. 6



### MISE EN MARCHÉ ET ARRÊT DU HAUT-PARLEUR (FIG. 7)

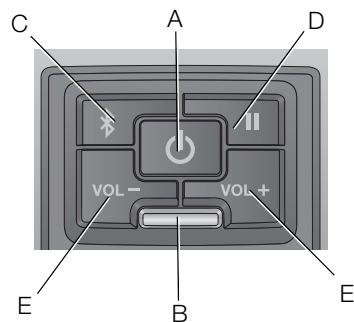
Appuyer sur l'interrupteur (A) allumera ou éteindra le haut-parleur. Une fois allumé, le voyant DEL (B) indiquera le statut du haut-parleur. L'utilisation initiale nécessitera l'appariement du haut-parleur. Pour appairer le haut-parleur à un appareil Bluetooth<sup>MD</sup>, reportez-vous à la section **Appariement du haut-parleur à un appareil audio Bluetooth<sup>MD</sup>**.



**ÉTAT DU VOYANT DEL DU HAUT-PARLEUR**

Voyant DEL	État/Mode
Cignotement constant (à une demi-seconde d'intervalle)	Le haut-parleur n'est pas apparié ou est en mode de connexion.
Cignotement rapide	Le haut-parleur est en mode d'appariement et visible par votre appareil.
Voyant allumé fixe	Le haut-parleur est apparié à un appareil.
Voyant éteint	Fin du délai d'attente du haut-parleur et/ou le haut-parleur est éteint.

FIG. 7



**APPARIEMENT DU HAUT-PARLEUR À UN APPAREIL AUDIO BLUETOOTH<sup>MD</sup> (FIG. 6, 7)**

1. Placez le haut-parleur et la source audio Bluetooth<sup>MD</sup> à moins d'un mètre (3,3 pi) l'un de l'autre.

2. Mettez le haut-parleur en marche en appuyant sur l'interrupteur (A). Le voyant DEL (B) s'allumera fixement 4 secondes pour indiquer que l'appareil est alimenté puis il passera à un mode de cignotement toutes les demi-secondes.
3. Appuyez sur le bouton d'appariement Bluetooth<sup>MD</sup> (C). Le voyant DEL clignote rapidement indiquant que le haut-parleur est en mode d'appariement et est visible par votre appareil Bluetooth<sup>MD</sup>.
4. Confirmez l'appariement de votre appareil. (Veuillez consulter le manuel de l'utilisateur de votre appareil pour toute instruction d'appariement plus spécifique.

**REMARQUE :** si l'appariement n'est pas confirmé dans les 2 minutes, le voyant DEL s'arrêtera de clignoter et le haut-parleur recommencera à clignoter toutes les demi secondes.

5. Une fois l'appariement réussi, le voyant DEL (B) restera allumé fixement et le haut-parleur émettra un son bref. Le haut-parleur pourra alors jouer la musique de votre appareil.

**CONNEXION À UN APPAREIL AUDIO BLUETOOTH<sup>MD</sup> DÉJÀ APPARIÉ (FIG. 1, 7)**

Si un appareil Bluetooth<sup>MD</sup> a été déjà apparié au haut-parleur, il devrait se reconnecter automatiquement lorsque le haut-parleur sera allumé. Au bout de 4 secondes, le haut-parleur se mettra en mode de connexion. Le DEL (B) clignotera constamment pour indiquer ce statut. Une fois que l'appareil Bluetooth<sup>MD</sup> déjà apparié aura été reconnu et sera reconnecté, le DEL restera allumé fixement. Si la connexion ne réussit pas et que vous ne pouvez transmettre la musique en continu, veuillez suivre les instructions de la section **Appariement du haut-parleur à un appareil audio Bluetooth<sup>MD</sup>.**

**RÉGLAGE DU VOLUME DU HAUT-PARLEUR (FIG. 7)**

Le volume du haut-parleur peut être augmenté ou diminué en utilisant le bouton de volume (E) correspondant. Appuyer sur le bouton volume « VOL + » augmente le volume. Pour baisser le volume, appuyez sur le bouton « VOL - ».

Le bouton de pause (D) pourra rendre le haut-parleur silencieux, peu importe le volume en appuyant dessus une fois. Réappuyez sur le bouton de pause pour remettre le haut-parleur en marche. Le haut-parleur émettra un son lorsque le volume maximum ou minimum sera atteint.

**FONCTION DÉLAI D'ATTENTE (FIG. 1)**

Pour augmenter la durée de vie du bloc-piles, le haut-parleur a été conçu pour s'éteindre automatiquement après une heure d'inactivité. Cette inactivité peut être due à la perte de l'appariement de l'appareil pendant une heure, ou dans le cas d'une connexion Bluetooth<sup>MD</sup>, que celle-ci soit coupée pendant la même période. Si le haut-parleur s'éteint, peu importe la raison de l'inactivité, reportez-vous à la section Connexion à un appareil audio Bluetooth<sup>MD</sup> déjà apparié.

**REMARQUE :** la plage de lecture Bluetooth<sup>MD</sup> optimale est d'environ 9 m (30 pi) (distance à vue) du haut-parleur, mais peut aller jusqu'à 30 m (100 pi). Tout obstacle physique, autre que les appareils sans fil ou les appareils électromagnétiques pourra affecter la qualité de la connexion.

Si la connexion Bluetooth<sup>MD</sup> est perdue parce que la distance optimale aura été excédée, ou à cause de la présence d'obstacles ou autres, il sera peut-être nécessaire de reconnecter l'appareil au haut-parleur.

**CHARGEMENT USB D'UN TÉLÉPHONE PORTABLE OU D'UN APPAREIL AUDIO (FIG. 1)**

Votre appareil audio ou téléphone mobile peut être rechargé à l'aide du port USB d'alimentation (G) sur le haut-parleur. Ce chargement

est possible lorsque l'appareil est en marche, et alimenté en CA ou par bloc-piles.

**Remarques importantes quant au haut-parleur Bluetooth<sup>MD</sup>**

1. Alors que vous recevrez un appel sur votre téléphone mobile apparié avec votre haut-parleur Bluetooth<sup>MD</sup>, la musique s'arrêtera automatiquement. Une fois l'appel terminé, la musique reprendra.

**APPEL TÉLÉPHONIQUE AUDIO AU-TRAVERS DU HAUT-PARLEUR BLUETOOTH**

Selon votre appareil, il sera peut-être possible de prendre un appel audio au travers du haut-parleur Bluetooth<sup>MD</sup>. Cela dépendra de votre appareil et de la configuration de ses réglages. Veuillez vous reporter au manuel de l'utilisateur pour toute information quant à ses capacités et réglages

2. À cause des caractéristiques de la technologie Bluetooth<sup>MD</sup>, le son entendu au travers du haut-parleur Bluetooth<sup>MD</sup> est légèrement décalé par rapport au son joué sur votre appareil audio ou téléphone mobile alors que vous parlez au téléphone ou lors de la lecture de la musique.

**MAINTENANCE**

**⚠️ AVERTISSEMENT :** *pour réduire tout risque de dommages corporels graves, arrêter l'appareil et le débrancher ou retirer le bloc-piles avant tout réglage ou avant de retirer ou installer toute pièce ou tout accessoire.*

**Entretien**

**⚠️ AVERTISSEMENT :** *ne jamais utiliser de solvants ou tout autre produit chimique décapant pour nettoyer les parties non métalliques de l'appareil. Ces produits chimiques pourraient attaquer les matériaux plastiques utilisés. Utiliser un chiffon humide et un savon*

doux. Protéger l'appareil de tout liquide. N'immerger aucune partie de l'appareil dans un liquide.

### **Accessoires**

**⚠ AVERTISSEMENT :** puisque les accessoires autres que ceux offerts par DEWALT n'ont pas été testés avec ce produit, leur utilisation pourrait s'avérer dangereuse. Pour réduire le risque de blessures, utiliser exclusivement les accessoires DEWALT recommandés avec le présent produit.

Les accessoires recommandés pour cet outil sont vendus séparément au centre de service de votre région. Pour obtenir de l'aide concernant l'achat d'un accessoire, communiquer avec DEWALT Industrial Tool Co., 701 East Joppa Road, Towson, MD 21286 aux États-Unis; composer le 1 800 433-9258 (1 800 4-DEWALT) ou visiter notre site Web : [www.dewalt.com](http://www.dewalt.com).

### **Réparations**

Le chargeur et le bloc-piles ne sont pas réparables.

Pour assurer la SÉCURITÉ et la FIABILITÉ du produit, les réparations, l'entretien et les réglages doivent être réalisés (cela comprend l'inspection et le remplacement du balai) par un centre de réparation en usine DEWALT, un centre de réparation agréé DEWALT ou par d'autres techniciens qualifiés. Toujours utiliser des pièces de rechange identiques.

### **Registre en ligne**

Merci pour votre achat. Enregistrez dès maintenant votre produit:

- **RÉPARATIONS SOUS GARANTIE:** cette carte remplie vous permettra de vous prévaloir du service de réparations sous garantie de façon plus efficace dans le cas d'un problème avec le produit.

- **CONFIRMATION DE PROPRIÉTÉ:** en cas de perte provoquée par un incendie, une inondation ou un vol, cette preuve de propriété vous servira de preuve auprès de votre compagnie d'assurances.
- **SÉCURITÉ:** l'enregistrement de votre produit nous permettra de communiquer avec vous dans l'éventualité peu probable de l'envoi d'un avis de sécurité régi par la loi fédérale américaine de la protection des consommateurs.

Registre en ligne à [www.dewalt.com/register](http://www.dewalt.com/register).

### **Garantie limitée de trois ans**

DEWALT réparera, sans frais, tout produit défectueux causé par un défaut de matériel ou de fabrication pour une période de trois ans à compter de la date d'achat. La présente garantie ne couvre pas les pièces dont la défectuosité a été causée par une usure normale ou l'usage abusif de l'outil. Pour obtenir de plus amples renseignements sur les pièces ou les réparations couvertes par la présente garantie, visiter le site [www.dewalt.com](http://www.dewalt.com) ou composer le 1 800 433-9258 (1 800 4-DEWALT). Cette garantie ne s'applique pas aux accessoires et ne vise pas les dommages causés par des réparations effectuées par un tiers. Cette garantie confère des droits légaux particuliers à l'acheteur, mais celui-ci pourrait aussi bénéficier d'autres droits variant d'un état ou d'une province à l'autre.

En plus de la présente garantie, les outils DEWALT sont couverts par notre :

#### **CONTRAT D'ENTRETIEN GRATUIT D'UN AN**

DEWALT entretiendra l'outil et remplacera les pièces usées au cours d'une utilisation normale et ce, gratuitement, pendant une période d'un an à compter de la date d'achat.



**CONTRAT D'ENTRETIEN GRATUIT DE DEUX ANS  
SUR LES BLOC-PILES DEWALT**

DC9071, DC9091, DC9096, DC9280, DC9360, DC9180, DCB120,  
DCB201 et DCB203

**CONTRAT D'ENTRETIEN GRATUIT DE TROIS ANS  
SUR LES BLOC-PILES DEWALT**

DCB200, DCB204

**BLOCS-PILES DEWALT**

La garantie de se produit sera annulée si le bloc-piles a été altéré de quelque façon que ce soit. DEWALT ne peut être tenu responsable de tout dommage corporel causé par l'altération du produit et pourra poursuivre toute fraude en matière de garantie dans toute l'étendue permise par la loi.

**GARANTIE DE REMBOURSEMENT DE 90 JOURS**

Si l'acheteur n'est pas entièrement satisfait, pour quelque raison que ce soit, du rendement de l'outil électrique, du laser ou de la cloueuse DEWALT, celui-ci peut le retourner, accompagné d'un reçu, dans les 90 jours à compter de la date d'achat pour obtenir un remboursement intégral, sans aucun problème.

**AMÉRIQUE LATINE :** cette garantie ne s'applique aux produits vendus en Amérique latine. Pour ceux-ci, veuillez consulter les informations relatives à la garantie spécifique présente dans l'emballage, appeler l'entreprise locale ou consulter le site Web pour les informations relatives à cette garantie.

**REMPACEMENT GRATUIT DES ÉTIQUETTES D'AVERTISSEMENT :** si les étiquettes d'avertissement deviennent illisibles ou sont manquantes, composer le 1 800 433-9258 (1 800 4-DEWALT) pour en obtenir le remplacement gratuit.

Français



### **Definiciones: Normas de seguridad**

Las siguientes definiciones describen el nivel de gravedad de cada palabra de señal. Lea el manual y preste atención a estos símbolos.

**⚠ PELIGRO:** Indica una situación de peligro inminente que, si no se evita, provocará **la muerte o lesiones graves**.

**⚠ ADVERTENCIA:** Indica una situación de peligro potencial que, si no se evita, **podría provocar la muerte o lesiones graves**.

**⚠ ATENCIÓN:** Indica una situación de peligro potencial que, si no se evita, **posiblemente provocaría lesiones leves o moderadas**.

**AVISO:** Se refiere a una práctica **no relacionada a lesiones corporales** que de no evitarse **puede** resultar en **daños a la propiedad**.

SI TIENE ALGUNA DUDA O ALGÚN COMENTARIO SOBRE ÉSTA U OTRA HERRAMIENTA DEWALT, LLÁMENOS AL NÚMERO GRATUITO: **1-800-4-DEWALT (1-800-433-9258)**.



**ADVERTENCIA:** Para reducir el riesgo de lesiones, lea el manual de instrucciones.

### **Advertencias de seguridad generales**



**¡ADVERTENCIA!** Lea todas las advertencias de seguridad e instrucciones. El incumplimiento de las advertencias e instrucciones puede provocar descargas eléctricas, incendios o lesiones graves.

## **CONSERVE TODAS LAS ADVERTENCIAS E INSTRUCCIONES PARA FUTURAS CONSULTAS**

### **Instrucciones importantes sobre seguridad**

1. Lea estas instrucciones.
2. Conserve estas instrucciones.
3. Obedezca todas las advertencias.
4. Siga todas las instrucciones.
5. No utilice este aparato cerca del agua.
6. Limpie únicamente con un trapo seco.
7. No obstruya las aberturas de ventilación. Instale de conformidad con las instrucciones del fabricante.
8. No instale cerca de fuentes de calor como radiadores, rejillas de calefacción, estufas ni otros aparatos (incluyendo amplificadores) que produzcan calor.
9. No anule el propósito de seguridad de la clavija para conexión a tierra o polarizada. Una clavija polarizada tiene dos patas, una más ancha que la otra. Una clavija para conexión a tierra tiene dos patas, más una tercera para la conexión a tierra. La pata ancha o la tercera pata se proporcionan para su seguridad. Si la clavija de la unidad no se acopla a la toma de corriente, consulte a un electricista para que reemplace la toma de corriente obsoleta.
10. Evite que caminen sobre el cable y protéjalo contra aplastamientos, particularmente en la clavija, las toma de corriente y el punto en el que sale del aparato.
11. Utilice únicamente los aditamentos y accesorios especificados por el fabricante.

12. Desconecte este aparato durante tormentas eléctricas o cuando no vaya a usarlo por períodos prolongados.
13. Deje todo el mantenimiento en manos de personal calificado. Se requiere servicio cuando el aparato se haya dañado de cualquier modo, como por ejemplo si el cable o la clavija se dañan, si se ha derramado líquido o han caído objetos dentro del aparato, o si el aparato se ha expuesto a lluvia o humedad, no opera normalmente o se haya caído.
14. El aparato no quedará expuesto a goteos ni a salpicaduras, y no se colocarán sobre el aparato objetos llenos de líquido, tales como jarrones.



El relámpago con punta de flecha dentro de un triángulo pretende señalar al usuario que en el interior del producto hay piezas que constituyen un riesgo de choque eléctrico para las personas.



El signo de exclamación dentro de un triángulo pretende señalar al usuario que hay instrucciones importantes sobre la operación y el servicio en los documentos que vienen con la unidad.

### **Normas de seguridad adicionales para el altavoz Bluetooth®**

- **NO** salpicar ni sumergir en agua u otros líquidos.
- Tenga en cuenta que los cambios o modificaciones no aprobados expresamente por la parte responsable del cumplimiento podrían anular la autorización del usuario para operar el equipo.  
**NOTA:** La marca denominativa y los logotipos de Bluetooth® son marcas registradas propiedad de Bluetooth®, SIG, Inc. y todo uso de dichas marcas por DEWALT se hace bajo licencia. Otras marcas y nombres comerciales son de sus respectivos propietarios.
- Este aparato digital de la Clase B cumple con la norma canadiense ICES-003.

- Este dispositivo cumple con la sección 15 de las normas de la FCC. Su operación está sujeta a las siguientes dos condiciones:

- 1) Este dispositivo no puede causar interferencia dañina y
- 2) Este dispositivo debe aceptar cualquier interferencia que reciba, incluyendo aquella interferencia que podría producir una operación no deseada.

**NOTA:** Este equipo ha sido probado y se ha encontrado que cumple con los límites establecidos para dispositivos digitales Clase B, en conformidad con la Parte 15 del Reglamento de la FCC. Estos límites están diseñados para ofrecer un nivel razonable de protección contra la interferencia dañina en instalaciones residenciales. Este equipo genera, utiliza y puede emitir energía de radiofrecuencia y, si no se instala y utiliza de acuerdo a las instrucciones proporcionadas, puede producir una interferencia dañina a la comunicación radial. Sin embargo, no existen garantías de que no ocurra interferencia alguna en una instalación en particular. Si este equipo produce interferencia dañina a su recepción radial y de televisión, lo que puede ser determinado al apagar y volver a encender el equipo, se pide al usuario que corrija la interferencia implementando una o más de las siguientes medidas:

- Cambie la orientación o el lugar donde está ubicada la antena receptora.
- Aumente el espacio que separa al equipo del receptor.
- Conecte el equipo a una toma de corriente que esté en un circuito diferente al circuito al que está conectado el receptor.
- Consulte con el concesionario o con un técnico de radio y televisión con experiencia que pueda ayudarle.



- La etiqueta de su herramienta puede incluir los siguientes símbolos. La etiqueta de la placa de características está ubicada en la parte de abajo de la unidad. A continuación se indican los símbolos y sus definiciones:

V.....	voltios	A.....	amperios
Hz.....	hertz	W.....	vatios
min .....	minutos	~ o AC .....	corriente alterna
== o DC....	corriente directa	≈ o AC/DC...	corriente alterna o directa
⚠.....	Construcción de Clase I (tierra)	n.....	velocidad nominal
□.....	Construcción de Clase II (doble aislamiento)	n <sub>o</sub> .....	velocidad sin carga
.../min .....	por minuto	⊕.....	terminal de conexión a tierra
IPM.....	impactos por minuto	⚠.....	símbolo de advertencia de seguridad
sfpm.....	pies de superficie por minuto		
RPM.....	revoluciones por minuto		
BPM.....	golpes por minuto		
SPM.....	pasadas por minuto		

### Instrucciones de seguridad importantes para todas las unidades de batería

Cuando solicite unidades de batería de repuesto, no olvide indicar el número de catálogo y el voltaje. Consulte la tabla al final de este

manual para ver la compatibilidad entre cargadores y unidades de batería.

La unidad de batería no viene completamente cargada de fábrica. Antes de usar la unidad de batería y el cargador, lea las siguientes instrucciones de seguridad. Luego, siga los procedimientos de carga indicados.

### LEA TODAS LAS INSTRUCCIONES

- **No cargue o use la unidad de batería en atmósferas explosivas, como en presencia de líquidos, gases o polvos inflamables.** Puede que al insertar o sacar la unidad de batería del cargador se inflamen el polvo o los gases.
- **NUNCA fuerce la unidad de batería para que entre en el cargador. NO modifique la unidad de batería en ninguna forma para que entre en un cargador no compatible, pues puede producir una ruptura en la unidad de batería y causar lesiones corporales graves.** Consulte la tabla al final de este manual para ver la compatibilidad entre baterías y cargadores.
- Cargue las unidades de batería sólo en los cargadores designados por DEWALT.
- **NO salpique con ni sumerja en agua u otros líquidos.**
- **No guarde ni use la herramienta y unidad de batería en lugares donde la temperatura pueda alcanzar o superar los 40 °C (105 °F), tales como cobertizos o construcciones de metal durante el verano.** Almacene las unidades de batería en lugares frescos y secos para maximizar su vida útil.

**⚠ADVERTENCIA:** Peligro de incendio. Nunca intente abrir la unidad de batería por ningún motivo. Si la caja exterior de la unidad de batería se triza o daña, no la introduzca en el cargador. No triture, deje caer o dañe la unidad de batería. No use una unidad de batería o un cargador que haya sido golpeado, dejado caer, atropellado o dañado en cualquier forma (por ejemplo, perforado por un clavo, golpeado

con un martillo, pisado). Lleve sus unidades de batería dañadas al centro de servicio para que sean recicladas.

**⚠️ADVERTENCIA: Peligro de incendio. No guarde ni transporte la unidad de batería de manera que objetos metálicos puedan hacer contacto con los terminales expuestos de la batería.** Por ejemplo, no ponga la unidad de batería en delantales, bolsillos, cajas de herramientas, estuches de productos, cajones, etc., junto con clavos, tornillos, llaves, etc., sueltos. **El transporte de baterías puede causar incendios si sus terminales inadvertidamente entran en contacto con materiales conductores como llaves, monedas, herramientas de mano y otros por el estilo.** El Reglamento sobre Materiales Peligrosos (HMR) del Ministerio de Transporte de los Estados Unidos actualmente prohíbe el transporte de baterías en el comercio o en aviones (por ejemplo, embaladas en maletas y maletines de mano) A NO SER que estén debidamente protegidas para prevenir cortocircuitos. Por lo tanto, cuando transporte unidades de batería individuales, asegúrese de que sus terminales estén protegidos y debidamente aislados de materiales que pudieran entrar en contacto con ellos y causar un cortocircuito.

#### **INSTRUCCIONES DE SEGURIDAD ESPECÍFICAS PARA BATERÍAS DE IONES DE LITIO (Li-Ion)**

- **No incinere la unidad de batería, aunque esté completamente dañada o descargada. La unidad de batería puede explotar si se quema.** Cuando se queman unidades de batería de iones de litio, se producen gases y materiales tóxicos.
- **Si el contenido de la batería entra en contacto con la piel, lave el área de inmediato con agua y un jabón suave.** Si el líquido de la batería entra en contacto con sus ojos, enjuáguelos con agua y los ojos abiertos por 15 minutos o hasta que cese la irritación. Si se requiere de asistencia médica, el electrolito de la batería está compuesto por una mezcla de carbonatos orgánicos líquidos y sales de litio.

- **El contenido de los elementos abiertos de la batería puede causar irritación en el tracto respiratorio.** Salga al aire fresco. Si los síntomas persisten, busque asistencia médica.

**⚠️ADVERTENCIA: Peligro de quemaduras.** El líquido de la batería puede ser inflamable si se expone a chispas o llamas.

#### **El sello RBRC™**

El sello RBRC™ (Rechargeable Battery Recycling Corporation) en las baterías (unidades de batería) de níquel cadmio, níquel e hidruro metálico o de iones de litio indica que el costo de reciclaje de estas baterías (o unidades de batería) al llegar al final de su vida de servicio ya ha sido pagado por DEWALT. En algunas áreas, es ilegal depositar baterías de níquel cadmio, níquel e hidruro metálico o de iones de litio gastadas en la basura o la corriente de residuos sólidos urbanos; el programa RBRC proporciona una alternativa ecológica.

RBRC™, en cooperación con DEWALT y otros usuarios de baterías, han establecido programas en los Estados Unidos y Canadá para facilitar la recolección de baterías de níquel cadmio, níquel e hidruro metálico o de iones de litio gastadas. Al llevar sus baterías de níquel cadmio, níquel e hidruro metálico y de iones de litio gastadas a un centro de servicio autorizado por DEWALT o al minorista local para que sean recicladas, ayuda a proteger el medio ambiente y a conservar recursos naturales. También puede comunicarse con el centro de reciclaje de su localidad para mayor información sobre dónde llevar sus baterías gastadas.

RBRC™ es una marca comercial registrada de *Rechargeable Battery Recycling Corporation*.



## **Instrucciones importantes de seguridad para todos los cargadores de baterías**

**GUARDE ESTAS INSTRUCCIONES:** Este manual contiene instrucciones de seguridad y operación importantes para los cargadores de baterías.

- Antes de usar el cargador, lea todas las instrucciones y advertencias que se encuentren en el cargador, la unidad de batería y el producto que usa la unidad de batería.

**⚠ADVERTENCIA:** Peligro de descarga eléctrica. No permita que ningún líquido se introduzca en el cargador. Puede producir descargas eléctricas.

**⚠ATENCIÓN:** Peligro de quemaduras. Para reducir el riesgo de lesiones, sólo cargue unidades de batería recargables marca DEWALT. Otros tipos de batería podrían sobrecalentarse y reventar lo que podría resultar en lesiones corporales y daños a su propiedad.

**AVISO:** Bajo ciertas condiciones, cuando el cargador está enchufado a una toma de corriente, el cargador puede hacer cortocircuito si entra en contacto con algún material ajeno. Los materiales ajenos de naturaleza conductora, como el polvo de esmerilado, las placas de metal, la lana de acero, el papel de aluminio y otros, o cualquier acumulación de partículas metálicas deberían mantenerse alejados de las cavidades del cargador. Desenchufe siempre el cargador cuando no haya una unidad de batería en su cavidad. Desenchufe el cargador antes de intentar limpiarlo.

**⚠ADVERTENCIA:**

- **NO intente cargar la unidad de batería con otros cargadores que no sean los descritos en este manual.** El cargador y la

unidad de batería fueron específicamente diseñados para trabajar en conjunto.

- **Estos cargadores no fueron diseñados para ser utilizados para más que cargar las baterías recargables DEWALT.** Cualquier otro uso puede producir riesgo de incendios, descargas eléctricas o electrocución.
- **No exponga el cargador a la lluvia o a la nieve.**
- **Tire del enchufe y no del cable cuando desconecte el cargador.** De esta forma se reduce el riesgo de daño al enchufe y cable.
- **Asegúrese de que el cable no sea ubicado de manera que podría ser pisado, causar que alguien tropiece con él o ser expuesto a otro tipo de daños y desgastes.**
- **No use un alargador a menos que sea absolutamente necesario.** El uso de un alargador incorrecto podría producir riesgo de incendios, descargas eléctricas o electrocución.
- **Cuando opere un cargador al exterior, hágalo siempre en un lugar seco y use un alargador apropiado para uso al exterior.** El uso de un alargador apropiado para uso al exterior reduce el riesgo de descarga eléctrica.
- **Los hilos del alargador deben ser de un calibre apropiado (AWG o American Wire Gauge) para su seguridad.** Mientras menor sea el calibre del hilo, mayor la capacidad del cable. Es decir, un hilo calibre 16 tiene mayor capacidad que uno de 18. Un cable de un calibre insuficiente causará una caída en la tensión de la línea dando por resultado una pérdida de energía y sobrecalentamiento. Cuando se utilice más de un alargador



para completar el largo total, asegúrese que los hilos de cada alargador tengan el calibre mínimo. La tabla siguiente muestra el tamaño correcto a utilizar, dependiendo de la longitud del cable y del amperaje nominal de la placa de identificación. Si tiene dudas sobre cuál calibre usar, use un calibre mayor. Cuanto menor sea el número del calibre, más resistente será el cable.

Calibre mínimo para cables de alimentación						
Amperaje		Voltios	Largo total del cordón en metros (pies)			
		120 V	7,6 (25)	15,2 (50)	30,5 (100)	45,7 (150)
		240 V	15,2 (50)	30,5 (100)	61,0 (200)	91,4 (300)
Más de	No más de	AWG				
0	6		18	16	16	14
6	10		18	16	14	12
10	12		16	16	14	12
12	16		14	12	No recomendado	

- **No coloque ningún objeto encima del cargador ni coloque a este sobre una superficie blanda que pudiera bloquear las ranuras de ventilación y resultar en un calor interno excesivo.** Coloque el cargador en un lugar alejado de cualquier fuente de calor. El cargador se ventila a través de las ranuras que se encuentran en la parte superior e inferior de la caja protectora.
- **No opere el cargador si su cable o enchufe están dañados.**
- **No opere el cargador si ha recibido un golpe agudo, si se ha caído o si ha sido dañado de alguna otra forma.** Llévelo a un centro de servicio autorizado.

- **No desarme el cargador; llévelo a un centro de servicio autorizado cuando deba ser reparado.** Si es reensamblado incorrectamente, puede causar descargas eléctricas, electrocución o incendios.
- **Desenchufe el cargador antes de intentar limpiarlo. Esto reducirá el riesgo de descargas eléctricas.** El retirar el paquete de baterías no reducirá este riesgo.
- **NUNCA intente conectar 2 cargadores entre sí.**
- **El cargador está diseñado para operar con una corriente eléctrica estándar residencial de 120 V. No intente usarlo con ningún otro voltaje.** Esto no aplica al cargador vehicular.

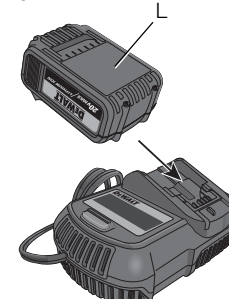
## Cargadores

Su altavoz utiliza un cargador DEWALT. Asegúrese de leer todas las instrucciones de seguridad antes de utilizar su cargador. Consulte el gráfico al final del manual para conocer la compatibilidad entre los cargadores y los paquetes de baterías.

### Procedimiento de carga (Fig. 1)

1. Enchufe el cargador en una toma de corriente apropiada antes de insertar la unidad de batería.
2. Inserte la unidad de batería (L) en el cargador, como se muestra en la Figura 1, comprobando que quede bien colocado dentro del mismo. La luz roja (de carga) parpadeará continuamente para indicar que se ha iniciado el proceso de carga.

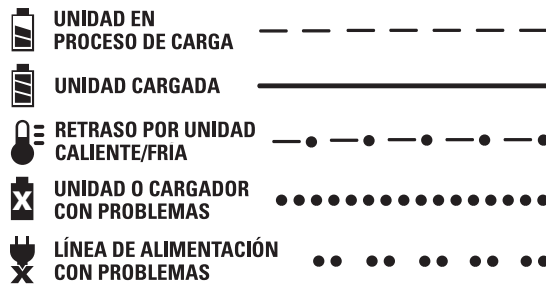
FIG. 1



3. La luz roja se quedará ENCENDIDA continuamente cuando se haya completado el proceso de carga. La unidad estará entonces completamente cargada y podrá ser utilizado de inmediato o dejarse en el cargador.

### Operación de la luz indicadora

#### DCB101



#### DCB107, DCB112



### Indicadores de carga

Este cargador ha sido diseñado para detectar ciertos problemas que pudieran surgir. Estos problemas se indican mediante una luz roja intermitente rápida. Si esto ocurre, vuelva a colocar la unidad de batería en el cargador. Si el problema persiste, pruebe con otra unidad de batería para determinar si el cargador está funcionando debidamente. Si la segunda unidad de batería carga correctamente, significa que la primera está fallada y debería ser llevada a un centro de servicio u otro lugar de colección para su reciclaje. Si la segunda unidad de batería hace que el cargador indique el mismo problema que la primera, lleve el cargador y la unidad de batería a un centro de servicio autorizado para su examinación.

#### RETARDO POR UNIDAD CALIENTE/FRÍA

##### DCB101

Este cargador tiene una función de retardo por unidad caliente/fría: cuando el cargador detecta una batería caliente, inmediatamente empieza un retardo por unidad caliente y suspende la carga hasta que la batería se haya enfriado. Una vez enfriada la batería, el cargador pasará automáticamente a la modalidad de carga de la unidad. Esta función asegura la máxima duración de su batería. La luz roja parpadeará a intervalos largos, luego cortos cuando esté en modalidad de retardo por unidad caliente/fría.

##### DCB107, DCB112

Los cargadores DCB107 y DCB112 tienen una función de retardo por batería caliente/fría. Cuando el cargador detecta una batería caliente, automáticamente retrasa la carga hasta que la batería se haya enfriado. Cuando el cargador detecta una batería fría, automáticamente retrasa la carga hasta que la batería se haya calentado.

**Español**

La luz roja continuará parpadeando, pero la luz indicadora amarilla estará iluminada durante esta operación. La luz amarilla se apagará cuando el cargador reanuda proceso de carga normal.

#### **PERMANENCIA DE LA UNIDAD DE BATERÍA EN EL CARGADOR**

El cargador y la unidad de batería pueden dejarse conectados con la luz del cargador indicando que la unidad está cargada.

**UNIDADES DE BATERÍA DESGASTADAS:** Las baterías desgastadas seguirán funcionando pero no debe esperarse que tengan capacidad para la misma cantidad de trabajo.

**UNIDADES DE BATERÍA DEFECTUOSAS:** Este cargador no cargará una unidad de batería defectuosa. El cargador indicará que la unidad de batería es defectuosa al no iluminarse o al indicar que existe un problema con la unidad o el cargador.

**NOTA:** Esto también puede significar que hay un problema con el cargador.

#### **LÍNEA DE ALIMENTACIÓN CON PROBLEMAS (DCB101)**

Algunos cargadores tienen un indicador de Línea de alimentación con problemas. Cuando el cargador se utiliza con algunas fuentes de alimentación portátiles, como generadores o fuentes que convierten CC a CA, el cargador puede suspender temporalmente el funcionamiento, ocasión en la que la luz roja se encenderá y apagará rápidamente dos veces, seguido de una pausa. Esto indica que la fuente de alimentación está fuera de los límites.

#### **Montaje en la pared**

##### **DCB107, DCB112**

Estos cargadores están diseñados para montarse en la pared o colocarse en posición vertical sobre una mesa o superficie de trabajo.

Si se monta en la pared, ubicar el cargador al alcance de una toma de corriente. Montar el cargador firmemente utilizando tornillos para muro seco de un mínimo de 25,4 mm (1") de largo, atornillados en madera hasta una profundidad óptima dejando el tornillo expuesto aproximadamente 5,5 mm (7/32").

#### **Notas importantes sobre la carga**

1. Se puede obtener una mayor duración y un mejor rendimiento si la unidad de batería se carga a una temperatura ambiente de 18–24 °C (65–75 °F). NO cargue la unidad de batería a una temperatura ambiental inferior a +4,5 °C (+40 °F) o superior a +40,5 °C (+105 °F). Esto es importante y evitará causar daños graves a la batería.
2. Puede que el cargador y la unidad de batería se calienten ligeramente durante el proceso de carga. Esto es normal y no representa ningún problema. Para facilitar el enfriamiento de la unidad de batería después del uso, evite colocar el cargador o la unidad de batería en un lugar cálido, como un cobertizo metálico o un remolque sin aislamiento térmico.
3. Una unidad de batería fría se demora el doble del tiempo en cargarse que una unidad de batería caliente. La unidad de batería se cargará a ese ritmo más lento durante todo el ciclo de carga y no volverá a cargarse a la velocidad de carga máxima aún cuando la unidad de batería se caliente.
4. Si la unidad de batería no se carga correctamente:
  - a. Verifique el funcionamiento de la toma enchufando una lámpara u otro aparato;
  - b. Revise que la toma de corriente no esté conectada a un interruptor de luz que corte la corriente cuando se corte la luz;
  - c. Mueva el cargador y la unidad de batería a un lugar donde la temperatura ambiental sea aproximadamente 18–24 °C (65–75 °F);



- d. Si el problema de carga continúa, lleve el aparato, unidad de batería y el cargador a su centro de servicio local.
5. La unidad de batería debería ser recargada cuando no sea capaz de producir suficiente potencia para trabajos que eran fácilmente realizados antes. NO CONTINÚE usándola bajo estas circunstancias. Siga el procedimiento de carga. También puede cargar una unidad de batería que haya sido usada parcialmente cuando lo desee, sin dañarla.
  6. Los materiales ajenos conductores por naturaleza, tales como, pero sin limitarse a, el polvo del esmerilado, las virutas metálicas, la lana de acero, el papel de aluminio o cualquier acumulación de partículas metálicas deberían mantenerse alejados de las cavidades del cargador. Desenchufe siempre el cargador de la toma de corriente cuando no haya una unidad de batería en su cavidad. Desenchufe el cargador antes de intentar limpiarlo.
  7. No congele ni sumerja el cargador en agua o cualquier otro líquido.

**⚠ADVERTENCIA:** Peligro de descarga eléctrica. No permita que ningún líquido se introduzca en el cargador. Puede producir descargas eléctricas.

**⚠ADVERTENCIA:** Peligro de quemaduras. No sumerja la unidad de batería en líquido de ningún tipo ni permita que se introduzca ningún tipo de líquido a la unidad de batería. Nunca intente abrir la unidad de batería por ningún motivo. Si la caja plástica de la unidad de batería se triza o rompe, llévela a un centro de servicio para su reciclaje

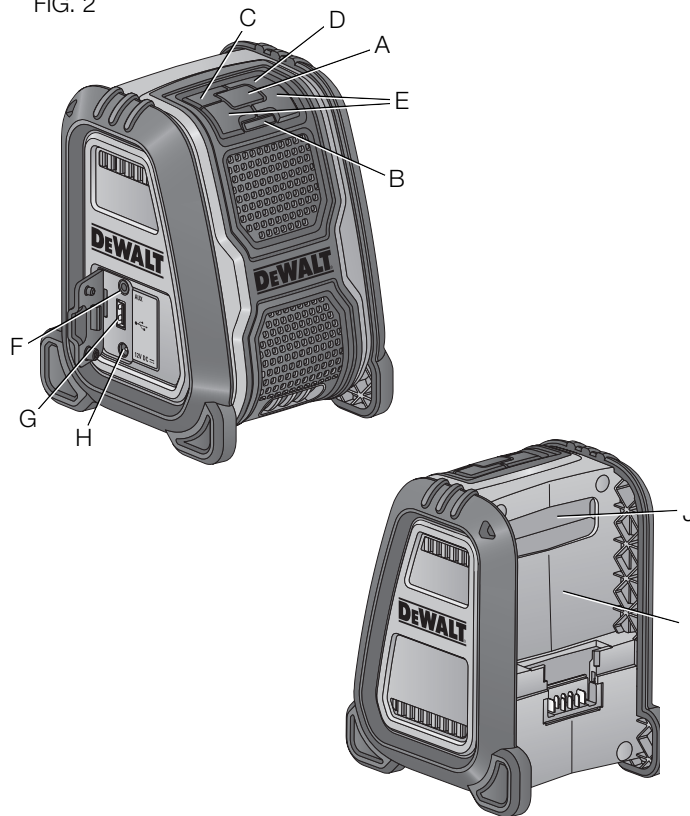
### **Recomendaciones de almacenamiento**

1. El mejor lugar de almacenamiento es uno que sea fresco y seco, lejos de la luz solar directa y del exceso de calor o frío.
2. Para resultados óptimos durante tiempos prolongados de almacenamiento, se recomienda almacenar la unidad de batería completamente cargada en un lugar fresco y seco fuera del cargador.

**NOTA:** Las unidades de batería no deberían almacenarse completamente descargadas. La unidad de batería deberá recargarse antes de ser usada.

**GUARDE ESTAS INSTRUCCIONES  
PARA VOLVER A CONSULTAR EN EL  
FUTURO**

FIG. 2



## COMPONENTES (Fig. 2)

**⚠ADVERTENCIA:** Jamás altere el aparato ni ninguna de sus piezas. Podrían producirse lesiones corporales o daños.

- |  |                               |
|--|-------------------------------|
| A. Botón de encendido                  | F. Puerto de audio AUX        |
| B. Luz indicadora LED                  | G. Puerto de alimentación USB |
| C. Botón de apareamiento de Bluetooth® | H. Terminal de entrada de CA  |
| D. Botón de pausa                      | I. Puerto de batería          |
| E. Botones de volumen +/-              | J. Asa de transporte          |

## USO DEBIDO

Este altavoz Bluetooth® de DEWALT está diseñado para reproducir/transmitir audio a través de una conexión Bluetooth® inalámbrica o una conexión con cable a un teléfono móvil u otro dispositivo de audio.

**NO** debe usarse en condiciones húmedas ni en presencia de líquidos o gases inflamables.

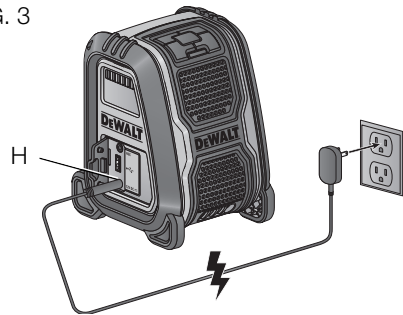
**NO** permita que los niños toquen el aparato. Si el operador no tiene experiencia utilizando este aparato, deberá ser supervisado.

## FUNCIONAMIENTO

**⚠ADVERTENCIA:** Para disminuir el riesgo de lesiones corporales graves, apague el aparato y desconecte o extraiga la batería antes de realizar cualquier ajuste o de quitar o instalar accesorios.

El altavoz puede funcionar con potencia de corriente continua (una batería) o con un enchufe adaptador de corriente alterna. Para encender el altavoz utilizando el adaptador de CA, enchufe el adaptador a una toma de corriente apropiada y conéctelo al altavoz mediante el terminal de entrada de CA (H, Fig. 3). La batería no se cargará cuando el adaptador de CA esté enchufado.

FIG. 3



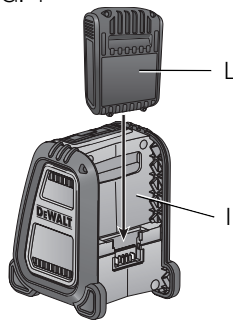
### **Instalación y extracción de la batería (Fig. 4)**

**NOTA:** Para obtener los mejores resultados, compruebe que la batería esté totalmente cargada.

Para instalar la batería (L) en el puerto de batería (I), alinee la batería con los rieles a los lados del puerto y deslicela hasta que esté bien insertada. Asegúrese de que no se libere.

Para sacar la batería del aparato, presione el botón de liberación y saque la batería del puerto tirando de ella firmemente hacia afuera. Introdúzcala en el cargador tal como se describe en la sección del cargador de este manual.

FIG. 4



### **BATERÍAS CON INDICADOR DE CARGA (FIG. 5)**

Algunas baterías DEWALT incluyen un indicador de carga que consta de tres luces LED verdes que indican el nivel de carga restante de la batería.

Para activar el indicador de carga, presione y mantenga presionado el botón del indicador de carga (K). Una combinación de las tres luces LED verdes se iluminará para designar el nivel de carga restante. Cuando el nivel de carga en la batería esté por debajo del límite utilizable, el indicador de carga no se iluminará y la batería tendrá que recargarse.

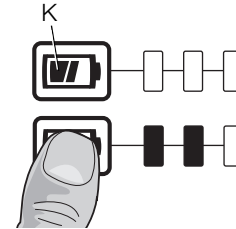
**NOTA:** El indicador de carga es solamente una indicación de la carga que queda en la batería. No indica la funcionalidad del aparato y está sujeto a variación dependiendo de los componentes del producto, la temperatura y la aplicación del usuario final.

Para obtener más información acerca de las baterías con indicador de carga, llame al 1-800-4-DEWALT (1-800-433-9258) o visite nuestro sitio web [www.dewalt.com](http://www.dewalt.com).

### **Funcionalidad (Fig. 6, 7)**

El audio puede reproducirse mediante el altavoz a través de una conexión Bluetooth® inalámbrica con un dispositivo Bluetooth® compatible o conectando el dispositivo de audio o el teléfono móvil al puerto de audio (F) utilizando un cable de audio de 3,5 mm (1/8").

FIG. 5





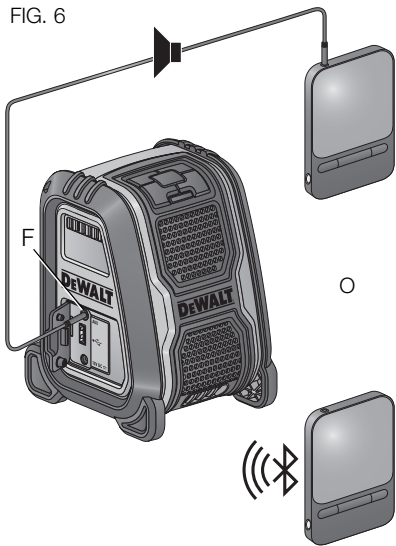


FIG. 6

**ENCENDIDO Y APAGADO DEL ALTAVOZ (FIG. 7)**

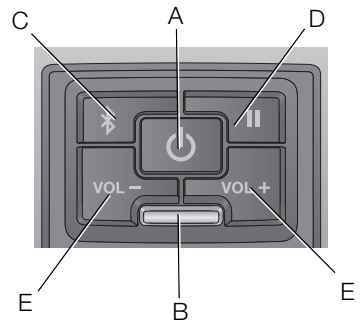
Al presionar el botón de encendido (A) el altavoz se encenderá o se apagará. Cuando esté encendido, el indicador LED (B) indicará el estado del altavoz.

Cuando se utilice por primera vez, será necesario realizar el apareamiento del altavoz. Para aparear el altavoz con un dispositivo Bluetooth® consulte la sección **Apareamiento del altavoz con un dispositivo de audio Bluetooth®**.

**INDICADOR DE ESTADO DEL ALTAVOZ LED**

Indicador LED	Estado/modo
Parpadeo continuo (intervalo de medio segundo)	El altavoz no está apareado o en modo de conexión.
Parpadeo rápido	El altavoz está en modo de apareamiento y es reconocible por su dispositivo.
Luz continua	El altavoz está conectado a un dispositivo.
Sin luz	El tiempo de espera se ha agotado y/o el altavoz está apagado.

FIG. 7



### **APAREAMIENTO DEL ALTAVOZ CON UN DISPOSITIVO DE AUDIO BLUETOOTH® (FIG. 6, 7)**

1. Coloque el altavoz y la fuente de audio Bluetooth® a un metro (3,3') de distancia entre sí.
2. Encienda el altavoz presionando el botón de encendido (A). La luz LED (B) estará continua durante 4 segundos para indicar que el aparato se ha encendido con éxito y luego iniciará un patrón de parpadeo con un intervalo de medio segundo.
3. Presione el botón de apareamiento de Bluetooth® (C). La luz indicadora LED parpadea rápidamente para indicar que el altavoz está en modo de apareamiento y es reconocible por su dispositivo Bluetooth®.
4. Confirmar el apareamiento en su dispositivo. (Por favor consulte el manual de instrucciones de su dispositivo para obtener instrucciones de apareamiento específicas).  
**NOTA:** Si no se confirma el apareamiento en 2 minutos, el LED dejará de estar intermitente y el altavoz se volverá al intervalo de parpadeo de medio segundo.
5. Una vez que el apareamiento se haya realizado con éxito, el indicador LED (B) se mostrará con luz continua y el altavoz emitirá un corto tono. El altavoz reproducirá ahora música de su dispositivo.

### **CONEXIÓN CON UN DISPOSITIVO DE AUDIO BLUETOOTH® PREVIAMENTE APAREADO (FIG. 1, 7)**

Si un dispositivo Bluetooth® ha sido previamente apareado con un altavoz, debería volver a conectarse automáticamente cuando se encienda el altavoz. Después de 4 segundos el altavoz pasará a modo de conexión. Esto se indica por el LED (B) con luz intermitente constante. Una vez que se reconoce y se conecta el dispositivo Bluetooth® previamente apareado, el LED mostrará una luz constante.

Si la conexión no ocurre y usted no puede transmitir música, siga las instrucciones que se indican para **Apareamiento del altavoz con un dispositivo de audio Bluetooth®**.

### **AJUSTE DEL VOLUMEN DEL ALTAVOZ (FIG. 7)**

El volumen del altavoz puede bajarse o subirse utilizando los botones de volumen correspondientes (E). Al presionar el botón "VOL +" se sube el volumen. Al presionar el botón "VOL -" se baja el volumen. El botón de pausa (D) puede silenciar el altavoz a cualquier volumen al presionarlo una vez. Al presionar el botón de pausa otra vez se desactivará la pausa del altavoz. El altavoz emitirá un tono cuando se haya alcanzado el volumen máximo o mínimo.

### **FUNCIONALIDAD DE TIEMPO DE ESPERA (FIG. 1)**

Para conservar la duración de la batería el altavoz está diseñado para apagarse automáticamente después de una hora de inactividad. Esta inactividad puede deberse a que el dispositivo no esté apareado durante una hora o en el caso de que la conexión Bluetooth® se haya interrumpido durante el mismo período de tiempo. Si el altavoz se apaga debido a una inactividad de cualquier tipo, consulte la sección **Conexión con un dispositivo de audio Bluetooth® previamente apareado**.

**NOTA:** El rango de transmisión óptimo de Bluetooth® al altavoz es aproximadamente 9 m (30') (línea de visión) pero son posibles distancias de hasta 30,5 m (100'). Los obstáculos físicos y otros dispositivos inalámbricos o electromagnéticos pueden afectar la calidad de la conexión.

Si se pierde la conexión Bluetooth® debido a un exceso del tiempo de separación, un exceso de la distancia óptima, a obstáculos o a otros motivos, puede ser necesario volver a conectar su dispositivo con el altavoz.

## **CARGA DE UN TELÉFONO CELULAR O DISPOSITIVO DE AUDIO A TRAVÉS DE USB (FIG. 1)**

Su dispositivo de audio o teléfono móvil pueden cargarse utilizando un terminal de alimentación USB (G) en el altavoz. Esta carga es posible cuando la unidad está encendida, funcionando con potencia de un enchufe de CA o con una batería.

## **Notas importantes sobre el altavoz Bluetooth®**

1. Cuando reciba una llamada en un teléfono móvil que se transmita al altavoz Bluetooth®, la música se parará automáticamente. Una vez que se termine la llamada, la música volverá a reproducirse.

### **AUDIO DE LLAMADA TELEFÓNICA A TRAVÉS DEL ALTAVOZ BLUETOOTH**

Dependiendo de su dispositivo, es posible que el audio de una llamada telefónica se reproduzca a través del altavoz Bluetooth®. Esto depende del dispositivo y de la configuración de los dispositivos. Consulte el manual del propietario de los dispositivos para obtener información sobre capacidad y configuración.

2. Debido a las características de la tecnología Bluetooth®, el sonido que se escucha a través del altavoz Bluetooth® tiene un ligero retraso con respecto al sonido que se reproduce en su dispositivo de audio o teléfono móvil mientras habla por teléfono o se transmite música.

## **MANTENIMIENTO**

**⚠ADVERTENCIA:** *Para disminuir el riesgo de lesiones corporales graves, apague el aparato y desconecte o extraiga la batería antes de realizar cualquier ajuste o de quitar o instalar accesorios.*

## **Limpieza**

**⚠ADVERTENCIA:** *No use nunca disolventes ni otros productos químicos fuertes para limpiar las piezas no metálicas del aparato. Estos productos químicos pueden debilitar los materiales de plástico utilizados en estas piezas. Use un paño humedecido únicamente con agua y jabón suave. No deje que entre nunca líquido dentro del aparato y no sumerja nunca ninguna parte del aparato en un líquido.*

## **Accesorios**

**⚠ADVERTENCIA:** *Debido a que no se han probado con este producto otros accesorios que no sean los que ofrece DEWALT., el uso de dichos accesorios con esta herramienta podría ser peligroso. Para reducir el riesgo de lesiones, con este producto deben usarse sólo los accesorios recomendados por DEWALT.*

Los accesorios que se recomiendan para utilizar con la herramienta están disponibles a un costo adicional en su distribuidor local o en un centro de mantenimiento autorizado. Si necesita ayuda para localizar algún accesorio, póngase en contacto con DEWALT Industrial Tool Co., 701 East Joppa Road, Towson, MD 21286, llame al 1-800-4-DEWALT (1-800-433-9258) o visite nuestro sitio web: [www.dewalt.com](http://www.dewalt.com).

## **Reparaciones**

El cargador y las unidades de batería no pueden ser reparados. Para asegurar la SEGURIDAD y la CONFIABILIDAD del producto, las reparaciones, el mantenimiento y los ajustes deben (inclusive inspección y cambio de carbones) ser realizados en un centro de mantenimiento en la fábrica DEWALT, en un centro de mantenimiento autorizado DEWALT u por otro personal de mantenimiento calificado. Utilice siempre piezas de repuesto idénticas.



**PARA REPARACIÓN Y SERVICIO DE SUS HERRAMIENTAS  
ELÉCTRICAS, FAVOR DE DIRIGIRSE AL CENTRO DE  
SERVICIO MÁS CERCANO**

**CULIACAN, SIN**

Blvd. Emiliano Zapata 5400-1 Poniente  
Col. San Rafael (667) 717 89 99

**GUADALAJARA, JAL**

Av. La Paz #1779 - Col. Americana Sector Juárez (33) 3825 6978

**MEXICO, D.F.**

Eje Central Lázaro Cárdenas No. 18  
Local D, Col. Obrera (55) 5588 9377

**MERIDA, YUC**

Calle 63 #459-A - Col. Centro (999) 928 5038

**MONTERREY, N.L.**

Av. Francisco I. Madero 831 Poniente - Col. Centro (818) 375 23 13

**PUEBLA, PUE**

17 Norte #205 - Col. Centro (222) 246 3714

**QUERETARO, QRO**

Av. San Roque 274 - Col. San Gregorio (442) 2 17 63 14

**SAN LUIS POTOSI, SLP**

Av. Universidad 1525 - Col. San Luis (444) 814 2383

**TORREON, COAH**

Blvd. Independencia, 96 Pte. - Col. Centro (871) 716 5265

**VERACRUZ, VER**

Prolongación Díaz Mirón #4280 - Col. Remes (229) 921 7016

**VILLAHERMOSA, TAB**

Constitución 516-A - Col. Centro (993) 312 5111

**PARA OTRAS LOCALIDADES:**

**Si se encuentra en México, por favor llame al (55) 5326 7100**

**Si se encuentra en U.S., por favor llame al**

**1-800-433-9258 (1-800 4-DEWALT)**

***Póliza de Garantía***

IDENTIFICACIÓN DEL PRODUCTO:

Sello o firma del Distribuidor.

Nombre del producto: \_\_\_\_\_ Mod./Cat.: \_\_\_\_\_

Marca: \_\_\_\_\_ Núm. de serie: \_\_\_\_\_

(Datos para ser llenados por el distribuidor)

Fecha de compra y/o entrega del producto: \_\_\_\_\_

Nombre y domicilio del distribuidor donde se adquirió el producto: \_\_\_\_\_

Este producto está garantizado por un año a partir de la fecha de entrega, contra cualquier defecto en su funcionamiento, así como en materiales y mano de obra empleados para su fabricación. Nuestra garantía incluye la reparación o reposición del producto y/o componentes sin cargo alguno para el cliente, incluyendo mano de obra, así como los gastos de transportación razonablemente erogados derivados del cumplimiento de este certificado.

Para hacer efectiva esta garantía deberá presentar su herramienta y esta póliza sellada por el establecimiento comercial donde se adquirió el producto, de no contar con ésta, bastará la factura de compra.

**EXCEPCIONES**

Esta garantía no será válida en los siguientes casos:

- Cuando el producto se hubiese utilizado en condiciones distintas a las normales;
- Cuando el producto no hubiese sido operado de acuerdo con el instructivo de uso que se acompaña;

**Español**

- Cuando el producto hubiese sido alterado o reparado por personas distintas a las enlistadas al final de este certificado.

Anexo encontrará una relación de sucursales de servicio de fábrica, centros de servicio autorizados y franquiciados en la República Mexicana, donde podrá hacer efectiva su garantía y adquirir partes, refacciones y accesorios originales.

### **Registro en línea**

Gracias por su compra. Registre su producto ahora para:

- **SERVICIO EN GARANTÍA:** Si completa esta tarjeta, podrá obtener un servicio en garantía más eficiente, en caso de que exista un problema con su producto.
- **CONFIRMACIÓN DE PROPIEDAD:** En caso de una pérdida que cubra el seguro, como un incendio, una inundación o un robo, el registro de propiedad servirá como comprobante de compra.
- **PARA SU SEGURIDAD:** Si registra el producto, podremos comunicarnos con usted en el caso improbable que se deba enviar una notificación de seguridad conforme a la Federal Consumer Safety Act (Ley Federal de Seguridad de Productos para el Consumidor).

Registro en línea en [www.dewalt.com/register](http://www.dewalt.com/register).

### **Garantía limitada por tres años**

DEWALT reparará, sin cargo, cualquier falla que surja de defectos en el material o la fabricación del producto, por hasta tres años a contar de la fecha de compra. Esta garantía no cubre fallas de las piezas causadas por su desgaste normal o abuso a la herramienta. Para mayores detalles sobre la cobertura de la garantía e información acerca de reparaciones realizadas bajo garantía, visítenos en [www.dewalt.com](http://www.dewalt.com) o diríjase al centro de servicio más cercano. Esta garantía no aplica a accesorios o a daños causados por reparaciones realizadas o intentadas por terceros. Esta garantía le otorga derechos

legales específicos, además de los cuales puede tener otros dependiendo del estado o la provincia en que se encuentre.

Además de la garantía, las herramientas DEWALT están cubiertas por:

#### **1 AÑO DE SERVICIO GRATUITO**

DEWALT mantendrá la herramienta y reemplazará las piezas gastadas por su uso normal, sin cobro, en cualquier momento durante un año a contar de la fecha de compra. Los artículos gastados por la clavadora, tales como la unidad de hoja y retorno del impulsador, no están cubiertas.

#### **2 AÑOS DE SERVICIO GRATUITO PARA UNIDADES DE ALIMENTACIÓN DEWALT**

DC9071, DC9091, DC9096, DC9280, DC9360, DC9180, DCB120, DCB201 y DCB203

#### **3 AÑOS DE SERVICIO GRATUITO PARA UNIDADES DE ALIMENTACIÓN DEWALT**

DCB200, DCB204

#### **UNIDADES DE BATERÍA DEWALT**

La garantía del producto quedará nula si la unidad de batería ha sido alterada de cualquier manera. DEWALT no es responsable de ninguna lesión causada por alteraciones y podría iniciar un procedimiento judicial por fraude de garantía hasta el máximo grado permisible por la ley.

#### **GARANTÍA DE REEMBOLSO DE SU DINERO POR 90 DÍAS**

Si no está completamente satisfecho con el desempeño de su máquina herramienta, láser o clavadora DEWALT, cualquiera sea el motivo, podrá devolverlo hasta 90 días de la fecha de compra con su recibo y obtener el reembolso completo de su dinero – sin necesidad de responder a ninguna pregunta.

**AMÉRICA LATINA:** Esta garantía no se aplica a los productos que se venden en América Latina. Para los productos que se venden en América Latina, debe consultar la información de la garantía específica del país que viene en el empaque, llamar a la compañía local o visitar el sitio Web a fin de obtener esa información.

**REEMPLAZO GRATUITO DE LAS ETIQUETAS DE ADVERTENCIAS:** Si sus etiquetas de advertencia se vuelven ilegibles o faltan, llame al 1-800-433-9258 (1-800-4-DEWALT) para que se le reemplacen gratuitamente.



## ESPECIFICACIONES

DCR006 12/20 V Máx\*

SOLAMENTE PARA PROPÓSITO DE MÉXICO:  
IMPORTADO POR: DEWALT INDUSTRIAL TOOL CO. S.A. DE C.V.  
AVENIDA ANTONIO DOVALI JAIME, # 70 TORRE B PISO 9  
COLONIA LA FE, SANTA FÉ  
CÓDIGO POSTAL : 01210  
DELEGACIÓN ALVARO OBREGÓN  
MÉXICO D.F.  
TEL. (52) 555-326-7100  
R.F.C.: BDE810626-1W7

Para servicio y ventas consulte  
"HERRAMIENTAS ELECTRICAS"  
en la sección amarilla.



DEWALT Battery and Charger Systems																												
		Chargers/Charge Time (Minutes) – Chargeurs/Durée de charge (Minutes) – Cargadores de baterías/Tiempo de carga (Minutos)																										
Battery Cat #	Output Voltage	120 Volts																			12 Volts							
		DC011	DC022	DC9090	DC9310	DC9320	DCB095	DCB100	DCB101	DCB102	DCB103	DCB106	DCB107	DCB112	DW911	DW9106	DW9107	DW9108	DW9116	DW9117	DW9118	DW9216	DW9226	DW0246	DCB119	DW0249	DW9109	DC9319
DC9360	36	X	X	45	X	X	X	X	X	X	X	X	X	X	X	X	X	X	X	X	X	X	X	X	X	X	X	X
DCB361	36	X	X	45	X	X	X	X	X	X	X	X	X	X	X	X	X	X	X	X	X	X	X	X	X	X	X	X
DC9280	28	X	X	60	X	X	X	X	X	X	X	X	X	X	X	X	X	X	X	X	X	X	X	X	X	X	X	X
DW0242	24	X	X	X	X	X	X	X	X	X	X	X	X	X	X	X	X	X	X	X	X	X	X	60	X	60	X	X
DCB200	20	X	X	X	X	X	X	X	60	60	60	140	140	90	X	X	X	X	X	X	X	X	X	90	X	X	X	X
DCB201	20	X	X	X	X	X	X	X	30	30	30	70	70	45	X	X	X	X	X	X	X	X	X	45	X	X	X	X
DCB203	20	X	X	X	X	X	X	X	35	35	35	90	90	60	X	X	X	X	X	X	X	X	60	X	X	X	X	X
DCB204	20	X	X	X	X	X	X	X	70	70	70	185	185	120	X	X	X	X	X	X	X	X	120	X	X	X	X	X
DCB205	20	X	X	X	X	X	X	X	90	90	90	240	240	150	X	X	X	X	X	X	X	X	150	X	X	X	X	X
DCB207	20	X	X	X	X	X	X	X	30	30	30	60	60	40	X	X	X	X	X	X	X	X	X	X	X	X	X	X
DC9096	18	60	60	X	60	60	X	X	X	X	60	X	X	60	X	X	60	60	20	X	60	130	X	X	X	60	60	
DC9099	18	45	45	X	45	45	X	X	X	X	45	X	X	45	X	X	45	15	X	45	95	X	X	X	X	45	45	
DC9180	18	X	X	X	60	60	X	X	X	X	60	X	X	X	X	X	X	X	X	X	X	X	X	X	X	X	60	
DC9181	18	X	X	X	30	30	X	X	X	X	30	X	X	X	X	X	X	X	X	X	X	X	X	X	X	X	30	
DW9096	18	60	60	X	60	60	X	X	X	X	60	X	X	60	X	X	60	60	20	X	60	130	X	X	X	60	60	
DW9098	18	30	30	X	30	30	X	X	X	X	30	X	X	30	X	X	30	30	12	X	30	60	X	X	X	30	30	
DW9099	18	45	45	X	45	45	X	X	X	X	45	X	X	45	X	X	45	15	X	45	95	X	X	X	X	45	45	
DC9091	14.4	60	60	X	60	60	X	X	X	X	60	X	X	60	90	60	60	60	20	115	60	115	X	X	X	60	60	
DC9094	14.4	45	45	X	45	45	X	X	X	X	45	X	X	45	60	45	45	15	90	45	90	X	X	X	X	45	45	
DW9091	14.4	45	45	X	45	45	X	X	X	X	45	X	X	45	60	45	45	15	90	45	90	X	X	X	X	45	45	
DW9094	14.4	30	30	X	30	30	X	X	X	X	30	X	X	30	45	30	30	30	12	60	30	60	X	X	X	30	30	
DCB120	12	X	X	X	X	X	X	40	30	30	30	X	60	45	X	X	X	X	X	X	X	X	45	X	X	X	X	
DCB127	12	X	X	X	X	X	X	X	35	35	35	90	60	X	X	X	X	X	X	X	X	X	60	X	X	X	X	
DC9071	12	60	60	X	60	60	X	X	X	X	60	X	X	60	90	60	60	60	20	115	60	115	X	X	X	60	60	
DW9050	12	X	X	X	X	X	X	X	X	X	X	X	X	40	X	X	X	X	X	X	X	X	X	X	X	X	X	
DW9071	12	45	45	X	45	45	X	X	X	X	45	X	X	45	60	45	45	15	90	45	90	X	X	X	X	45	45	
DW9072	12	30	30	X	30	30	X	X	X	X	30	X	X	30	45	30	30	30	12	60	30	60	X	X	X	30	30	
DW9048	9.6	X	X	X	X	X	X	X	X	X	X	X	X	40	X	X	X	X	X	X	X	X	X	X	X	X	X	
DW9061	9.6	45	45	X	45	45	X	X	X	X	45	X	X	45	60	45	45	15	90	45	90	X	X	X	X	45	45	
DW9062	9.6	30	30	X	30	30	X	X	X	X	30	X	X	30	45	30	30	30	12	60	30	60	X	X	X	30	30	
DCB080	8	X	X	X	X	X	60	X	X	X	X	X	X	X	X	X	X	X	X	X	X	X	X	X	X	X	X	
DW9057	7.2	30	30	X	30	30	X	X	X	X	30	X	X	30	45	30	30	30	12	60	30	60	X	X	X	30	30	

\*X\* Indicates that the battery pack is not compatible with that specific charger.  
 \*X\* indique que le bloc-piles n'est pas compatible avec ce chargeur.  
 Una \*X\* indica que el paquete de baterías no es compatible con ese determinado cargador.

**All charge times are approximate. Actual charge time may vary. Read the instruction manual for more specific information.**  
 Les durées de charge sont approximatives; la durée de charge réelle peut varier. Lire le manuel d'utilisation pour obtenir des renseignements plus précis.  
 El tiempo de duración de carga es aproximado; la duración de carga real puede variar. Lea el manual de instrucciones para obtener información más precisa.

DEWALT Industrial Tool Co., 701 East Joppa Road, Towson, MD 21286  
 (JUN14) Part No. N409555 DCR006 Copyright © 2014 DEWALT

The following are trademarks for one or more DEWALT power tools: the yellow and black color scheme; the “D” shaped air intake grill; the array of pyramids on the handgrip; the kit box configuration; and the array of lozenge-shaped humps on the surface of the tool.

- \* Maximum initial battery voltage (measured without a workload) is 20 volts. Nominal voltage is 18.
- \* La tension initiale maximum du bloc-piles (mesurée à vide) est de 20 volts. La tension nominale est de 18.
- \* El máximo voltaje inicial de la batería (medido sin carga de trabajo) es 20 voltios. El voltaje nominal es de 18.