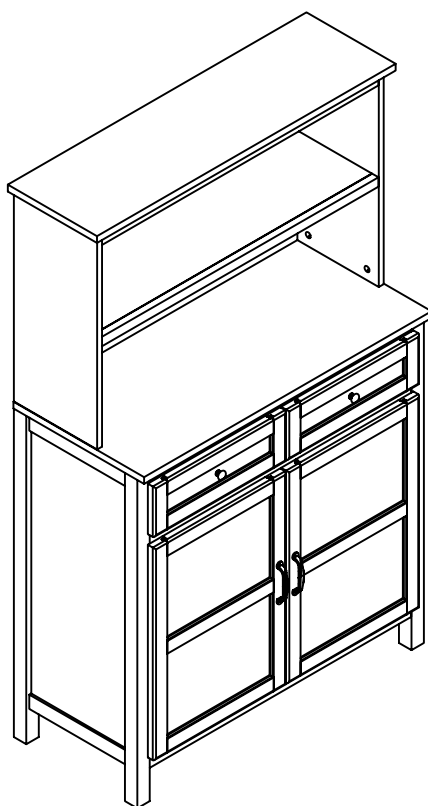


USE AND CARE GUIDE

KITCHEN STORAGE CABINET



Questions, problems, missing parts?
Before returning to the store, call Customer Service.
8 a.m. – 7 p.m., EST, Monday – Friday, 9 a.m. – 6 p.m., EST, Saturday

1-877-527-0313

HOMEDEPOT.COM

THANK YOU

We appreciate the trust and confidence you have placed in StyleWell through the purchase of this kitchen storage cabinet. We strive to continually create quality products designed to enhance your home. Visit us online to see our full line of products available for your home improvement needs. Thank you for choosing StyleWell!

Table of Contents

Table of Contents.....	2	Tools Required	4
Safety Information.....	2	Hardware Included.....	4
Warranty.....	3	Pre-assembly (continued)	5
1 Year Warranty	3	Package Contents	5
What is Covered	3	Assembly	6
What is Not Covered	3		
Pre-assembly.....	4		
Planning Assembly.....	4		

Safety Information



DANGER

- Keep small parts away from children during assembly.
- Read and follow instructions carefully.



NOTE: If you are unsure about your wall type or what mounting method you should use, consult a qualified professional.



WARNING

- Read these instructions carefully and keep in a safe place.
- **TO GUARANTEE THE SAFE USE OF THIS PRODUCT, FOLLOW THE WARNINGS, GUIDELINES AND RECOMMENDATIONS IN THIS MANUAL.**
- Adult assembly required.
- Small parts may present choking hazard prior to assembly.
- To further reduce the risk of serious injury and death from tip-overs:
 - Place heaviest items in the lowest compartments or drawers.
 - Never allow children to climb or hang on drawers, doors or shelves.
 - Never open more than one drawer at a time.
 - Use of tip-over restraints may only reduce, but not eliminate, the risk of tip-over.
 - For safe mounting, it is essential to use wall anchors appropriate to your wall type (i.e. plaster, drywall, concrete, etc). Mount to wood studs whenever possible.*



CAUTION

- Do not use power tools to assemble your furniture. Power tools may strip or damage parts/product.
- Do not overtighten connectors (screws, bolts, etc.). Overtightening can lead to product damage.
- Be sure to check all packing materials carefully for small parts that may have come loose inside the carton during shipment. If parts are missing, contact THE HOME DEPOT to obtain any missing parts.
- **DO NOT USE SUBSTITUTE PARTS.**
- This product should only be used on a flat, level surface.
- Product is designed to hold 90 pounds. Exceeding this limit may damage the product or cause injury to the user.

Warranty

1 YEAR WARRANTY

WHAT IS COVERED

We guarantee this product to be free of manufacturing defects to the original purchaser for one year.

WHAT IS NOT COVERED

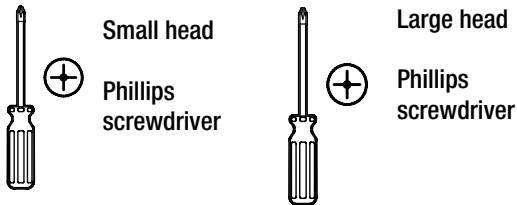
This warranty does not cover commercial use, acts of nature, and abusive use.

Pre-assembly


PLANNING ASSEMBLY

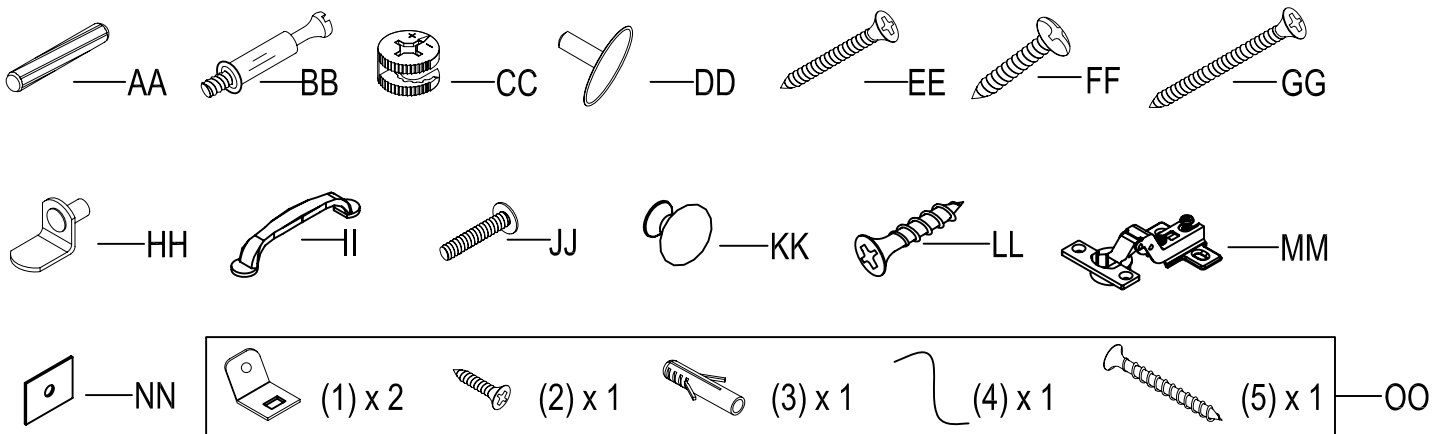
Keep children and pets away from build area. Make sure your area is large enough to unpack, sort and assemble the unit.

TOOLS REQUIRED



HARDWARE INCLUDED

 **NOTE:** Hardware not shown to actual size.

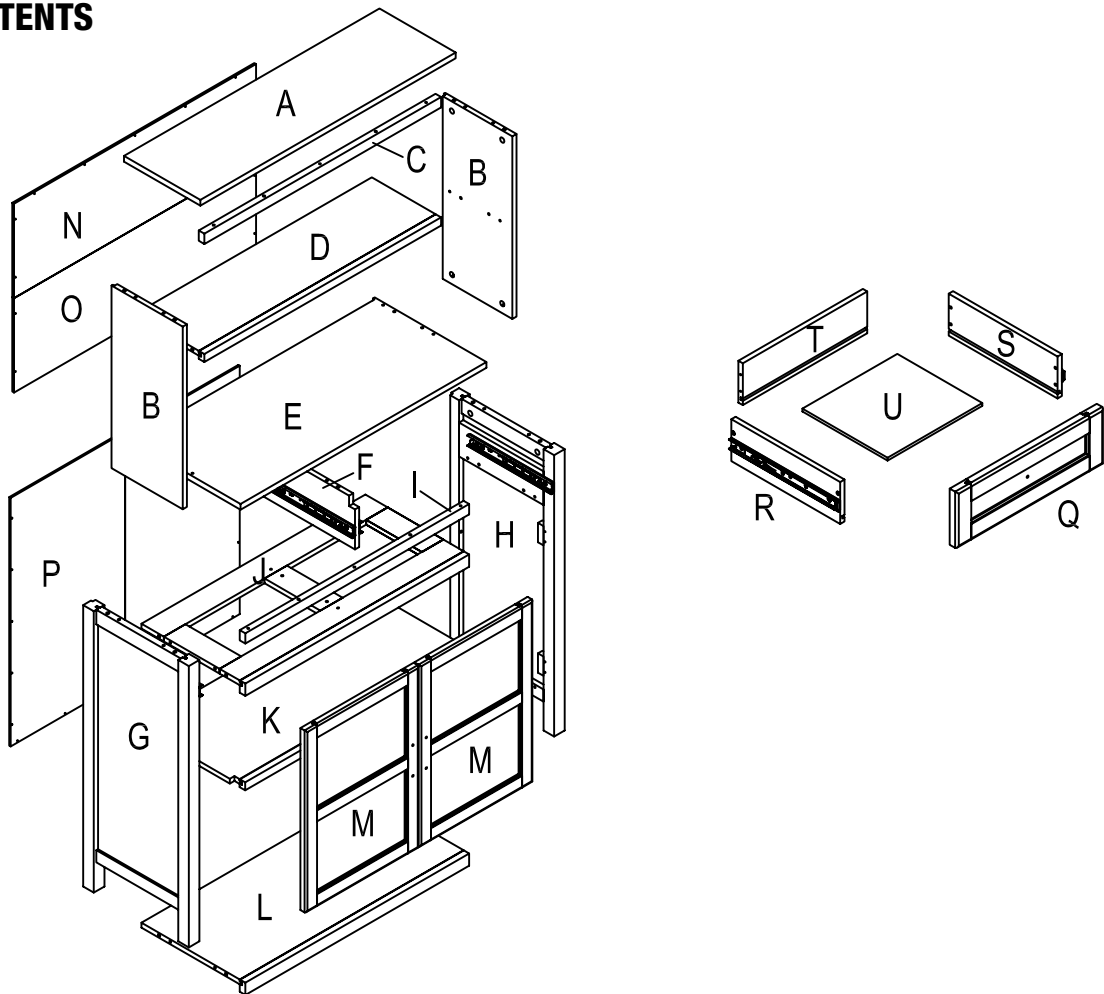


Part	Description	Quantity
AA	Wood dowel	32
BB	Cam lock bolt	28
CC	Cam lock	28
DD	Plastic cover	8
EE	1 in. Flat head screw	16
FF	5/8 in. Round head screw	39
GG	1-1/2 in. Flat head screw	6
HH	Shelf support	4
II	Handle	2

Part	Description	Quantity
JJ	Bolt	6
KK	Knob	2
LL	5/8 in. Flat head screw	16
MM	Hinge	4
NN	Metal plate	10
OO	Anti-tipping hardware package	1

Pre-assembly (continued)

PACKAGE CONTENTS



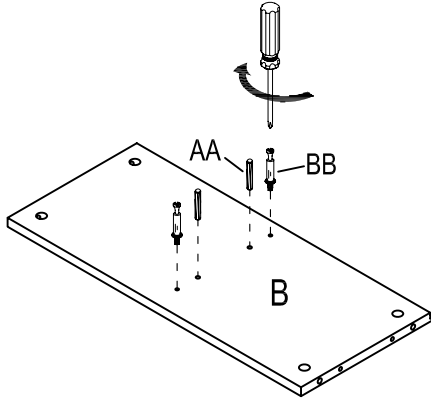
Part	Description	Quantity
A	Hutch top panel	1
B	Hutch side panel	2
C	Top crossbar	1
D	Top fixed panel	1
E	Middle fixed panel	1
F	Partition	1
G	Bottom left side panel	1
H	Bottom right side panel	1
I	Bottom crossbar	1
J	Bottom fixed panel	1
K	Adjustable shelf	1

Part	Description	Quantity
L	Bottom panel	1
M	Door	2
N	Top back panel	1
O	Middle back panel	1
P	Bottom back panel	1
Q	Drawer front panel	2
R	Drawer left side panel	2
S	Drawer right side panel	2
T	Drawer back panel	2
U	Drawer bottom panel	2

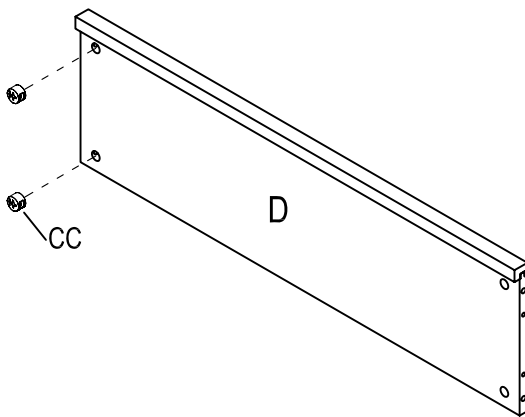
Assembly

1 Attaching the hutch side panel to the top fixed panel

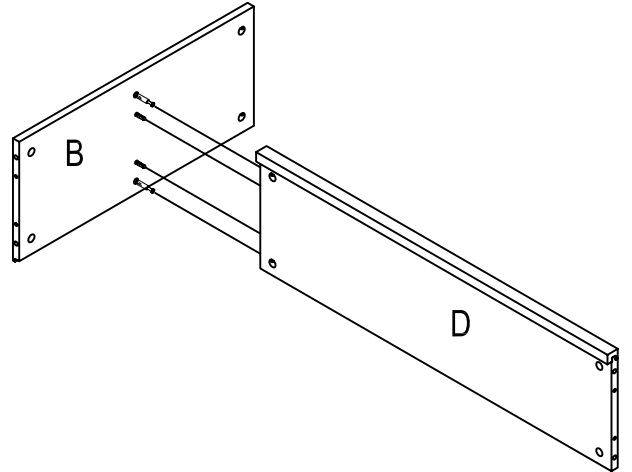
- a) Install dowel (AA) and bolt (BB) into panel (B).



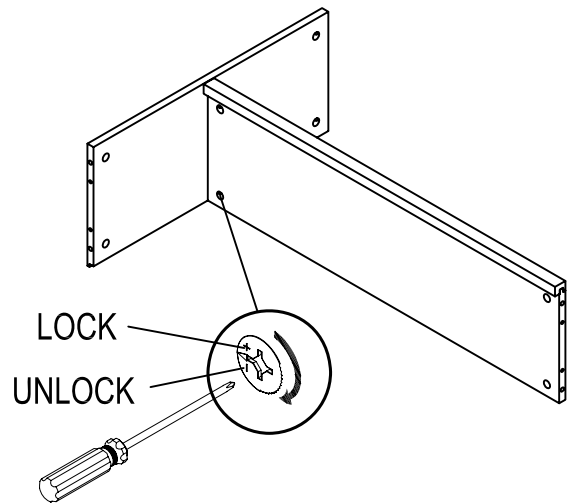
- b) Insert lock (CC) into panel (D).



- c) Join panel (B) to the panel (D) with dowel (AA).



- d) Tighten bolt (BB) with lock (CC) in the pre-drilled holes.



Wood dowel

Cam lock bolt

Cam lock

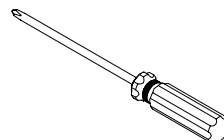
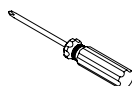
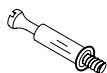
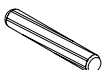
Small head

Large head

(AA) x 2

(BB) x 2

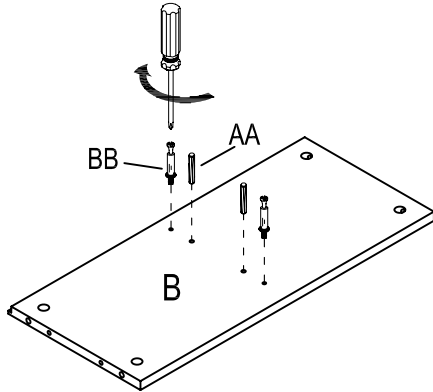
(CC) x 2



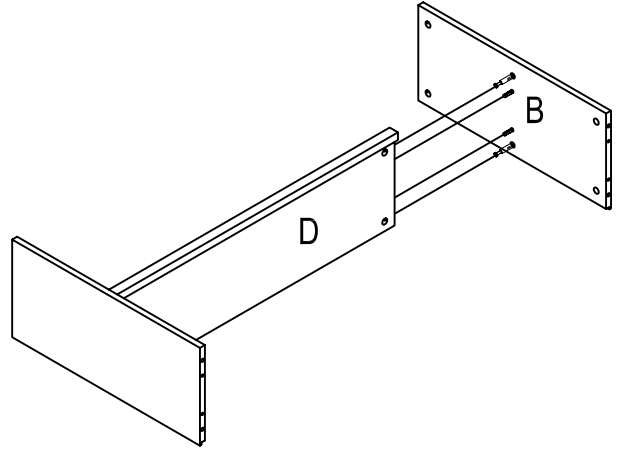
Assembly (continued)

2 Attaching the hutch side panel

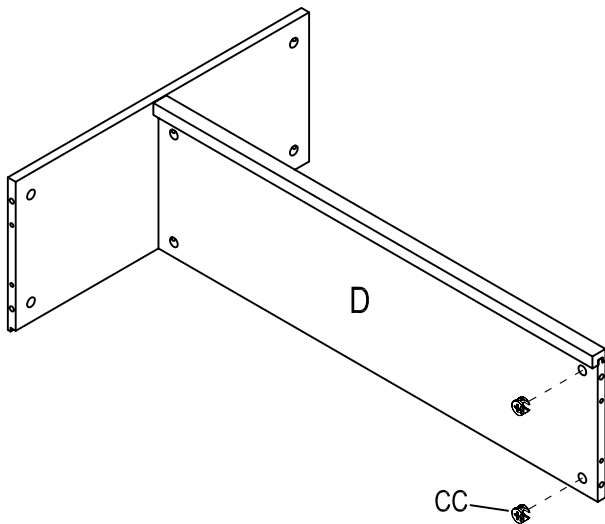
- a) Install dowel (AA) and bolt (BB) into the panel (B).



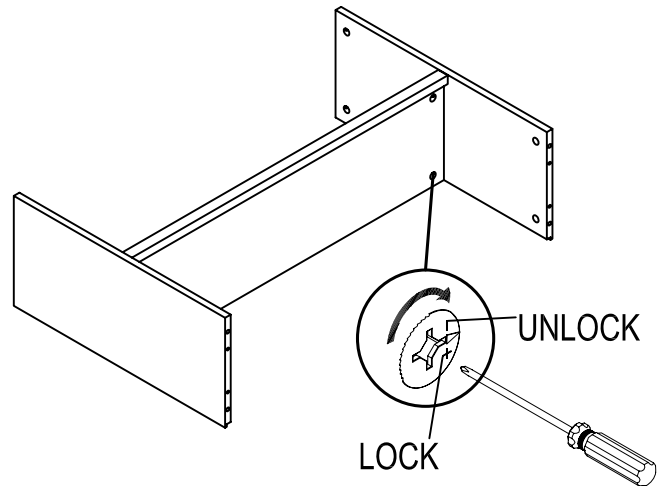
- c) Join panel (B) to the panel (D) with dowel (AA).



- b) Insert lock (CC) into panel (D).



- d) Tighten bolt (BB) with lock (CC) in the pre-drilled holes.



Wood dowel

Cam lock bolt

Cam lock

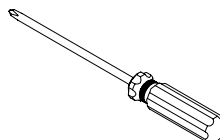
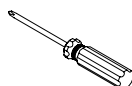
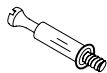
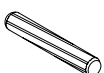
Small head

Large head

(AA) x 2

(BB) x 2

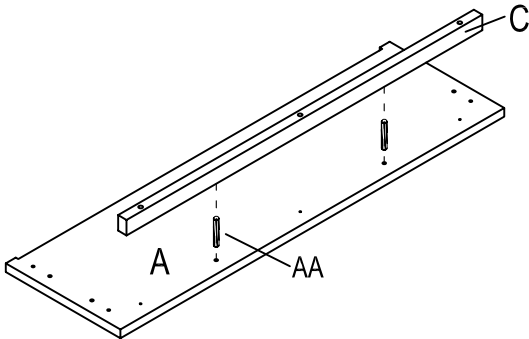
(CC) x 2



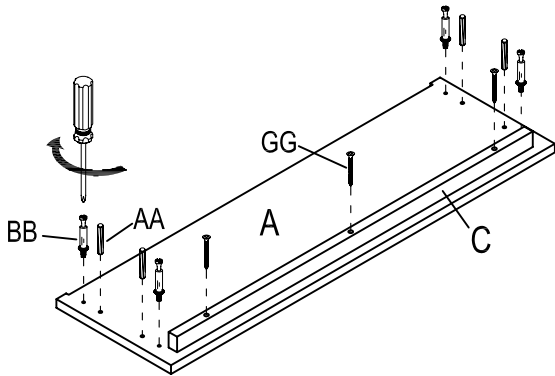
Assembly (continued)

3 Attaching the hutch top panel and top crossbar

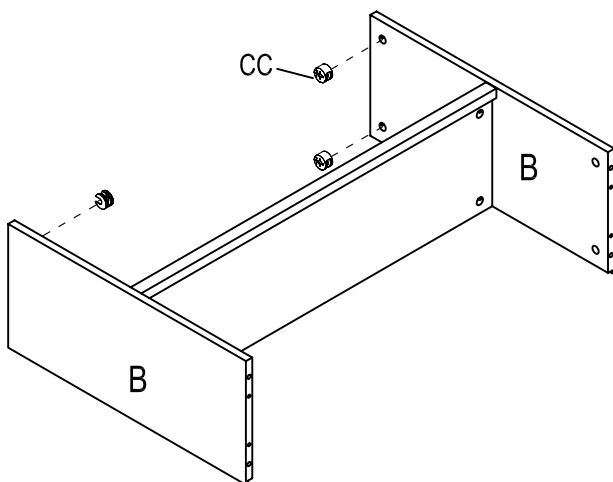
- a) Join bar (C) to the panel (A) with dowel (AA).



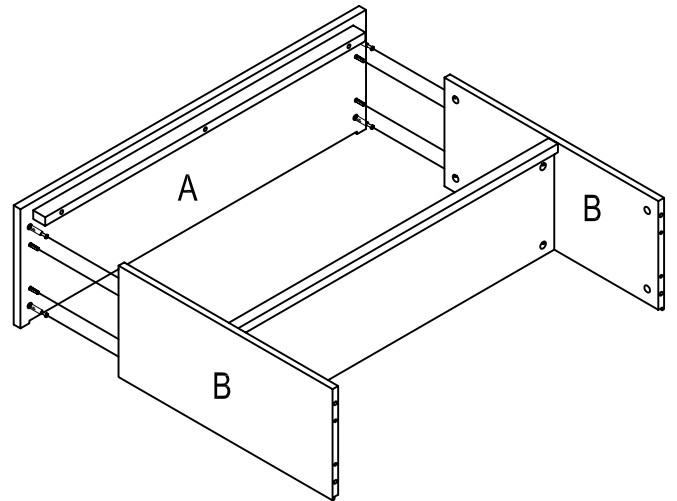
- b) Tighten bar (C) with screw (GG).
Install dowel (AA) and bolt (BB) into panel (A).



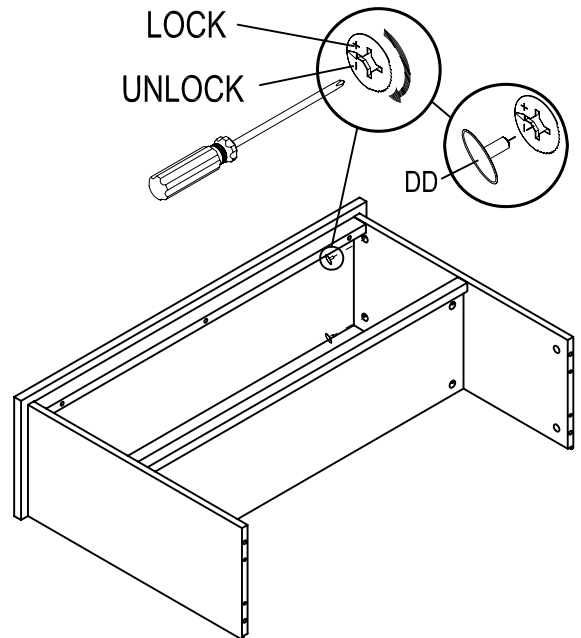
- c) Insert lock (CC) into panel (B).



- d) Join panel (A) to the assembled body with dowel (AA).



- e) Tighten bolt (BB) with lock (CC) in the pre-drilled holes.



- f) Cover the cam holes with the cover (DD).

Wood dowel Cam lock bolt Cam lock Plastic cover

(AA) x 6

(BB) x 4

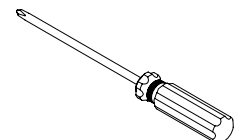
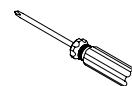
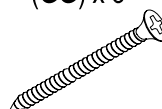
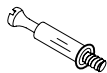
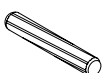
(CC) x 4

(DD) x 4

1-1/2 in. Flat head screw (GG) x 3

Small head

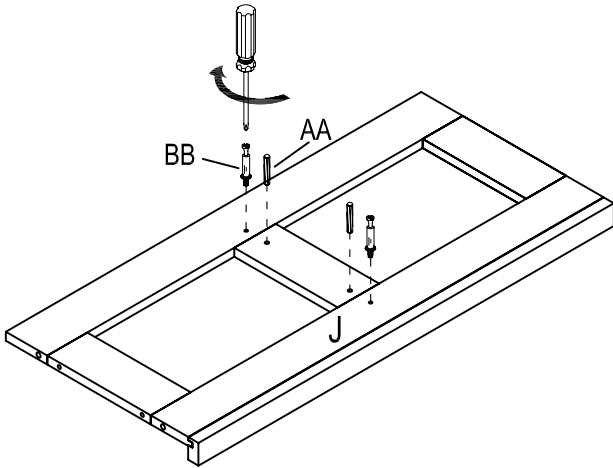
Large head



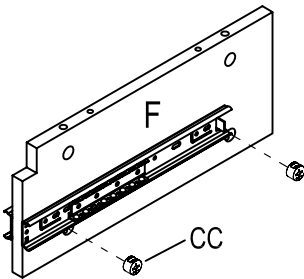
Assembly (continued)

4 Attaching the partition to the bottom fixed panel

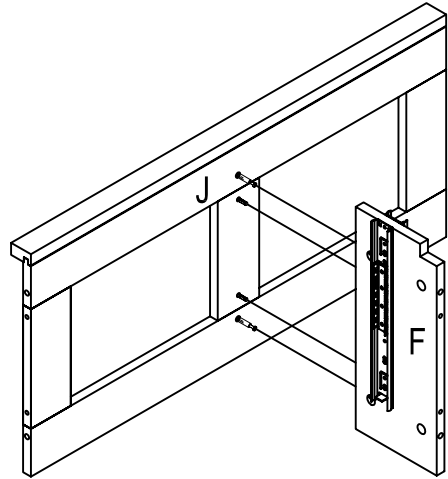
- a) Install dowel (AA) and bolt (BB) into panel (J).



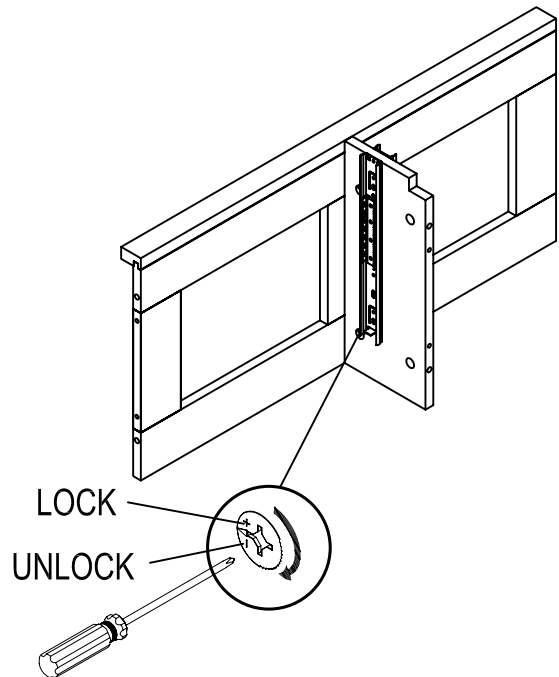
- b) Insert lock (CC) into partition (F).



- c) Join partition (F) to the panel (J) with dowel (AA).



- d) Tighten bolt (BB) with lock (CC) in the pre-drilled holes.



Wood dowel

Cam lock bolt

Cam lock

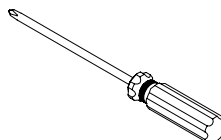
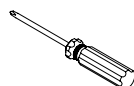
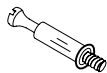
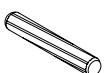
Small head

Large head

(AA) x 2

(BB) x 2

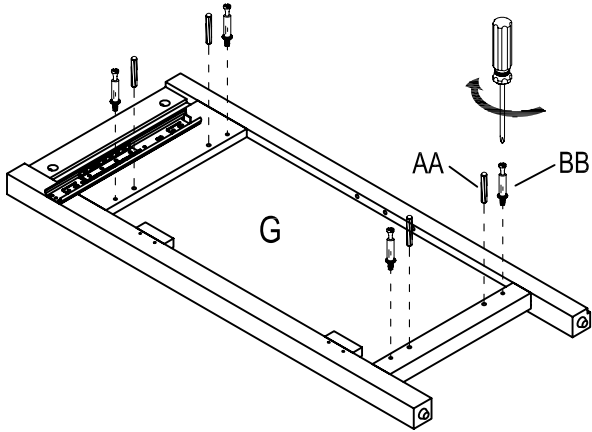
(CC) x 2



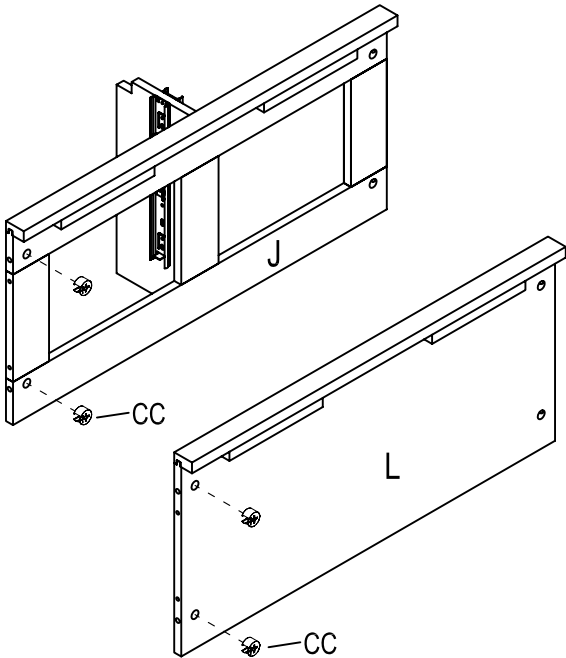
Assembly (continued)

5 Attaching the bottom panel and bottom left side panel

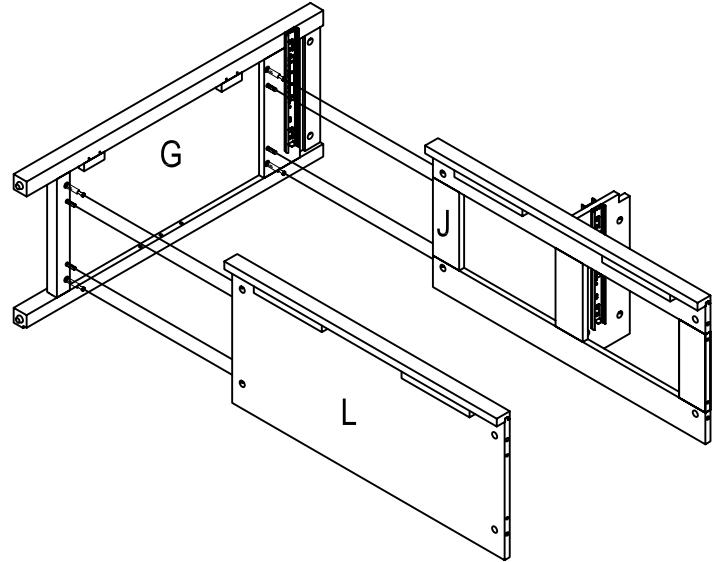
- a) Install dowel (AA) and bolt (BB) into panel (G).



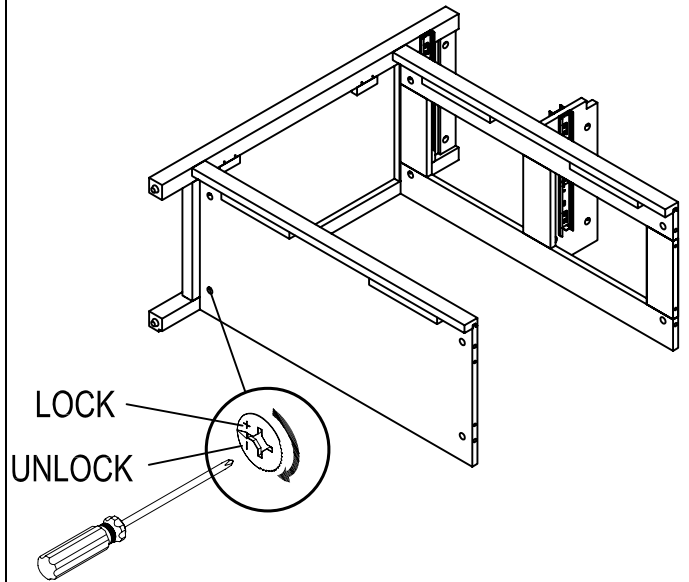
- b) Insert lock (CC) into the panels (J) and (L).



- c) Join panels (J) and (L) to the panel (G) with dowel (AA).



- d) Tighten bolt (BB) with lock (CC) in the pre-drilled holes.



Wood dowel

Cam lock bolt

Cam lock

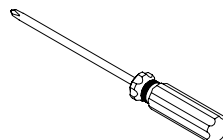
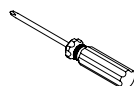
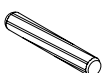
Small head

Large head

(AA) x 4

(BB) x 4

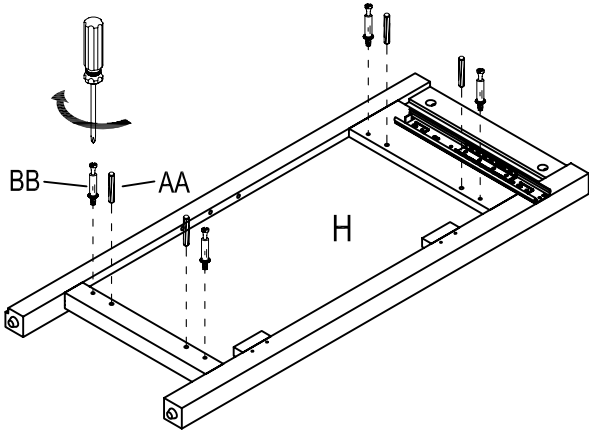
(CC) x 4



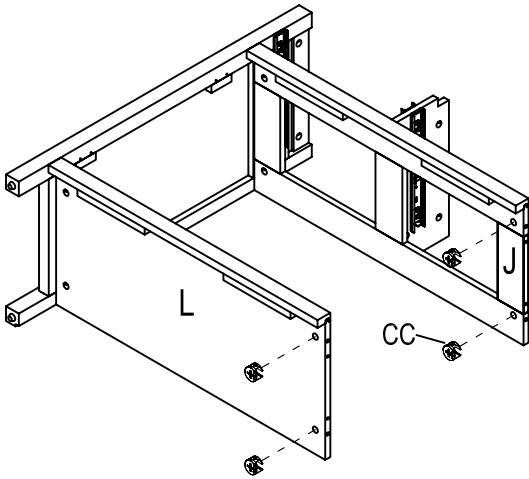
Assembly (continued)

6 Attaching the bottom right side panel

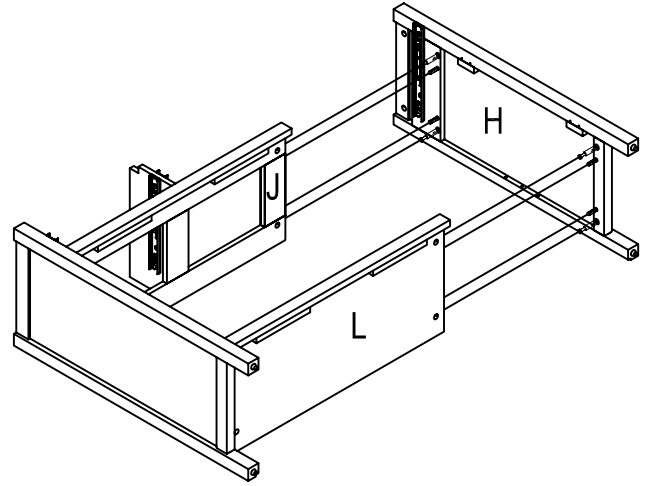
- a) Install dowel (AA) and bolt (BB) into panel (H).



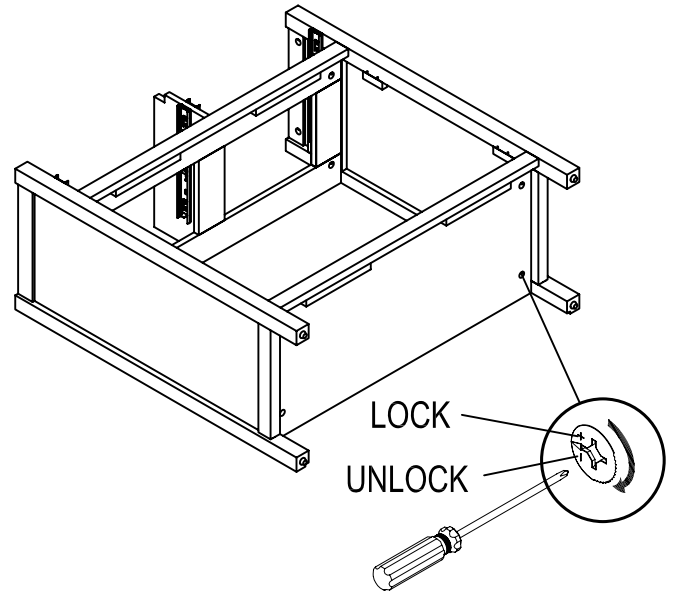
- b) Insert lock (CC) into the panels (J) and (L).



- c) Join panel (H) to the assembled body with dowel (AA).



- d) Tighten bolt (BB) with lock (CC) in the pre-drilled holes.



Wood dowel

Cam lock bolt

Cam lock

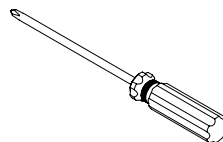
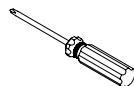
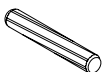
Small head

Large head

(AA) x 4

(BB) x 4

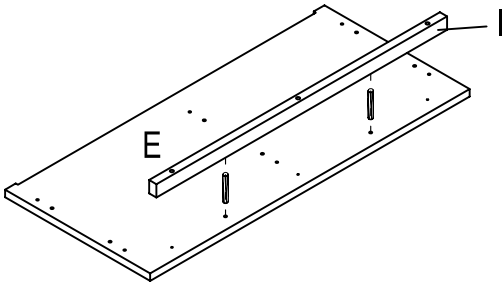
(CC) x 4



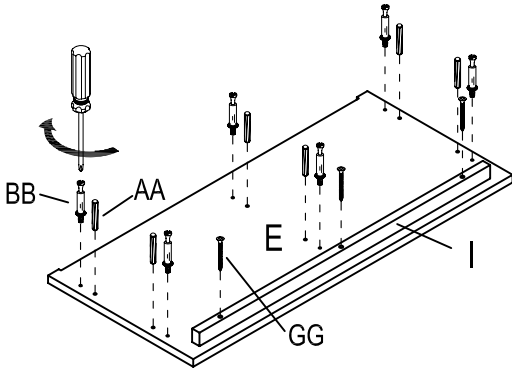
Assembly (continued)

7 Attaching the middle fixed and bottom crossbar

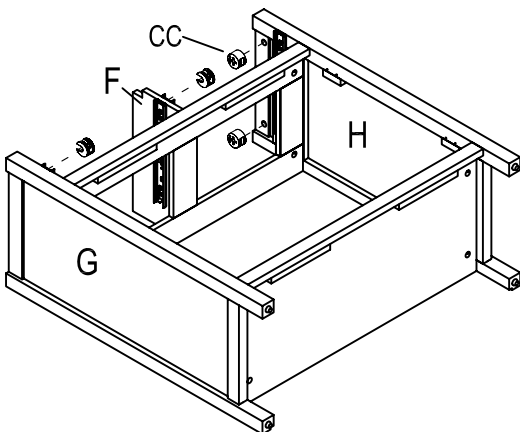
- a) Join bar (I) to the panel (E) with dowel (AA).



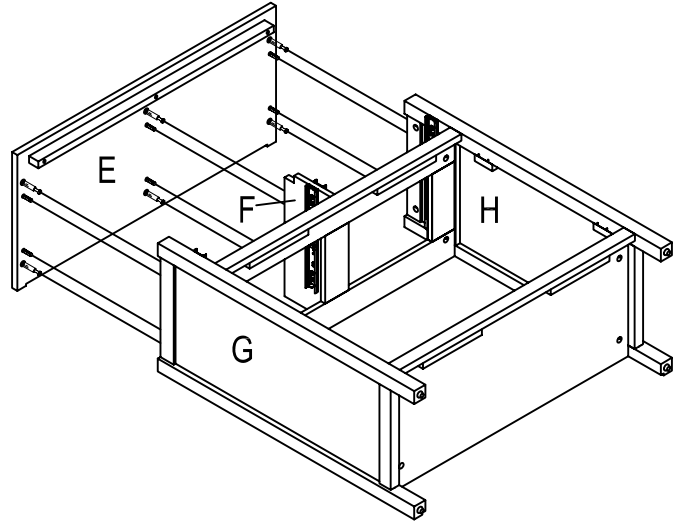
- b) Tighten bar (I) with screw (GG).
Insert dowel (AA) and bolt (BB) into panel (E).



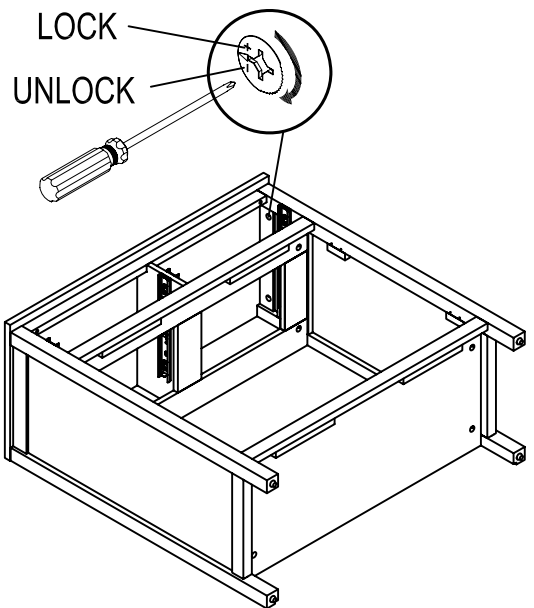
- c) Insert lock (CC) into panels (G) and (H), and partition (F).



- d) Join panel (E) to the assembled body with dowel(AA).

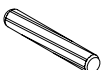


- e) Tighten bolt (BB) with lock (CC) in the pre-drilled holes.



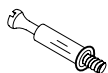
Wood dowel

(AA) x 8



Cam lock bolt

(BB) x 6



Cam lock

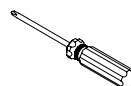
(CC) x 6



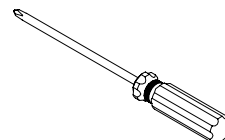
1-1/2 in. Flat
head screw
(GG) x 3



Small head



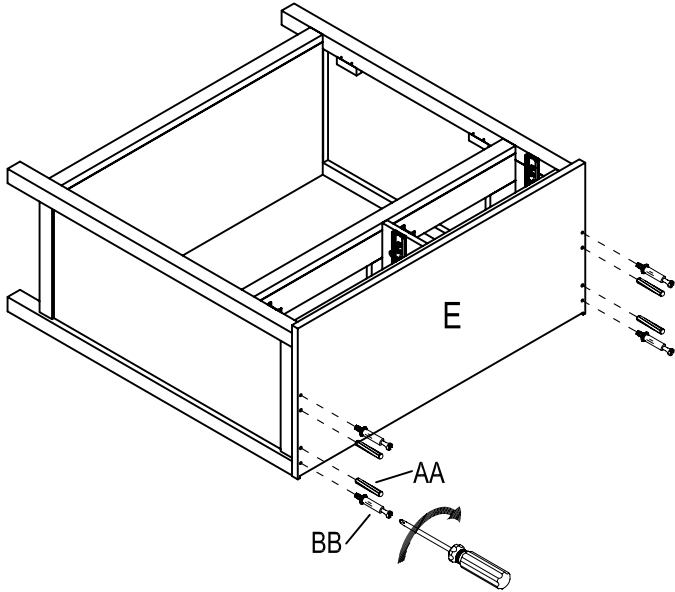
Large head



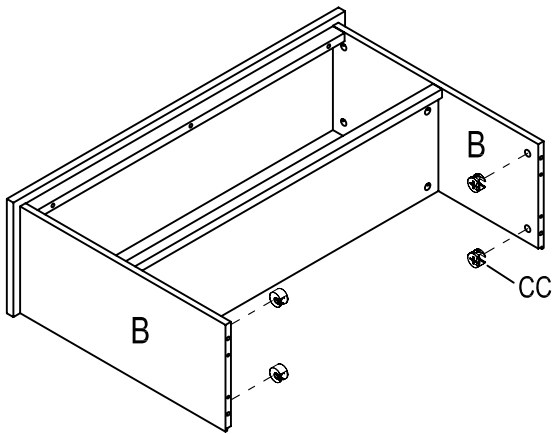
Assembly (continued)

8 Attaching the hutch

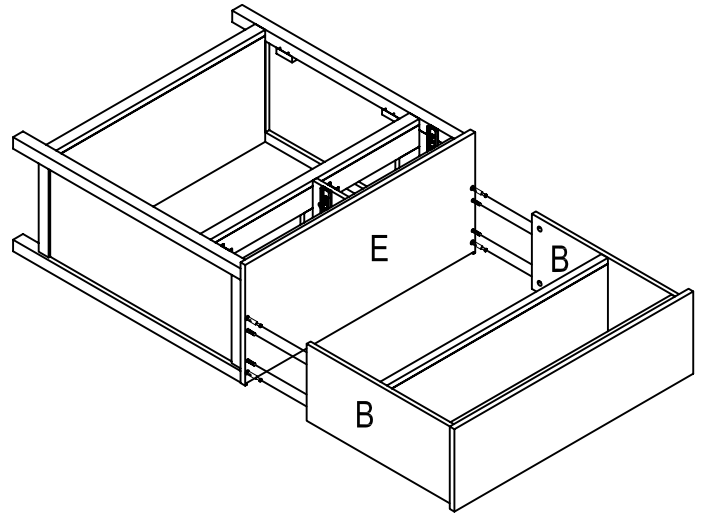
- a) Install dowel (AA) and bolt (BB) into panel (E).



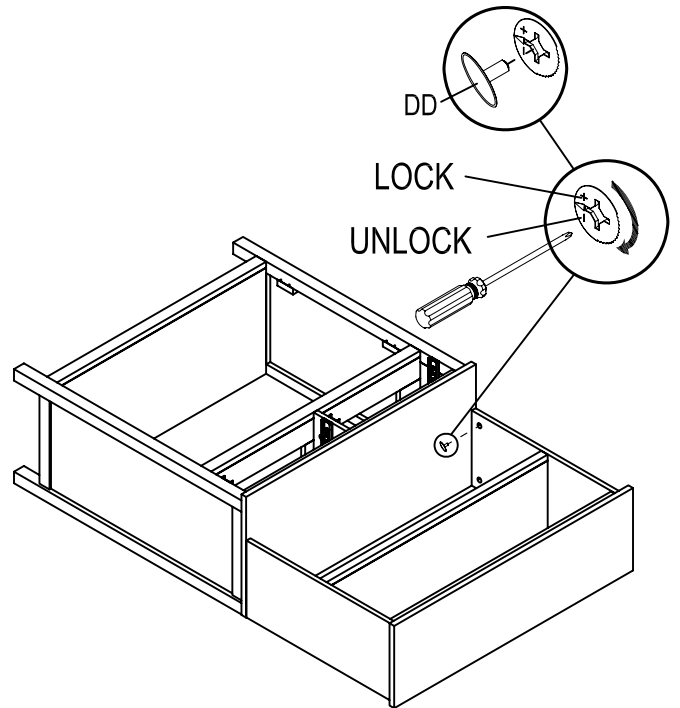
- b) Insert lock (CC) into panel (B).



- c) Join panels (B) to the assembled body with dowel (AA).



- d) Tighten bolt (BB) with lock (CC) in the pre-drilled holes.



- e) Cover the cam holes with the cover (DD).

Wood dowel

Cam lock bolt

Cam lock

Plastic cover

Small head

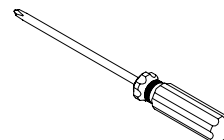
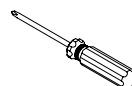
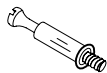
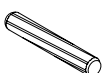
Large head

(AA) x 4

(BB) x 4

(CC) x 4

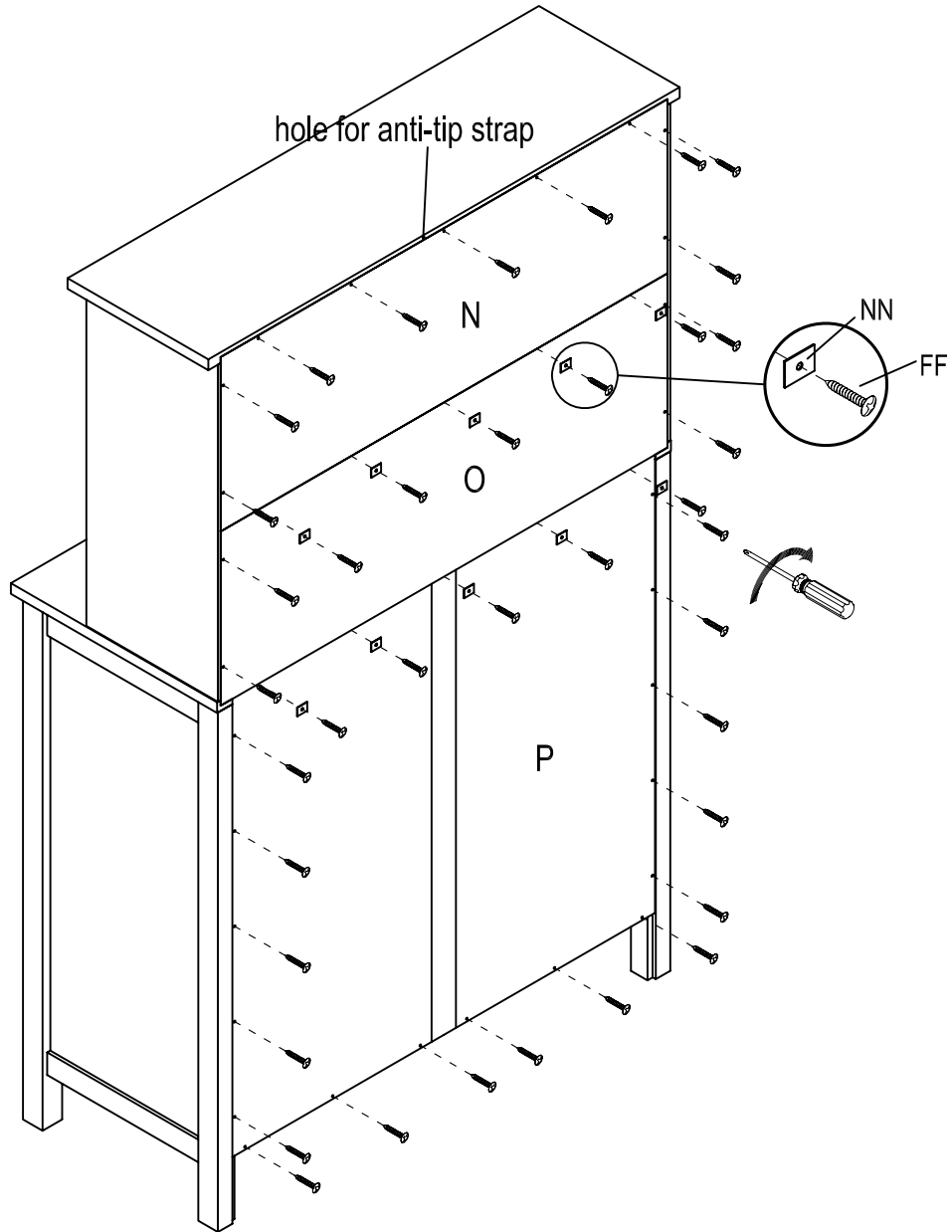
(DD) x 4



Assembly (continued)

9 Attaching the back panel

- Tighten panels (N),(O) and (P) to the assembled body with screws (FF) and plates (NN) as shown.



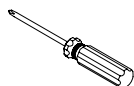
5/8 in. Round head
screw
(FF) x 39



Metal plate
(NN) x 10



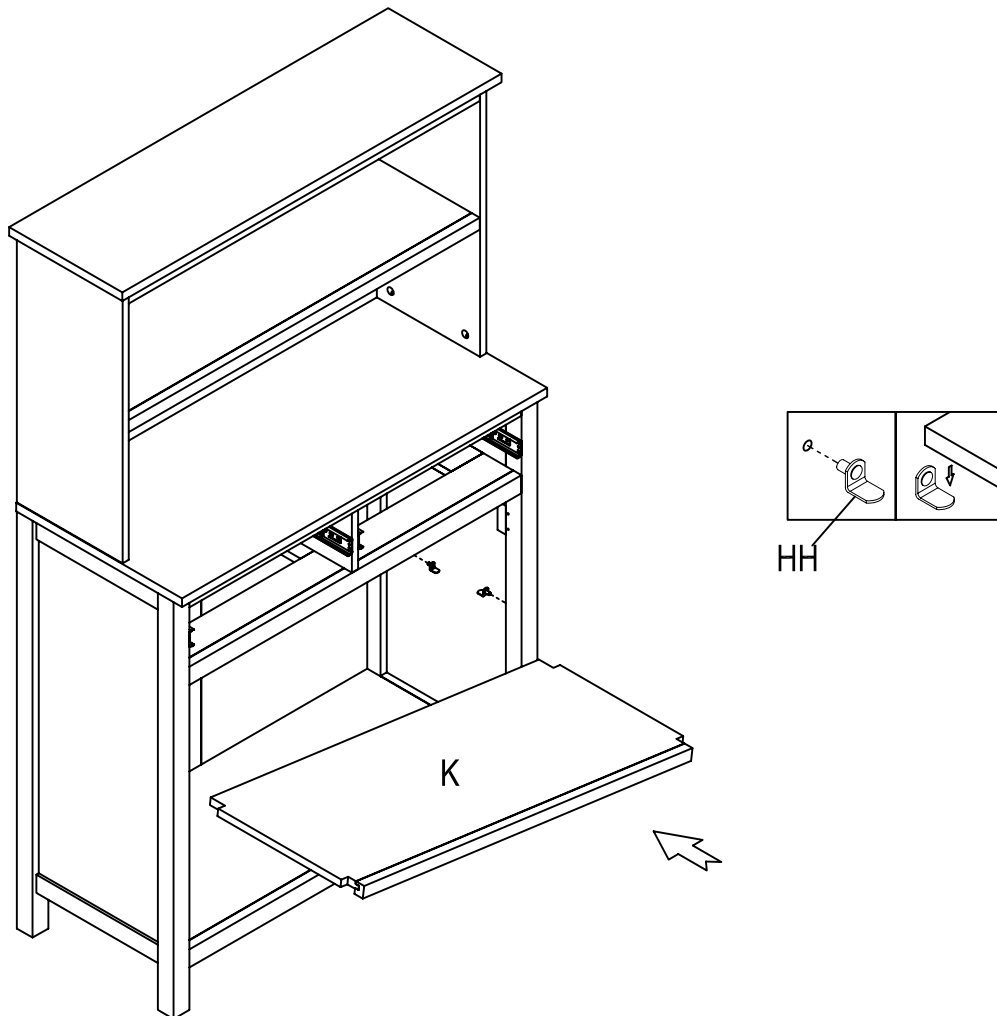
Small head



Assembly (continued)

10 Attaching the adjustable shelf

- Insert shelf supports (HH) in desired positions and place shelf (K) on the supports.



Shelf support

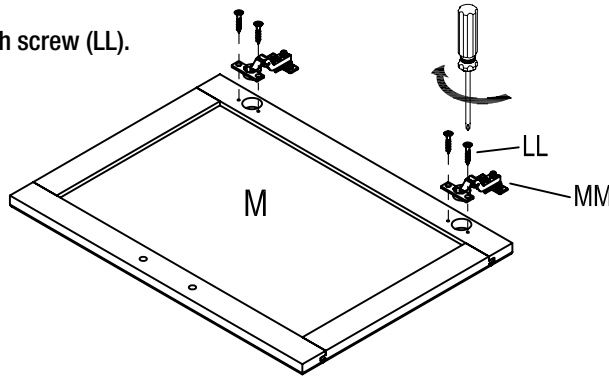
(HH) x 4



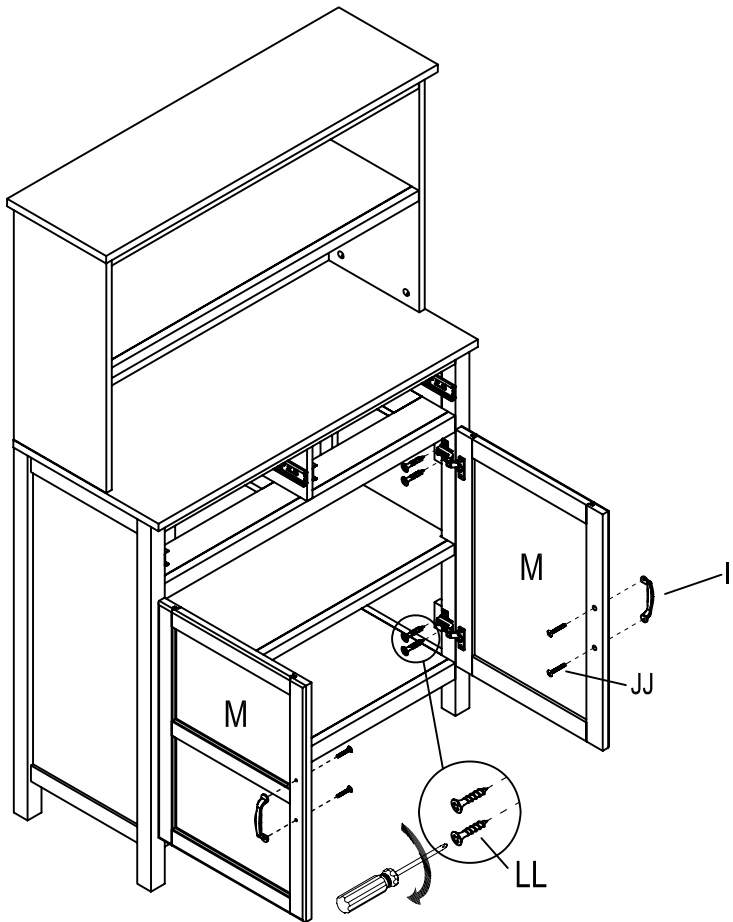
Assembly (continued)

11 Attaching the door

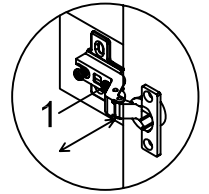
- a) Attach hinge (MM) to door (M) with screw (LL).



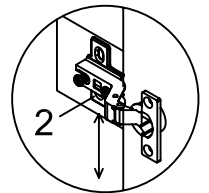
- b) Attach door (M) to the assembled body with screw (LL) as shown. Attach handle (II) to door (M) with the bolt (JJ).



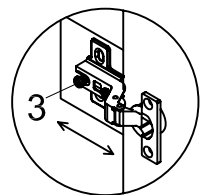
DOOR FITTING



To adjust in width



To adjust in height



To adjust in depth



NOTE: A helper who can hold the door in position makes the door installation easier.

5/8 in. Flat head screw Hinge Handle Bolt Small head

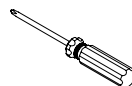
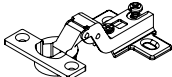
(LL) x 16

(MM) x 4

(II) x 2

(JJ) x 4

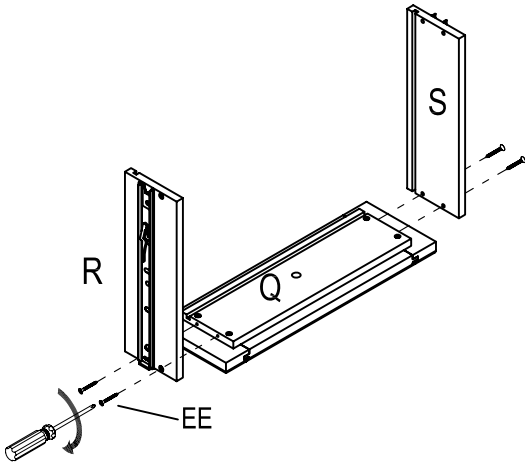
Small head



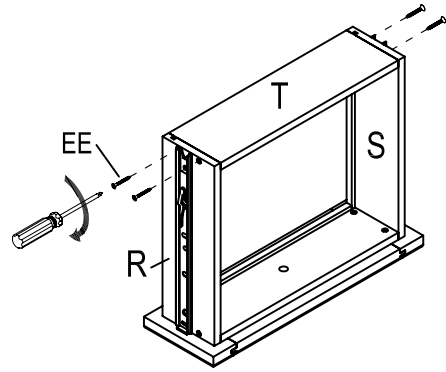
Assembly (continued)

12 Assembling the drawer

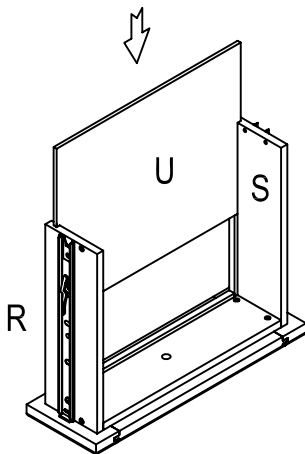
- a) Tighten panels (R) and (S) to panel (Q) with screw (EE).



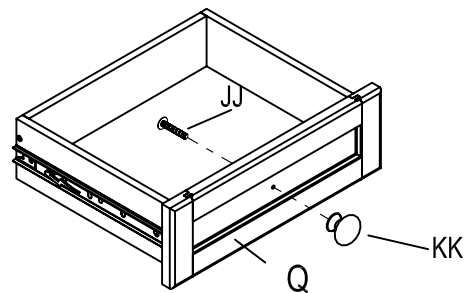
- c) Tighten panel (T) to the assembled body with screw (EE).



- b) Slide panel (U) into the grooves on panels (R) and (S).



- d) Tighten knob (KK) to panel (Q) with bolt (JJ).



1 in. Flat head screw

Bolt

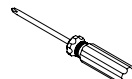
Knob

Small head

(EE) x 16

(JJ) x 2

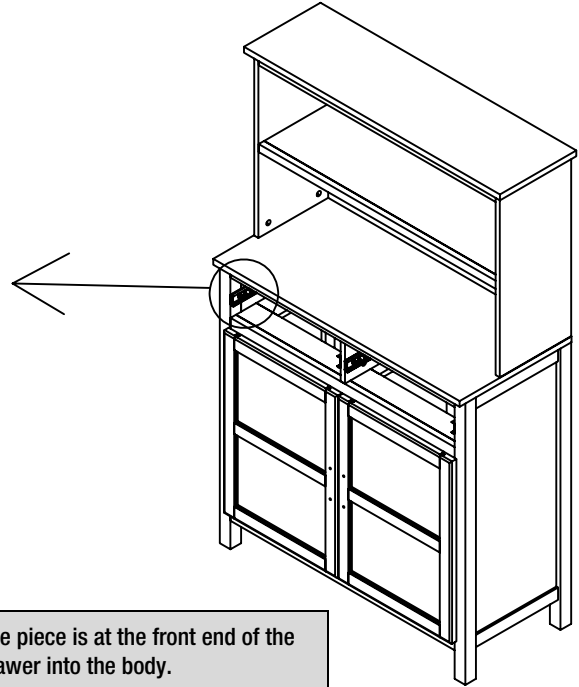
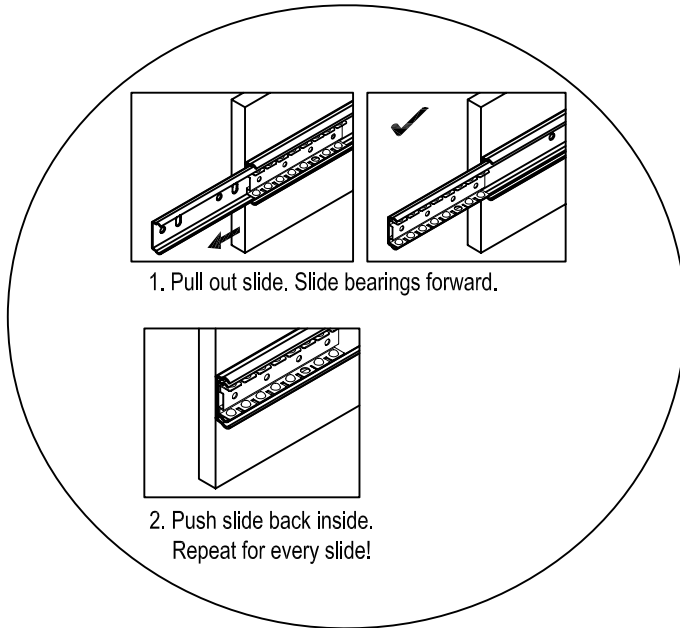
(KK) x 2




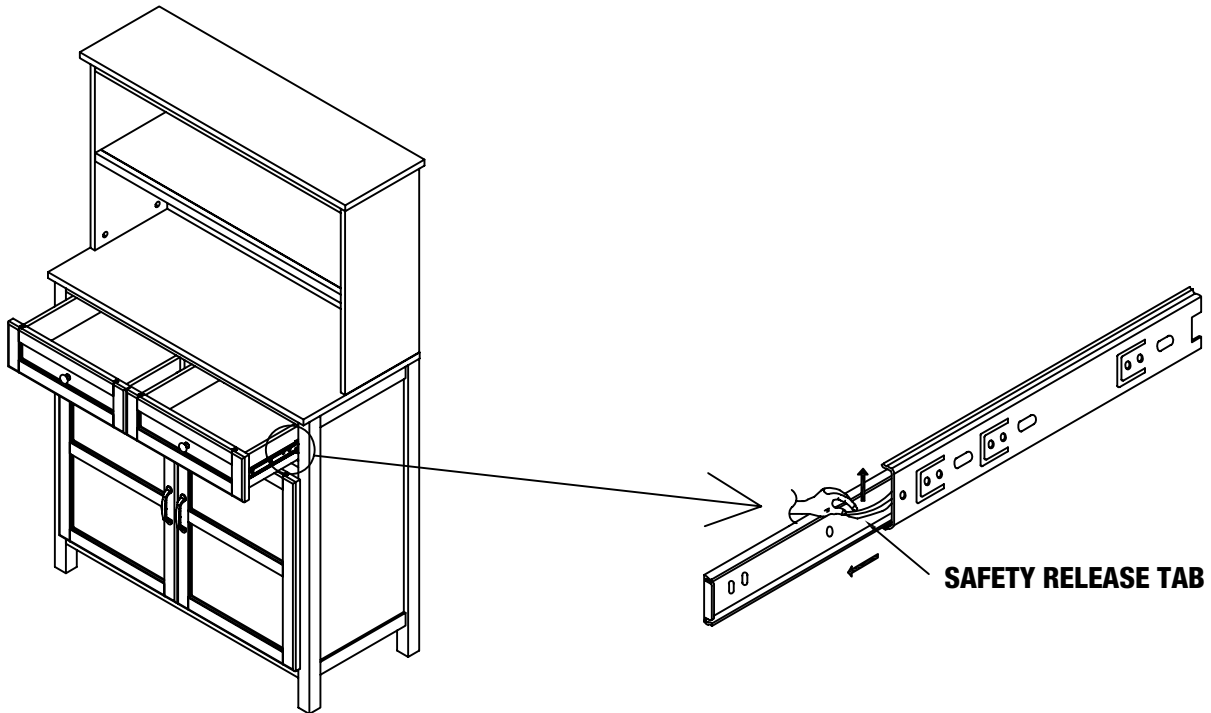
Assembly (continued)


13 Inserting the drawer

- Insert the drawer into the assembled body as shown.



 **NOTE:** Make sure the slide piece is at the front end of the glide when installing the drawer into the body.

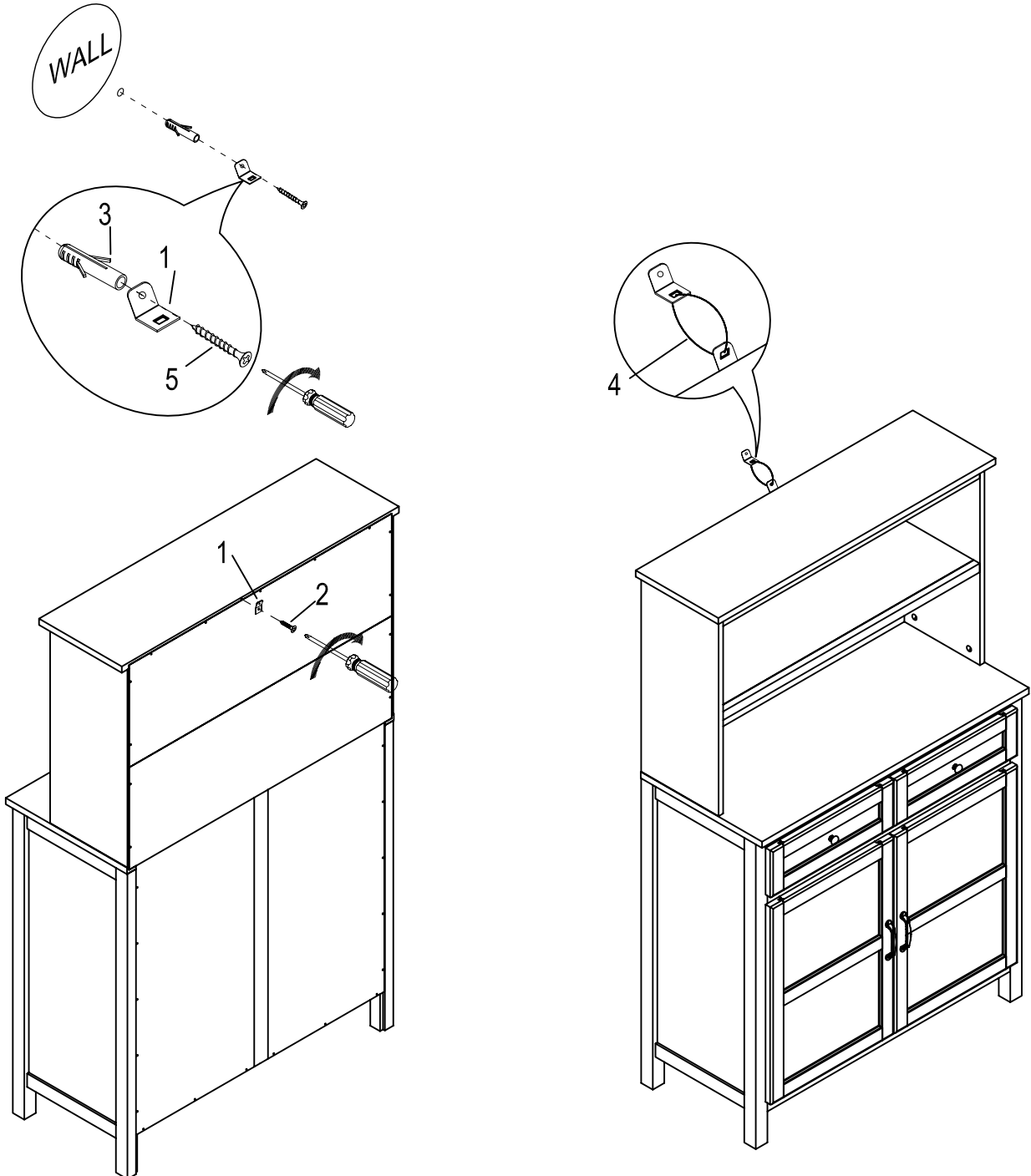


 **NOTE:** When removing the drawer, tip-up the safety release tab to remove the drawer from the body.

Assembly (continued)

14 Finalizing the assembly

- Install the anti-tipping hardware as shown.



Rectangle metal plate (1) x 2	1/2 in. Flat head screw (2) x 1	Plastic anchor (3) x 1	Plastic band (4) x 1	1-1/2 in. Flat head screw (5) x 1	Small head

StyleWell.™

Questions, problems, missing parts?
Before returning to the store, call Customer Service
8 a.m. – 7 p.m., EST, Monday – Friday, 9 a.m. – 6 p.m., EST, Saturday

1-877-527-0313

HOMEDEPOT.COM

Retain this manual for future use.