

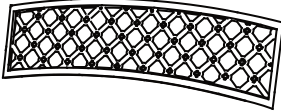
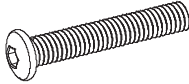
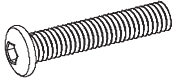

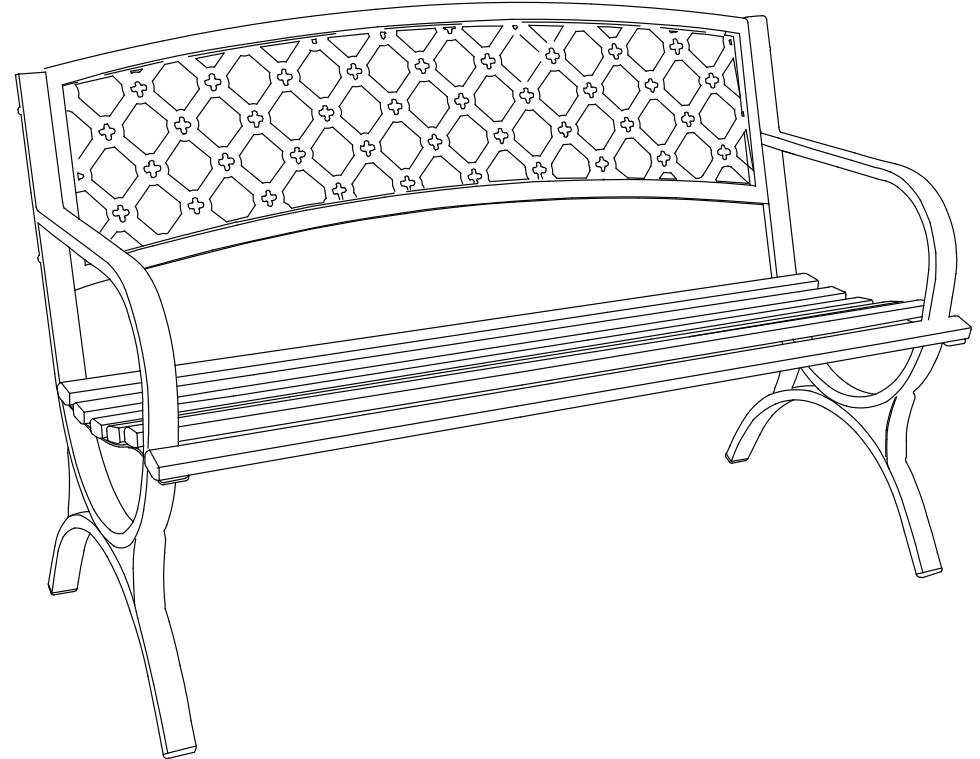


STEEL GARDEN BENCH

Part List

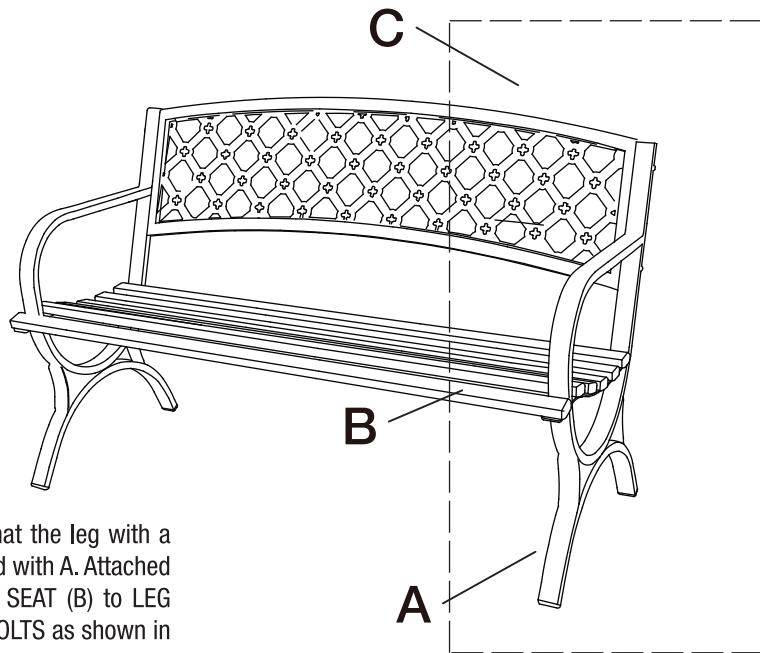
| No. | Description | Diagram | Qty pcs |
|-----|------------------|---|---------|
| A | Leg |  | 2 |
| B | Seat |  | 6 |
| C | Back |  | 1 |
| D | Bolt 55mm |  | 4 |
| E | Bolt 20mm |  | 12 |
| F | Hexagonal Wrench |  | 1 |



Thanks for choosing Able Inc products. We'd love to hear your thoughts, and so would other customers. If you are satisfied with our products and service, please let us know. If you have questions or feedback, we're here to help! cs@ableinc.com.
(We will reply you within 24 business hours)

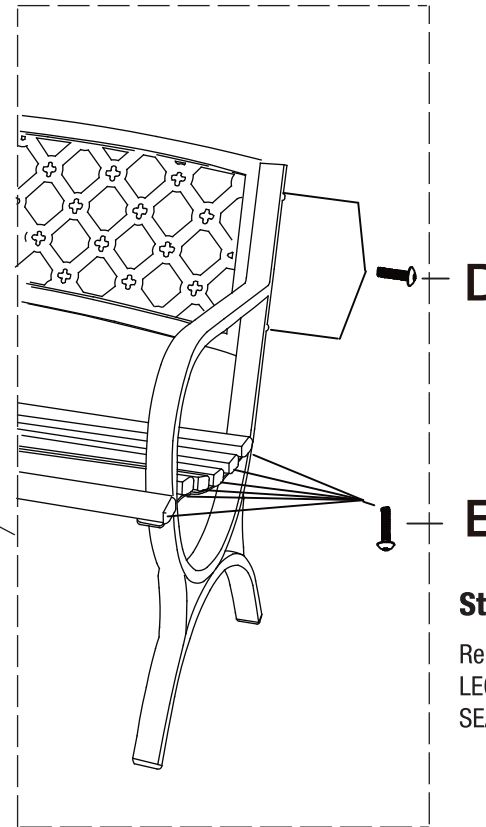


www.ablestore.com



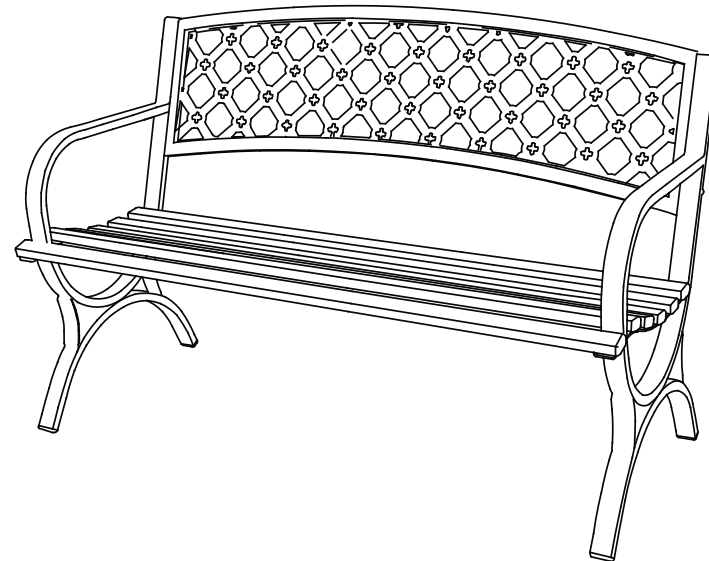
Step 1

Please note that the leg with a sticker marked with A. Attached BACK (C) and SEAT (B) to LEG (A) by using BOLTS as shown in diagram.



Step 2

Repeat the previous assembly on LEG. Do not tighten all bolts until SEAT and BACK are in place.



Step 3

Your bench is now completely assembled and ready for use.