

Glacier Bay Constructor 4 in. 2-Handle Low-Arc Bathroom Faucet

MODEL	STORE SKU#	FINISH
F5121054CP	217 251	Chrome

FEATURES

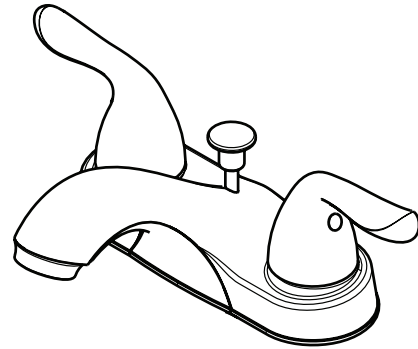
- Requires 3-Hole Sink with 4" On-Center
- 1/2" IPS Connections
- Max Flow Rate: 1.2 gpm (4.5 L/min) at 60 psi
- Max Countertop Thickness: 1 1/4"
- Spout Reach: 4 1/4"
- Spout Height: 1 11/16"
- 1/4 Turn Washerless Valve for Lifetime Drip-free Operation
- With ABS Pop-up
- With Zinc Lever Handle
- Water Saving Aerator

CODE COMPLIANCE

- IAPMO Certified: ASME A112.18.1M/A112.18.1
- NSF/ANSI 61 Section 9
- NSF/ANSI 372
- Calgreen Certified
- EPA WaterSense Certified
- Meets AB 1953 Lead Standard
- ADA Compliant

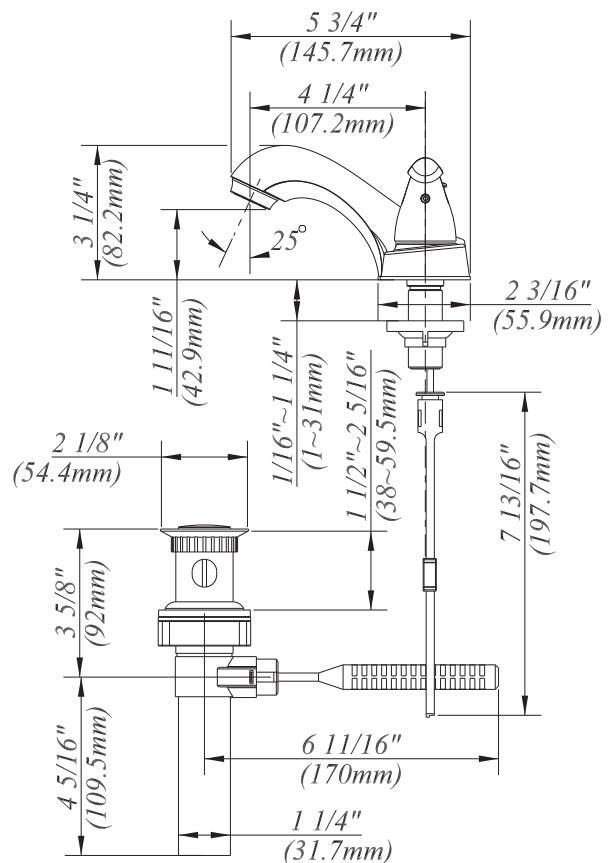
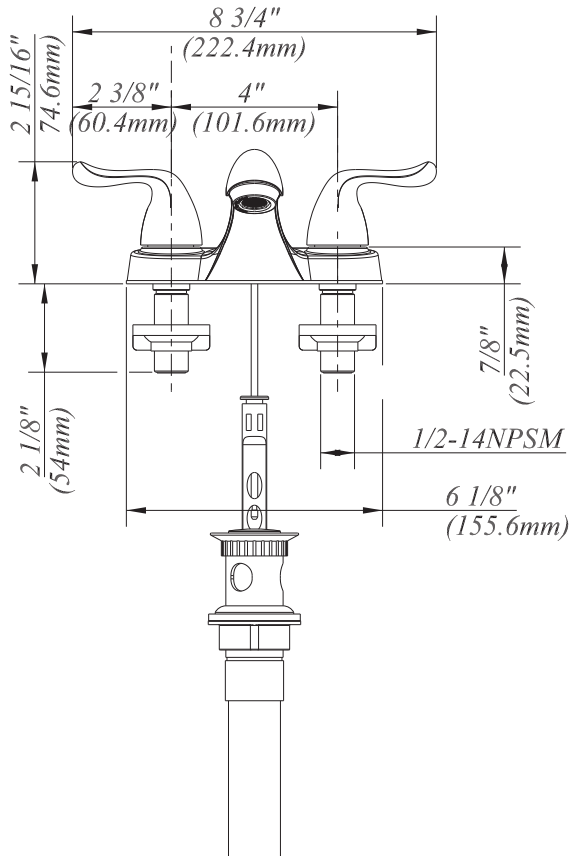


NSF/ANSI 372
NSF/ANSI 61-9



WARRANTY

- Limited Lifetime Warranty



INSTALLATION DIMENSIONS