

Bremen



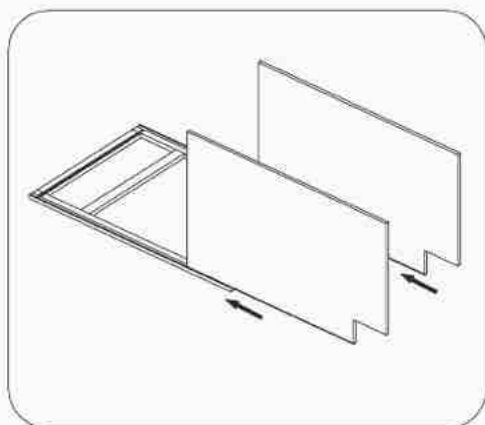
Cabinet Installation Illustration



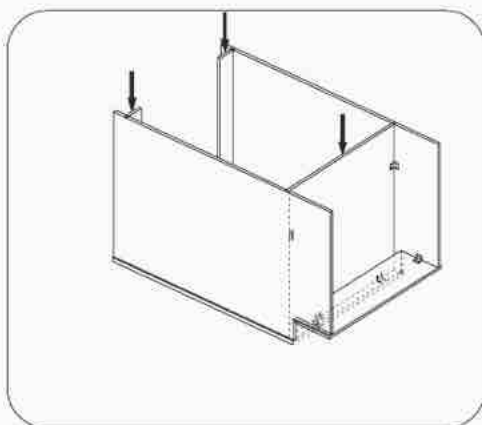
Base Cabinet

B09,B12,B15,B18,B21,B24,B30,B36,BBC36-42

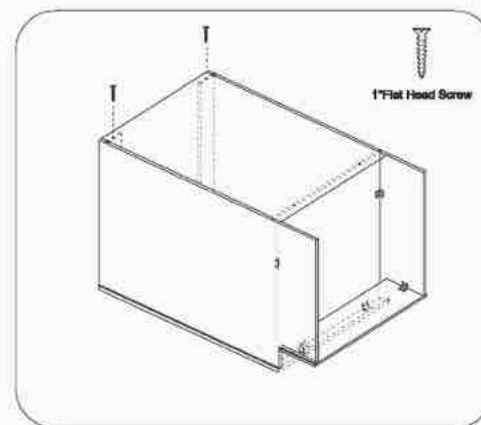
SB30,SB33,SB36,V2421,V2721,V3021,V3621 (Without Drawer Box)



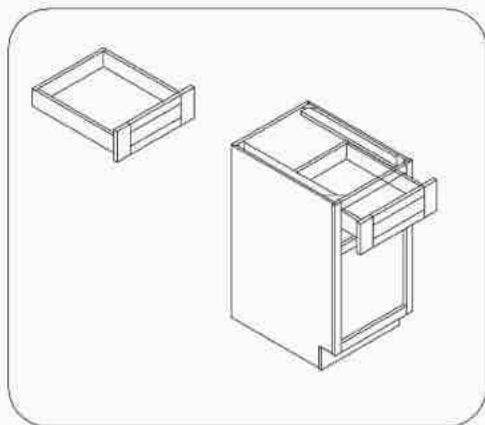
① Insert the side panel from end of face frame



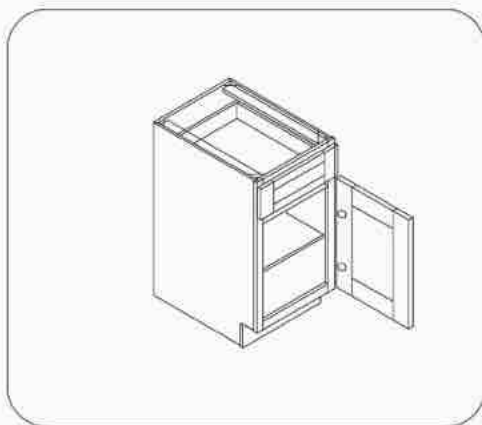
② Attach bottom panel with face frame and side panel



③ Attach back panel then screw up



④ Fix drawer box on the drawer front and adjust the cover-space

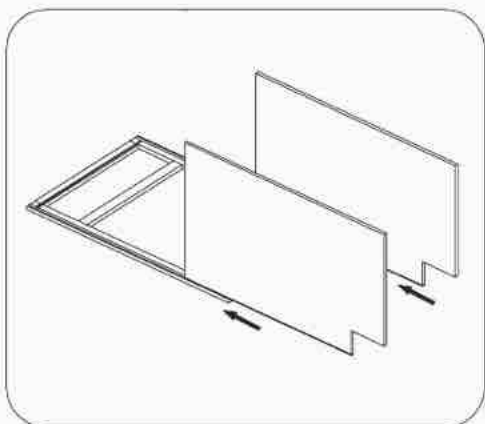


⑤ Fix door onto the frame and adjust the cover-space, put on adjustable shelf

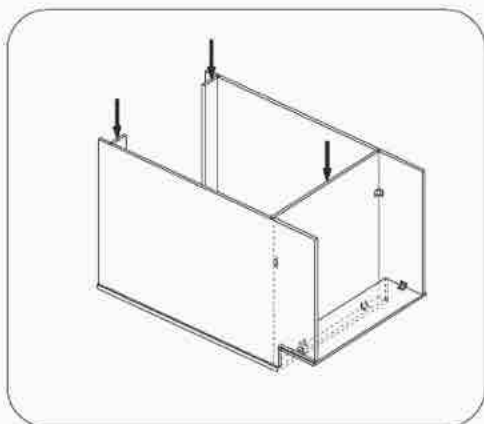
QTY	HARDWARE	
2 or 4	1 ¼"Soft Close Hinge	
2 or 4	3/4"Round Head Screw	
4 or 8	5/8"Flat Head Screw	
6 or 8	Bumper	
8	Cleat	
40	1/2"Flat Head Screw	
4	1"Flat Head Screw	
4	Shelf Clip	
4	Plastic Triangle	
1	Slider	

Base Cabinet

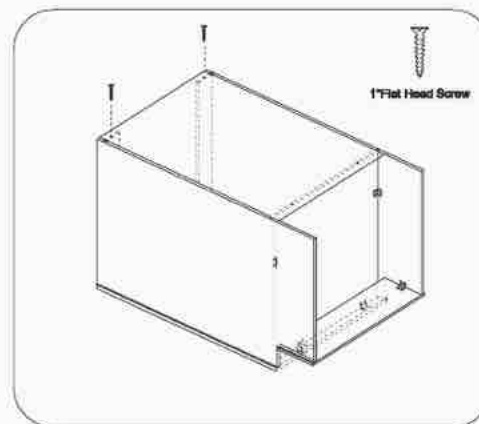
DB12-3, DB15-3, DB18-3, DB21-3, DB24-3, DB30-3, DB36-3
 VDB12-3, VDB15-3, VDB18-3, VDB21-3, VDB24-3



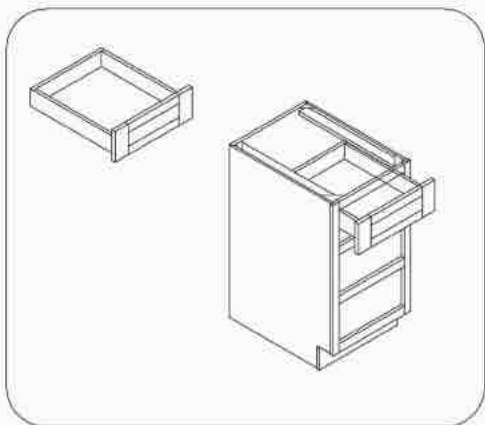
① Insert the side panel from end of face frame



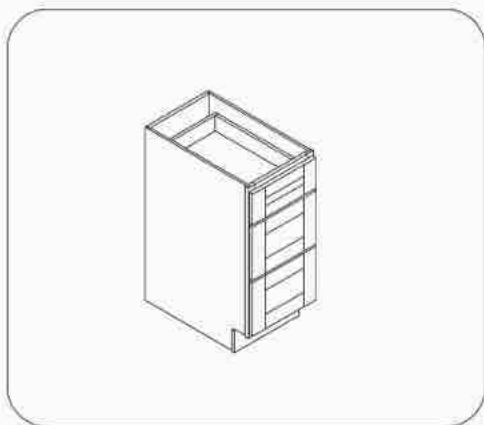
② Attach bottom panel with face frame and side panel



③ Attach back panel then screw up



④ Fix drawer box on the drawer front and adjust the cover-space

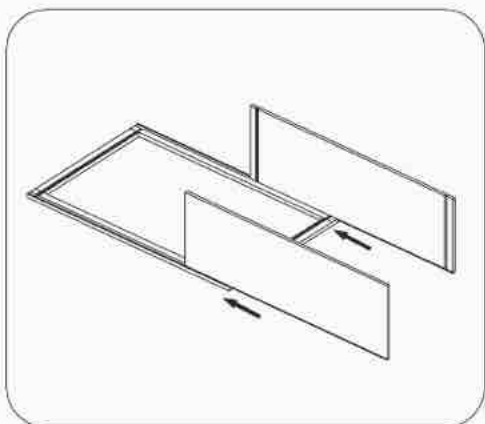


QTY	HARDWARE	
12	Bumper	
8	Cleat	
40	1/2" Flat Head Screw	
4	1" Flat Head Screw	
4	Plastic Triangle	
3	Slider	

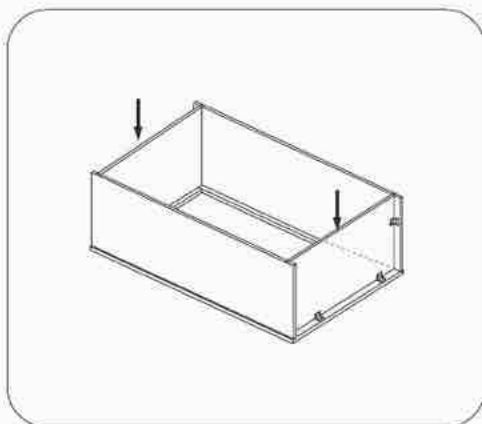
Wall Cabinet

W3612,W3615,W3618,W3621
W3624,W361224,W361524,
W361824,W362424

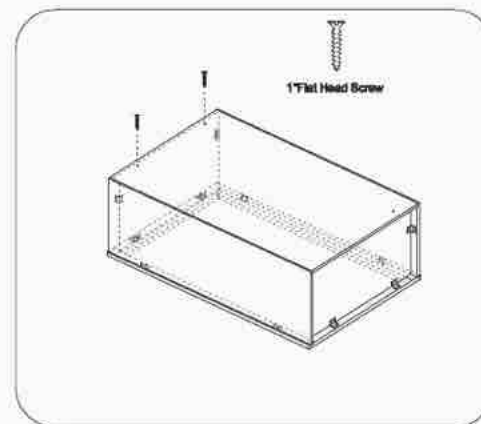
W3630,W3636,W3642
W3630GD,W3636GD,W3642GD



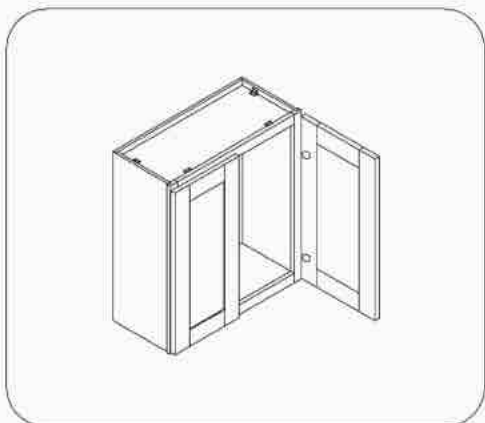
① Insert the side panel from end of face frame



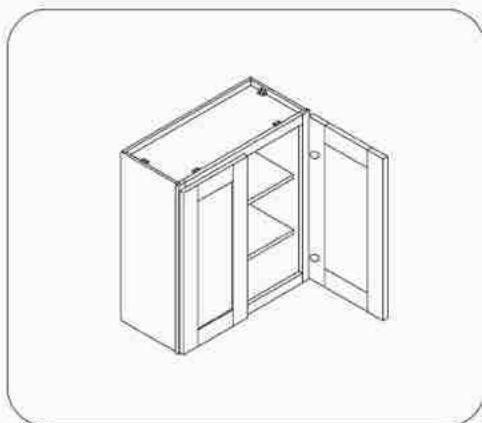
② Attach top and bottom panel with face frame and side panel



③ Attach back panel then screw up



④ Fix doors onto the frame and adjust the cover-space

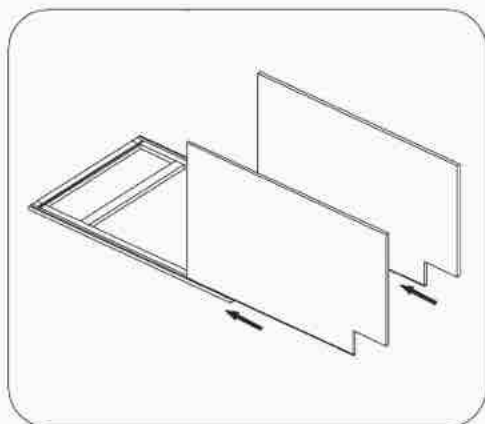


⑤ Put on the adjustable shelves

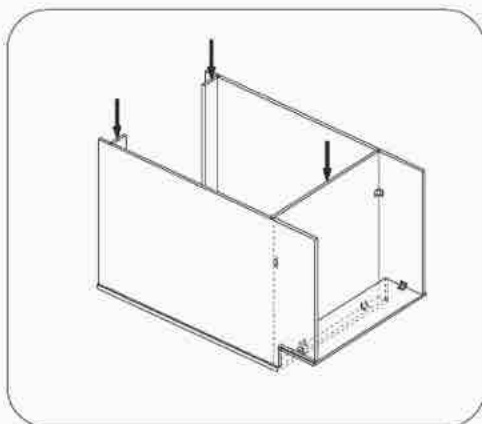
QTY	HARDWARE	
4 or 6	1 1/4"Soft Close Hinge	
4 or 6	3/4"Round Head Screw	
8 or 12	5/8"Flat Head Screw	
4	Bumper	
14	Cleat	
56	1/2"Flat Head Screw	
4	1"Flat Head Screw	
8 or 12	Shelf Clip	
6 Hinge For 36" And 42" High Wall Cabinet		
12 Shelf Clips For 42" High Wall Cabinet		

Base Cabinet

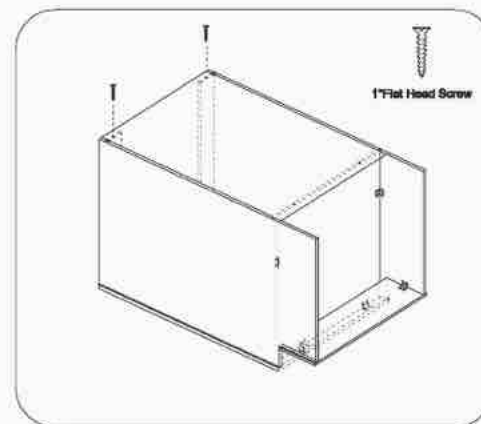
VSD3021L, VSD3021R, VSD3621L, VSD3621R



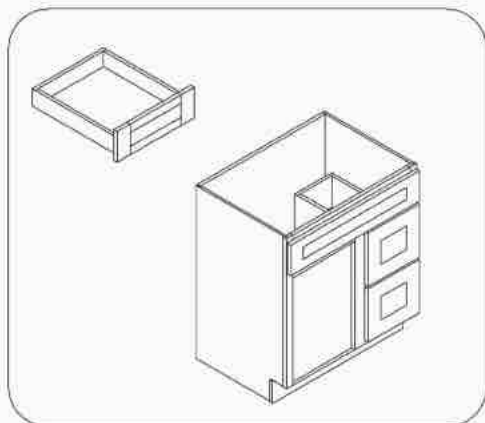
① Insert the side panel from end of face frame



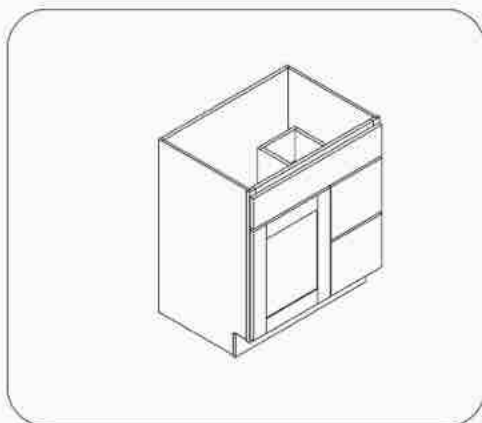
② Attach bottom panel with face frame and side panel



③ Attach back panel then screw up



④ Fix drawer box on the drawer front and adjust the cover-space

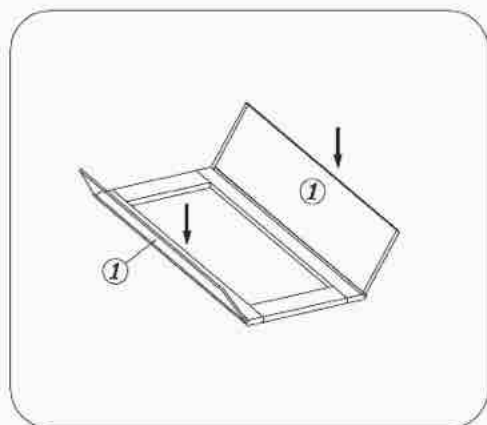


⑤ Fix door onto the frame and adjust the cover-space

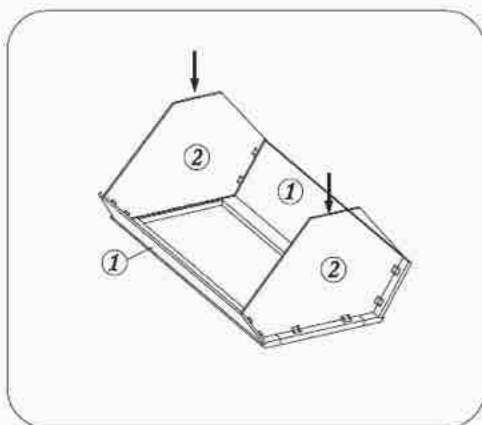
QTY	HARDWARE	
12	Bumper	
8	Cleat	
40	1/2" Flat Head Screw	
4	1" Flat Head Screw	
4	Plastic Triangle	
2	Slider	

Wall Cabinet

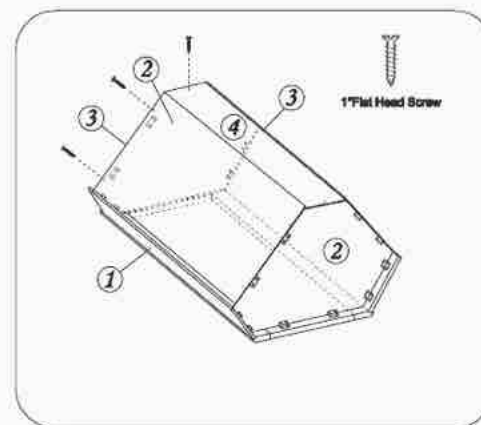
WDC2430,WDC2436,WDC2442,
DCW2430GD,DCW2436GD,DCW2442GD



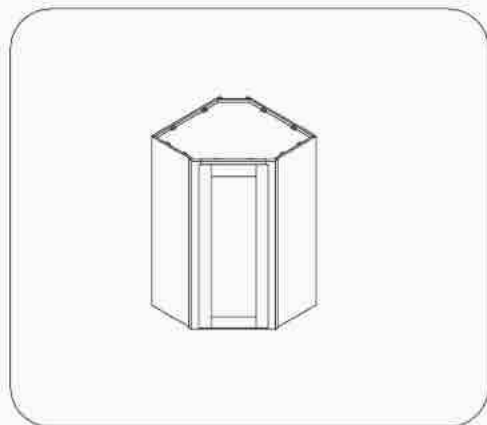
① Insert the side panel from end of face frame



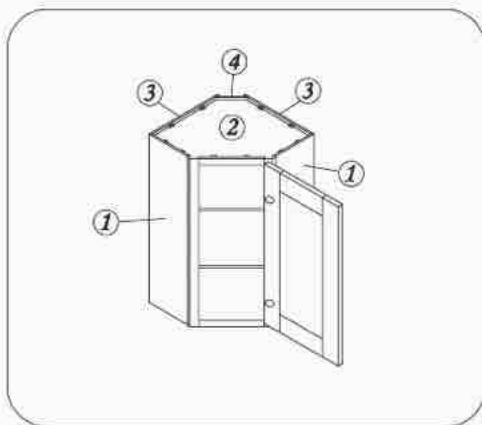
② Attach top and bottom panel with face frame and side panel



③ Attach back panel then screw up



④ Fix door onto the frame and adjust the cover-space



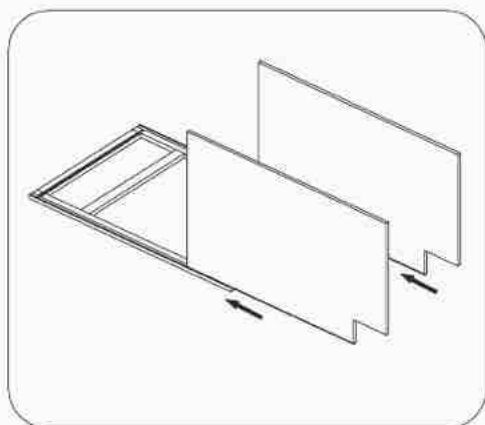
⑤ Put on the adjustable shelves

QTY	HARDWARE	
2 or 3	3/8"Soft Close Hinge	
2 or 3	3/4"Round Head Screw	
4 or 6	5/8"Flat Head Screw	
2	Bumper	
22	Cleat	
88	1/2"Flat Head Screw	
4	1"Flat Head Screw	
8 or 12	Shelf Clip	
3 Hinge For 36" And 42" High Wall Cabinet		
12 Shelf Clips For 42" High Wall Cabinet		

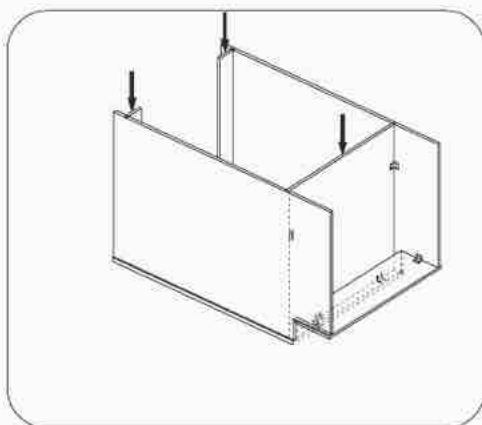
Base Cabinet

B09,B12,B15,B18,B21,B24,B30,B36,BBC36-42

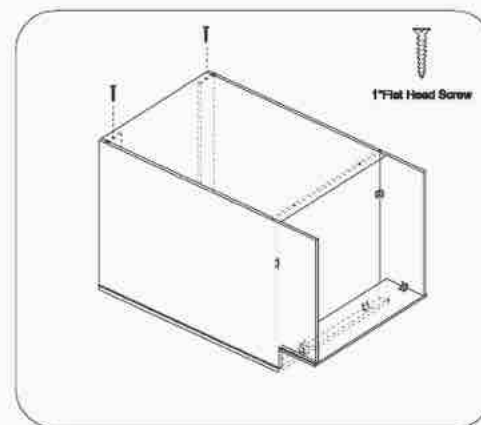
SB30,SB33,SB36,V2421,V2721,V3021,V3621 (Without Drawer Box)



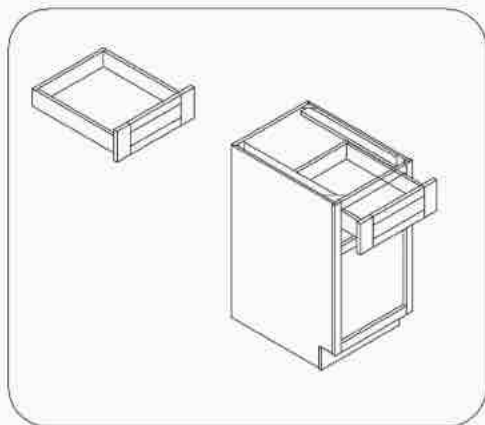
① Insert the side panel from end of face frame



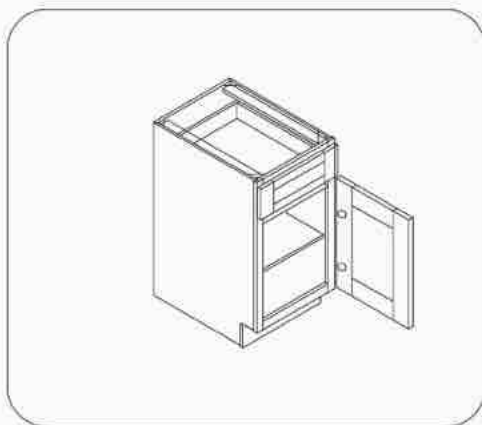
② Attach bottom panel with face frame and side panel



③ Attach back panel then screw up



④ Fix drawer box on the drawer front and adjust the cover-space



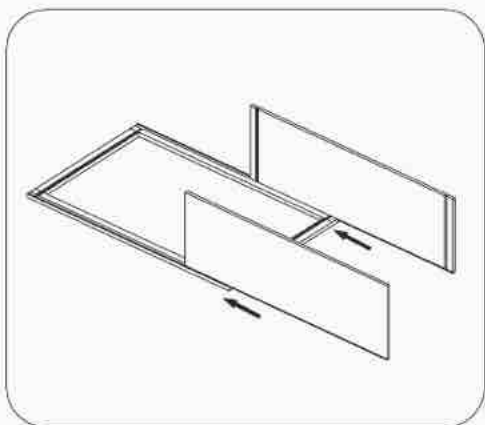
⑤ Fix door onto the frame and adjust the cover-space, put on adjustable shelf

QTY	HARDWARE	
2 or 4	1 ¼"Soft Close Hinge	
2 or 4	3/4"Round Head Screw	
4 or 8	5/8"Flat Head Screw	
6 or 8	Bumper	
8	Cleat	
40	1/2"Flat Head Screw	
4	1"Flat Head Screw	
4	Shelf Clip	
4	Plastic Triangle	
1	Slider	

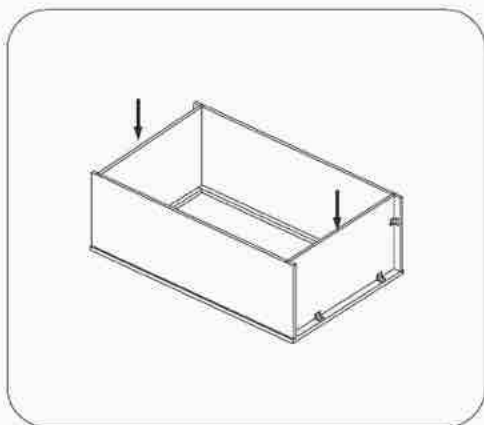
Wall Cabinet

W0930,W1230,W1530,W1830,W2130
W0936,W1236,W1536,W1836,W2136
W0942,W1242,W1542,W1842,W2142

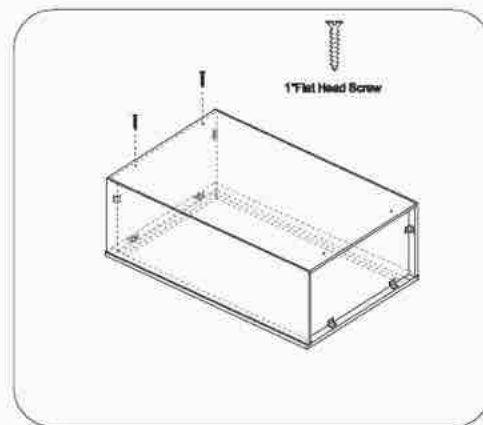
WBC2730,WBC2736,WBC2742
W1830GD,W2130GD,W1836GD
W2136GD,W1842GD,W2143GD



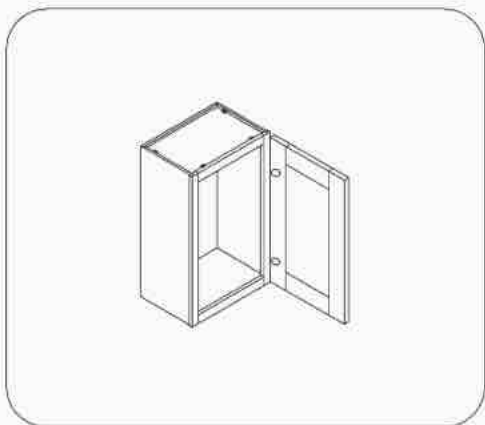
① Insert the side panel from end of face frame



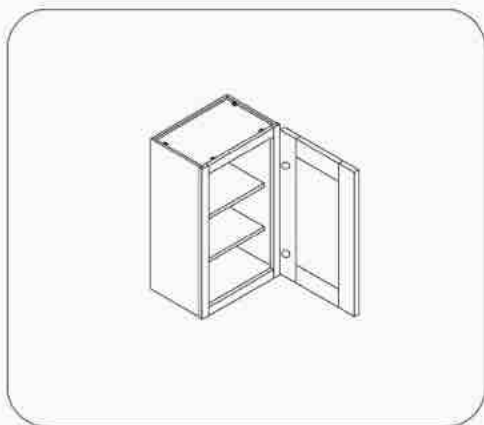
② Attach top and bottom panel with face frame and side panel



③ Attach back panel then screw up



④ Fix door onto the frame and adjust the cover-space



⑤ Put on the adjustable shelves

QTY	HARDWARE	
2 or 3	1 1/4"Soft Close Hinge	
2 or 3	3/4"Round Head Screw	
4 or 6	5/8"Flat Head Screw	
2	Bumper	
10	Cleat	
40	1/2"Flat Head Screw	
4	1"Flat Head Screw	
8 or 12	Shelf Clip	
3 Hinge For 36" And 42" High Wall Cabinet		
12 Shelf Clips For 42" High Wall Cabinet		

Lazy Susan For LSB33 and LSB36



① Insert a locating dowel at the base of Lazy Susan.



② Fix shelf onto lazy susan by screws.


LSBTRAY



② Locate the shelf and Lazy Susan by locating dowel.



① Installation completed after driving all 4 screws.

QTY	HARDWARE
4	30mm Black Screw 

33" and 36" Base Lasy Susan Cabinet

LSB33, LSB36



1 Insert side panel from end of face frame.



2 Insert locating dowel, and fix with screws.



3 Assemble top panel, fix with cleats.



4 Assemble bottom panel, fix with cleats.



5 Insert 2 big back panel, joint back panel with side panel via screws.



6 Insert small back panel through the groove then screw up.



7 Fix door onto the frame and adjust the cover-space.

QTY	HARDWARE	
2	165° Hinge	
4	Bumper	
24	Cleat	
96	1/2" Flat Head Screw	
14	1" Flat Head Screw	
8	Shelf Clip	
2	Wood dowel	
4	Ø5 Euro Screw	

If you have any questions, or you need installation accessories, please call us 678-390-2961