

Specifications

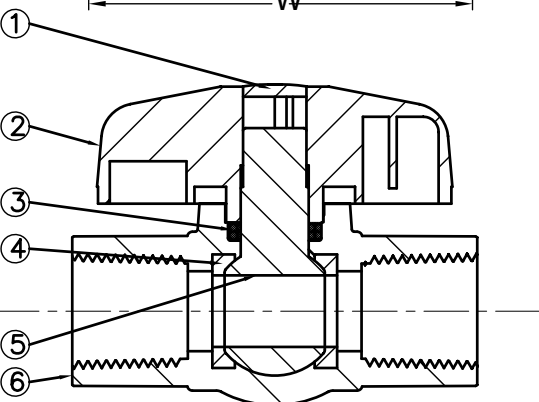
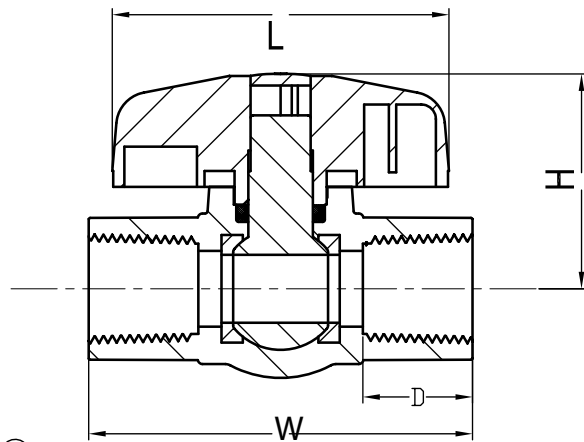


Certifications



Physical Characteristics

- Description: PVC Schedule 40 Ball Valve
- Connection Type: Female Thread x Female Thread
- EPDM seats, seals and O-rings
- Fits Schedule 40 & 80 pipe
- Handle Color: Yellow
- \Max. Temp. Rating: 73° F
- Max. Pressure Rating: 150 PSI
- Meets ANSI/NSF standard 14 for plastic piping system components



PART NO.	SIZE	H	L	W	D
VBV-P40-B3	1/2"	1.75"	2.74"	3.15"	0.64"
VBV-P40-B4	3/4"	2.11"	3.00"	3.60"	0.65"
VBV-P40-B5	1"	2.33"	3.53"	4.18"	0.81"
VBV-P40-B6	1-1/4"	2.55"	3.53"	4.76"	0.85"
VBV-P40-B7	1-1/2"	4.40"	2.85"	5.12"	0.85"
VBV-P40-B8	2"	5.50"	3.49"	5.93"	0.90"
VBV-P40-B9	2-1/2"	7.60"	8.11"	4.69"	1.75"
VBV-P40-B10	3"	9.13"	9.06"	5.75"	1.87"
VBV-P40-B11	4"	10.79"	10.63"	7.05"	2.25"

PA or B suffix denotes different packaging or trademark for specific private labeling

NO.	DESCRIPTION	MATERIAL
1	Cap	ABS
2	Handle	ABS yellow
3	O-ring	EPDM
4	Seat (2)	TPE
5	Ball	PC & ABS
6	Body	Polymer

*Image may vary slightly from actual product