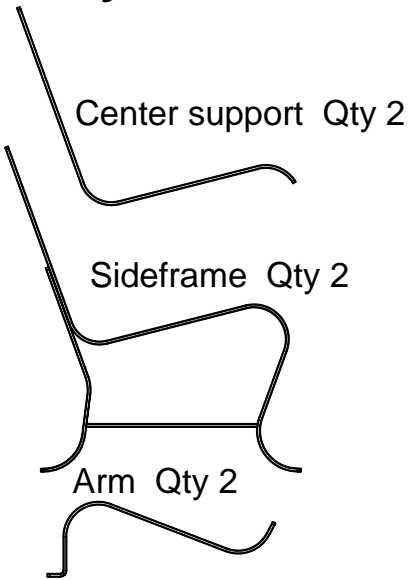


Assembly Instructions
Model: IVB60

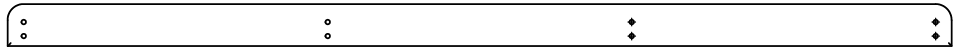


1

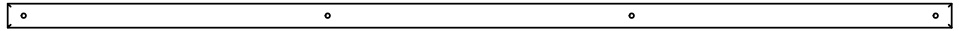
Layout Parts



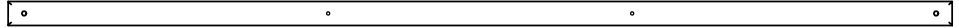
Head Slat Qty 1



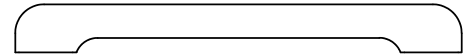
Slat Qty 13



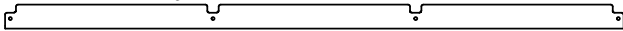
Front Slat Qty 1



Foot Qty 2



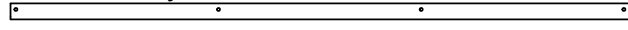
Brace3 Qty1



Brace2 Qty1

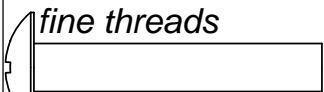
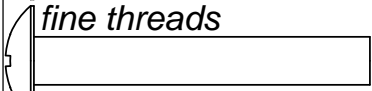
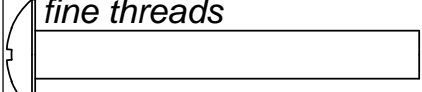
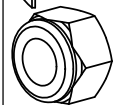
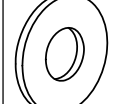
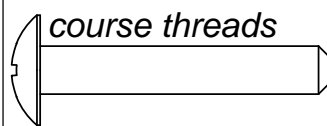
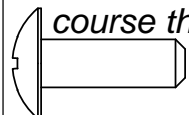


Brace1 Qty1



2

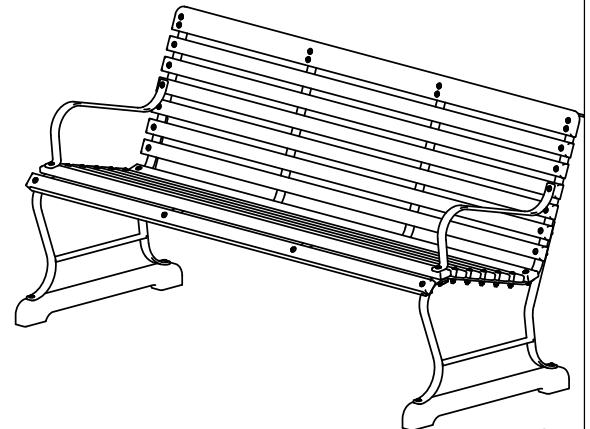
Layout Hardware

-  1/4-20 x 1 1/2" Truss bolt Qty 26
-  1/4-20 x 1 3/4" Truss bolt Qty 10
-  1/4-20 x 2" Truss bolt Qty 2
-  1/4-20 Lock Nut Qty 38
-  1/4" Washer Qty 38
-  14 x 1 1/2" Screw Qty 4
-  14 x 3/4" Screw Qty 26

3

Tools Needed

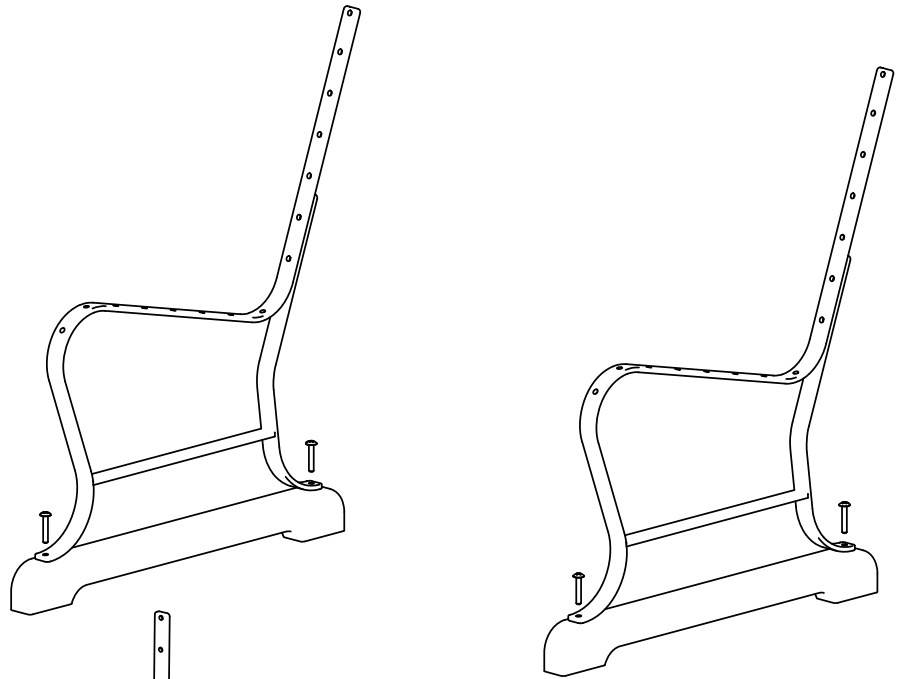
- 7/16 Socket drive
- Phillips Head Screwdriver
- (Screw gun recommended)



Assembly

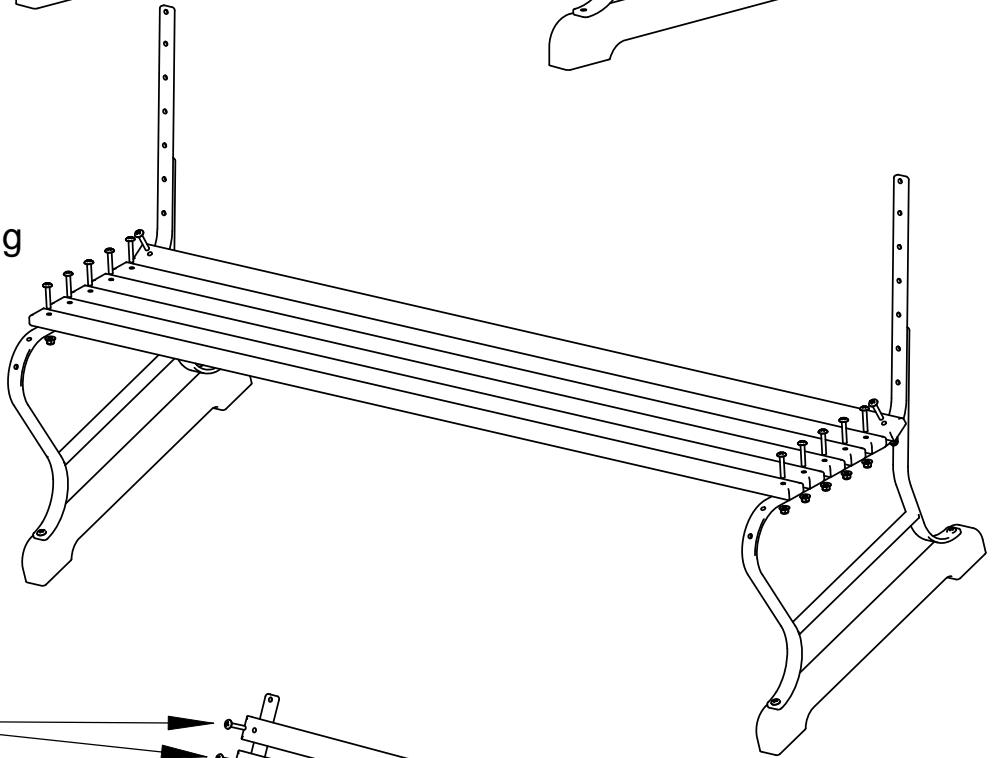
1

Attach sideframes to feet using (4) 14x1 1/2" Screws



2

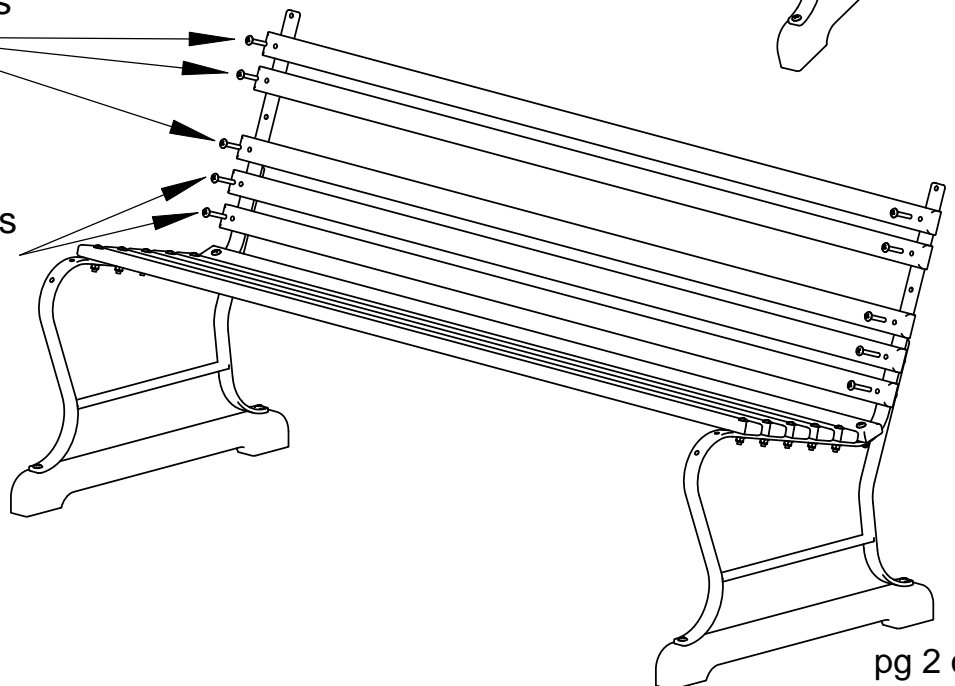
Attach slats to sideframes using (12) 1/4-20x1 1/2" Truss Bolts (12) Nuts and washers



3

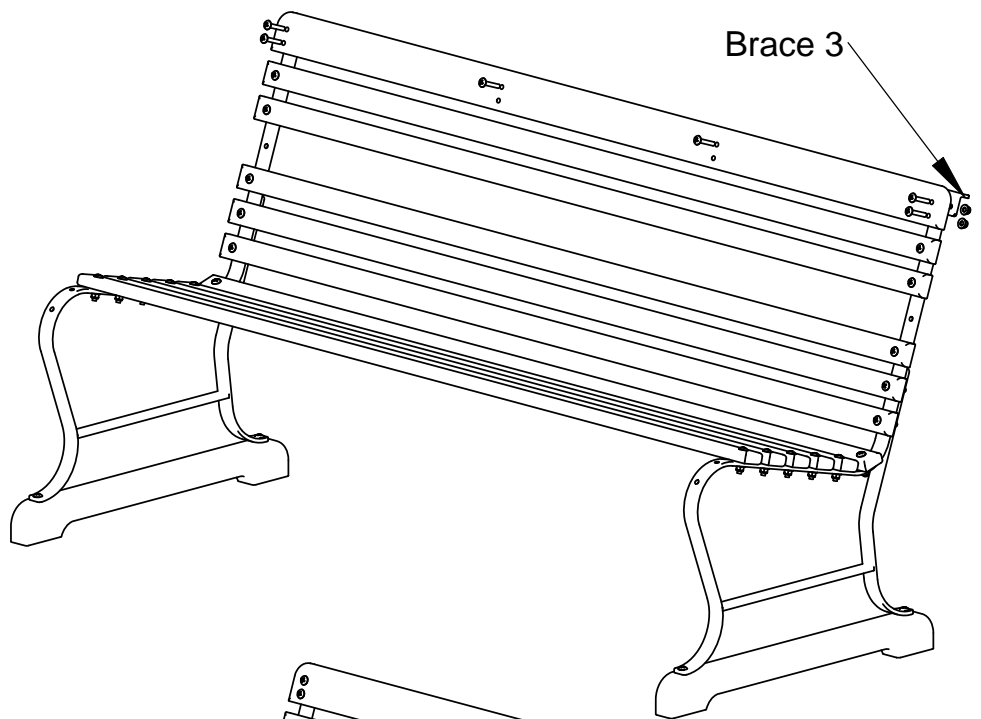
Attach these slats with (6) 1/4-20x1 1/2" Truss Bolts (6) Nuts and washers

Attach these slats with (4) 1/4-20x1 3/4" Truss Bolts (4) Nuts and washers



4

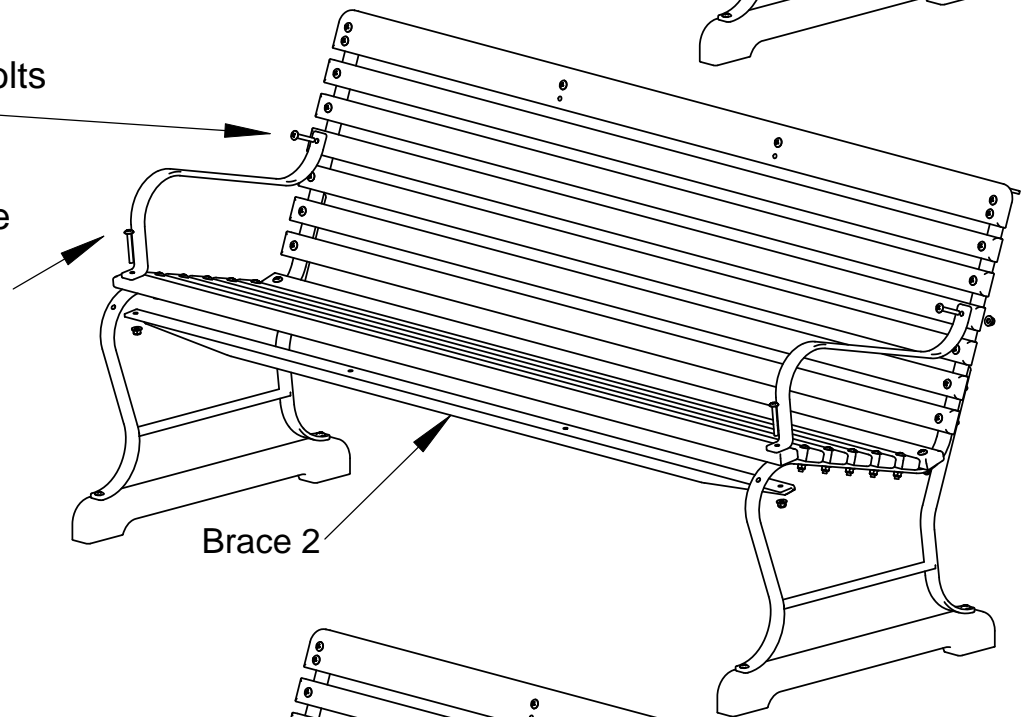
Attach Head slat to sideframes and brace using
(6) 1/4-20x1 1/2" Truss bolts
(6) Nuts and washers



5

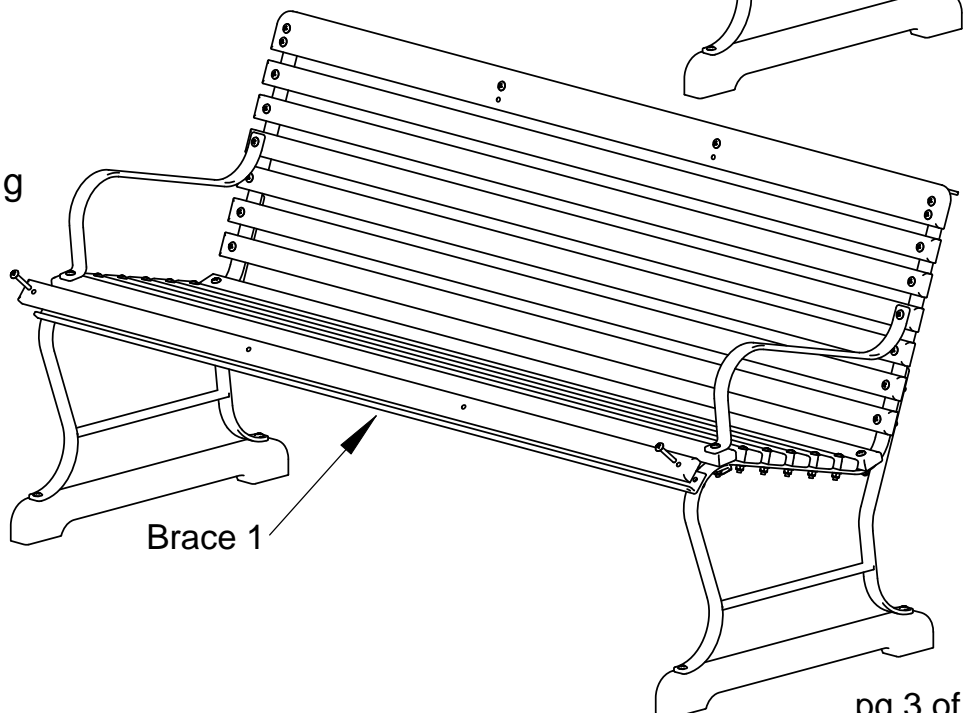
Attach Arm and Slat with
(2) 1/4-20x1 3/4" Truss bolts
(2) Nuts and washers

Attach Arm, Slat and Brace
(2) 1/4-20x2" Truss bolts
(2) Nuts and washers



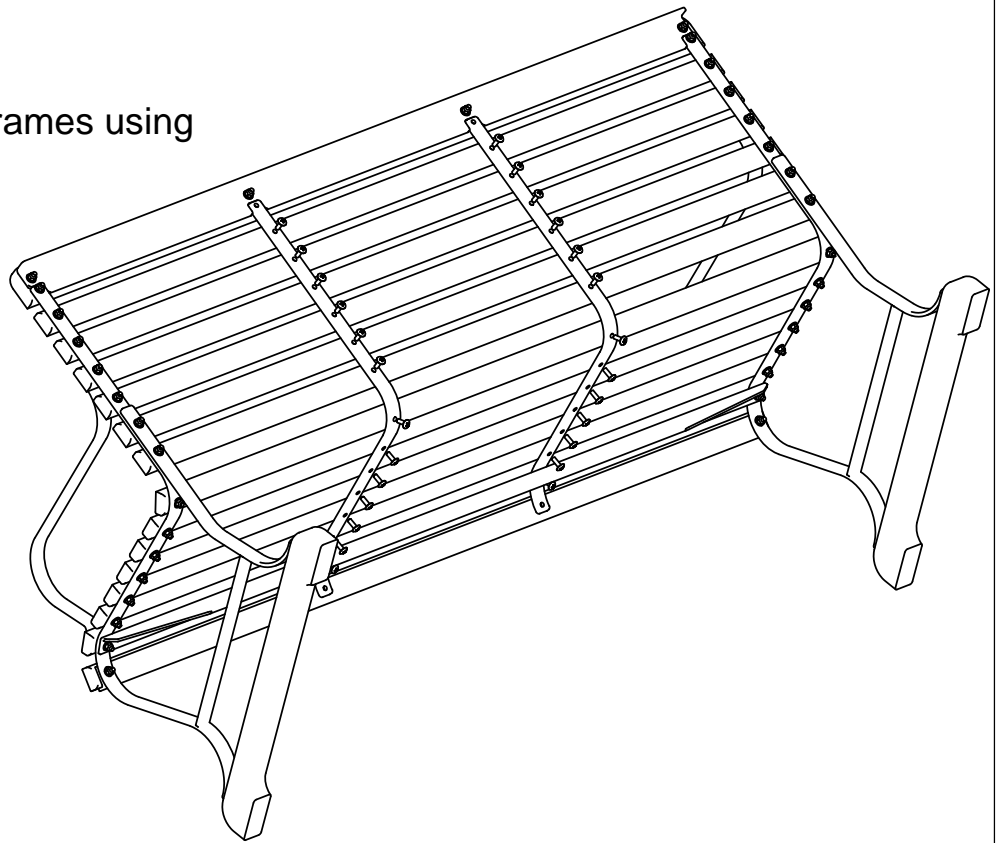
6

Attach Front slat to sideframes and brace using
(2) 1/4-20x1 3/4" Truss bolts
(2) Nuts and washers



7

Attach Center support to Sideframes using
(26) 14 x 3/4" Screws



8

Attach Head slat to Center support using
(2) 1/4-20x1 1/2" Truss bolts
(2) Nut and washer

Attach Front slat to Center support using
(2) 1/4-20x1 3/4" Truss bolts
(2) Nuts and washers

