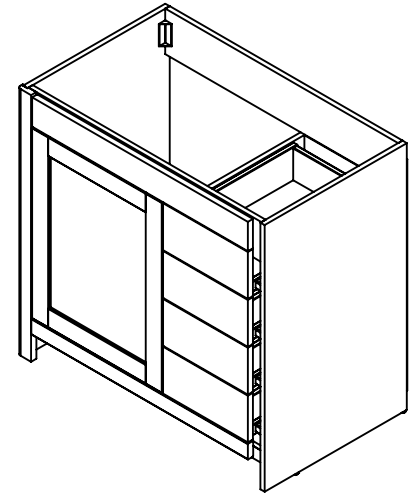
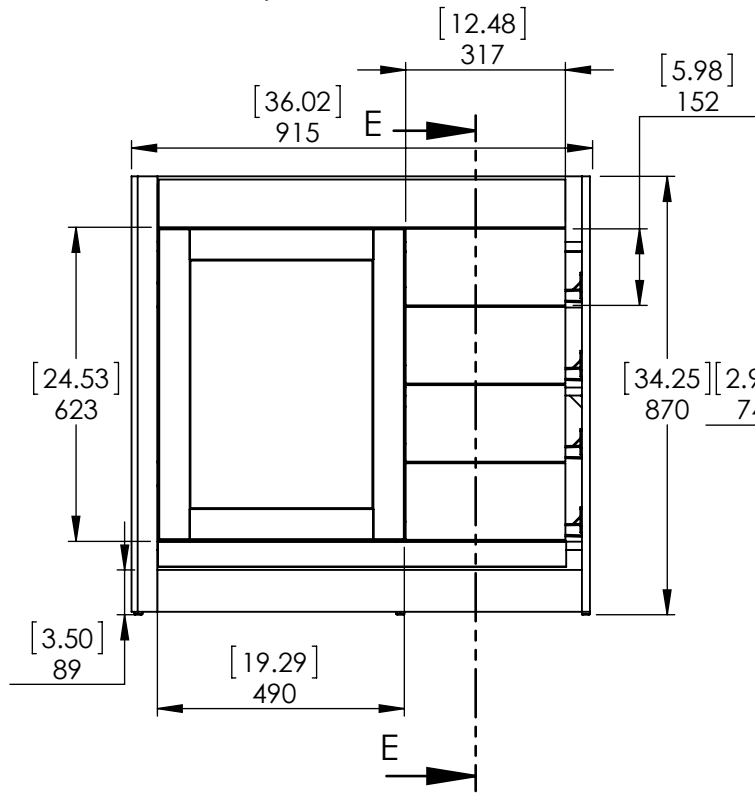


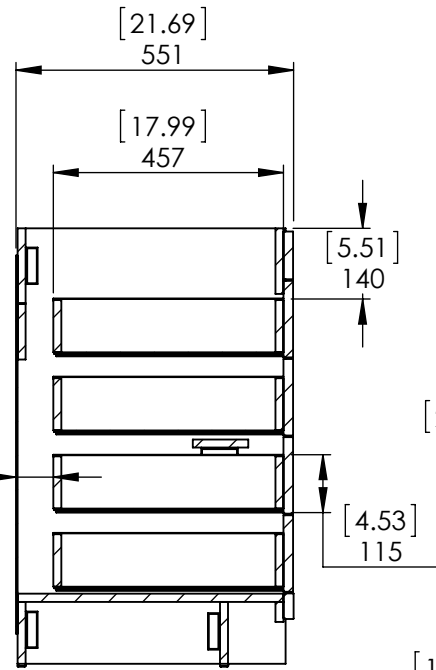
Top view



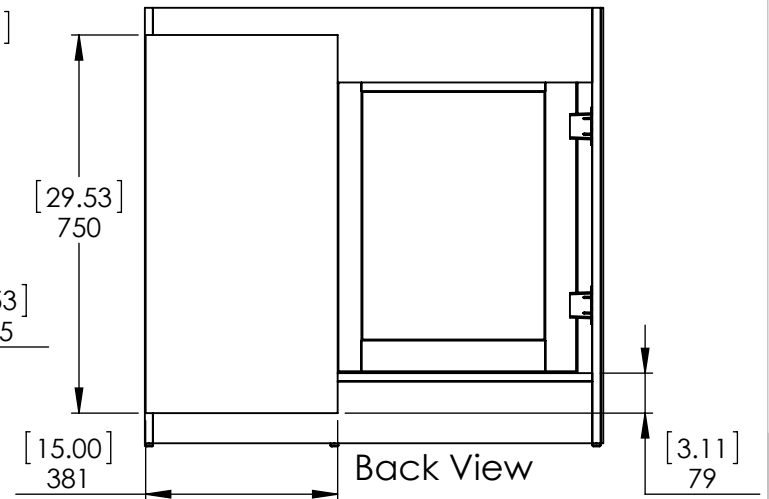
Isometric View



Frontal View



SECTION E-E
Scale 1 : 15



Back View

ITEM:	WT36-ST WT36-WH WT36-CH WT36-CR	REV	A
-------	--	-----	----------

NAME: **Westcourt 36in Vanity - Sterling / White/ Chocolate / Crema**

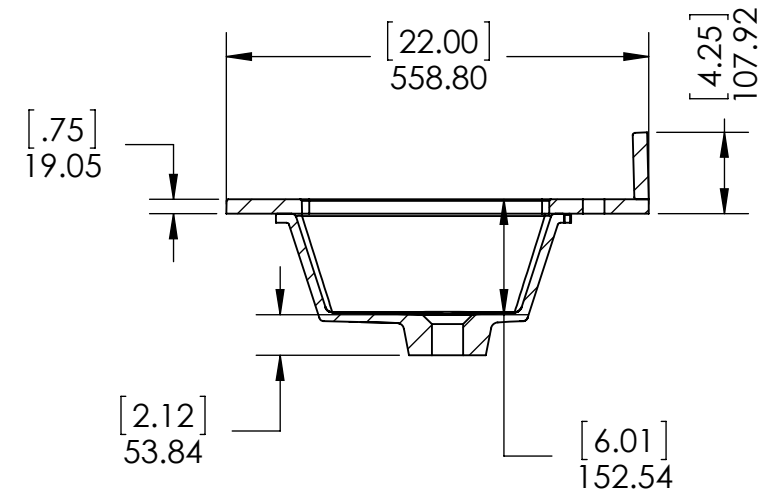
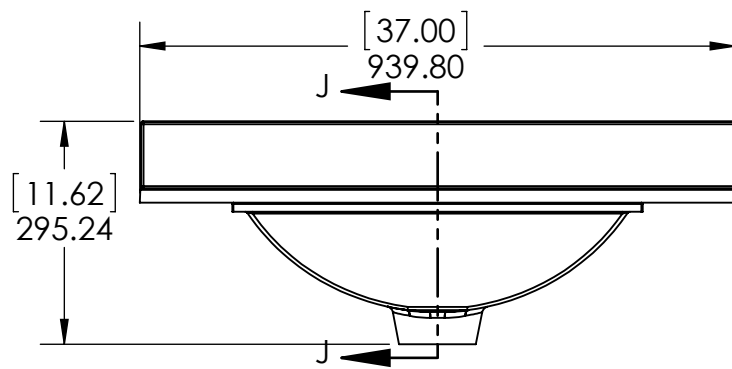
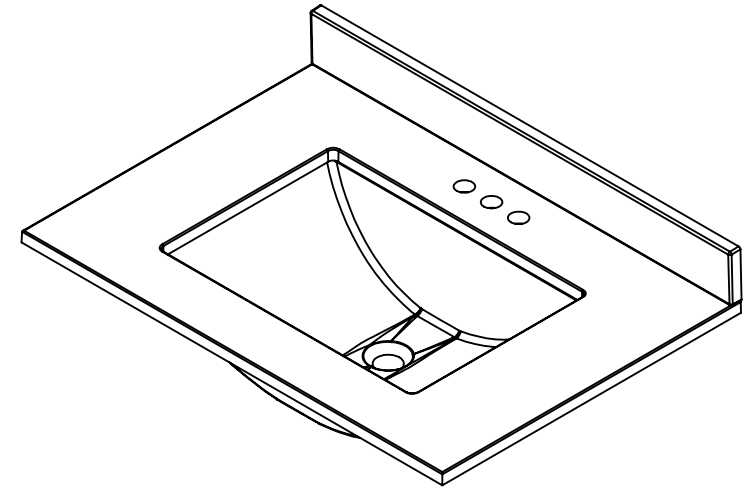
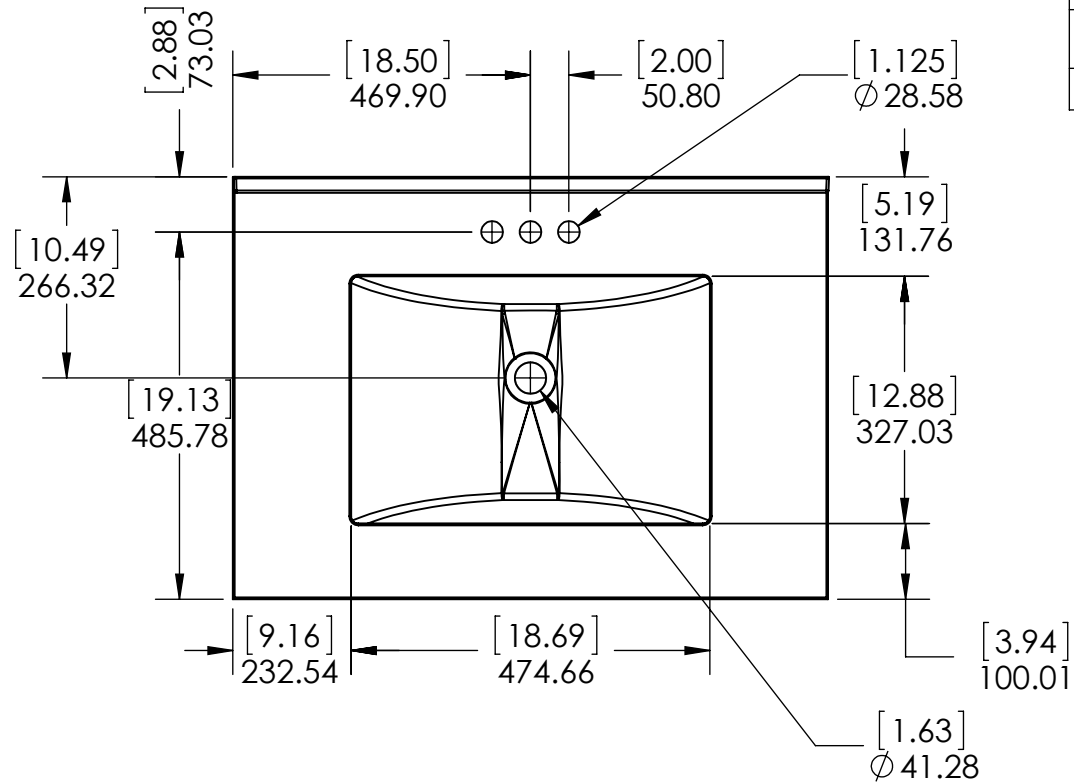
MATERIAL: **German Beech 4/4 Laminated Particle Board**

Westcourt 36in



Propiedad y Confidencialidad	DRW:	JCNV	03/28/18
La información contenida en este dibujo es puramente propiedad de Woodcrafters Home Products LLC. Queda prohibida cualquier reproducción parcial o total sin el permiso por escrito de Woodcrafters Home Product LLC.	REV:	ING	03/28/18
	APP:	R&D	03/28/18
	SCALE:	1:20	MODEL:

Rev #	Approved by	Change
0	R. Rubio	Released
1	O. Razo	New model added



PROPRIETARY AND CONFIDENTIAL
 THE INFORMATION CONTAINED IN THIS DRAWING IS THE SOLE PROPERTY OF WOODCRAFTERS. ANY REPRODUCTION IN PART OR AS A WHOLE WITHOUT THE WRITTEN PERMISSION OF WOODCRAFTERS IS PROHIBITED.

UNLESS OTHERWISE SPECIFIED
 DIMENSIONS ARE IN MM. AND (INCHES)
 TOLERANCES ARE
 +0.125 [3.175] -0.125 [-3.175]
 SCALE:1:10

	NAME	DATE
DRAWN	R. Rubio	08/22/16
CHECKED	R. Rubio	08/22/16
ENG APPR.	R. Rubio	08/22/16
MFG APPR.	C. Leal	08/22/16

Wood Crafters
 Vtop Stone Effect, Rect 37x22
 SHEET 1 OF 2
 REV: 1

ID	Description	Technology	Status
SER37-CO	37 in. Stone Effects Vanity Top in Cold Fusion with White Basin	Stone Effect	Approved for production
SER37-DN	37 in. Stone Effects Vanity Top in Dune with White Basin	Stone Effect	Approved for production
SER37-MI	37 in. Stone Effects Vanity Top in Mayan Ivory with White Basin	Stone Effect	Approved for production
SER37-RU	37 in. Stone Effects Vanity Top in Rustic Gold with White Basin	Stone Effect	Approved for production
SER37-WM	37 in. Stone Effects Vanity Top in Winter Mist with White Basin	Stone Effect	Approved for production
SE37R-PR	37 in. Stone Effects Vanity Top in Pulsar White Basin	Stone Effect	Approved for production

Rev #	Approved by	Change
0	R. Rubio	Released
1	O. Razo	New model added

PROPRIETARY AND CONFIDENTIAL
 THE INFORMATION CONTAINED IN THIS DRAWING IS THE SOLE PROPERTY OF WOODCRAFTERS. ANY REPRODUCTION IN PART OR AS A WHOLE WITHOUT THE WRITTEN PERMISSION OF WOODCRAFTERS IS PROHIBITED.

UNLESS OTHERWISE SPECIFIED
 DIMENSIONS ARE IN MM. AND [INCHES]
 TOLERANCES ARE
 + 0.125 [3.175] - 0.125 [-3.175]
 SCALE:1:10

	NAME	DATE
DRAWN	R. Rubio	08/22/16
CHECKED	R. Rubio	08/22/16
ENG APPR.	R. Rubio	08/22/16
MFG APPR.	C. Leal	08/22/16

		SIZE	DWG. NO.	SHEET 2 OF 2
		A	Vtop Stone Effect, Rect 37x22	REV: 1