


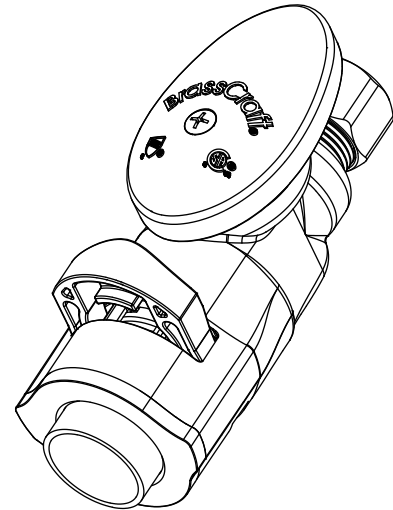
Job Name		Engineer / Architect	
Job Location		Wholesaler	
Submittal Date		Contractor	

## G2A14 Sure2Connect™ 1/4 Turn Straight Stop - Push Connect x Compression with Verification Technology

**Use:** For use in potable water distribution systems. Not intended for recirculating systems that produce continuous use temperatures above 115° F. For those applications, use our KT™ series ball stop

**Design Features:**

- **Compatible with PEX, copper, and CPVC**
- **Multiple sealing technology.** Rubber seals provide chemical resistance
- **Pre-installed tube stiffener** “installation ready” for a faster connection
- **Verification clip** “clicks” into place to provide an audible confirmation of proper installation
- **Rotational resistance** provides ease of valve operation
- **One-piece shut-off mechanism** provides smooth on-off operation without freeze ups even after long periods of non-use
- **Positive 1/4 turn shut-off**
- **Easy-to-remove handle** protects against accidental operation during rough-ins
- **100% Leak tested**
-  **No Lead**



**Operating Specifications:**

**Temperature:** 40° - 140° F  
**Pressure:** 125 PSI maximum

MATERIAL SPECIFICATIONS	
<b>Body</b>	Glass-filled nylon & brass
<b>Stem Barrel</b>	Santoprene
<b>Stem Shaft</b>	Glass-filled polypropylene
<b>Stem O-ring</b>	Rubber
<b>Gripper Ring</b>	Stainless steel
<b>Push Connect Seals</b>	Rubber
<b>Tube Stiffener</b>	POM
<b>Verification Clip</b>	Glass-filled nylon
<b>Removal Flange</b>	Glass-filled polypropylene
<b>Handle</b>	Chrome-plated ABS
<b>Screw</b>	Steel, zinc plated
<b>Compression Nut</b>	Brass, chrome plated
<b>Compression Sleeve</b>	Brass

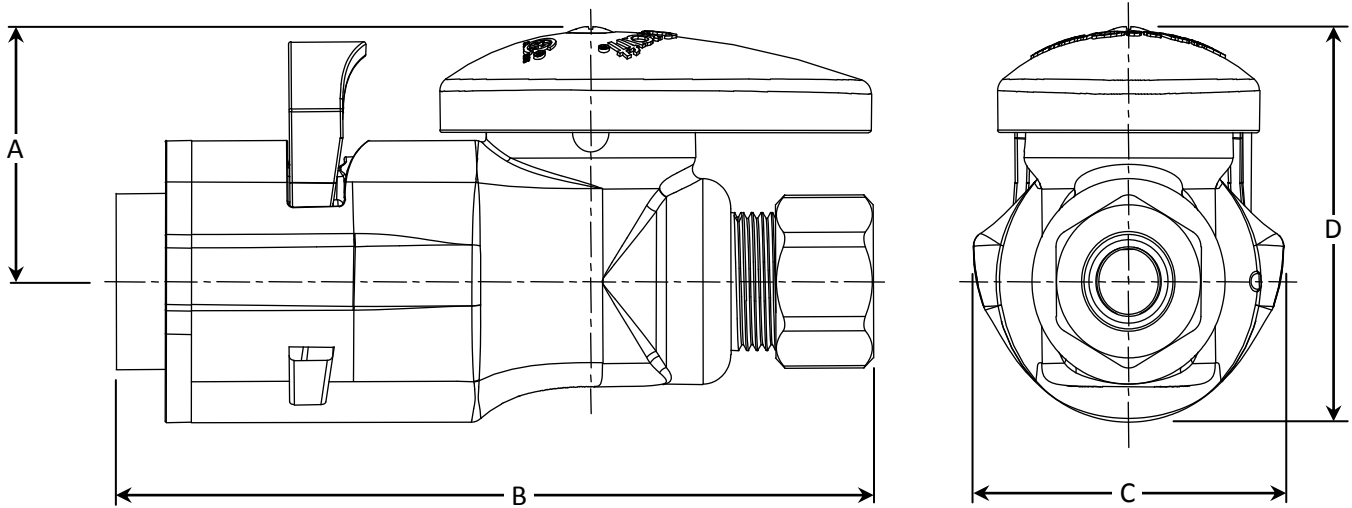
*This specification and all information contained herein is the confidential and exclusive property of BrassCraft Manufacturing, and shall not be disclosed to others without the written consent of BrassCraft Mfg. This specification must be returned to BrassCraft Mfg. if requested.*



# G2A14 Sure2Connect™ 1/4 Turn Straight Stop - Push Connect x Compression with Verification Technology

**Part Listing:**

G2A14 C1 1/2" nom push connect x 3/8" OD compression, window tray



PART DIMENSIONS (Inches)				
Model	DIM. A	DIM. B	DIM. C	DIM. D
G2A14	1.03	3.26	1.34	1.60

**Listings & Certifications:**

- IAPMO listed to ASME A112.18.6 and CSA B125.6 (File # 0452)
- CSA listed to ASME A112.18.6 and CSA B125.6 (File #204593)
- No-lead product CSA listed to NSF 372 (Class 6853-01)



*This specification and all information contained herein is the confidential and exclusive property of BrassCraft Manufacturing, and shall not be disclosed to others without the written consent of BrassCraft Mfg. This specification must be returned to BrassCraft Mfg. if requested.*

**BrassCraft®**