

**HOME**  
DECORATORS  
COLLECTION

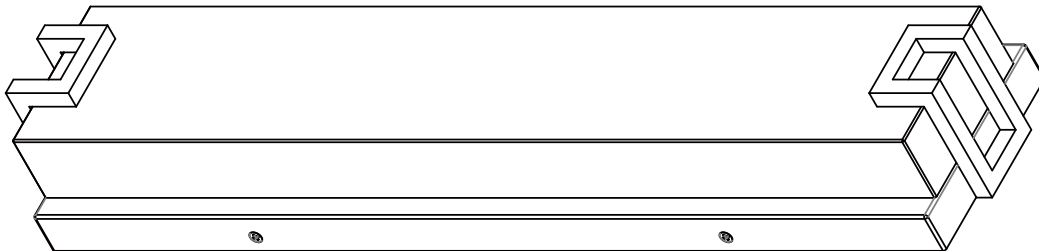
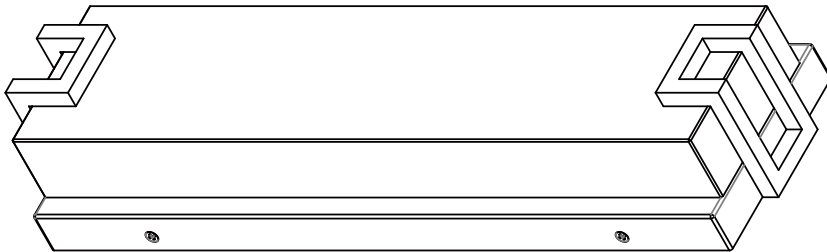
Model#  
22731  
22732

Item#  
1003175080  
1003175073

## USE AND CARE GUIDE

---

### LED Bath Vanity



Questions, problems, missing parts? Before returning to the store,  
call Home Decorators Collection Customer Service  
8 a.m. - 7 p.m., EST, Monday - Friday, 9 a.m. - 6 p.m., EST, Saturday

1-800-998-7021

[HOMEDEPOT.COM/HOMEDECORATORS](http://HOMEDEPOT.COM/HOMEDECORATORS)

---

*THANK YOU*

*We appreciate the trust and confidence you have placed in Home Decorators Collection through the purchase of this LED Bath Vanity. We strive to continually create quality products designed to enhance your home. Visit us online to see our full line of products available for your home improvement needs. Thank you for choosing Home Decorators Collection!*

# Table of Contents

Table of Contents.....	2	Hardware Included.....	3
Safety Information.....	2	Package Contents.....	4
Warranty.....	2	Installation.....	5
Pre-installation.....	3	Care & Cleaning.....	6
Planning Intallation.....	3	Troubleshooting.....	6
Tools Required.....	3	FCC Statement.....	7

## Safety Information

- Consult a qualified electrician for the installation of this fixture.
- If you have any non-electrical questions about this fixture, please contact our Customer Service Team at 1-800-998-7021 or visit [www.homedepot.com/HomeDecorators](http://www.homedepot.com/HomeDecorators). Please reference your SKU 1003175080, 1003175073 or (UPC 718212227312, 718212227329).
- Keep your receipt and these instructions for proof of purchase.



**WARNING:** Before starting installation of this fixture or removal of a previous fixture, disconnect the power by turning off the circuit breaker or by removing the fuse at the fuse box.



**CAUTION:** Inspect the wire insulation for any cuts, abrasions, or exposed copper that have occurred during shipping. If there is a defect in the wire, do not continue the assembly process. Please call our Customer Service Team at 1-800-998-7021.

## Warranty

### LIMITED WARRANTY

#### WHAT IS COVERED

The manufacturer warrants this lighting fixture to be free from defects in materials and workmanship for a period of three (3) years from date of purchase. This warranty applies only to the original consumer purchaser and only to products used in normal use and service. If this product is found to be defective, the manufacturer's only obligation, and your exclusive remedy, is the repair or replacement of the product at the manufacturer's discretion, provided that the product has not been damaged through misuse, abuse, accident, modifications, alterations, neglect, or mishandling.

#### WHAT IS NOT COVERED

This warranty shall not apply to any product that is found to have been improperly installed, set-up, or used in any way not in accordance with the instructions supplied with the product. This warranty shall not apply to a failure of the product as a result of an accident, misuse, abuse, negligence, alteration, or faulty installation, or any other failure not relating to faulty material or workmanship. This warranty shall not apply to the finish on any portion of the product, such as surface and/or weathering, as this is considered normal wear and tear. The manufacturer does not warrant and specially disclaims any warranty, whether express or implied, of fitness for a particular purpose, other than the warranty contained herein. The manufacturer specifically disclaims any liability and shall not be liable for any consequential or incidental loss or damage, including but not limited to any labor/expense costs involved in the replacement or repair of said product.

Contact Customer Care at 1-800-998-7021 or visit [www.homedepot.com/HomeDecorators](http://www.homedepot.com/HomeDecorators).

# Pre-Installation

## PLANNING INSTALLATION

Read all of these instructions before assembling and installing. To avoid damaging this product, assemble it on a soft, non-abrasive surface such as carpet or cardboard. Inspect each part for defects that may have occurred during shipping. Keep your receipt and these instructions for proof of purchase.

## TOOLS REQUIRED



Safety goggles



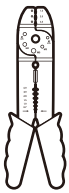
Pliers



Phillips screwdriver



Flathead screwdriver



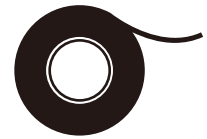
Wire strippers



Wire cutters



Ladder

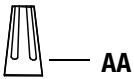


Electrical tape

## HARDWARE INCLUDED



**NOTE:** Hardware not shown to actual size.



AA



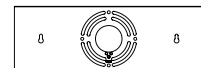
BB



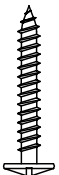
CC



DD



EE



FF

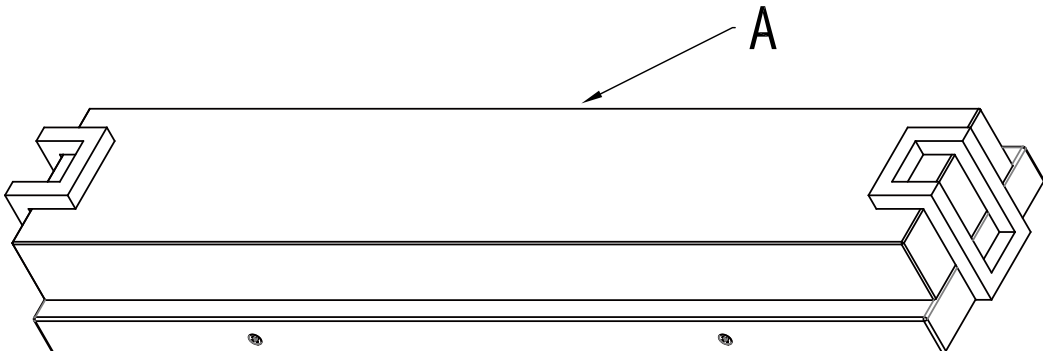


GG

Part	Description	Quantity
AA	Wire nut	3
BB	Outlet box screw	2
CC	Ground screw	1
DD	Mounting screw	4
EE	Backplate	1
FF	Tapping screw	2
GG	Anchor	2

# Pre-Installation (continued)

## PACKAGE CONTENTS



Part	Description	Quantity
A	Fixture body	1

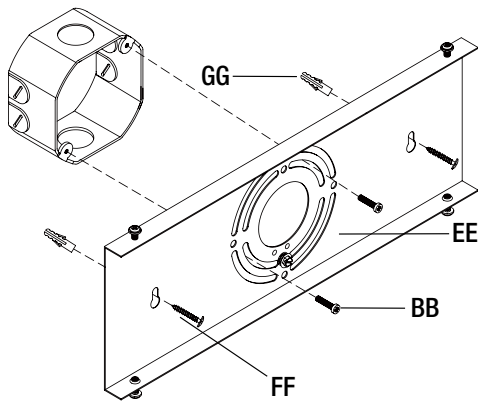
# Installation

## 1 Installing the backplate



**WARNING:** Turn off power at the main fuse box.

- Carefully unpack the fixture. Lay out all the parts on a clean surface.
- Remove the backplate (EE) from the fixture body (A). Using the backplate (EE) as a guide, mark on the wall with the outlet box (not included) the locations for anchors (GG) with a pencil (not included). Drill a 1/4 in. hole at marks, then insert anchors (GG). Secure the backplate (EE) to the outlet box with the outlet box screws (BB). Align the keyholes in the backplate (EE) with the anchors (GG) and insert the tapping screws (FF).

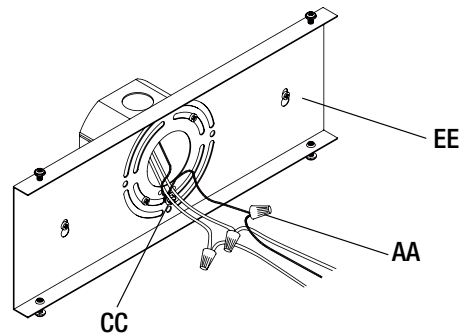


## 2 Making the electrical connections



**NOTE:** Always use the wire nuts (AA) to connect wires and push all excess wires and connections back into the junction box (not included).

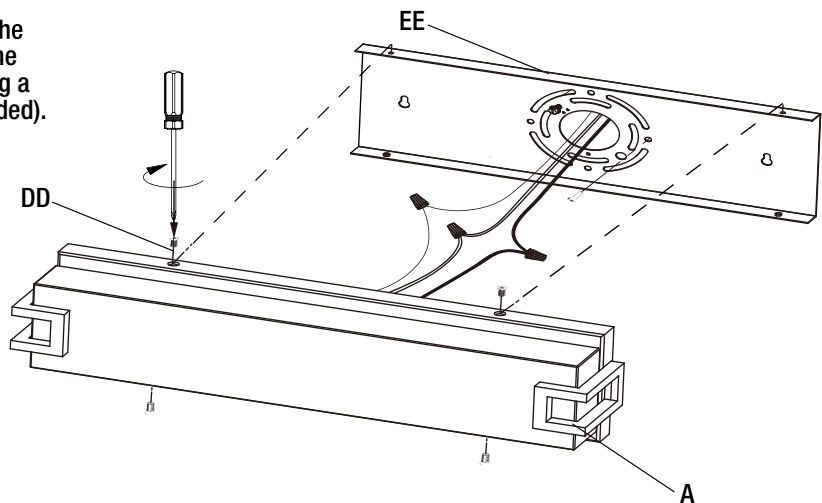
- Fasten the open end of the ground wire (bare copper or green wire) to the ground wire from the junction box or the ground screw (CC) on the backplate (EE).
- Connect the black wire of the power supply to the black wire of the fixture and connect the white wire of the power supply to the white wire of the fixture.



WHITE WIRE		WHITE WIRE
FROM HOUSE		FROM FIXTURE
BLACK WIRE		BLACK WIRE
FROM HOUSE		FROM FIXTURE
GROUND WIRE		GROUND WIRE
FROM HOUSE		FROM CANOPY

## 3 Installing the fixture body

- Attach the fixture body (A) to the backplate (EE). Then tighten the mounting screws (DD) by using a Phillips screwdriver (not included).



## Care and Cleaning

- To clean the outside of the fixture, use a dry or slightly dampened clean cloth (use clean water, never a solvent) to wipe the shade and surface of the fixture.
- To clean the inside of the fixture, first disconnect power to the fixture by turning off the circuit breaker or by removing the fuse at the fuse box. Next, use a dry or slightly dampened clean cloth (use clean water, never a solvent) to wipe the inside shade and interior surface of the fixture.
- Do not use any cleaner with chemicals, solvents, or harsh abrasives. Use only a dry, soft cloth to dust or wipe carefully.

## Troubleshooting

Problem	Possible Cause	Solution
□ The LED will not light.	□ The LED is burned out.	□ Replace the LED module.
	□ The power is off.	□ Ensure that the power supply is turned on.
	□ The circuit breaker is off.	□ Ensure that the circuit breaker is set to the ON position.
□ The fuse blows or the circuit breaker trips when the light is turned on.	□ There are too many items on one circuit.	<ul style="list-style-type: none"><li>□ Unplug the other items on the circuit.</li><li>□ Contact a qualified electrician or call the Customer Service Team at 1-800-998-7021.</li></ul>

# FCC STATEMENT

This equipment has been tested and found to comply with the limits for a Class B Digital Device, pursuant to Part 15 of the FCC Rules. These limits are designed to provide reasonable protection against harmful interference in a residential installation.

This equipment generates, uses and can radiate radio frequency energy and, if not installed and used in accordance with the instruction may cause harmful interference to radio communication. However, there is no guarantee that interference will not occur in a particular installation.

If this equipment does cause harmful interference to radio or television reception, which can be determined by turning the equipment off and on, the user is encouraged to try to correct the interference by one or more of the following measures:

- Reorient or relocate the receiving antenna.
- Increase the separation between the equipment and receiver.
- Connect the equipment into an outlet on a circuit different from that to which the receiver is connected.
- Consult the dealer or an experienced radio / TV technician for help.
- Caution: Changes or modifications to this unit not expressly approved by the party responsible for compliance could void the user's authority to operate the equipment.

# HOME DECORATORS COLLECTION

Questions, problems, missing parts? Before returning to the store,  
call Home Decorators Collection Customer Service  
8 a.m. - 7 p.m., EST, Monday - Friday, 9 a.m. - 6 p.m., EST, Saturday

1-800-998-7021

[HOMEDEPOT.COM/HOMEDECORATORS](https://www.homedepot.com/homedecorators)

Retain this manual for future use.