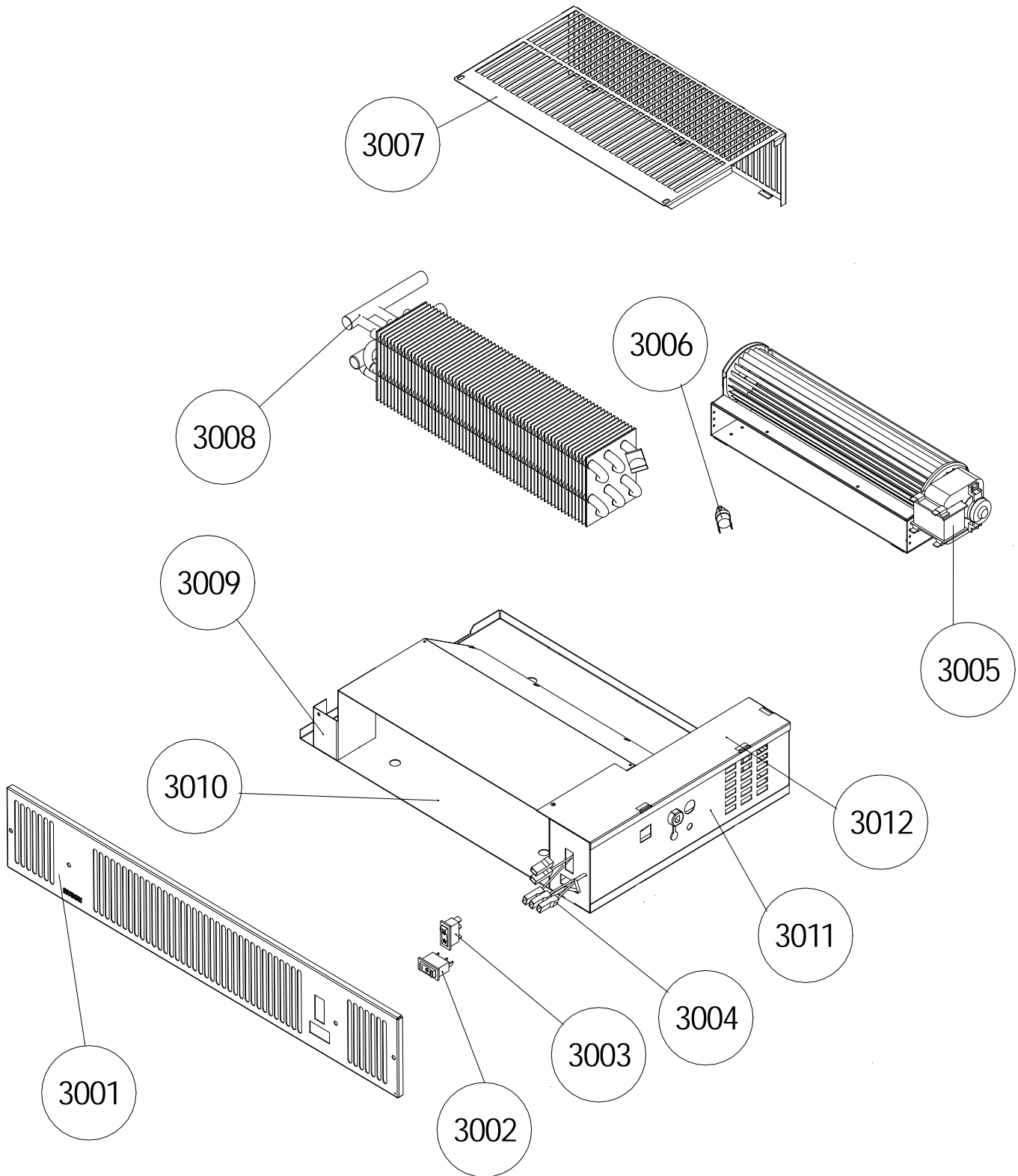




MYSON

# Whispa III 9000 PARTS



Whispa III 9000

ITEM	DESCRIPTION	PART No.
3001	White Facia Grille	5000128
	Brown Facia Grille	5000129
	Black Facia Grille	5000130
	Brush Stainless Grille	5000133
3002	Switch,3 Way	1300025
3003	Switch, 2 Way	1300024
3004	Wiring Harness	3000021
3005	Motor/Fan	1202028
3006	Low Limit Thermostat	1260007
3007*	Fan Guard	6001256
3008*	Element	8900098
3009*	Fan Duct	6001255
3010*	Chassis Base	6001254
3011*	Control Box	6001181
3012*	Control Cover	6001182
	* -Non Spare	