

FVN62-3612-UNS

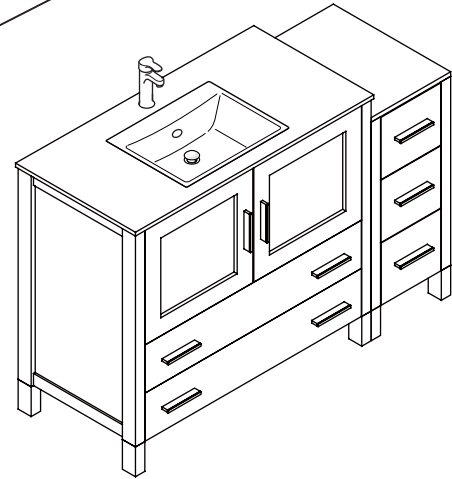
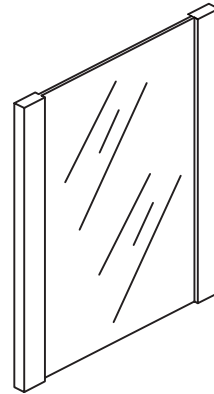
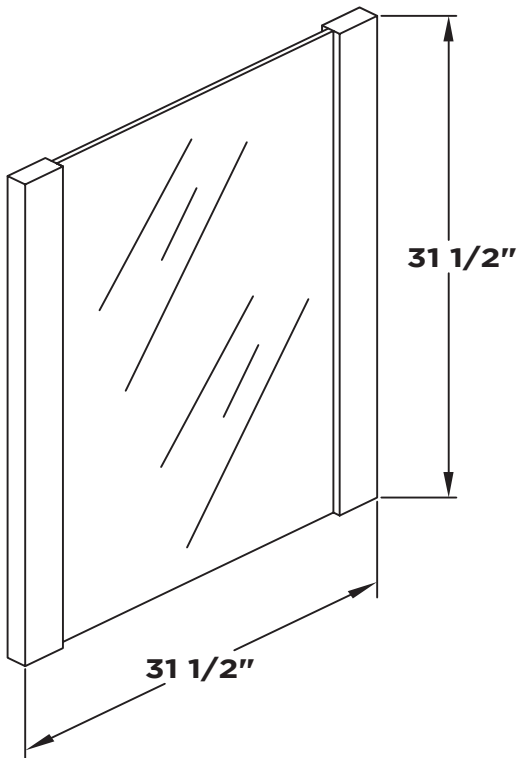
TORINO

INSTALLATION GUIDE

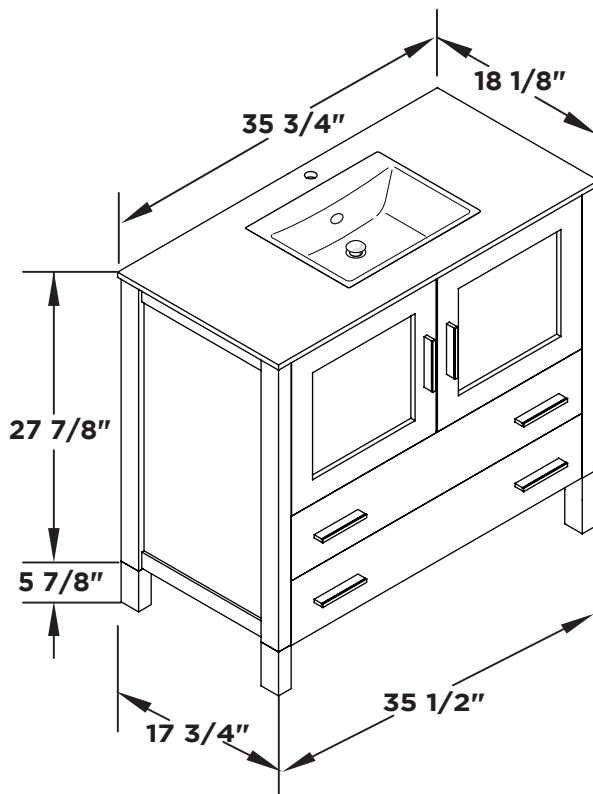


FRESCA

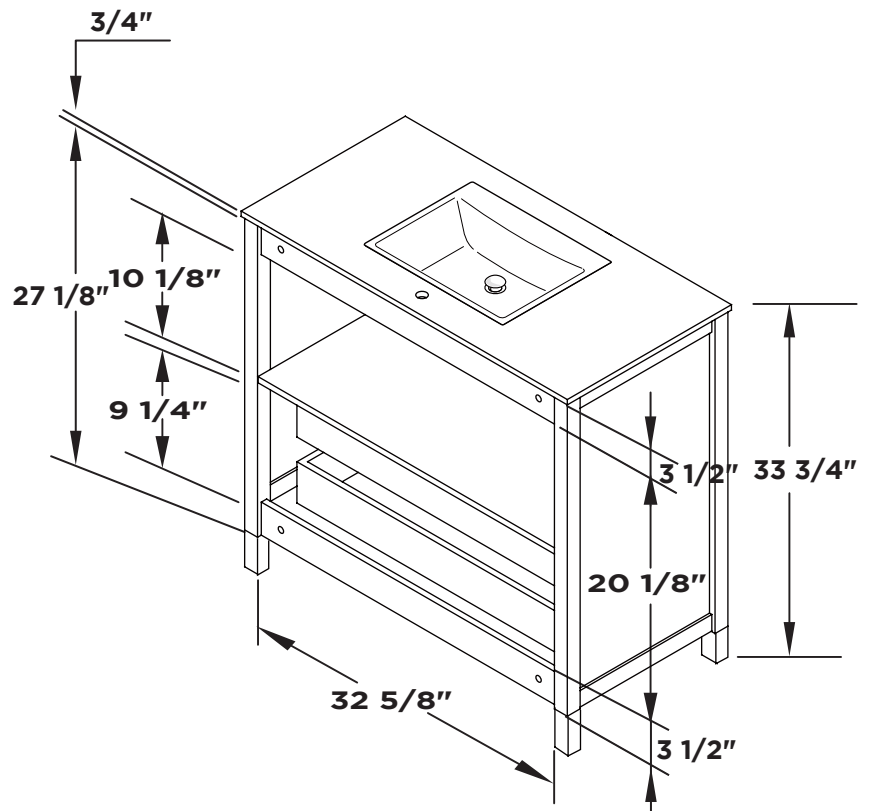
Mirror



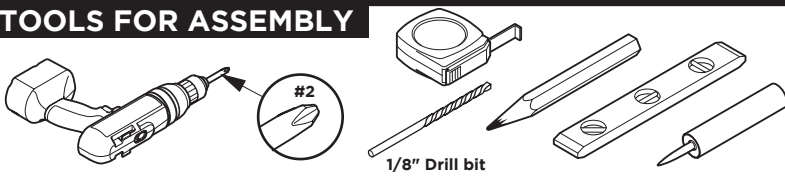
Vanity Front



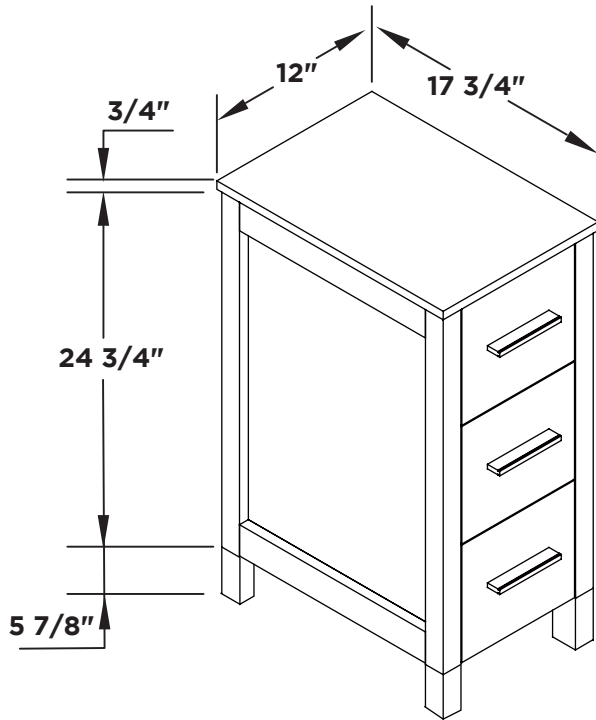
Vanity Back



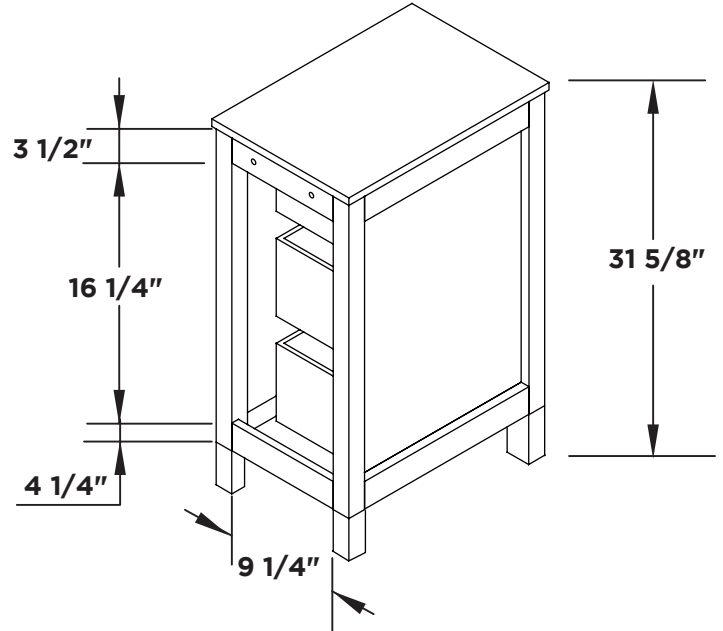
## TOOLS FOR ASSEMBLY



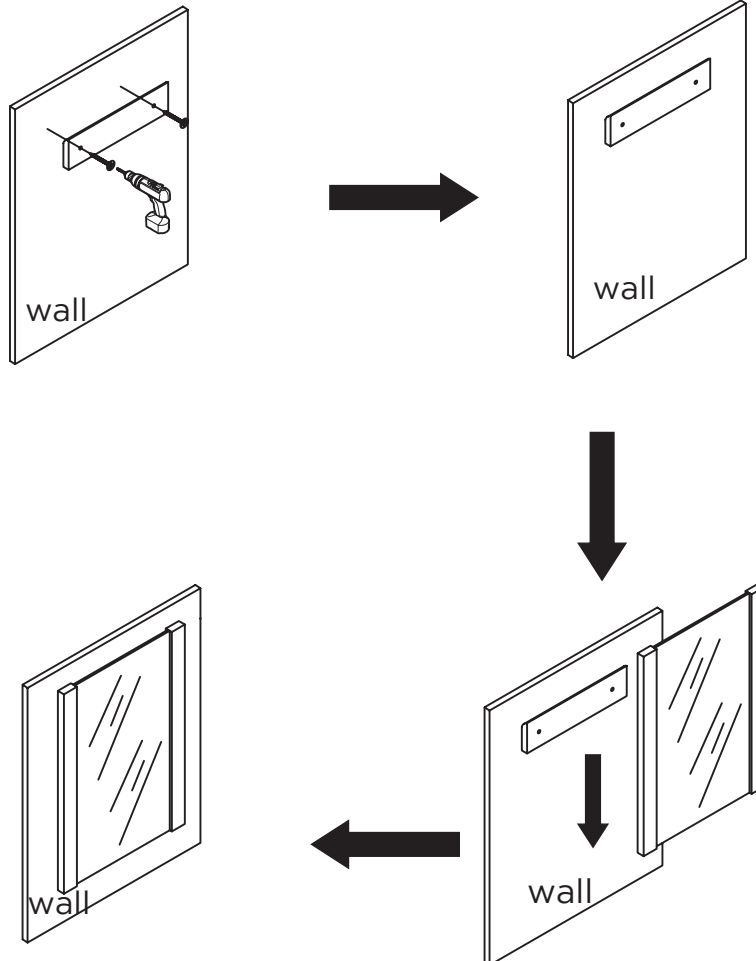
Side Cabinet Front



Side Cabinet Back

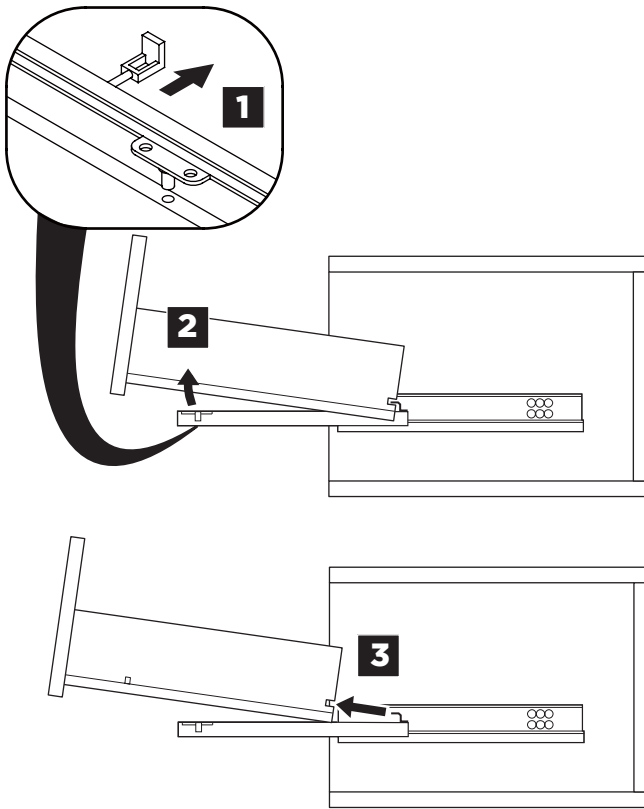


## MIRROR INSTALLATION

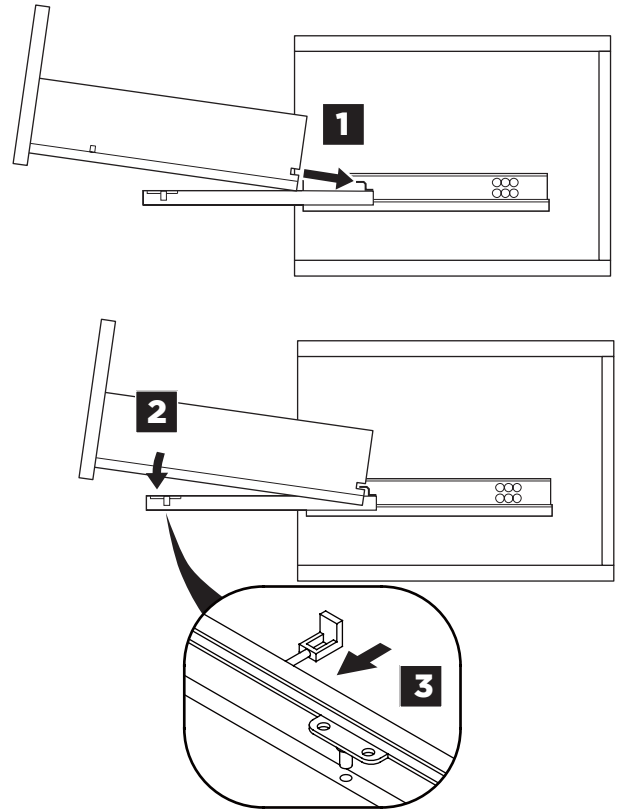


# DRAWER REMOVAL & INSTALLATION

## REMOVAL

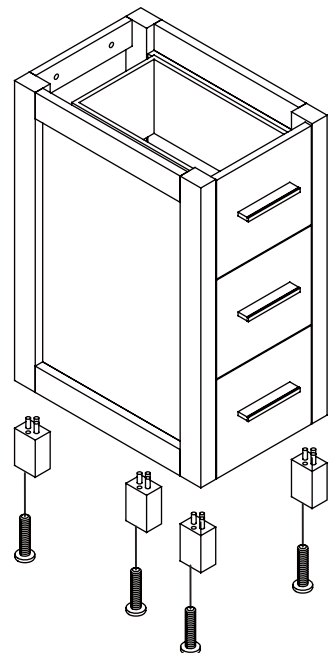
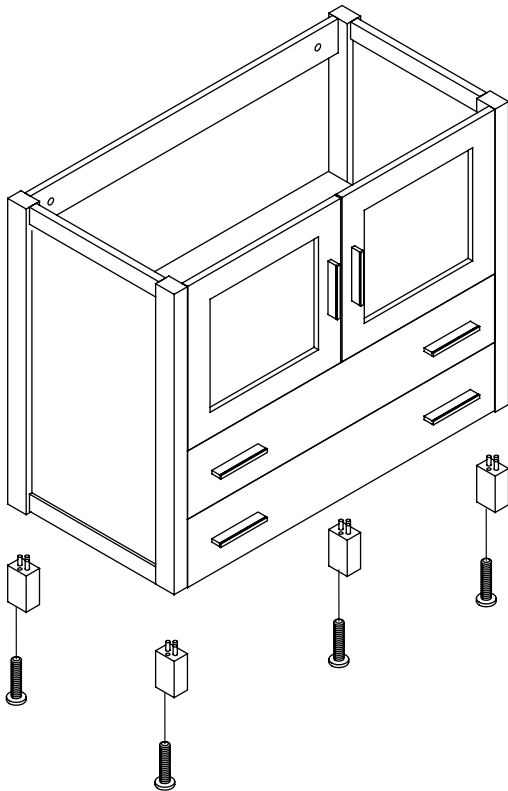


## INSTALLATION



1

Install leg



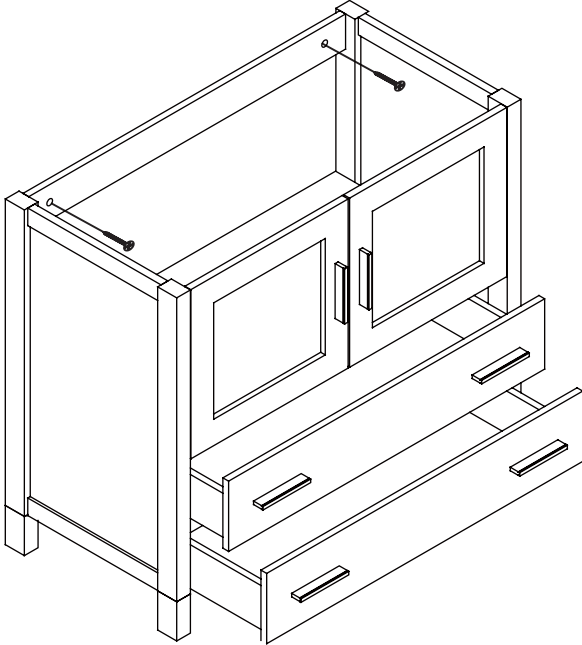
2

Remove side cabinet drawer

3

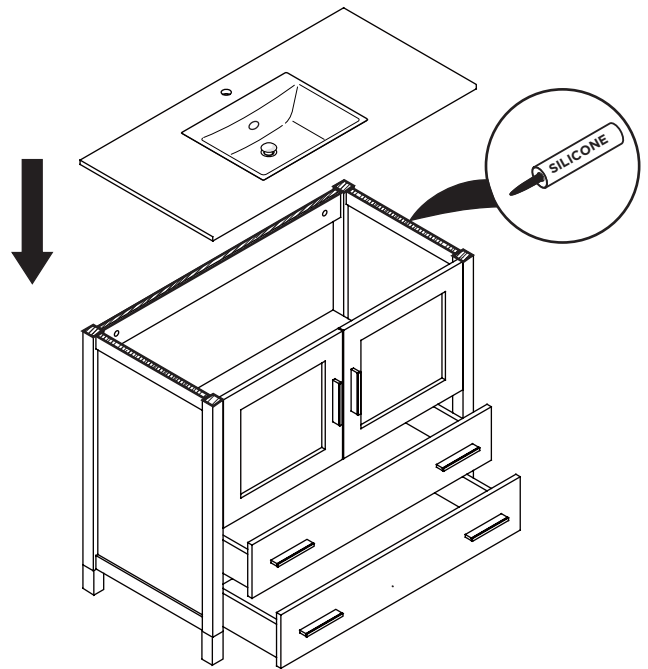
Install side cabinet

**IMPORTANT: Consult an expert for the proper screws/bolts to use when attaching to various wall constructions. Screws provided do not attach to all wall construction types.**



4

Install top panel

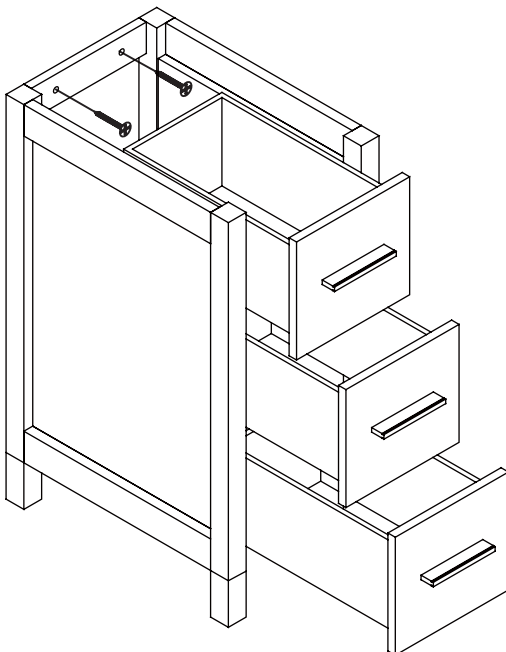


5

Remove side cabinet drawer

6

Install side cabinet



7

Install side cabinet top panel

