

LED AREA LIGHT

SPEC SHEET



Catalog No. : NOVA100-PC-4K-BZ

Type : Area Light

Project Name :

Location :

Qty :

Date :



Suitable for
Wet Locations



1 LIGHT
2 MOUNTS

PROBRITE's Outdoor Commercial Slim-Profile LED Area and Flood Light with included NEMA twist-lock photocell provides the ultimate security solution in illuminating a large area brightly. Two versatile mounts come standard: an extension arm with hardware for direct mounting to square poles, round poles and wall mounting and a 2-3/8 in. swivel angle-adjustable slip-fitter for fitting on standard tenons, bull-horns and 2-3/8 in. to 2-1/2 in. Round pipes commonly used for pole, ground and wall mounting applications. This Dual-Control Enabled light allows the user to choose between two operating modes: a Dusk to Dawn mode (automatic nighttime ON and daytime OFF) or a manual switch-controlled operation for more hands-on control.

APPLICATIONS

This LED area light offers precision Type-IV optics which is ideal for perimeter wall mounting, parking lots, large driveways, roadways, large backyards, and general illumination of large areas.

PRODUCT PERFORMANCE AT A GLANCE

SYSTEM WATTAGE	LED WATTAGE	LUMENS	LPW	CRI	REPLACES (MH)
99W	89W	12344 lm	124 lm/w	≥80	320W

HOUSING

Die cast aluminum housing with UV-stabilized vandal-resistant polycarbonate precision optical lens.

OPTICS

Type IV precision optics designed to reduce glare and direct aim directly over a wide coverage area on the ground. Ideal for perimeter security, parking lots, roadways, and general areas.

FINISH

Fade, weather, and abrasion resistant, electrostatically applied, thermally cured, triglycidal isocyanurate (TGIC) textured polyester powdercoat finish. Paint is bronze.

IP RATING & LISTINGS

LED light engine is weather proof rated IP66.

DLC Premium, cULus, FCC

MOUNTING

Straight Extension Arm:
Mount direct to walls, square poles and round poles.

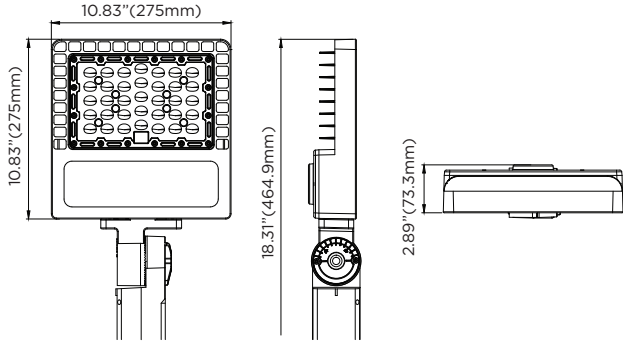
Angle-Adjustable Slip-Fitter:
Swivel and angle-adjustable that slides on standard tenons, bull-horns and 2-3/8 in. to 2-1/2 in. round pipes

WARRANTY

Fixture is covered by a 5-year limited warranty.

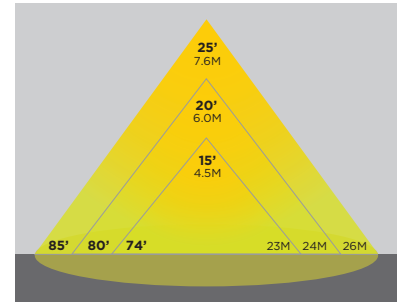
See probrite.com/warranty for details.

PRODUCT LINE DRAWING



SUGGESTED MOUNTING HEIGHT:
15-25FT. (4.6-7.6M)

3D PHOTOMETRIC VIEW

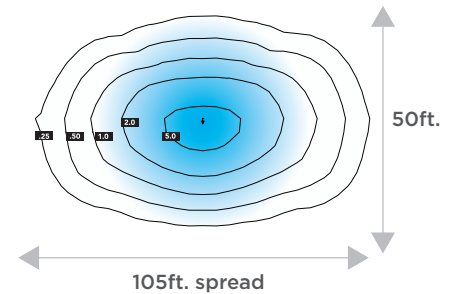


PRODUCT SPECIFICATIONS

Product Dimensions	: 18.31"×10.83"×2.89"
Weight	: 8.82lbs
Lumens	: 12344
System Wattage	: 99w
LED Wattage	: 89w
Efficacy	: 124
CRI	: 80
Replaces (MH)	: 320w
Mounting	: Slip Fitter
Frequency	: 50-60Hz
THD (Total Harmonic Distortion)	: <20%
PF (Power Factor)	: >0.9
Ambient Operating Temperature	: (-30) - 40°C
Input Voltage	: 120-277V
LED Chip	: LUXEON 3030 2D
Photocell	: Yes
Driver	: 0-10V Dimming
Standard Lifetime	: L70 >50,000hrs
Standard Warranty	: 5yrs
Water Proofing Grade	: IP66
CCT	: 4000K
Certifications	: DLC, UL/cUL

2D PHOTOMETRIC VIEW

MOUNTED AT 25FT.



APPLICATION

