

Item #TBA  
Model #0300816

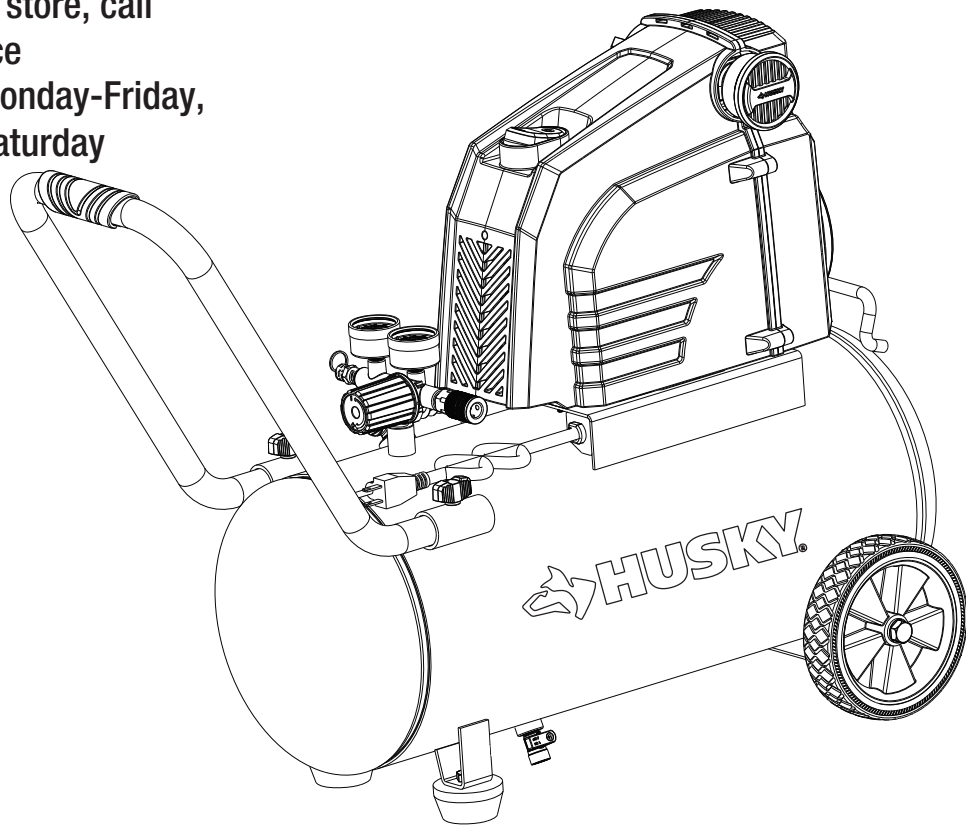


## USE AND CARE GUIDE

### 8 GALLON HOTDOG OIL FREE AIR COMPRESSOR

Questions, problems, missing parts?  
Before returning to the store, call  
Husky Customer Service  
8 a.m. - 7 p.m., EST, Monday-Friday,  
9 a.m. - 6 p.m., EST, Saturday  
1-888-HD-HUSKY

[HUSKYTOOLS.COM](http://HUSKYTOOLS.COM)



#### THANK YOU

*We appreciate the trust and confidence you have placed in Husky through the purchase of this air compressor. We strive to continually create quality products designed to enhance your home. Visit us online to see our full line of products available for your home improvement needs. Thank you for choosing Husky!*

# Table of Contents

Table of Contents.....	2	Tools Required .....	6
Safety Information.....	2	Hardware Included.....	6
Work Area Safety.....	2	Package Contents .....	7
Personal Safety.....	2	<b>Assembly .....</b>	<b>9</b>
Air Compressor and Pneumatic Tool Safety.....	3	<b>Compressor Operation.....</b>	<b>11</b>
Electrical Safety (Extension Cords) .....	3	<b>Troubleshooting.....</b>	<b>11</b>
Electrical Safety (Electrical Connection) .....	4	<b>Service Parts .....</b>	<b>12</b>
Electrical Safety (Speed And Wiring) .....	4	Exploded View .....	12
Electrical Safety (Grounding Instructions).....	4	Parts Table.....	13
<b>Warranty.....</b>	<b>5</b>		
Husky Air Compressor Limited Two-Year Warranty.....	5		
Additional Limitations .....	5		
<b>Specifications .....</b>	<b>5</b>		
Air Compressor .....	5		
<b>Pre-Assembly .....</b>	<b>6</b>		
Packing List .....	6		

# Safety Information

## WORK AREA SAFETY

1. Keep your work area clean and well lit. Ensure floors are not slippery from wax or dust.
2. Do not operate power tools in explosive atmospheres, such as in the presence of flammable liquids, gases, or dust. Power tools create sparks which may ignite the dust or fumes. Keep bystanders, children, and visitors away while operating tools. Distractions can cause you to lose control.
3. Operate the air compressor in an open area at least 18 in. away from any wall or object that could restrict the flow of fresh air to the ventilation openings.
4. Always disconnect the air supply and power supply before making adjustments, servicing a tool, or when a tool is not in use.
5. This compressor/pump is not equipped and should not be used to supply breathing quality air. Additional equipment is necessary to properly filter and purify the air to meet minimal specifications for Grade D breathing as described in Compressed Gas Association Commodity Specification G 7 .1 - 1966, OSHA 29 CF9 1910.134. Compressed Gas Association, 4221 Walney Road, Fifth Floor, Chantilly, VA 20151-2923  
(703) 788 2700, [www.cganet.com](http://www.cganet.com).  
Any such additional equipment has not been examined and no implication of proper use for breathing air is intended or implied.

## PERSONAL SAFETY



**WARNING:** Operating any power tool can result in foreign objects being thrown into your eyes, which can result in severe eye damage. Before beginning operation, always wear safety goggles, safety glasses with side shields, or a full face shield when needed. Always use eye protection marked to comply with ANSI Z87. 1.



**WARNING:** This product contains chemicals known to the State of California to cause cancer and birth defects or other reproductive harm. Wash hands after handling.

1. Use safety equipment. Always wear eye protection with side shields when operating power tools. A dust mask, nonskid safety shoes, a hard hat, or hearing protection must be used for appropriate conditions.
2. Stay alert when operating a power tool. Do not use the tool while tired or under the influence of drugs, alcohol, or medication.
3. Do not wear loose clothing or jewelry. Contain long hair. Keep your hair, clothing, and gloves away from moving parts. Loose clothes, jewelry, or long hair can be caught in moving parts.
4. Keep proper footing and balance at all times. Proper footing and balance enables better control of the tool in unexpected situations.
5. Do not use on a ladder or unstable support.

# Safety Information (continued)

## AIR COMPRESSOR AND PNEUMATIC TOOL SAFETY



**WARNING:** Do not attempt to modify this tool or create accessories not recommended for use with this tool. Any such alteration or modification is misuse and could result in a hazardous condition leading to possible serious personal injury.



**CAUTION:** Do not use in an environment that is dusty or otherwise contaminated. Using the air compressor in this type of environment may cause damage to the unit.

1. Keep compressors as far from the spraying area as possible, at least 15 ft. from the spraying area and all explosive vapors.
2. Risk of bursting. Do not adjust the regulator to result in output pressure greater than the marked maximum pressure of the attachment. Do not use at pressure greater than the rated maximum pressure of this compressor.
3. If connected to a circuit protected by fuses, use time-delay fuses with this product.
4. To reduce the risk of electric shock, do not expose to rain. Store indoors.
5. Ensure the hose is free of obstructions or snags. Entangled or snarled hoses can cause loss of balance or footing and may become damaged.
6. Use the air compressor only for its intended use. Do not alter or modify the unit from the original design or function. Never weld or drill holes in the air tank.
7. Never leave a tool unattended with the air hose attached.
8. Do not operate this tool if it does not contain a legible warning label.
9. Do not continue to use a tool or hose that leaks air or does not function properly.
10. Do not attempt to pull or carry the air compressor by the hose.
11. Your tool may require more air consumption than this air compressor is capable of providing.
12. Never direct a jet of compressed air toward people or animals.
13. Protect your lungs. Wear a face or dust mask if the operation is dusty.
14. Do not use this air compressor to spray chemicals. Your lungs can be damaged by inhaling toxic fumes. A respirator may be necessary in dusty environments or when spraying paint.
15. Do not use this compressor if any parts have been exposed to water.

## ELECTRICAL SAFETY

1. Avoid body contact with grounded surfaces such as pipes, radiators, ranges, and refrigerators. There is an increased risk of electric shock if your body is grounded.
2. Do not expose power tools to rain or wet conditions. Water entering a power tool will increase the risk of electric shock.
3. Do not abuse the cord. Never use the cord to carry the tool or pull the plug from an outlet. Keep the cord away from heat, oil, sharp edges, and moving parts.
4. Replace damaged cords immediately. Damaged cords increase the risk of electric shock.

## ELECTRICAL SAFETY (EXTENSION CORDS)



**WARNING:** Keep the extension cord clear of the working area. Position the cord so that it will not get caught on lumber, tools, or other obstructions while you are working with a power tool. Failure to do so can result in serious personal injury.



**WARNING:** Check extension cords before each use. If damaged, replace immediately. Never use the air compressor with a damaged cord since touching the damaged area could cause electrical shock resulting in serious personal injury.



**WARNING:** Improperly connecting the equipment-grounding conductor can result in a risk of electrical shock.

1. Use only 3-wire extension cords that have 3-prong grounding plugs and 3-pole receptacles that accept the air compressor's plug.
2. When using the air compressor at a considerable distance from the power source, use an extension cord heavy enough to carry the current that the compressor will draw. An undersized extension cord will cause a drop in line voltage, resulting in a loss of power and causing the motor to overheat. Use the following chart to determine the minimum wire size required in an extension cord.
3. Only use 50 ft. or less round jacketed cords listed by Underwriter's Laboratories (UL).
4. When operating a power tool outside, use an outdoor extension cord marked "w-A" or "w". These cords are rated for outdoor use and reduce the risk of electric shock.

# Safety Information (continued)

## ELECTRICAL SAFETY (EXTENSION CORDS) (CONTINUED)

Ampere rating (on air compressor data plate)						
	0– 2.0	2.1– 3.4	3.5– 5.0	5.1– 7.0	7.1– 12.0	12.1– 16.0
Cord Length	Wire Size (A.W.G)					
25 ft.	16	16	16	16	14	14
50 ft.	16	16	16	14	14	12
100 ft.	16	16	14	12	10	–
Used in 12 gauge – 20 amp circuit.						



**NOTE:** Use longer air hoses instead of long extension cords. Your air compressor will run better and last longer.

## ELECTRICAL SAFETY (ELECTRICAL CONNECTION)

1. This air compressor is powered by a precision built electric motor. It should be connected to a power supply that is 120 volts, 60 Hz, AC only (normal household current).
2. Do not operate this tool on direct current (DC). A substantial voltage drop will cause a loss of power and the motor will overheat. If the air compressor does not operate when plugged into an outlet, double check the power supply.

## ELECTRICAL SAFETY (SPEED AND WIRING)

1. The no-load speed of the electric motor varies by model and specification. The motor speed is not constant and decreases under a load or with lower voltage. For voltage, the wiring in a shop is as important as the motor's horsepower rating.
2. A line intended only for lights cannot properly carry a power tool motor. Wire that is heavy enough for a short distance will be too light for a greater distance. A line that can support one power tool may not be able to support two or three tools.

## ELECTRICAL SAFETY (GROUNDING INSTRUCTIONS)

1. This product must be grounded. In the event of an electrical short circuit, grounding reduces the risk of electric shock by providing an escape wire for the electric current. This air compressor is equipped with an electric cord having an equipment-grounding conductor and a grounding plug. The plug must be plugged into a matching outlet that is properly installed and grounded in accordance with all local codes and ordinances
2. Do not modify the plug provided. If it will not fit the outlet, have the proper outlet installed by a qualified electrician.
3. The conductor with insulation having an outer surface that is green with or without yellow stripes is the equipment grounding conductor. If repair or replacement of the electric cord or plug is necessary, do not connect the equipment grounding conductor to a live terminal.
4. Check with a qualified electrician or service personnel if you do not completely understand the grounding instructions, or if you are in doubt as to whether the tool is properly grounded. This product is for use on a nominal 120-V. Do not use an adapter with this product.





# Warranty

## HUSKY AIR COMPRESSOR LIMITED TWO-YEAR WARRANTY

This warranty covers defects in workmanship or materials in this Husky air compressor for the two-year period from the date of purchase. This warranty is specific to this air compressor model. Warranties for other Husky products may vary. This warranty applies only to the original retail purchaser and may not be transferred. This warranty does not cover normal wear and tear or any malfunction, failure or defect resulting from misuse, abuse, neglect, alteration, modifications or repair by other than a service center authorized to repair Husky branded air compressors. Expendable materials, such as motor brushes, seals, etc. are not covered by this warranty. This warranty does not apply to this compressor used in industrial applications or for rental purposes. Husky makes no warranties, representations, or promises as to the quality or performance of its air compressors other than those specifically stated in this warranty.

## ADDITIONAL LIMITATIONS

To the extent permitted by applicable law, all implied warranties, including warranties of merchantability or fitness for a particular purpose, are disclaimed. Any implied warranties, including warranties of merchantability or fitness for a particular purpose, that cannot be disclaimed under state law are limited to two years from the date of purchase. Husky is not responsible for direct, indirect, incidental, special or consequential damages. If this air compressor is used for commercial purposes, the warranty will apply for ninety (90) days from the date of purchase. Some states do not allow limitations on how long an implied warranty lasts and/or do not allow the exclusion or limitation of incidental or consequential damages, so the above limitations may not apply to you. This warranty gives you specific legal rights, and you may also have other rights, which vary from state to state.

Contact the Customer Service Team at 1-888-HD-HUSKY or visit [www.HomeDepot.com](http://www.HomeDepot.com).

# Specifications

## AIR COMPRESSOR

<b>Running horsepower</b>	1.8 HP
<b>Air tank capacity</b>	8 gal.
<b>Air pressure</b>	150 PSI max.
<b>Air delivery</b>	4.8 SCFM at 40 PSI 3.7 SCFM at 90 PSI
<b>Input</b>	120 V. 60 Hz. AC only. 12 Amps.
<b>Net weight</b>	51.81 lbs.

# Pre-Assembly

## PACKING LIST

Before assembling and operating this air compressor, ensure the following items are identified in the packaging:

- Air compressor
- Air filter (M)
- Wheel assembly package (includes 2 wheels (A), 2 shoulder bolts (AA), 2 nuts (BB), and 2 lock washers (CC), 2 flat washers (DD) )
- Handle assembly package (includes 1 Handle (F), 2 Thumbscrews (C) )
- Instruction manual

## TOOLS REQUIRED



Safety goggles

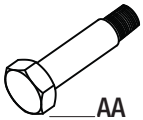


17 mm Wrench

## HARDWARE INCLUDED



**NOTE:** Hardware not shown to actual size.



AA



BB



CC

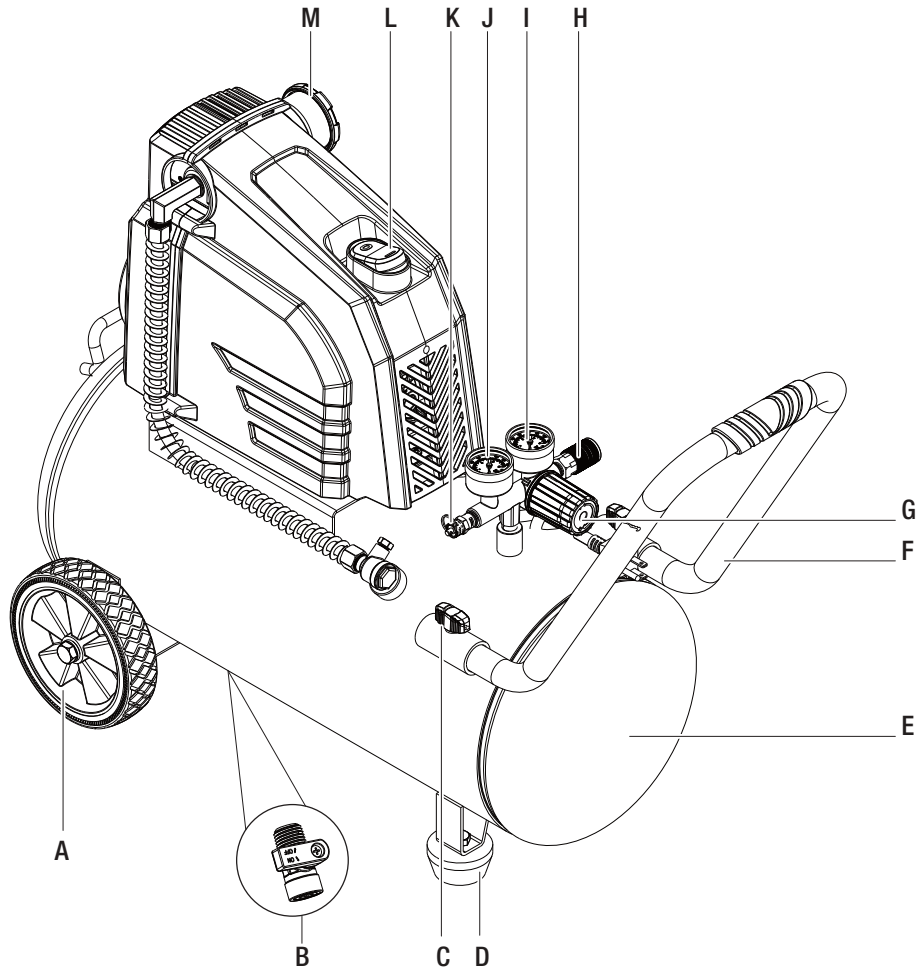


DD

Part	Description	Quantity
AA	Shoulder bolt M10	2
BB	Nut M10	2
CC	Lock washer	2
DD	Flat washer $\Phi$ 10	2

# Pre-Assembly (continued)

## PACKAGE CONTENTS

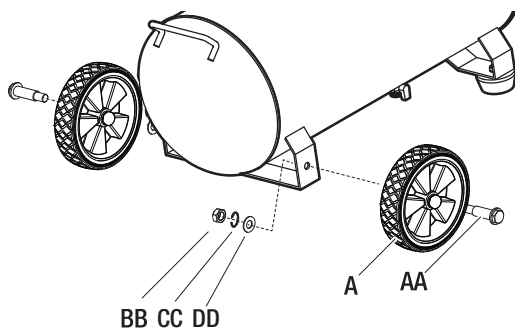


Part	Description	Quantity
A	Wheel	2
B	Ball valve	1
C	Thumbscrews	2
D	Rubber foot	2
E	Tank	1
F	Handle	1
G	Pressure regulator knob	1
H	Quick coupler	1
I	Regulator pressure gauge	1
J	Tank pressure gauge	1
K	Safety valve	1
L	ON/OFF Switch	1
M	Air filter	1

# Assembly

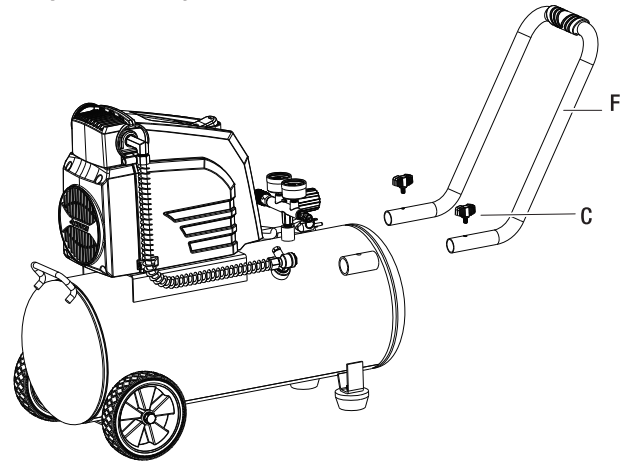
## 1 Assembling the wheels

- With the offset hub of a wheel (A) facing the tank's wheel bracket, assemble a M10 shoulder bolt (AA) through the holes in the wheel and tank wheel bracket.
- Place a flat washer (DD), lock washer (CC) onto the threaded end of the shoulder bolt (AA). Then, place a M10 nut (BB) on the threaded end of the bolt (AA) and tighten securely.
- Repeat for the other wheel (A).



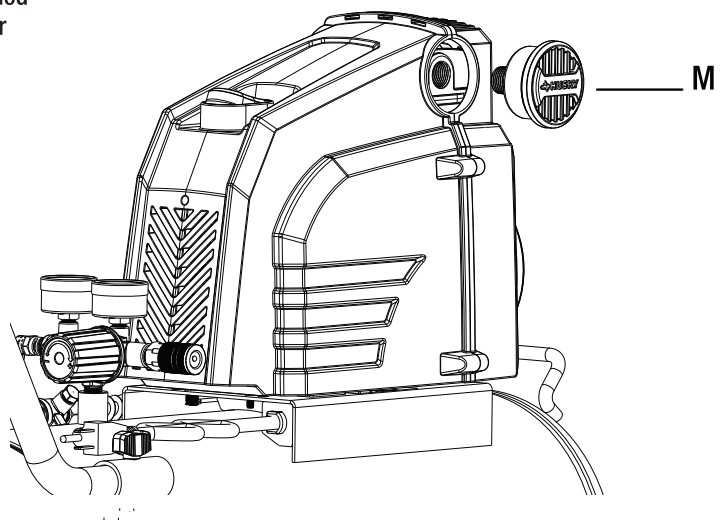
## 2 Assembling the handle

- Insert the two open ends of the handle (F) into the handle brackets on the air compressor tank.
- Align the holes in the handle bracket with the threaded holes in the handle (F).
- Attach the handle (F) to both sides of the air compressor using thumbscrews (C). Tighten securely.



## 3 Attaching the air filter

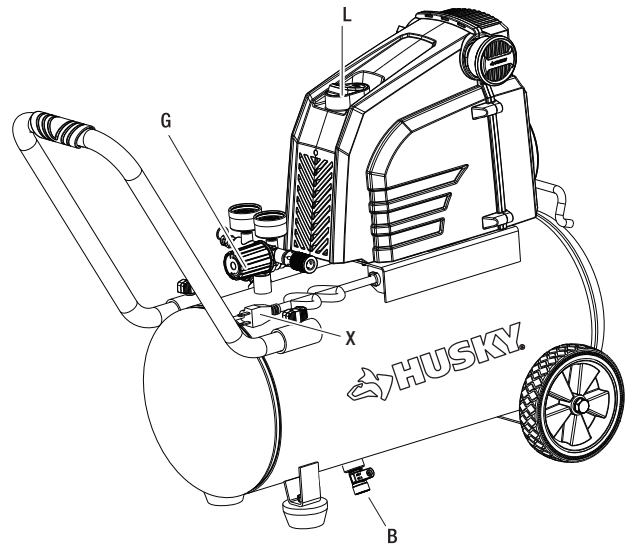
- Insert the threaded end of the air filter (M) into the threaded port of the pump head. Do not apply thread tape to the air filter assembly's threads.
- Rotate clockwise to tighten. Hand tighten only.



# Operation Instruction

## 1 Breaking in the pump

- Check and tighten all bolts and fittings.
- Open the air flow by turning the pressure regulator knob (G) fully clockwise.
- Place the ON/OFF switch (L) in the OFF position and plug in the power cord.
- Open the Ball valve (B).
- Place the ON/OFF switch (L) in the ON position and run the air compressor for 10 minutes.
- Place the ON/OFF switch (L) in the OFF position.
- Close the Ball valve (B).



## 2 How to start up

- Close the air tank drain valve (G) by turning clockwise.
- Plug in the power cord (X).
- Set the ON/OFF switch (L) to the I (on) position and allow tank pressure to build. Motor will stop when tank pressure reaches “cut-out” pressure.
- Turn the air pressure regulator (G) clockwise until desired pressure is reached.
- The compressor is ready for use.

## 3 How to shut down

- Set the ON/OFF switch (L) to the 0 (off) position.
- Unplug the power cord (X).
- Reduce the pressure in the tank through the outlet hose. Pulling the pressure relief valve ring (H) and keeping it open will also reduce the pressure in the tank.
- Tip the compressor so the tank drain valve is at the bottom of the tank, then open the tank drain valve counterclockwise to allow moisture to drain from the tank.

# Maintenance

## 1 Draining the tank

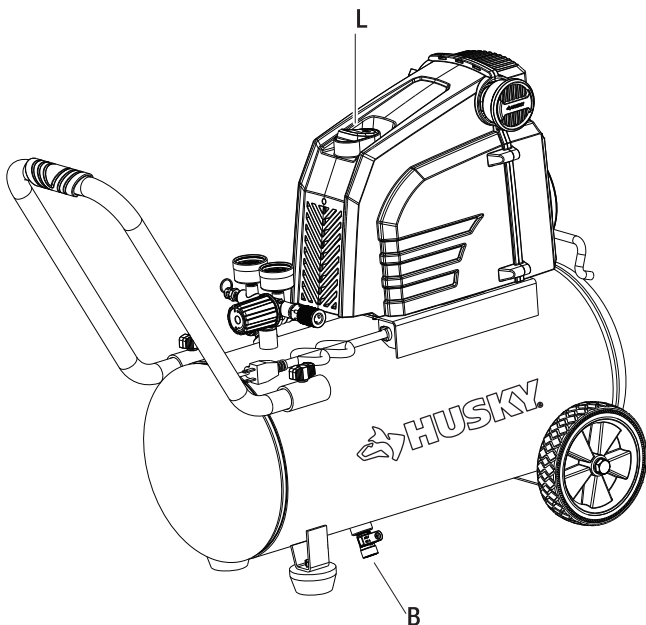
- Turn off the compressor.
- Pull the safety valve pull ring (K) to remove all air pressure from the tank. Continue to hold the safety valve open until both pressure gauges show 0 PSI. Next, unplug the air compressor from the power source.
- Position a suitable container below the drain valve. Fully open the Ball valve (B).
- Keep the compressor tilted until all moisture has been removed.
- If the Ball valve (B) is clogged, unplug the compressor and pull the Ball valve (B) to remove all air pressure. Remove and clean the Ball valve (B) and then reinstall it. Apply sealant tape (not included) to the threads of the Ball valve (B) to reduce the likelihood of air leaks.
- Completely close the Ball valve (B).



**WARNING:** Failure to unplug the air compressor and depressurize the tank before removing the valve may cause serious personal injury.



**NOTE:** Because condensate is a pollutant, dispose of it in compliance with local regulations.



## 2 Checking the safety valve

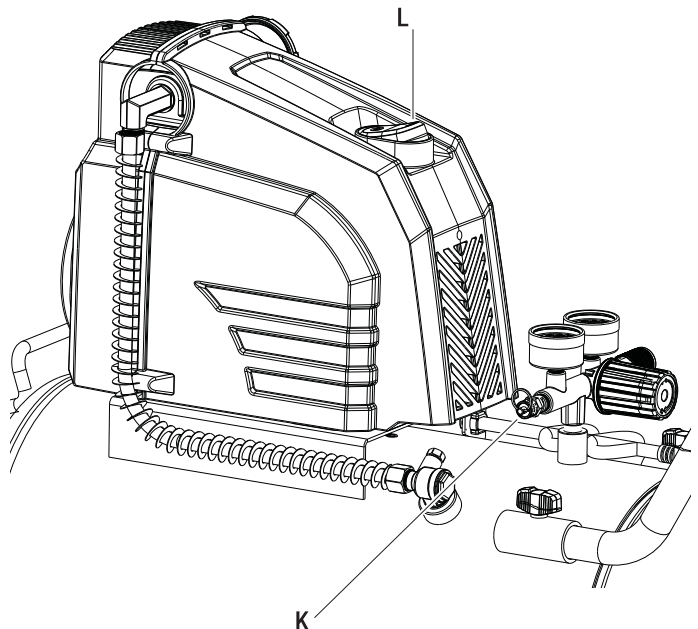
- Turn on the air compressor and wait for the tank to fill. The compressor automatically shuts off when the pressure reaches the preset maximum.
- Turn off the air compressor.
- Pull the ring on the safety valve (K) for 20 seconds to release the air.
- Release the ring. Air stops escaping at approximately 40-100 PSI. If the safety valve does not reset, stop dispelling air between 40-100 PSI, discontinue use, and seek service before using the air compressor again.



**DANGER:** Do not tamper with the safety valve. Items loosened from this device could fly up and hit you. Failure to heed this warning could result in death or serious personal injury. The safety valve automatically releases air when the receiver pressure exceeds the preset maximum. Check the valve.




**WARNING:** Air leaks after releasing the safety valve ring or if the valve is stuck. Do not use the air compressor until the safety valve has been replaced. Using the air compressor in this condition could result in serious personal injury.



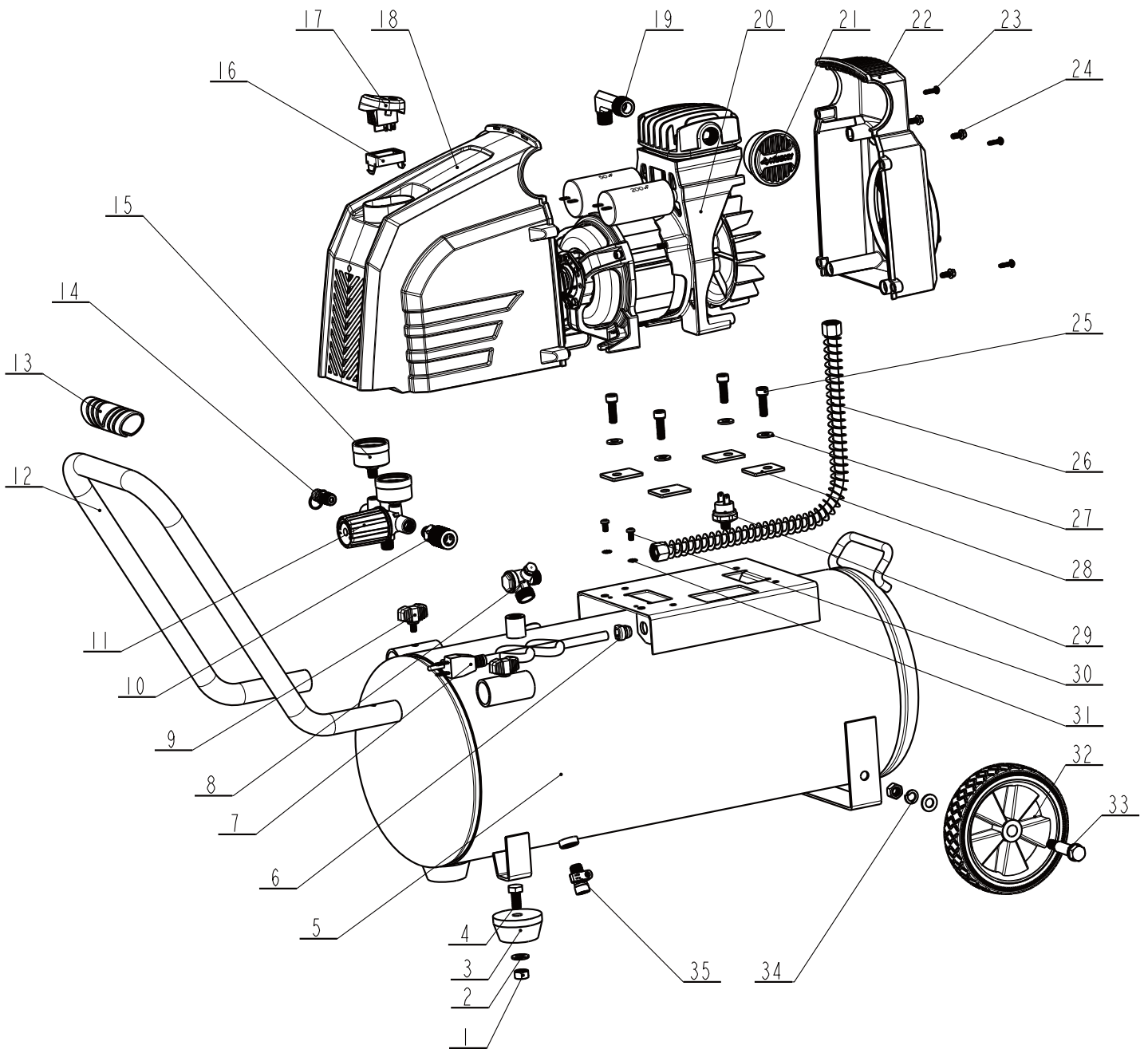


# Troubleshooting

Problem	Possible Cause	Solution
There is low pressure, not enough air, or the compressor does not stop.	<input type="checkbox"/> The tank drain valve is open. <input type="checkbox"/> There is a leak in the fittings. <input type="checkbox"/> There is a prolonged or excessive use of air. <input type="checkbox"/> The compressor is not large enough. <input type="checkbox"/> There is a hole in the air hose. <input type="checkbox"/> The tank leaks. <input type="checkbox"/> The seals are blown. <input type="checkbox"/> The valve leaks. <input type="checkbox"/> There is a leaking or worn piston.	<input type="checkbox"/> Close the drain valve. <input type="checkbox"/> Check fittings with soapy water. Tighten or reseal leaking fittings <b>DO NOT OVERTIGHTEN</b> . <input type="checkbox"/> Decrease the amount of air used. <input type="checkbox"/> Check the air requirement of the accessory. If it is higher than the CFM and the pressure supplied by the compressor, you need a larger compressor. Most accessories are rated at 25% of the actual CFM while running continuously. <input type="checkbox"/> Check and replace if necessary. <input type="checkbox"/>  <b>WARNING:</b> Immediately replace the tank. <b>DO NOT</b> attempt to repair. <input type="checkbox"/> Replace the compressor assembly. <input type="checkbox"/> Replace the compressor assembly. <input type="checkbox"/> Replace the compressor assembly.
Air leaks from the regulator or the regulator does not regulate air pressure.	<input type="checkbox"/> The internal parts of the regulator are dirty or damaged.	<input type="checkbox"/> Replace the regulator or internal parts.
The regulated pressure gauge reading drops when the air accessory is being used.	<input type="checkbox"/> This is normal. <input type="checkbox"/> The compressor is not large enough.	<input type="checkbox"/> If the pressure drops too low, adjust the regulator while the accessory is used. <input type="checkbox"/> Check the air requirement of the accessory. If it is higher than the CFM and the pressure supplied by the compressor, you need a larger compressor. Most accessories are rated at 25% of the actual CFM while running continuously.
The pressure relief valve opens.	<input type="checkbox"/> The tank pressure exceeds the normal rating pressure. <input type="checkbox"/> The pressure switch is stuck.	<input type="checkbox"/> Replace the pressure switch. <input type="checkbox"/> Replace the pressure switch.
The motor will not run.	<input type="checkbox"/> Tank pressure exceeds the preset pressure switch limit. <input type="checkbox"/> The fuse is blown or the circuit breaker tripped. <input type="checkbox"/> The check valve is stuck in the open position. <input type="checkbox"/> The wire gauge in the cord is wrong or the extension cord length is excessive. <input type="checkbox"/> There are loose electrical connections. <input type="checkbox"/> The motor's thermal overload protection has tripped. <input type="checkbox"/> The motor, capacitor or safety valve is defective.	<input type="checkbox"/> The motor will start automatically when the tank pressure drops below the tank cut-in pressure. <input type="checkbox"/> Replace the blown fuse or reset the circuit breaker. Do not use a fuse or circuit breaker with a higher rating than specified for your branch circuit. Check for proper fuse; type T fuse is acceptable. Check for low voltage and proper extension cord size. Disconnect other applications from the circuit. Operate the compressor on a dedicated circuit. <input type="checkbox"/> Remove and clean or replace. <input type="checkbox"/> Check for proper gauge and extension cord length. <input type="checkbox"/> Contact an authorized service center. <input type="checkbox"/> Turn the air compressor off, unplug the power cord and wait until the motor has cooled down. Plug in the power cord only after the motor has cooled down, waiting at least five minutes to make sure the thermal overload protector has recovered. <input type="checkbox"/> Have the compressor serviced by a qualified technician.

# Service Parts

## EXPLODED VIEW



## Service Parts (continued)

### PARTS LIST

Part	Description	Qty
1	Nut, hex head M10	4
2	Washer, flat $\Phi$ 10	4
3	Rubber pad	2
4	Bolt, hex head M10x20	2
5	Tank, 8gal	1
6	Anchor nut	1
7	Power cord	1
8	Check valve	1
9	Thumbscrew	2
10	Quick coupler	1
11	Regulator assy	1
12	Handle	1
13	Handgrip	1
14	Safety valve	1
15	Pressure gauge	2
16	Switch ferrule	1
17	ON/OFF switch	1
18	Front shroud	1

Part	Description	Qty
19	Elbow bend	1
20	Motor pump assy	1
21	Air filter	1
22	Back shroud	1
23	Screw ST3.9x16	4
24	Screw M5x12	4
25	Screw M8x25	4
26	Transfer tube	1
27	Washer , flat $\Phi$ 8	4
28	Cushion pad	4
29	Pressure switch	1
30	Screw M5x10	2
31	Washer $\Phi$ 10	2
32	Wheels assy	2
33	Shoulder bolt	2
34	Lock washer $\Phi$ 10	2
35	Ball valve	1



Questions, problems, missing parts? Before returning to the store,  
call Husky Customer Service  
8 a.m. - 7 p.m., EST, Monday-Friday, 9 a.m. - 6 p.m., EST, Saturday

**1-888-HD-HUSKY**

**HUSKYTOOLS.COM**

Retain this manual for future use.

Núm. de artículo TBA  
Núm. de modelo 0300816

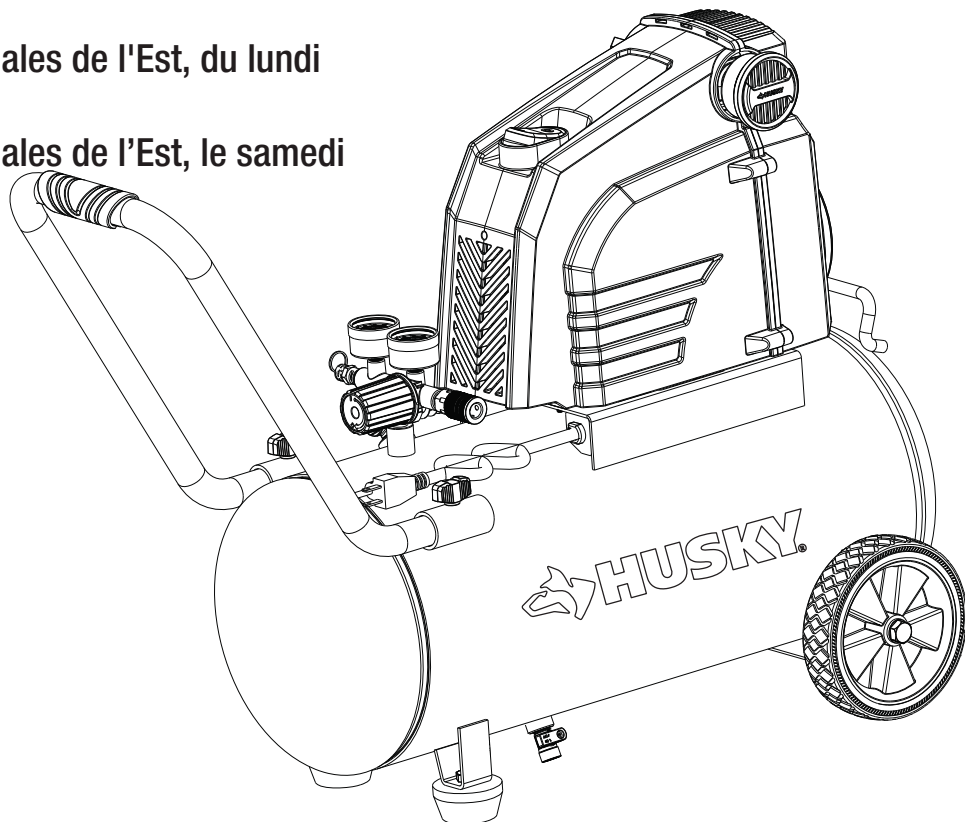


# GUIDE D'UTILISATION ET D'ENTRETIEN

## COMPRESSEUR D'AIR HOT-DOG 8 GALLONS EXEMPT D'HUILE

Questions, problèmes, pièces manquantes?  
Avant de retourner au magasin, appelez le service  
à la clientèle Husky  
8h - 19h, heures normales de l'Est, du lundi  
au vendredi,  
9h - 18h, heures normales de l'Est, le samedi  
1-888-HD-HUSKY

HUSKYTOOLS.COM



MERCI

*Nous apprécions la confiance que vous avez placée dans Husky par l'achat de ce compresseur d'air. Nous nous efforçons continuellement de créer des produits de qualité conçus pour améliorer votre maison. Visitez-nous en ligne pour voir notre gamme complète de produits disponibles pour vos besoins de rénovation. Merci d'avoir choisi Husky!*

# Tabla de contenido

Tabla de contenido.....	2
Información de seguridad.....	2
Seguridad del área de trabajo .....	2
Seguridad personal.....	2
Compresor de aire y seguridad de la herramienta neumática.....	3
Seguridad eléctrica (cables de extensión).....	3
Seguridad eléctrica (conexión eléctrica).....	4
Seguridad eléctrica (velocidad y cableado).....	4
Seguridad eléctrica (instrucciones de conexión a tierra) .....	4
Garantía.....	5
Garantía limitada de dos años del compresor de aire husky.....	5
Limitaciones adicionales .....	5
Especificaciones .....	5
Compresor de aire .....	5
Pre-ensamblaje .....	6
Lista del empaque .....	6

Herramientas requeridas.....	6
Herraje incluido .....	6
Contenido del paquete .....	7
Ensamblaje .....	9
Resolución de fallas.....	11
Piezas de servicio .....	12
Vista esquemática.....	12
Tabla de piezas .....	13

# Información de seguridad

## SEGURIDAD DEL ÁREA DE TRABAJO

1. Mantenga su área de trabajo limpia y bien iluminada. Asegúrese de que los pisos no estén resbaladizos por cera o polvo.
2. No opere herramientas eléctricas en atmósferas explosivas, como en presencia de líquidos, gases o polvo inflamables. Las herramientas eléctricas generan chispas que pueden encender el polvo o los humos. Mantenga lejos a los transeúntes, niños y visitantes mientras opera las herramientas. Las distracciones pueden hacer que pierda el control.
3. Opere el compresor de aire en un área abierta al menos a 18 pulgadas de cualquier pared u objeto que podría restringir el flujo de aire fresco a las aberturas de ventilación.
4. Desconecte siempre el suministro de aire y la fuente de energía antes de hacer ajustes, darle servicio a la herramienta, o cuando una herramienta no está en uso.
5. Este compresor/bomba no está equipado y no debe ser usado para suministrar aire de calidad para respiración. Es necesario equipo adicional para filtrar y purificar apropiadamente el aire para que cumpla con las especificaciones mínimas para respiración Grado D como se describe en Especificaciones para Artículos de la Asociación de Gas comprimido G 7.1 - 1966, OSHA 29 CF9 1910.134. Compressed Gas Association, 4221 Walney Road, Fifth Floor, Chantilly, VA 20151-2923 (703) 788 2700, [www.cganet.com](http://www.cganet.com).  
Tal equipo adicional no ha sido examinado y no está prevista ni implícita ninguna implicación de uso apropiado para respiración.

## SEGURIDAD PERSONAL



**ADVERTENCIA:** La operación de cualquier herramienta eléctrica puede resultar en que objetos extraños sean lanzados a sus ojos, lo que puede resultar en daños graves al ojo. Antes de comenzar la operación, use siempre gafas de protección, lentes de seguridad con protección lateral, o una máscara facial protectora completa. Use siempre protección de los ojos marcada para cumplir ANSI Z87.1. 1.



**ADVERTENCIA:** Este producto contiene sustancias químicas que el Estado de California sabe producen cáncer o defectos de nacimiento u otros daños reproductivos. Lávese las manos después de su manipulación.

1. Use equipo de seguridad. Use siempre protección para los ojos con pantallas protectoras cuando opere herramientas eléctricas. Deben usarse para condiciones apropiadas máscara antipolvo, zapatos de seguridad antideslizantes, casco o protección auditiva.
2. Manténgase alerta cuando opere una herramienta eléctrica. No use la herramienta cuando esté cansado o bajo la influencia de drogas, alcohol o medicamentos.
3. No use ropa floja ni joyas. Contenga el pelo largo. Mantenga su pelo, ropa y guantes lejos de las partes móviles. La ropa floja, las joyas o el pelo largo pueden ser atrapados por las partes móviles.
4. Conserve la posición apropiada y el equilibrio en todo momento. La posición apropiada y el equilibrio permiten un mejor control de la herramienta en situaciones inesperadas.
5. No use la herramienta en una escalera o en un soporte inestable.



# Información de seguridad (continuación)

## COMPRESOR DE AIRE Y SEGURIDAD DE LA HERRAMIENTA NEUMÁTICA



**ADVERTENCIA:** No intente modificar esta herramienta ni crear accesorios no recomendados para ser usados con la misma. Cualquier tal alteración o modificación constituye mal uso y podría resultar en una condición peligrosa que conduzca a posibles lesiones personales serias.



**PRECAUCIÓN:** No la use en un ambiente de mucho polvo o contaminado de otra manera. El uso de este compresor de aire en este tipo de ambiente puede causar daños a la unidad.

1. Mantenga el compresor lo más lejos posible del área de rociado y de todo vapor explosivo.
2. Riesgo de explosión. No ajuste el regulador de modo que la presión de salida sea mayor que la presión máxima marcada del acoplamiento. No la use a una presión mayor que la presión máxima nominal de este compresor.
3. Si se conecta a un circuito protegido con fusibles, use fusibles de retardo con este producto.
4. Para reducir el riesgo de choque eléctrico, no lo exponga a la lluvia. Guárdelo en interiores.
5. Asegúrese de que la manguera esté libre de obstrucciones u obstáculos. Las mangueras enredadas o enmarañadas pueden causar pérdida del equilibrio o posición y puede resultar con daños personales.
6. Use el compresor de aire solamente para su uso previsto. No altere ni modifique la unidad de su diseño original o función. Nunca suelde ni taladre agujeros en el tanque de aire.
7. Nunca deje una herramienta desatendida con la manguera de aire enganchada.
8. No opere esta herramienta si no contiene una etiqueta de advertencia legible.
9. No continúe usando una herramienta o manguera que tenga fuga de aire o que no funcione apropiadamente.
10. No intente halar o acarrear el compresor de aire por la manguera.
11. Su herramienta puede requerir más consumo de aire de lo que este compresor de aire es capaz de suministrar.
12. Nunca dirija un chorro de aire comprimido hacia personas o animales.
13. Proteja sus pulmones. Use una máscara facial o antipolvo si la operación es polvorienta.
14. No use este compresor de aire para rociar productos químicos. Sus pulmones pueden resultar dañados al inhalar humos tóxicos. Puede ser necesario un respirador en ambientes de mucho polvo o cuando rocíe pintura.
15. No use este compresor si alguna parte ha estado expuesta al agua.

## SEGURIDAD ELÉCTRICA

1. Evite el contacto del cuerpo con superficies con conexión a tierra como tuberías, radiadores, estufas y refrigeradores. Hay un riesgo mayor de choque eléctrico si su cuerpo es aterrizado.
2. No exponga las herramientas eléctricas a la lluvia o condiciones húmedas. El agua que ingresa a una herramienta eléctrica aumenta el riesgo de choque eléctrico.
3. No abuse del cable. Nunca use el cable para acarrear la herramienta ni hale el enchufe de un tomacorriente. Mantenga el cable lejos del calor, aceite, bordes filosos y partes móviles.
4. Reemplace los cables dañados de inmediato. Los cables dañados aumentan el riesgo de choque eléctrico.

## SEGURIDAD ELÉCTRICA (CABLES DE EXTENSIÓN)



**ADVERTENCIA:** Mantenga el cable despejado del área de trabajo. Coloque el cable de modo que no quede atrapado en madera, herramientas u otras obstrucciones mientras está trabajando con una herramienta eléctrica. No hacerlo así podría causar serias lesiones personales.



**ADVERTENCIA:** Revise los cables de extensión antes de usarlo. Si está dañado, reemplácelo de inmediato. Nunca use el compresor de aire con un cable dañado ya que al tocar el área dañada podría causar choque eléctrico resultando en una lesión personal grave.



**ADVERTENCIA:** La conexión inapropiada del conductor con conexión a tierra del equipo puede resultar en un riesgo de choque eléctrico.

1. Use solamente cables de extensión de tres alambres que tengan enchufes con conexión a tierra de tres terminales y receptáculos de 3 polos que acepten el enchufe del compresor de aire.
2. Cuando use el compresor de aire a una distancia considerable de la fuente de energía, use un cable de extensión suficientemente resistente para conducir la corriente que el compresor demandará. Un cable subdimensionado ocasionará una caída en el voltaje de la línea, resultando en pérdida de energía y sobrecalentamiento del motor. Use la siguiente tabla para determinar el tamaño mínimo del cable requerido en un cable de extensión.
3. Use solamente 50 pies o menos de cables revestidos redondos listados por Underwriter's Laboratories (UL).
4. Cuando opere una herramienta eléctrica en exteriores, use un cable de extensión para exteriores marcado "W-A" o "W". Estos cables están clasificados para uso en exteriores y reducen el riesgo de choque eléctrico.

# Información de seguridad (continuación)

## SEGURIDAD ELÉCTRICA (CABLES DE EXTENSIÓN) (CONTINUACIÓN)

Capacidad en amperios (en la placa de características del compresor de aire)						
	0-2.0	2.1-3.4	3.5-5.0	5.1-7.0	7.1-12.0	12.1-16.0
Longitud del cable	Calibre del cable (A.W.G)					
25 pies	16	16	16	16	14	14
50 pies	16	16	16	14	14	12
100 pies	16	16	14	12	10	–

**Usado en calibre 12 – circuito de 20 amperios**



**NOTA:** Use mangueras de aire más largas en lugar de cables de extensión largos. Su compresor de aire funcionará mejor y durará más.

## SEGURIDAD ELÉCTRICA (CONEXIÓN ELÉCTRICA)

1. Este compresor de aire es accionado por un motor eléctrico construido de precisión. Debe conectarse a un suministro de energía de 120 volts, 60 Hz, AC solamente (corriente doméstica normal).
2. No opere esta herramienta en corriente directa (DC). Una caída sustancial de voltaje causará una pérdida de energía y el motor se sobrecalentará. Si el compresor de aire no funciona cuando está conectado en un tomacorriente, revise de nuevo el suministro de energía.

## SEGURIDAD ELÉCTRICA (VELOCIDAD Y CABLEADO)

1. La velocidad sin carga del motor eléctrico varía según el modelo y especificaciones. La velocidad del motor no es constante y disminuye bajo una carga o con voltaje más bajo. Para el voltaje, el cableado en un taller es tan importante como la capacidad de potencia del motor.
2. Una línea prevista solamente para luces no puede accionar apropiadamente a un motor de herramienta eléctrica. Un cable suficientemente fuerte para una distancia corta será muy ligero para una distancia mayor. Una línea que puede soportar una herramienta eléctrica puede no ser capaz de soportar dos o tres herramientas.

## SEGURIDAD ELÉCTRICA (INSTRUCCIONES DE CONEXIÓN A TIERRA)

1. Este producto debe estar aterrizado. En el caso de un corto circuito, la conexión a tierra reduce el riesgo de choque eléctrico proporcionando un cable de escape para la corriente eléctrica. Este compresor de aire está equipado con un cable eléctrico, un conductor con conexión a tierra del equipo y un enchufe con conexión a tierra. El enchufe debe conectarse en un tomacorriente correspondiente que esté instalado apropiadamente y con conexión a tierra de acuerdo con todos los códigos y ordenanzas locales.
2. No modifique el enchufe proporcionado. Si no queda en el tomacorriente, haga que un electricista calificado instale un tomacorriente apropiado.
3. El conductor con aislamiento que tiene una superficie exterior verde con o sin bandas amarillas es el conductor con conexión a tierra del equipo. Si es necesario reparar o reemplazar el cable eléctrico o enchufe, no conecte el conductor con conexión a tierra del equipo en una terminal viva.
4. Consulte a un electricista calificado o personal de servicio si usted no entiende por completo las instrucciones de aterrizaje, o si tiene dudas en cuanto a si la herramienta está aterrizada apropiadamente. Este producto es para uso en 120-V nominales. No use un adaptador con este producto.

## Garantía

### GARANTÍA LIMITADA DE DOS AÑOS DEL COMPRESOR DE AIRE HUSKY

Esta garantía cubre defectos en mano de obra y materiales en este compresor de aire Husky por el periodo de dos años a partir de la fecha de compra. Esta garantía es específica a este modelo de compresor de aire. Las garantías para otros productos Husky puede variar. Esta garantía aplica solamente al comprador original al por menor y no puede ser transferida. Esta garantía no cubre desgaste o uso normales o cualquier mal funcionamiento, fallas o defectos que resulten del mal uso, abuso, negligencia, alteración, modificaciones o reparaciones hechas por otros que no sean un centro de servicio autorizado para reparar compresores de aire de la marca Husky. Los materiales fungibles, como escobillas, sellos, etc. no están cubiertos por esta garantía. Esta garantía no aplica a este compresor usado en aplicaciones industriales o para fines de alquiler. Husky no ofrece garantías, representaciones o promesas en cuanto a la calidad o desempeño de estos compresores de aire que no sean las establecidas específicamente en esta garantía.

### LIMITACIONES ADICIONALES

En la medida permitida por la ley aplicable, todas las garantías implícitas, incluyendo garantías de comercialización o idoneidad para un propósito particular, son denegadas. Cualquier garantía implícita, incluyendo garantías de comercialización o idoneidad para un propósito particular, que no pueden ser denegadas conforme a la ley estatal están limitadas a los dos años a partir de la fecha de compra. Husky no se hace responsable de daños directos, indirectos, incidentales, especiales o consecuenciales. Si este compresor de aire es usado para fines comerciales, la garantía aplicará por noventa (90) días a partir de la fecha de compra. Algunos estados no permiten limitaciones sobre cuánto debe durar una garantía implícita y/o no permiten la exclusión o limitación de daños incidentales o consecuenciales, de modo que las limitaciones anteriores podrían no aplicar a usted. Esta garantía le otorga derechos legales específicos y también puede tener otros derechos que varían de un estado a otro.

Póngase en contacto con el Equipo de Servicio al Cliente llamando al 1-888-HD-HUSKY o visite [www.HomeDepot.com](http://www.HomeDepot.com).

## Especificaciones

### COMPRESOR DE AIRE

<b>Potencia de funcionamiento</b>	1,8 HP
<b>Capacidad del tanque de aire</b>	8 gal
<b>Presión del aire</b>	150 PSI máx
<b>Entrega de aire</b>	4,8 SCFM a 40 PSI 3,7 SCFM a 90 PSI
<b>Entrada</b>	120 V. 60 Hz. AC solamente. 12 Amperios
<b>Peso neto</b>	51,81 lbs

# Pre-ensamblaje

## LISTA DEL EMPAQUE

Antes de ensamblar y operar este compresor de aire, asegúrese de que los siguientes artículos estén identificados en el empaque:

- Compresor de aire
- Filtro de aire (M)
- Paquete de ensamblaje de las ruedas (incluye 2 ruedas (A), 2 pernos de resalto (AA), 2 tuercas (BB), y 2 arandelas de presión (CC), 2 arandelas planas (DD))
- Paquete de ensamblaje de la manija (incluye 1 manija (F), 2 Tornillos de mariposa (C))
- Manual de instrucciones

## HERRAMIENTAS REQUERIDAS



Gafas de seguridad

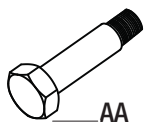


Llave de 17 mm

## HERRAJE INCLUIDO



NOTA: No se muestra el herraje en el tamaño real.



AA



BB



CC

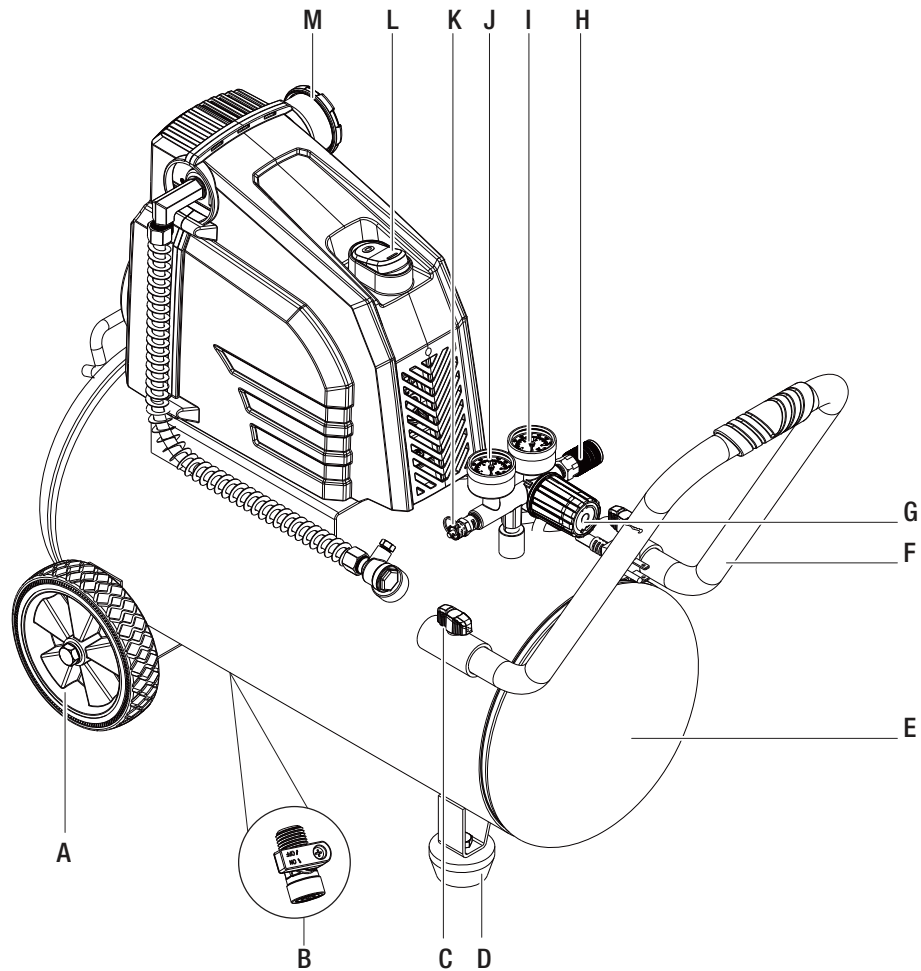


DD

Pieza	Descripción	Cantidad
AA	Perno de resalto de M10	2
BB	Tuerca de M10	2
CC	Arandela de presión	2
DD	Arandela plana $\Phi$ 10	2

## Pre-ensamblaje (continuación)

### CONTENIDO DEL PAQUETE

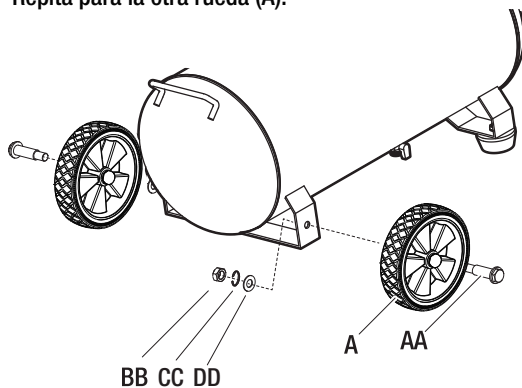


Pieza	Descripción	Cantidad
A	Rueda	2
B	Válvula de drenaje	1
C	Tornillo de mariposa	2
D	Pata de goma	2
E	Tanque	1
F	Manija	1
G	Perilla reguladora de presión	1
H	Acoplador rápido	1
I	Manómetro regulador	1
J	Manómetro del tanque	1
K	Válvula de seguridad	1
L	Interruptor de Encendido/Apagado	1
M	Filtro de aire	1

## Ensamblaje

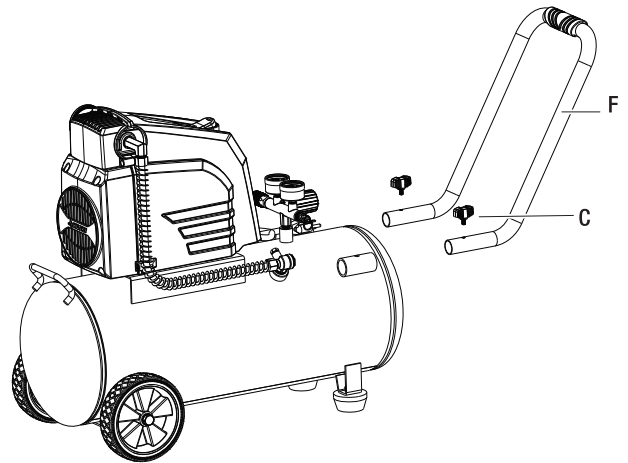
### 1 Ensamblaje de las ruedas

- Con el buje de compensación de una rueda (A) mirando hacia el soporte de la rueda del tanque, ensamble un perno de resalto de M10 (AA) a través de los agujeros en la rueda y el soporte de la rueda del tanque.
- Coloque una arandelas planas (dd), arandela (CC) en el extremo roscado del tornillo de hombro (AA). Luego, coloque una tuerca de M10 (BB) en el extremo roscado del perno (AA) y apriete con seguridad.
- Repita para la otra rueda (A).



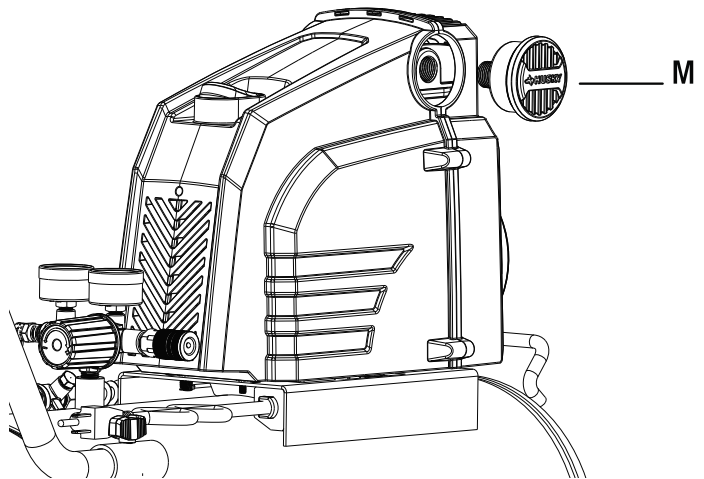
### 2 Ensamblaje de la manija

- Inserte los dos extremos abiertos de la manija (F) en los soportes de la manija en el tanque del compresor de aire.
- Alinee los agujeros en el soporte de la manija con los agujeros roscados en la manija (F).
- Instale la manija (F) en ambos extremos del compresor de aire usando tornillo de mariposa (C). Apriete con seguridad.



### 3 Instalación del filtro de aire

- Inserte el extremo roscado del filtro de aire (M) en el puerto roscado del cabezal de la bomba. No aplique cinta de roscas a las roscas del ensamblaje del filtro de aire.
- Gire hacia la derecha para apretar. Apriete a mano solamente.

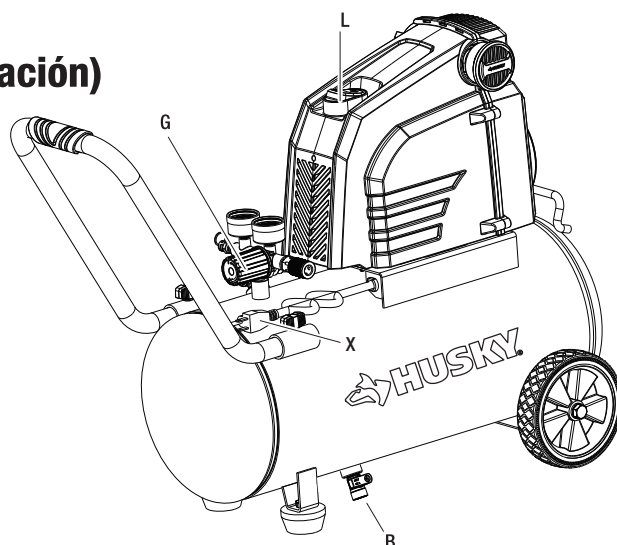




# Instrucción de Operación

## 1 Acomodamiento de la bomba (continuación)

- Revise y apriete todos los pernos y acoplamientos.
- Abra el flujo de aire girando la perilla reguladora de presión (G) completamente hacia la derecha.
- Coloque el interruptor ON/OFF (L) en la posición OFF y enchufe el cable eléctrico.
- Abra la válvula de drenaje (B).
- Coloque el interruptor ON/OFF(L) en la posición ON y haga funcionar el compresor de aire durante 10 minutos.
- Coloque el interruptor ON/OFF (L) en la posición OFF.
- Cierre la válvula de drenaje (B).



## 2 CÓMO HACERLA FUNCIONAR

- Cierre la válvula de drenaje del tanque de aire (G) girándola en dirección de las manecillas del reloj.
- Enchufe el cable de alimentación (X).
- Coloque el interruptor de ENCENDIDO/APAGADO (I) en la posición I (encendido) y deje que se acumule presión en el tanque. El motor se detendrá cuando la presión del tanque alcance el nivel de presión de desactivación.
- Gire la perilla del regulador de presión de aire (G) en dirección de las manecillas del reloj hasta que se alcance la presión deseada.
- El compresor está listo para usarse.

## 3 CÓMO DESCONECTARLA

- Coloque el interruptor de ENCENDIDO/APAGADO (I) en la posición 0 (apagado).
- Desenchufe el cable eléctrico (X).
- Reduzca la presión en el tanque a través de la manguera de salida. Si jala el anillo de la válvula de descarga de presión (H) y la mantiene abierta, también se reducirá la presión en el tanque.
- Inclíne el compresor de manera que la válvula de drenaje del tanque se ubique en la parte inferior de este, y luego abra la válvula de drenaje en dirección contraria a las manecillas del reloj para permitir que la humedad se drene del tanque.

# Mantenimiento

## 1 Drenado del tanque

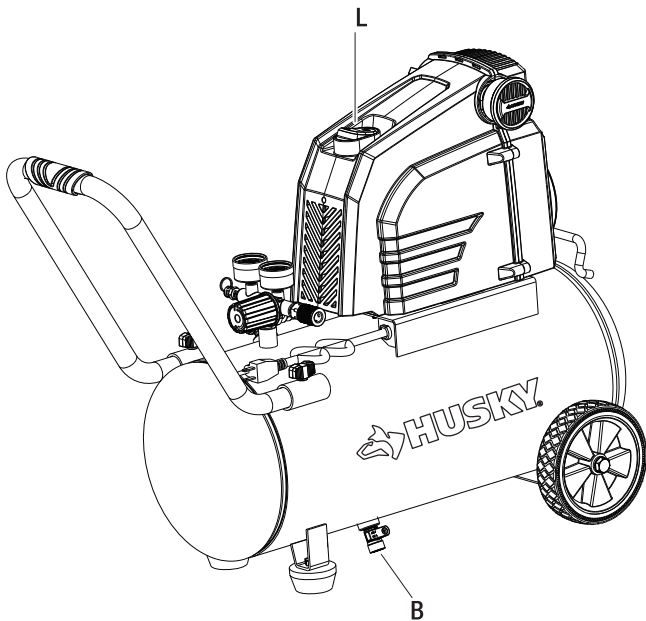
- Apague el compresor.
- Hale el anillo de tiro de la válvula de seguridad (K) para eliminar toda la presión de aire del tanque. Continúe manteniendo abierta la válvula de seguridad hasta que el manómetro muestre 0 PSI. Después, desenchufe el compresor de aire de la fuente de energía.
- Coloque un recipiente adecuado debajo de la válvula de drenaje. Abra por completo la válvula de drenaje (B).
- Mantenga inclinado el compresor hasta que se haya eliminado toda la humedad.
- Si la válvula de drenaje (B) está obstruida, desenchufe el compresor y hale la válvula de drenaje (B) para eliminar toda la presión de aire. Retire y limpie la válvula de drenaje (B) y luego reinstálela. Aplique cinta selladora (no incluida) a las roscas de la válvula de drenaje (B) para reducir la probabilidad de fugas de aire.
- Cierre completamente la válvula de drenaje (B).



**ADVERTENCIA:** No desenchufar el compresor de aire y no despresurizar el tanque antes de retirar la válvula puede causar lesiones personales graves.



**NOTA:** Debido a que el condensado es contaminante, descártelo en cumplimiento de las regulaciones locales.



## 2 Revisión de la válvula de seguridad

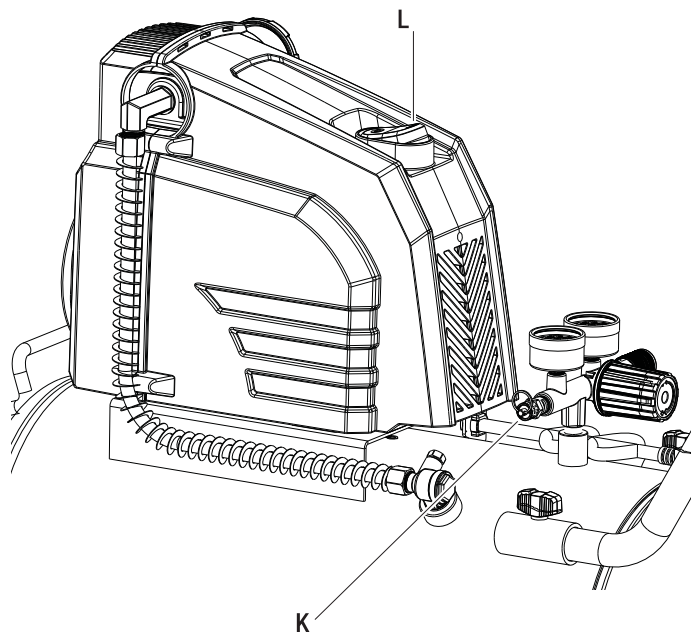
- Encienda el compresor de aire y espere a que el tanque se llene. El compresor se apagará automáticamente cuando la presión alcance el máximo prefijado.
- Apague el compresor de aire.
- Hale el anillo en la válvula de seguridad (K) durante 20 segundos para liberar el aire.
- Suelte el anillo. El aire deja de escapar a aproximadamente 40-100 PSI. Si la válvula de seguridad no para de esparcir aire entre 40-100 PIS, descontinúe su uso, y busque servicio antes de usar de nuevo el compresor.




**PELIGRO:** No haga alteraciones con la válvula de seguridad. Los artículos aflojados de este dispositivo pueden volar y golpearlo. No respetar esta advertencia puede resultar en la muerte o lesiones personales graves. La válvula de seguridad automáticamente libera aire cuando la presión del receptor supera el máximo prefijado. Revise la válvula.



**ADVERTENCIA:** El aire se fuga después de soltar el anillo de la válvula de seguridad o si la válvula está atascada. No use el compresor de aire hasta que la válvula de seguridad haya sido reemplazada. El uso del compresor de aire en esta condición podría resultar en lesiones personales graves.

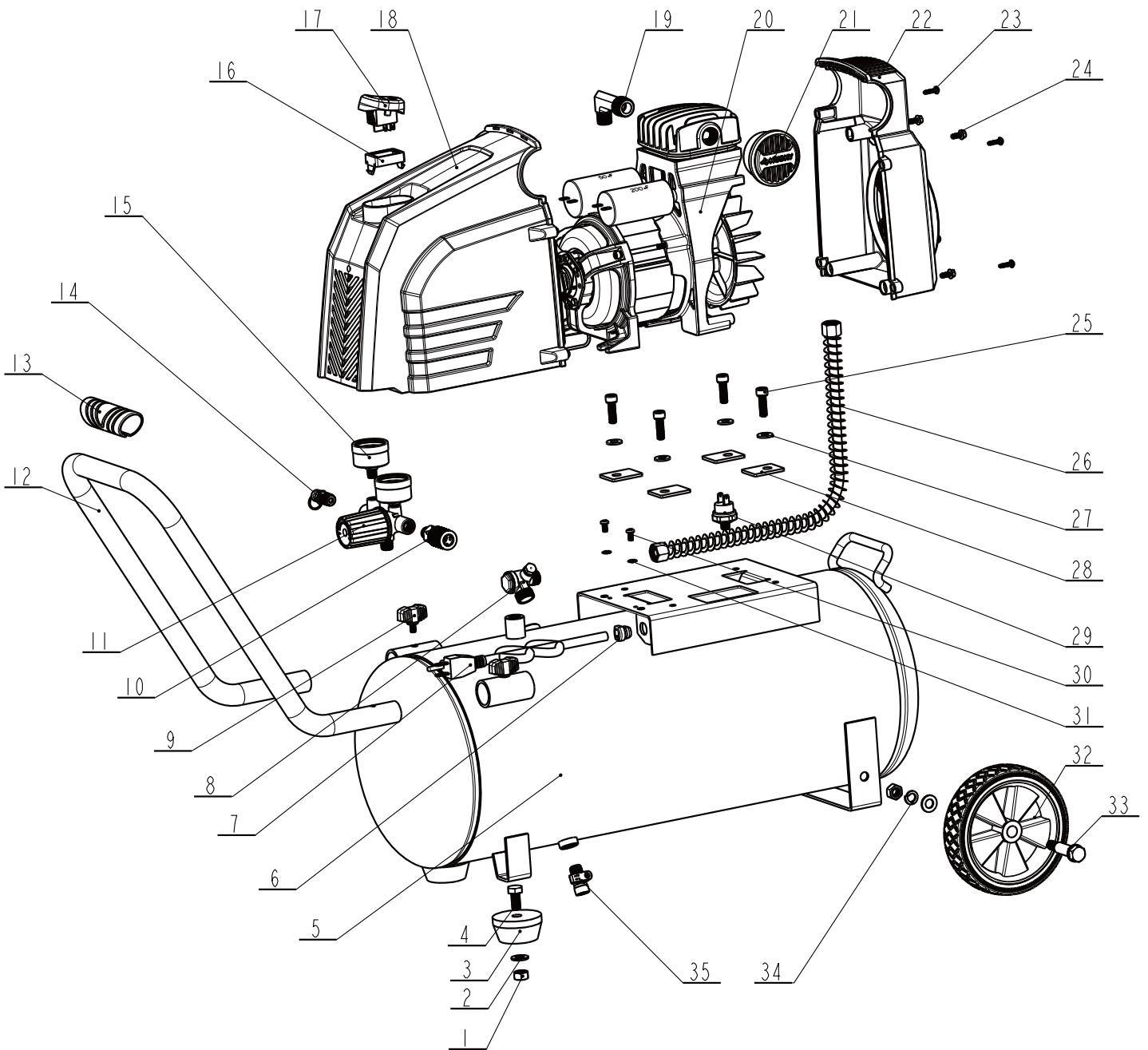


# SOLUCIÓN DE PROBLEMAS

Problem	Possible Cause	Solution
Hay poca presión, aire insuficiente o el compresor no se detiene.	<input type="checkbox"/> La válvula de drenaje del tanque está abierta. <input type="checkbox"/> Hay una fuga en los conectores. <input type="checkbox"/> Hay un uso de aire prolongado o excesivo. <input type="checkbox"/> El compresor no es lo suficientemente grande.  <input type="checkbox"/> Hay un orificio en la manguera de aire comprimido. <input type="checkbox"/> El tanque tiene fugas. <input type="checkbox"/> Los sellos están fundidos. <input type="checkbox"/> La válvula tiene fugas. <input type="checkbox"/> Hay un pistón que tiene fugas o está desgastado.	<input type="checkbox"/> Cierre el tanque y drene la válvula. <input type="checkbox"/> Revise los conectores con agua jabonosa. Apriete o vuelva a sellar los conectores con fugas. <b>NO APRIETE DEMASIADO.</b> <input type="checkbox"/> Disminuya la cantidad de aire usado. <input type="checkbox"/> Verifique el requisito de aire o el accesorio. Si es más alto que los m3/min y la presión suministrada por el compresor, necesitará un compresor más grande. La mayoría de los accesorios están clasificados para el 25% de los m3/min reales que se utilizan durante el funcionamiento continuo. <input type="checkbox"/> Revise y reemplace si es necesario. <input type="checkbox"/>  <b>WARNING:</b> Reemplace inmediatamente el tanque.  <input type="checkbox"/> Reemplace el ensamble del compresor. <input type="checkbox"/> Reemplace el ensamble del compresor. <input type="checkbox"/> Reemplace el ensamble del compresor.
Hay una fuga de aire en el regulador o el regulador no regula la presión de aire.	<input type="checkbox"/> Las piezas internas del regulador están sucias o dañadas.	<input type="checkbox"/> Reemplace el regulador o las piezas internas del mismo.
La lectura en el indicador de presión regulado baja cuando se usa el accesorio de aire.	<input type="checkbox"/> Esto es normal. <input type="checkbox"/> El compresor no es lo suficientemente grande.	<input type="checkbox"/> Si la presión baja demasiado, regule el regulador mientras usa el accesorio. <input type="checkbox"/> Verifique el requisito de aire o el accesorio. Si es más alto que los m3/min y la presión suministrada por el compresor, necesitará un compresor más grande. La mayoría de los accesorios están clasificados para el 25% de los m3/min reales que se utilizan durante el funcionamiento continuo.
La válvula de descarga de presión se abre.	<input type="checkbox"/> La presión del tanque excede la clasificación de presión normal. <input type="checkbox"/> El interruptor de presión está atascado.	<input type="checkbox"/> Reemplace el interruptor de presión. <input type="checkbox"/> Reemplace el interruptor de presión.
El motor no funciona.	<input type="checkbox"/> La presión del tanque excede el límite preestablecido del interruptor de presión. <input type="checkbox"/> The fuse is blown or the circuit breaker tripped.  <input type="checkbox"/> La válvula de verificación está atascada en la posición abierta. <input type="checkbox"/> El calibre del cable en la extensión no es el correcto o la extensión eléctrica es demasiado larga. <input type="checkbox"/> Hay conexiones eléctricas sueltas. <input type="checkbox"/> La protección contra sobrecarga térmica del motor se desconectó.  <input type="checkbox"/> El motor, el capacitor o la válvula de seguridad tienen fallas.	<input type="checkbox"/> El motor arrancará automáticamente cuando la presión del tanque esté por debajo de la presión de activación. <input type="checkbox"/> Reemplace el fusible fundido o restablezca el interruptor de circuito. No use un fusible o interruptor de circuito con un circuito más alto. Verifique que usa el fusible adecuado; se acepta el fusible tipo T. Verifique si hay una baja de voltaje y asegúrese de que la extensión eléctrica sea del tamaño adecuado. Desconecte otras aplicaciones del circuito. Use el compresor en un circuito separado. <input type="checkbox"/> Retire y limpie o reemplace.  <input type="checkbox"/> Verifique que el cable sea del calibre correcto y asegúrese de que la extensión eléctrica tenga el largo adecuado.  <input type="checkbox"/> Póngase en contacto con un centro de servicio autorizado. <input type="checkbox"/> Apague la compresora de aire, desenchufe el cable de alimentación y espere hasta que el motor se haya enfriado. Enchufe el cable de alimentación solo después de que el motor se haya enfriado, y espere al menos 5 minutos para asegurarse de que el protector contra sobrecarga térmica se haya recuperado. <input type="checkbox"/> Haga que un técnico calificado dé mantenimiento al compresor.

# Piezas de servicio

## VISTA ESQUEMÁTICA



## Piezas de repuesto

### LISTA DE PARTES

Pieza	Descripción	Cantidad
1	Tuerca, cabeza hexagonal, M10	4
2	Arandela, plana de $\Phi 10$	4
3	Pie de goma	2
4	Tornillo, cabeza hexagonal, M10x20	2
5	Tanque, 8 gal	1
6	Tuerca de anclaje	1
7	Cable de alimentación	1
8	Válvula de retención	1
9	Tornillo de mariposa	2
10	Acoplador rápido	1
11	Regulador	1
12	Manija	1
13	Agarre de la manija	1
14	Válvula de drenaje	1
15	Manómetro	2
16	Virola	1
17	Interruptor encendido / apagado	1
18	Cubierta delantera	1

Pieza	Descripción	Cantidad
19	Elbow del motor/la bomba	1
20	Motor pump assy	1
21	Filtro de aire	1
22	Cubierta posterior	1
23	Tornillo	4
24	Tornillo	4
25	Tornillo	4
26	Tubo de transferencia	1
27	Arandela, plana de $\Phi 8$	4
28	Pad cojín	4
29	Interruptor de seguridad	1
30	Tornillo	2
31	Arandela $\Phi 10$	2
32	Rueda	2
33	Perno de resalto	2
34	Arandela de seguridad $\Phi 10$	2
35	Válvula de drenaje	1



¿Tiene preguntas, problemas, o faltan piezas? Antes de regresar a la tienda,  
llame a Servicio al Cliente de Husky  
de 8 a.m. a 7 p.m., hora local del Este de lunes a viernes, 9 a.m. a 6 p.m., hora local del Este sábado

**1-888-HD-HUSKY**

**HUSKYTOOLS.COM**

Conserve este manual para uso futuro.