

Installation Guide U.S. Version



Tools & materials required for each application

All Applications

- Mitre saw with a non-ferrous metal cutting blade
- Drill
- Phillips #2 & #3 bits
- Phillips #2 screwdriver
- Socket or wrench set
- Measuring tape
- Pencil

Soft Surfaces

- Post hole digger
 - Shovel
 - Concrete mixing equipment
 - Concrete trowel
 - Dry premixed concrete (per post):
Climate with frost heave - 200 lb.*
Climate without frost heave - 100 lb.*
- *Quantities are estimated. Always check your local codes for post hole size and depth.

Hard Surfaces

- Hammer drill
- Masonry bits:
7/32", 5/16"
- Hammer

Fasteners included by Fence Component

Rail & Picket Kit

5/8" Self-drilling screw



1/2" Self-drilling screw & washer



Hard Surface Post

Concrete anchor



Concrete screw



Pool Gate

1" Self-drilling screw



5/8" Self-tapping screw



Yard Gate

1" Self-drilling screw



Hinge bolt



Dear Customer,

We'd like to take a moment to say "thank you and congratulations" for choosing our products. At Peak® your satisfaction is very important to us. That is why we work very hard to provide you with products of exceptional quality, value, and beauty. And that is also why we want to hear from you.

Please contact us with your comments or suggestions at:
quality@peakproducts.com

Or if you prefer, write to us at:

"Customer Care"

**The Peak Group of Companies
P.O. Box 96060
Richmond, B.C. Canada V7A 5J4**

Finally, we'd like to remind you to always work safely. Then, take pride, relax with your family and experience years of enjoyment with Peak® products.

The Peak Group of Companies

WARNING No representation or warranty is given that your particular application of these products complies with relevant building codes or that the fasteners provided or used are appropriate for your application. Consult with professionals and local building officials before beginning work: (i) to ensure compliance with relevant building codes for your application and for your proposed use of fasteners; (ii) to ensure the integrity of the structural components in connection with which these products are to be used; (iii) to identify appropriate safety gear that is to be used during installation; (iv) to ensure that the work area is free from utilities, services and hazards; and (v) to clarify any instructions or warnings that may not be clear. Work in a safe manner wearing protective gear such as gloves, eyewear, headwear, footwear and clothing. When using tools comply with operation manuals and instructions. Installation materials may have sharp edges and could fragment or splinter during or as a result of handling or cutting. Do not use these products in connection with any substance that is or may be harmful or corrosive to the products. Inspect and maintain these products and the structural components that they are used in connection with on a regular basis, using professionals when appropriate.

No member of The Peak Group of Companies (as defined at www.peakproducts.com) shall be liable for any loss or damage resulting from the improper installation or use of this product. In the unlikely event that any member of The Peak Group of Companies becomes liable for any loss or damage, the aggregate liability shall be limited to the retail purchase price of the product.

Peak products and associated materials are protected by patents, designs, copyrights and/or trademarks used under license from Peak Innovations Inc.

⚠ Important Information

- **Maximum post spacing:**

6' 2¼" on center

- **Pool fence compliant***

*Meets 2015 International Swimming Pool and Spa Code. Conditions apply (for details visit www.peakproducts.com/compliance). Complete Aquatine™ system required including Pool Gate (do not use Yard Gate). Building codes may vary. Always understand and comply with your local building codes.

- **For pool fences:**

The opening between pickets, or a picket and a post must not exceed 4".

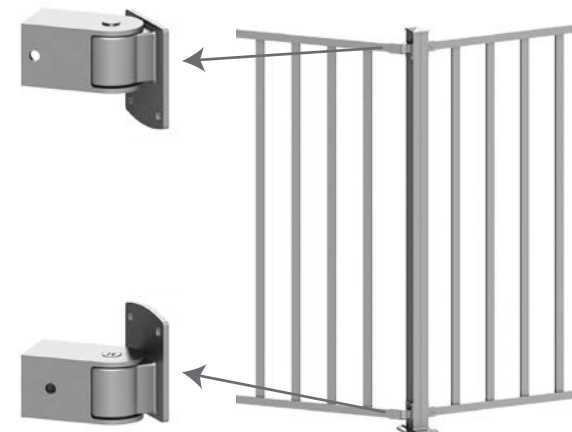
Follow local codes for minimum fence height and other specified requirements.

- **Always understand and comply with your local building codes.**


Angle Bracket Kit (for Picket Panels)

The Angle Bracket Kit (for Picket Panels) makes it easy to connect picket panels at an angle. Angle brackets install the same way as standard brackets.

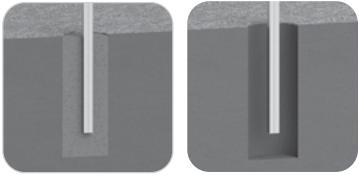
⚠ The opening between pickets, or a picket and post must not exceed 4". Always understand and comply with your local building codes.




PICKET FENCE INSTALLATION (soft surface)

 This symbol indicates important information

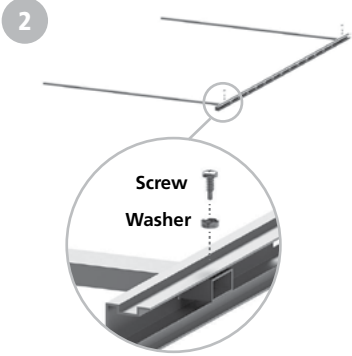
1 **First post** **Second post** Measure and mark the position of all posts and ensure they are aligned. Dig the post holes.



 Always check your local codes for post hole size and depth.

Fence System	Recommended Post Depth	Maximum post spacing
4' height	21"	6' 2 1/4" on center
5' height	27"	

Position the first post in the post hole and brace plumb. Mix and pour concrete into the first post hole. Position and brace the second post in the post hole, but do not pour the concrete yet.




For a 4' H fence:

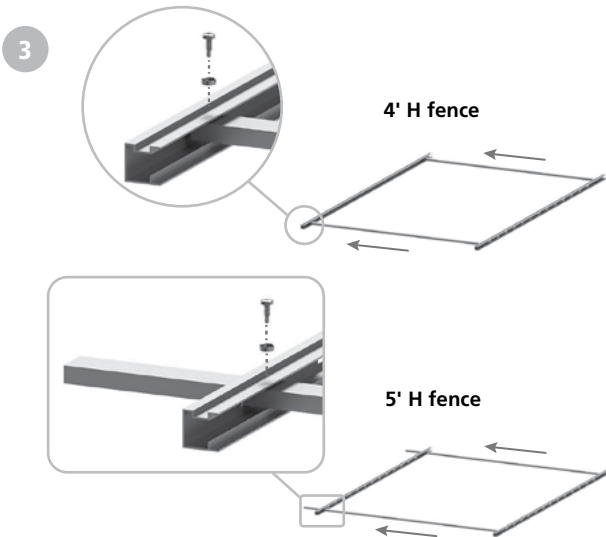
Insert a picket through the first and last square slots at each end of the bottom rail (ensure the screw holes in the rails and pickets are facing up). Align the screw hole in each picket with the screw hole in the bottom rail, then fasten each picket to the rail using 1/2" self-drilling screws and washers (provided).

For a 5' H fence:

Insert a picket through the first and last square slots at each end of the bottom rail (ensure the screw holes in the rails and pickets are facing up).

 Insert the end of the picket that has the screw hole.

Align the screw hole in each picket with the screw hole in the bottom rail, then fasten each picket to the rail using 1/2" self-drilling screws and washers (provided).

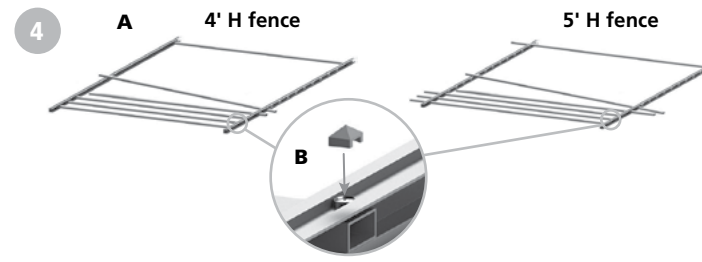


For a 4' H fence:

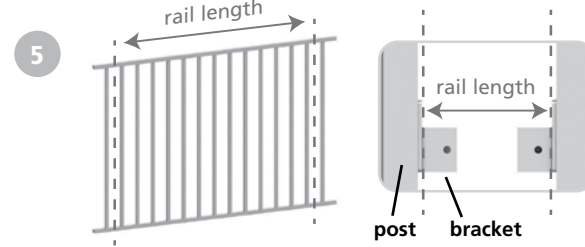
Insert the pickets into each end of the top rail (ensure the screw holes in the rail are facing up). Align the screw hole in each picket with the screw hole in the top rail, then fasten each picket to the rail using 1/2" self-drilling screws and washers (provided).

For a 5' H fence:


Insert the pickets through the first and last square slots at each end of the top rail (ensure the screw holes in the rail are facing up). Align the screw hole in each picket with the screw hole in the top rail, then fasten each picket to the rail using 1/2" self-drilling screws and washers (provided).

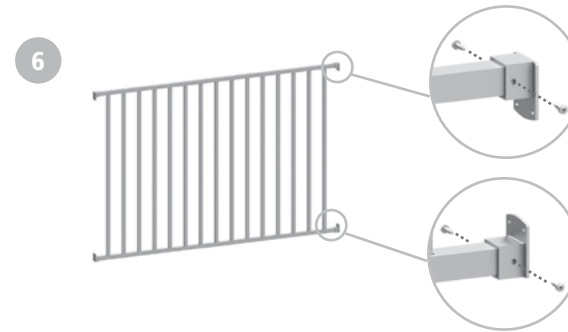


A: Install all remaining pickets and fasten the pickets to the rails using 1/2" self-drilling screws and washers (provided).
B: Snap a cap over each screw head.




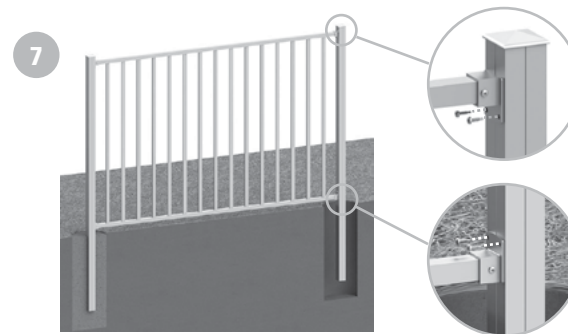
If required, cut the rails to fit between the brackets.

 If you plan to cut the rails before assembling the fence panel, ensure the rails are correctly oriented before cutting.




Install a bracket on each end of both rails and fasten in place with 5/8" self-drilling screws (provided). Ensure the tabs are facing towards the center of the fence panel.

 For pool fences, the opening between a picket and a post must not exceed 4". Always follow your local building codes.



Attach the fence panel to the posts using 5/8" self-drilling screws (provided).


 For pool fences, the opening between the bottom rail and the ground must not exceed 2". Follow local codes for minimum fence height.



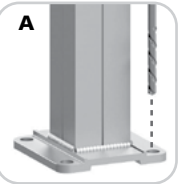
Level and brace the second post. Mix and pour the concrete into the second hole.

Repeat these steps for remaining sections.

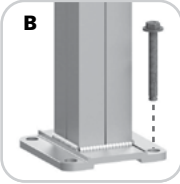
PICKET FENCE INSTALLATION (hard surface)

 This symbol indicates important information

1




A



B

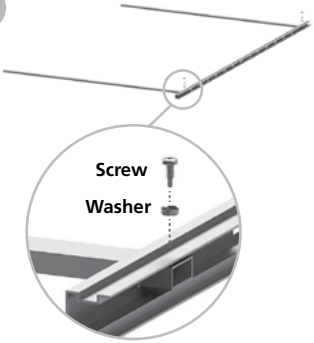
Measure and mark the position of all posts and ensure they are aligned. Put the first post in position.

 Maximum post spacing: 6' 2 1/4" on center.


A: Use a hammer drill with a 5/16" masonry bit to drill four holes 3" deep through each corner of the post base. Clean the holes.

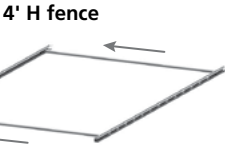
B: Use a hammer to insert assembled concrete anchors until washer is touching post base. Use a 7/16" wrench to tighten the nuts. Ensure post is plumb.

2




For a 4'H fence:
Insert a picket through the first and last square slots at each end of the bottom rail (ensure the screw holes in the rails and pickets are facing up). Align the screw hole in each picket with the screw hole in the bottom rail, then fasten each picket to the rail using 1/2" self-drilling screws and washers (provided).

For a 5'H fence:
Insert a picket through the first and last square slots at each end of the bottom rail (ensure the screw holes in the rails and pickets are facing up).
 Insert the end of the picket that has the screw hole. Align the screw hole in each picket with the screw hole in the bottom rail, then fasten each picket to the rail using 1/2" self-drilling screws and washers (provided).

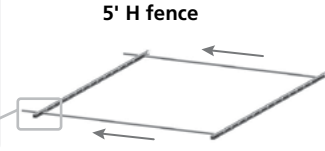


4' H fence



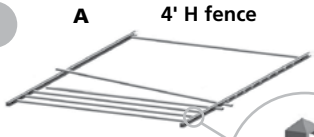
For a 4'H fence:
Insert the pickets into each end of the top rail (ensure the screw holes in the rail are facing up). Align the screw hole in each picket with the screw hole in the top rail, then fasten each picket to the rail using 1/2" self-drilling screws and washers (provided).

For a 5'H fence:
Insert the pickets through the first and last square slots at each end of the top rail (ensure the screw holes in the rail are facing up). Align the screw hole in each picket with the screw hole in the top rail, then fasten each picket to the rail using 1/2" self-drilling screws and washers (provided).

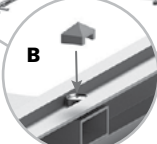


5' H fence

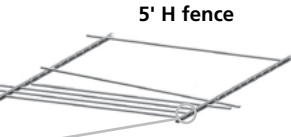
4



A 4' H fence



B

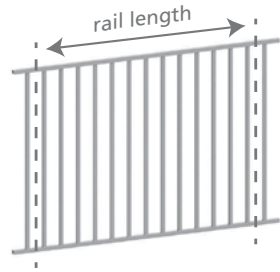


5' H fence

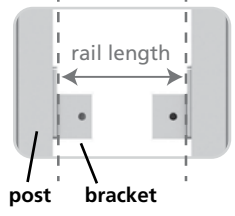
A: Install all remaining pickets and fasten the pickets to the rails using 1/2" self-drilling screws and washers (provided).

B: Snap a cap over each screw head.

5




rail length



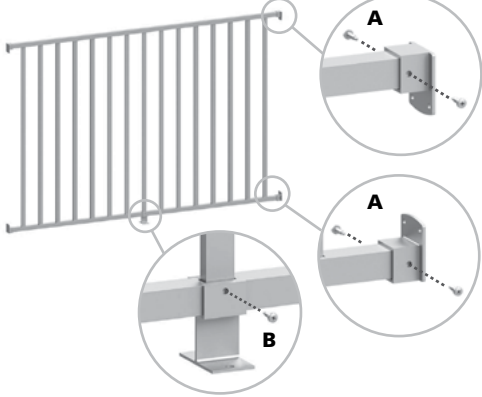
rail length

post bracket

If required, cut the rails to fit between the brackets.

 If you plan to cut the rails before assembling the fence panel, ensure the rails are correctly oriented before cutting.

6




A

B

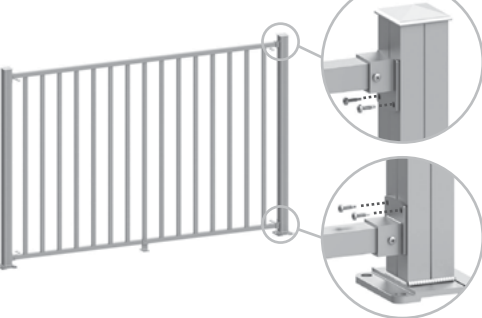
Use 5/8" self-drilling screws (provided) for these steps:

A: Install a bracket on each end of both rails and fasten in place. Ensure the tabs are facing towards the center of the fence panel.


 For pool fences, the opening between a picket and a post must not exceed 4". Always follow your local building codes.

B: Install the bottom rail support at the center of the bottom rail, then fasten in place.

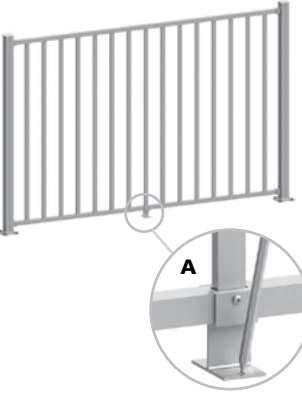
7



Attach the fence panel to the posts using 5/8" self-drilling screws (provided).

 For pool fences, the opening between the bottom rail and the ground must not exceed 2". Follow local codes for minimum fence height.

8



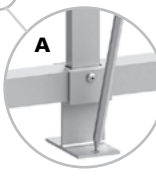
Fasten the second post to the concrete surface (see Step 1). Install bottom rail support:

A: Mark the hole for the concrete screw (provided).

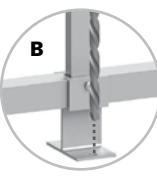
B: Use a hammer drill with a 7/32" masonry bit to drill a 2" deep hole in the concrete surface.

C: Use a 5/16" wrench to install the concrete screw.

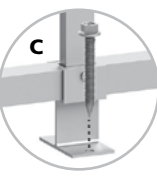
Repeat these steps for remaining sections.



A



B

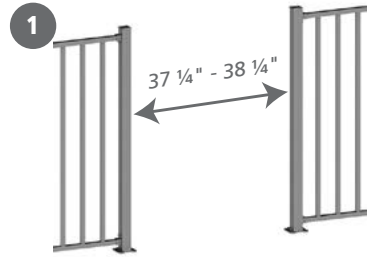


C

POOL GATE INSTALLATION

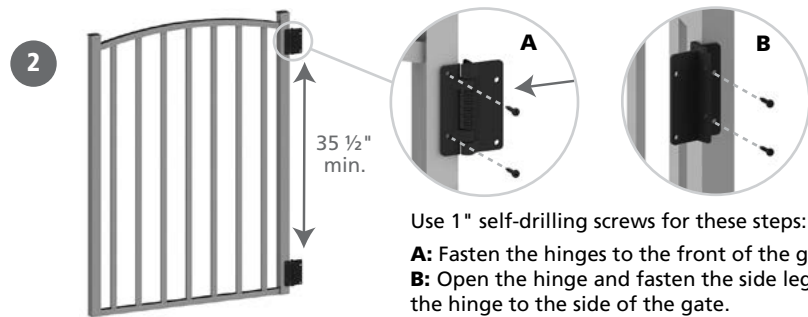
⚠ IMPORTANT: Always understand and comply with your local building codes for access gate requirements:

- Height, clearances, and openings
- Distance between the tops of horizontal members
- Location of the self-latching device above grade
- Swing direction from the pool or spa
- Self-closing
- Other specified requirements



37 1/4" - 38 1/4"

The opening between the fence posts must be 37 1/4" - 38 1/4".

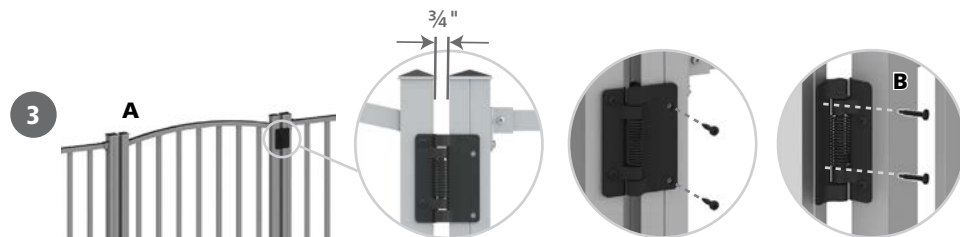


35 1/2" min.

Use 1" self-drilling screws for these steps:

- A:** Fasten the hinges to the front of the gate.
- B:** Open the hinge and fasten the side legs of the hinge to the side of the gate.

⚠ Space hinges at least 35 1/2" apart

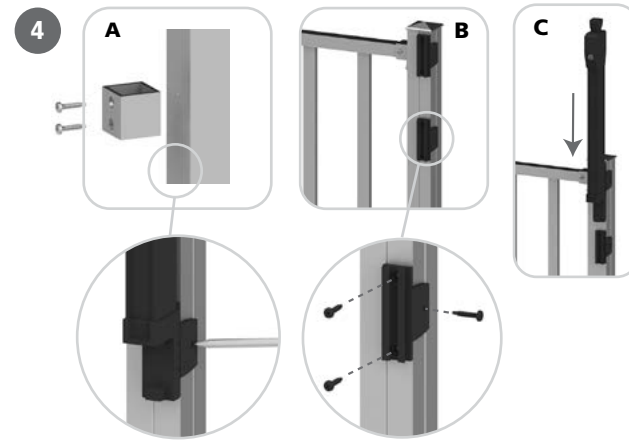


3/4"

Use 1" self drilling screws for these steps:

- A:** Align the bottom of the gate with the bottom of the fence. The gap between the hinge side of the gate and the fence post must be 3/4". Fasten both hinges to the front of the fence post.
- B:** With the gate open, fasten both hinges to the side of the fence post.

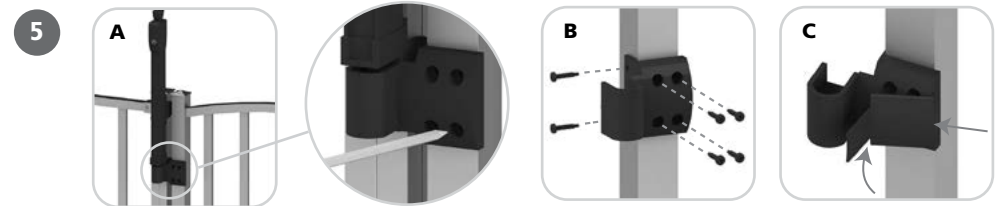
⚠ Follow local codes for swing direction.



A: Position the latch at the required height on the fence post and then mark the location of both latch brackets (maximize distance between brackets).

⚠ Follow local codes for location of the self-latching device above grade.

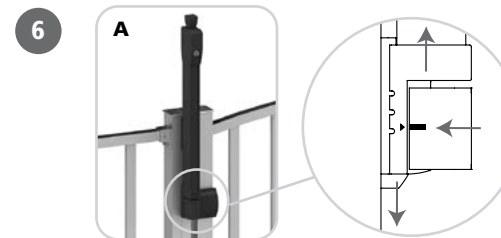
B: Remove the latch, and fasten both latch brackets with 1" self-drilling screws (provided).
C: Slide the latch down onto the tracks of the latch brackets.



A: Position the striker with the bottom of the latch and mark the location of the mounting holes on the gate.

B: Fasten the striker to the gate with 1" self-drilling screws (provided).

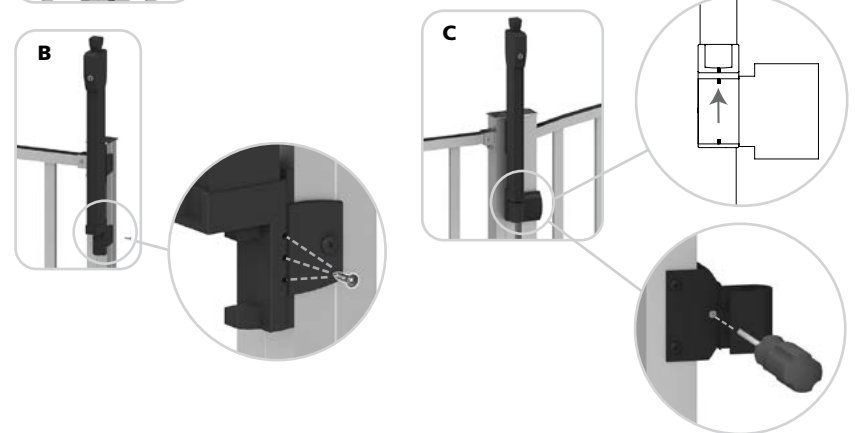
C: Snap the cover onto the front of the striker.



A: Adjust the vertical position of the latch until the marks line up on the latch and striker.

B: Use a Phillips #2 screwdriver to install the self-tapping screw (provided) through the notch most closely centered over a hole in the bracket.
C: Adjust the horizontal position of the striker by using a screwdriver to turn the #2 Phillips screw until the marks line up on the striker and latch.

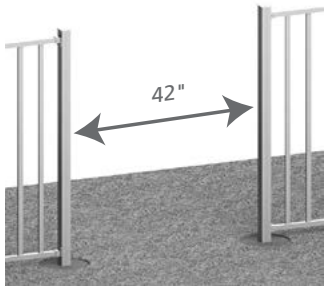
⚠ The gate must be self-closing from any position.



YARD GATE INSTALLATION

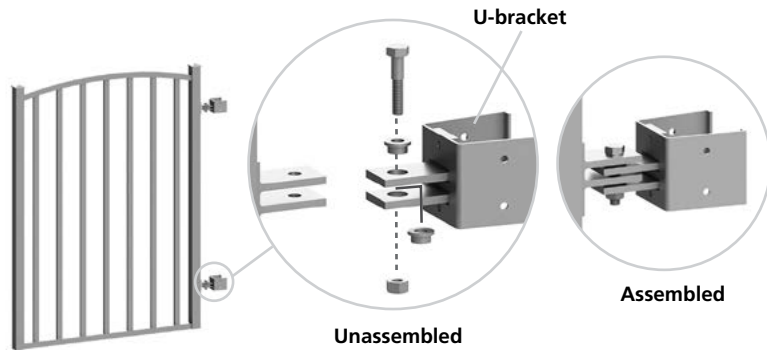
WARNING Do not use for pool or spa applications.

1



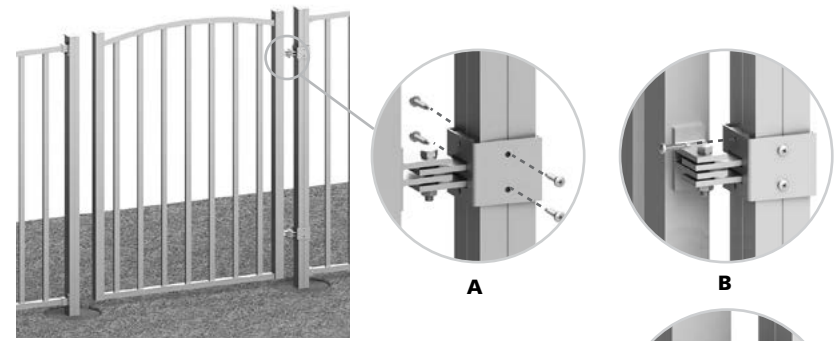
The opening between the fence posts must be 42".

2



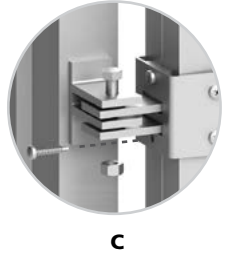
Install each hinge and U-bracket assembly on the gate and secure with bolt, bushings and nut (provided).
For wooden posts only: Do not use the U-bracket.

3A



For Aquatine™ fence posts:

Use 1" self-drilling screws (provided) for these steps:
A: Align the bottom of the gate with the bottom of the fence, then fasten each U-bracket to the fence post.
B: Install the top screw on each hinge
C: Install the bottom screw on each hinge by releasing the bolt (do not completely remove)



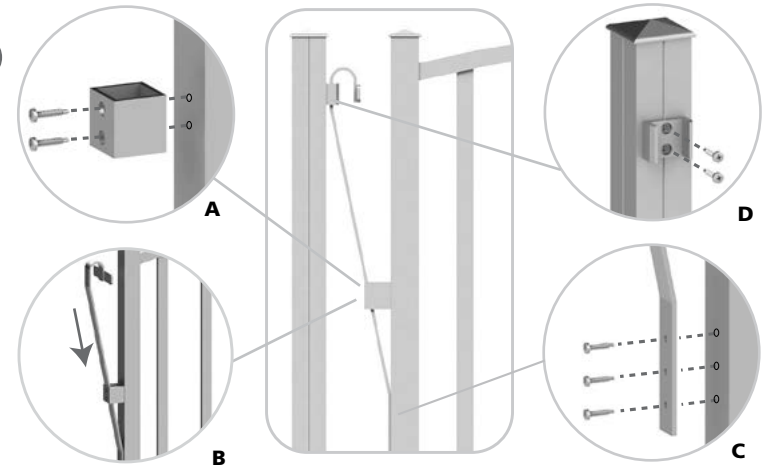
3B



For wooden posts:

Secure each hinge to the fence post (fasteners not provided).

4



Use 1" self-drilling screws (provided) for these steps:

A: Secure the retainer to the gate at the marked position.
B: Insert the latch through the retainer.
C: Secure the latch to the gate at the marked position.
D: Check and mark the position for the latch plate on the fence post. Secure the latch plate to the fence post.

Notes