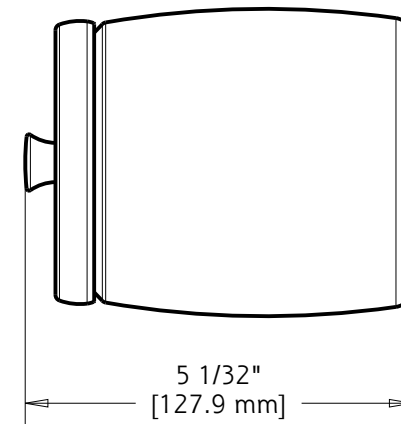
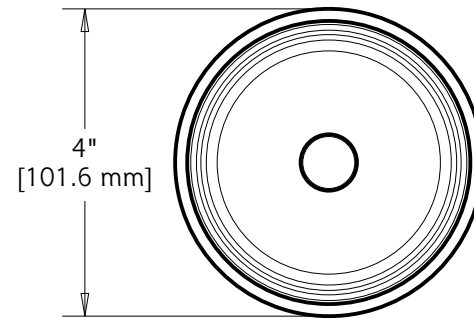


Table Top

HFD JAR ASSEMBLY

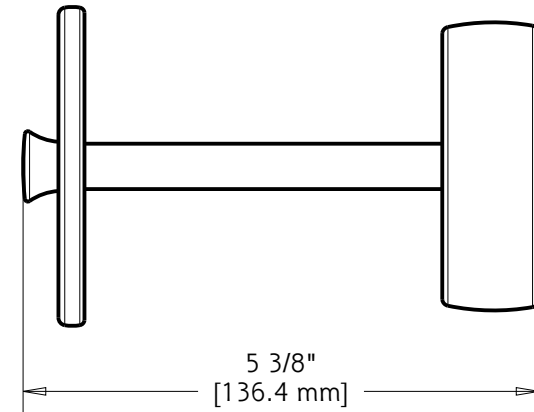
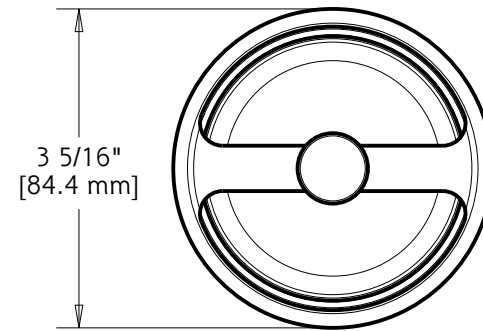
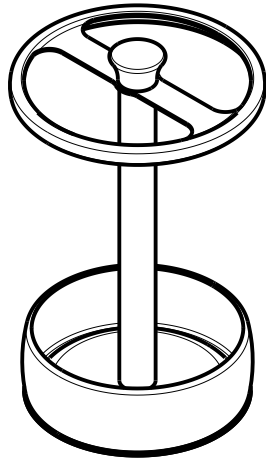


MATERIALS: Jar - Glass
Gasket - Rubber
Lid - Stainless steel
Knob - Zinc die cast
Washer - Steel

SPECIFICATION: Surface mounted HFD Jar shall be model _____
(fill in model number) by Liberty Hardware Manufacturing Corporation.

Table Top

HFD TOOTHBRUSH ASSEMBLY

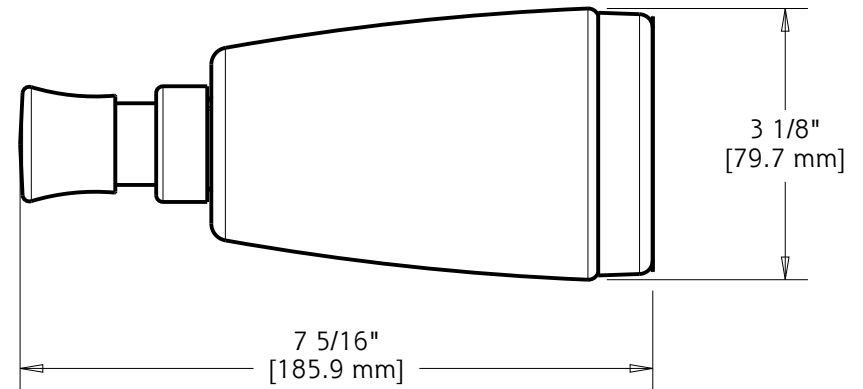
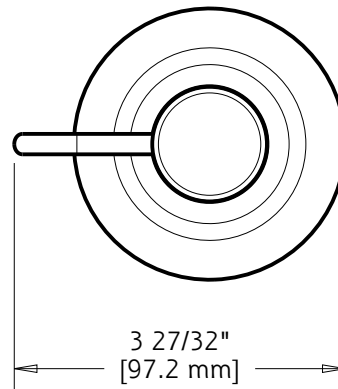
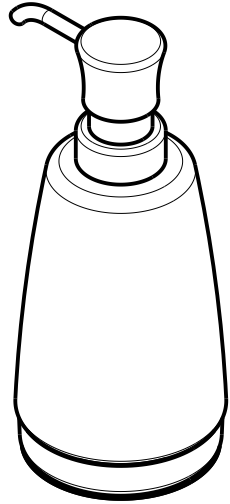


MATERIALS: Cup, Tube, Wheel - Stainless steel
Felt pad - Rubber
Knob - Zinc die cast

SPECIFICATION: Surface mounted HFD Toothbrush shall be model _____
(fill in model number) by Liberty Hardware Manufacturing Corporation.

Table Top

SOAP DISPENSER ASSEMBLY



MATERIALS: Cup - Stainless steel
Bottle - Glass
Top Assembly - PVC
Felt pad - Rubber

SPECIFICATION: Surface mounted Soap Dispenser shall be model _____
(fill in model number) by Liberty Hardware Manufacturing Corporation.