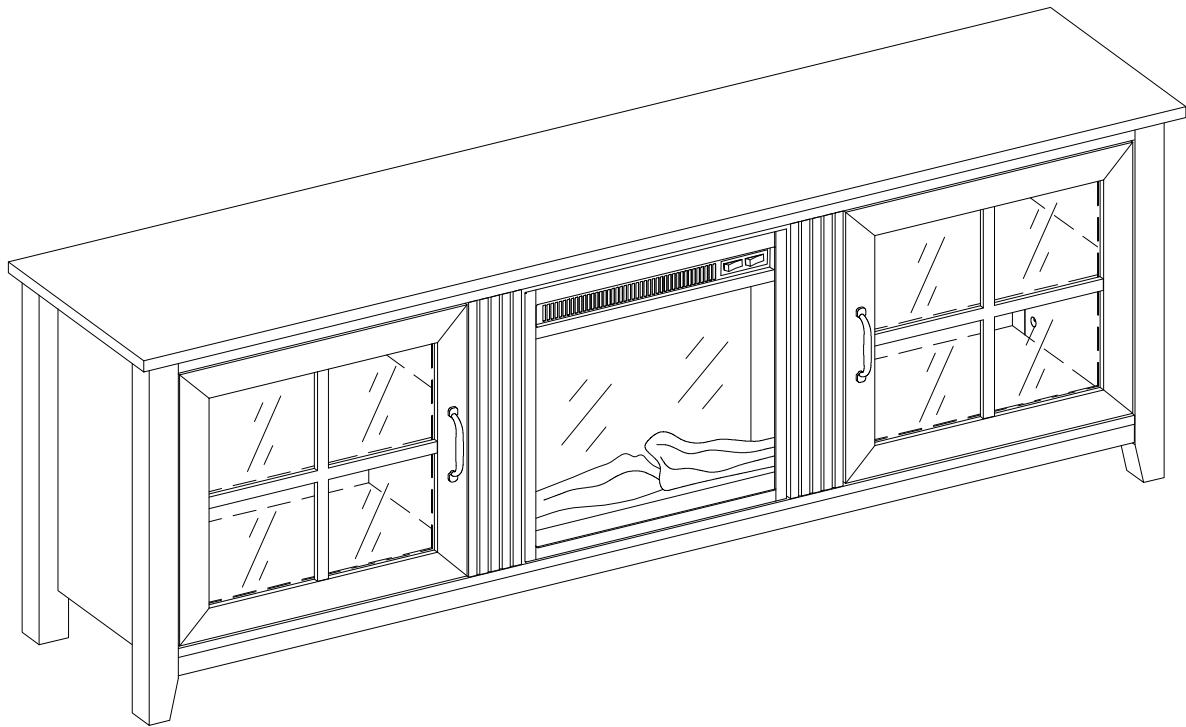


Item # : W70FPSC

Assembly Instructions



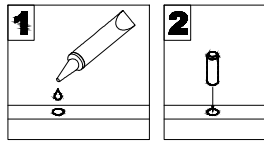
Walker Edison®

Please visit our website for the most current instructions, assembly tips, report damage, or request parts. www.walkerredison.com

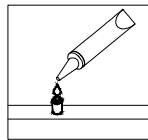
Revised 27/08/2018

General Assembly Guidelines

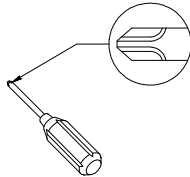
- I. Ensure that all parts and hardware are available before beginning assembly.
- II. Follow each step carefully to ensure the proper assembly of this product.
- III. Two people are recommended for ease in the assembly of this product.
- IV. The three main types of hardware used to assemble this product are : wood dowels , screws and bolts.
- V. The provided glue is to secure wood dowels in place . When first inserting dowels , locate the appropriate hole for the dowel , place a small amount of glue in the hole and insert the dowel . Wipe away excess glue immediately.



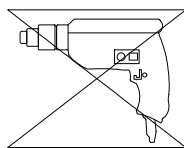
In future assembly steps when dowels are necessary to attach assembly parts together , place a small amount of glue on the end of the dowel before attaching parts together . Wipe away excess glue immediately.



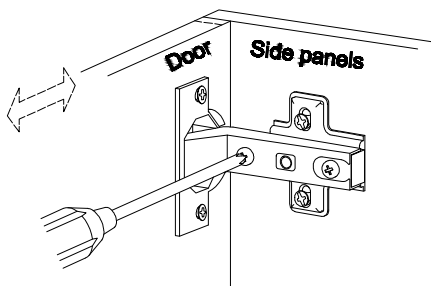
- VI. A Phillips head screwdriver is required for the assembly of this product .



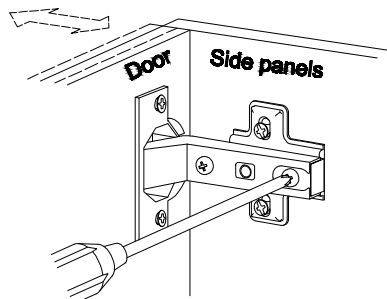
- VII. Power tools should not be used to assemble this product .



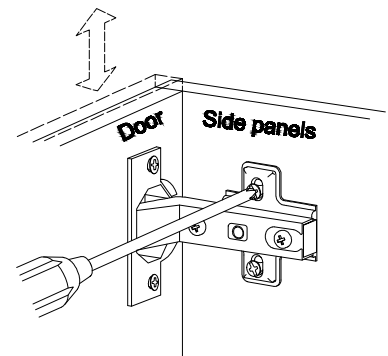
- VIII. Concealed hinges are three-way adjustable.



Horizontal
by screw adjustment

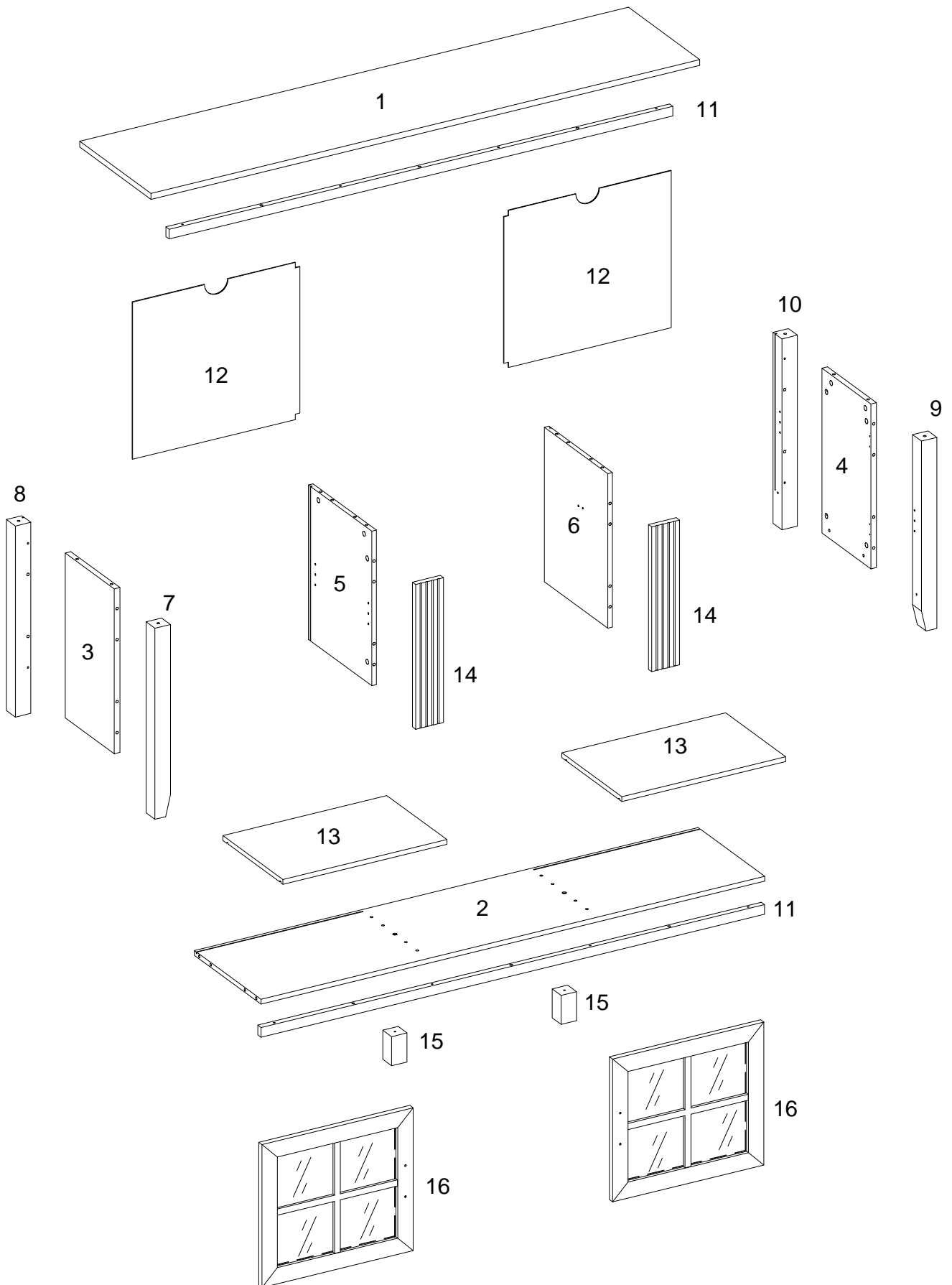


In-and-Out
by loosening the hinge-arm
mounting screw or via cam
adjustment



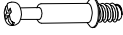

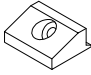

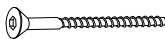



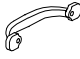

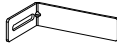
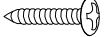
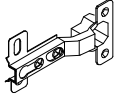
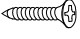
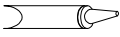
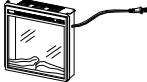


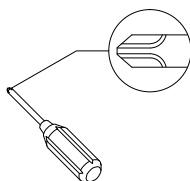
Vertical
Via slots in the mounting
plate or via cam
adjustment

Parts List



Hardware List

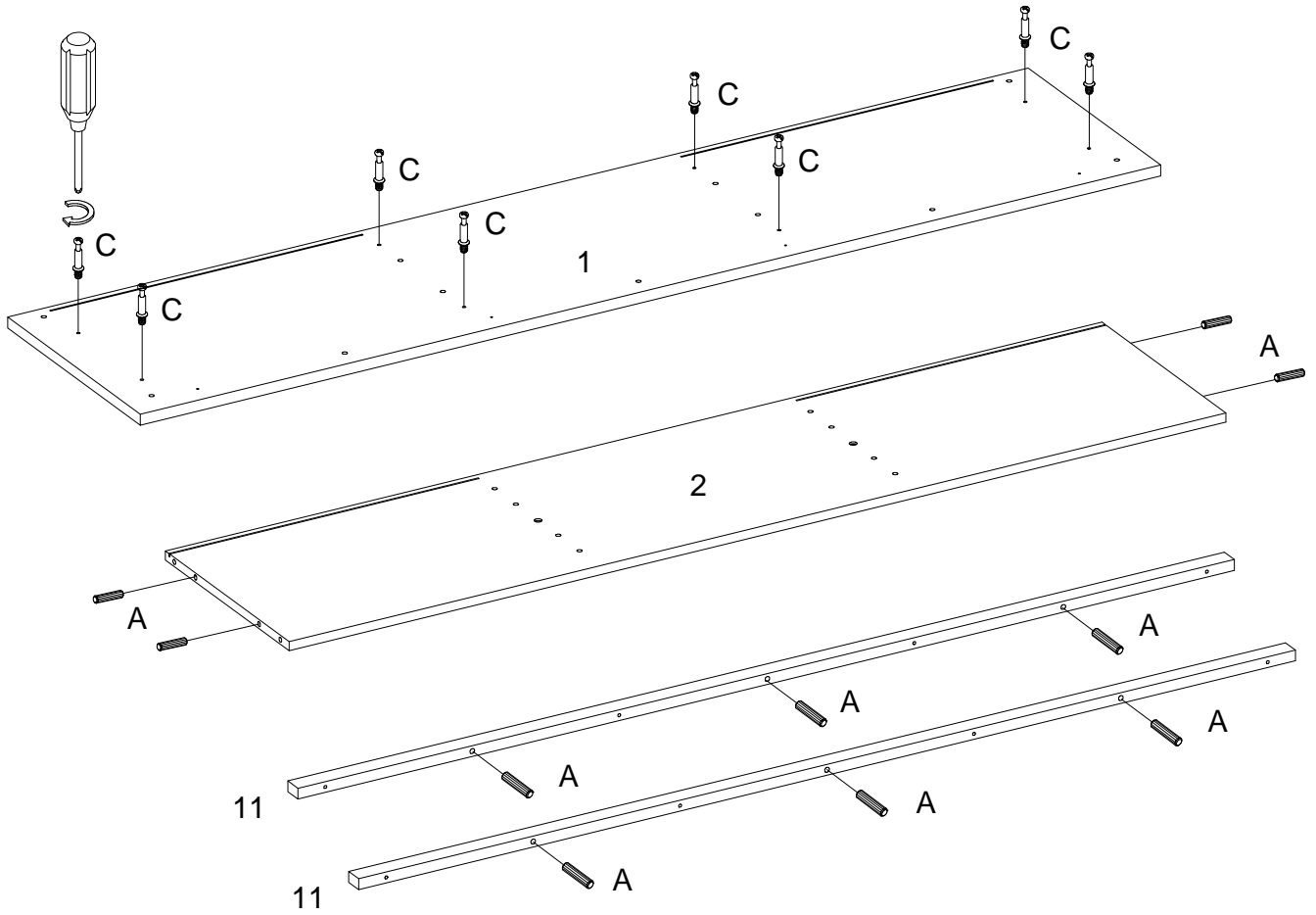
A		Ø8x30mm	Wooden dowel	34 pcs
B		Ø15x11mm	Cam lock	24 pcs
C		Ø6x35mm	Cam bolt	24 pcs
D		Ø30mm	Sticker	24 pcs
E			Plastic wedge	8 pcs
F		Ø3x17	Flat-head screw	8 pcs
G		Ø6x50mm	Bolt	6 pcs
H		Ø5x16mm	Shelf support pin	8 pcs
J		M 4	Hex key	1 pc
K		5/32x25mm	Bolt	4 pcs
L			Handle	2 pcs
M		Ø4x32mm	Screw	8 pcs
N		90x50x20x2	L shape bracket	2 pcs
P		Ø4x12	Screw	4 pcs
Q		Ø35	hinge	4 pcs
R		Ø3.5x15	Screw	16 pcs
S			Glue tube	1 pc
T			Fireplace Insert (F18V66L)	1 pc



Philips head screwdriver required for assembly
(not included)

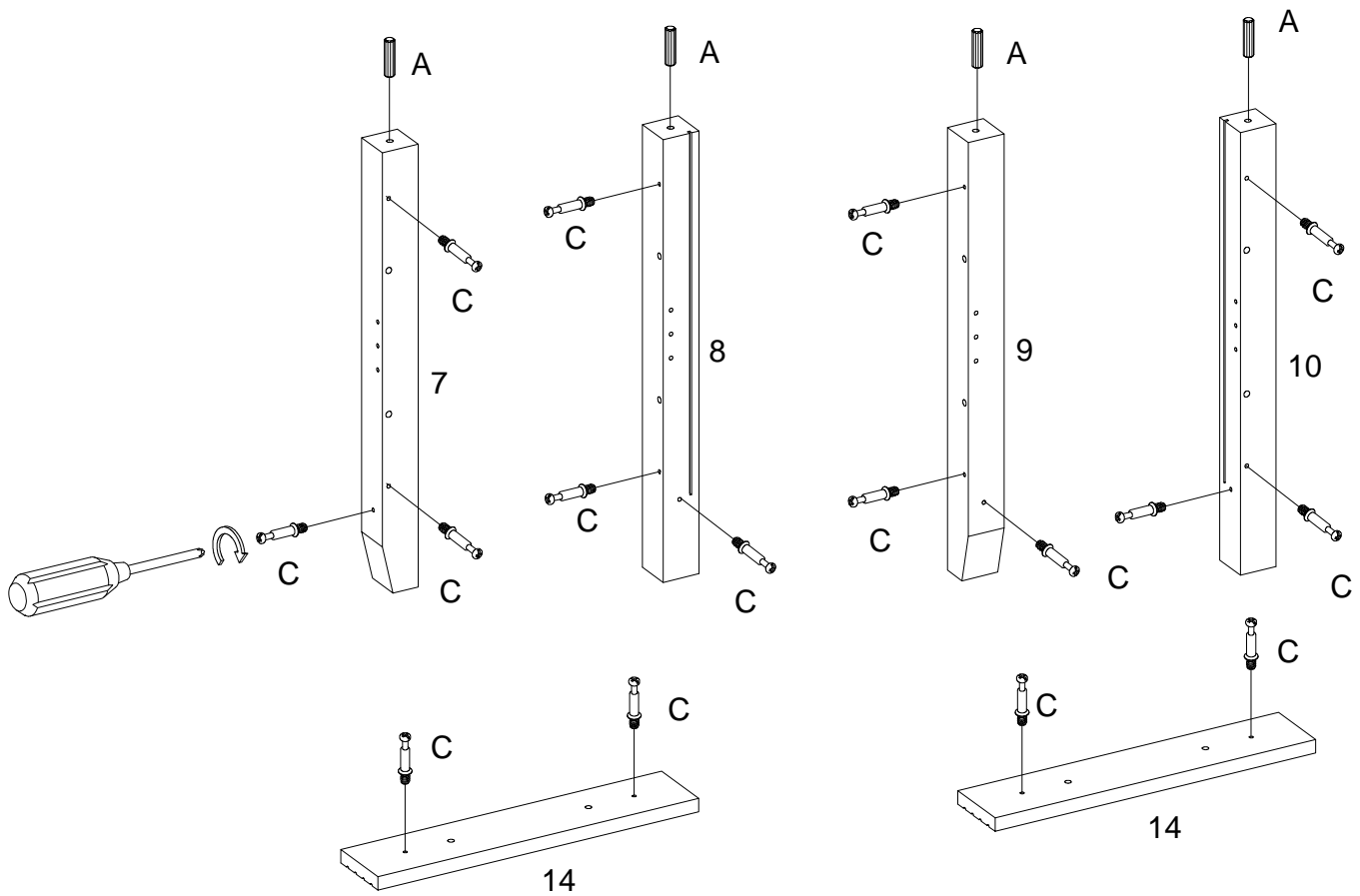
*The hardware quantities listed above are required for proper assembly.
Some extra hardware may also have been included.*

Step 1



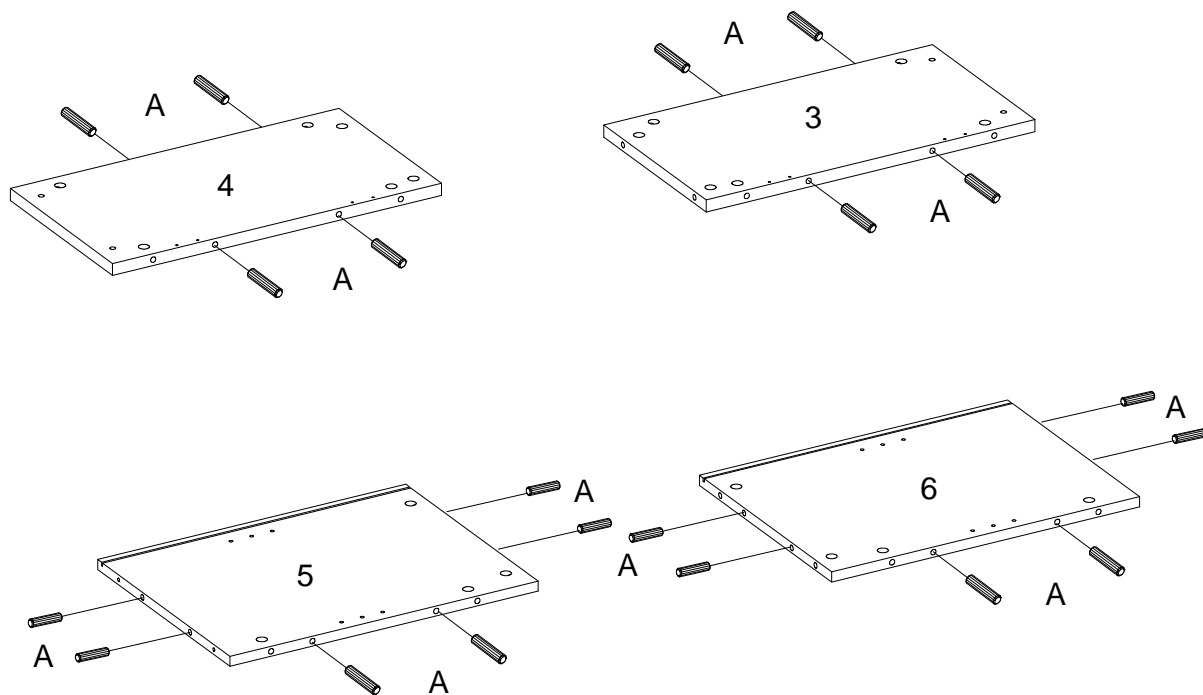
Insert Cam bolt (C) into part (1), insert wooden dowel into part (2,11),

Step 2



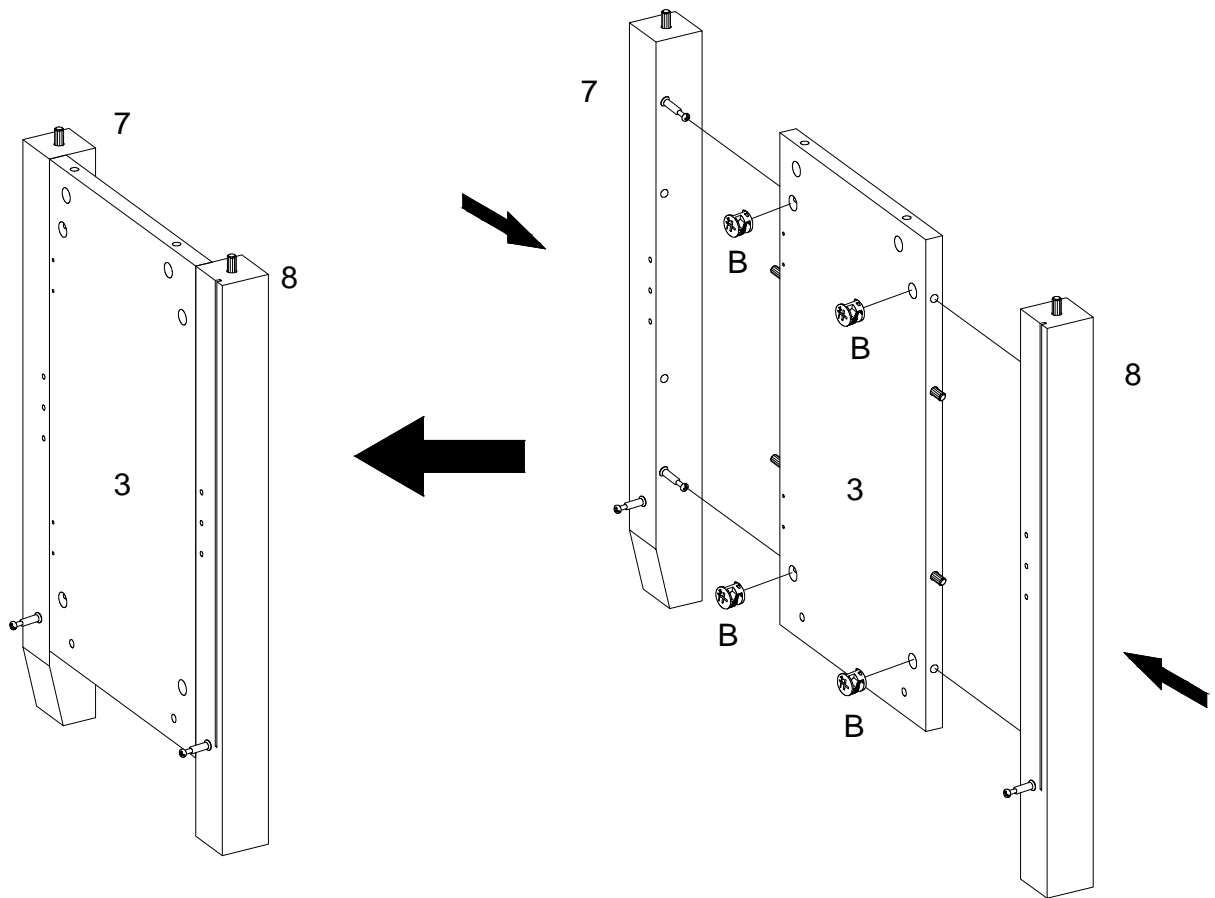
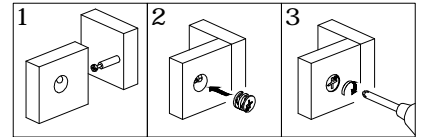
Insert wooden dowel (A) and secure cam bolt (C) with screwdriver into part (7,8,9,10).
Attach cam bolt (C) into part (14) .

Step 3



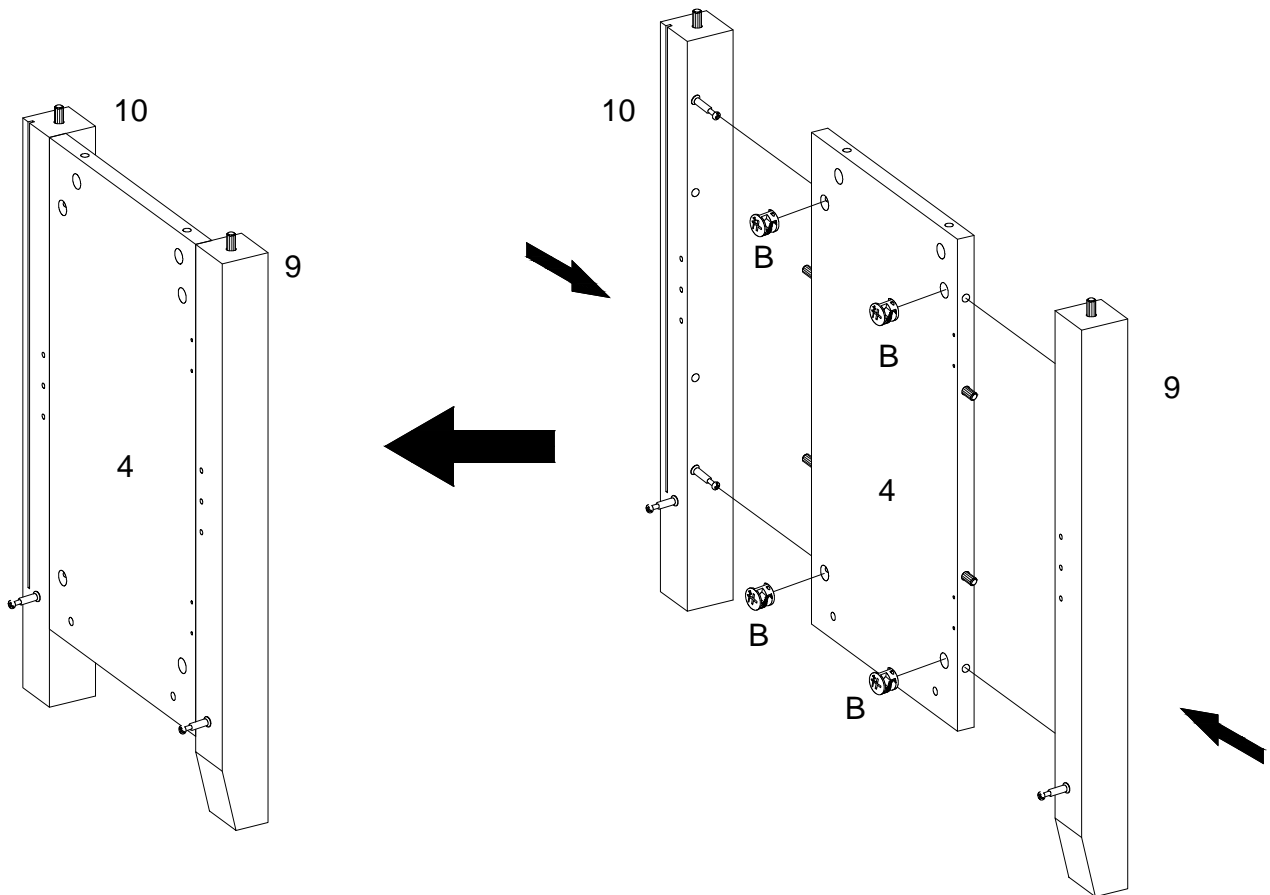
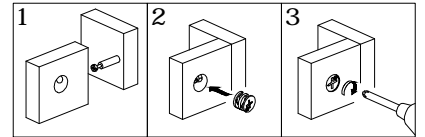
Insert wooden dowel (A) into parts (4,5,6,3)

Step 4



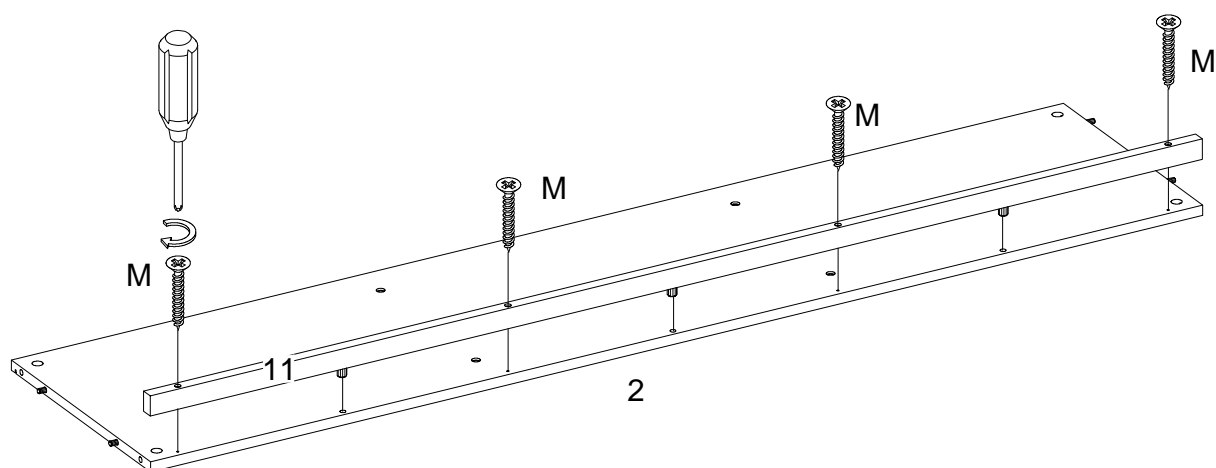
Attach part(7,3,8) by using cam lock (B)

Step 5



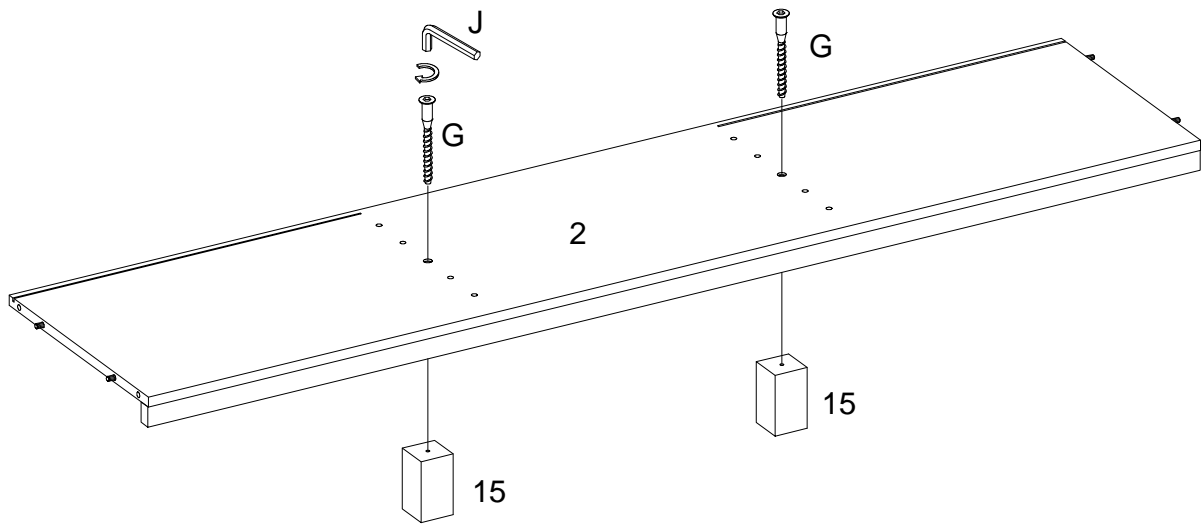
Attach part (10,4,9) by using cam bolts (B)

Step 6



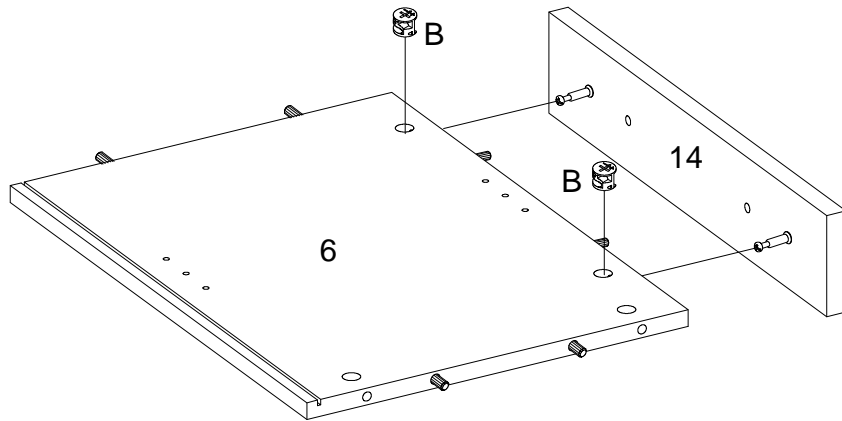
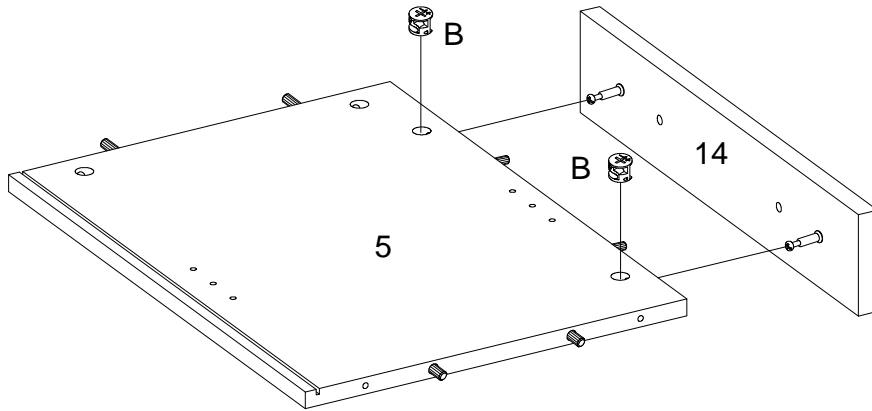
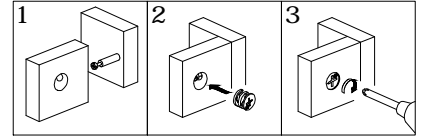
Secure panel 2 to part(11) by using screw (M) with screwdriver.

Step 7



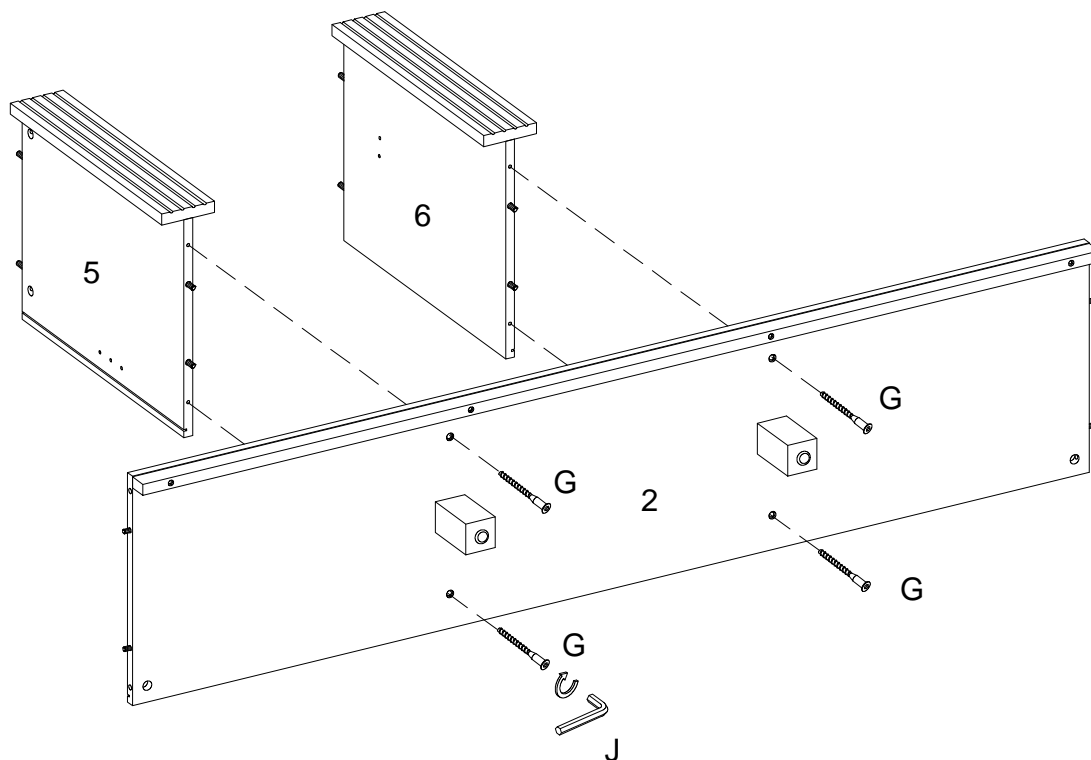
Attach part (15) to part (2) by using bolt (G) with hex key (J).

Step 8



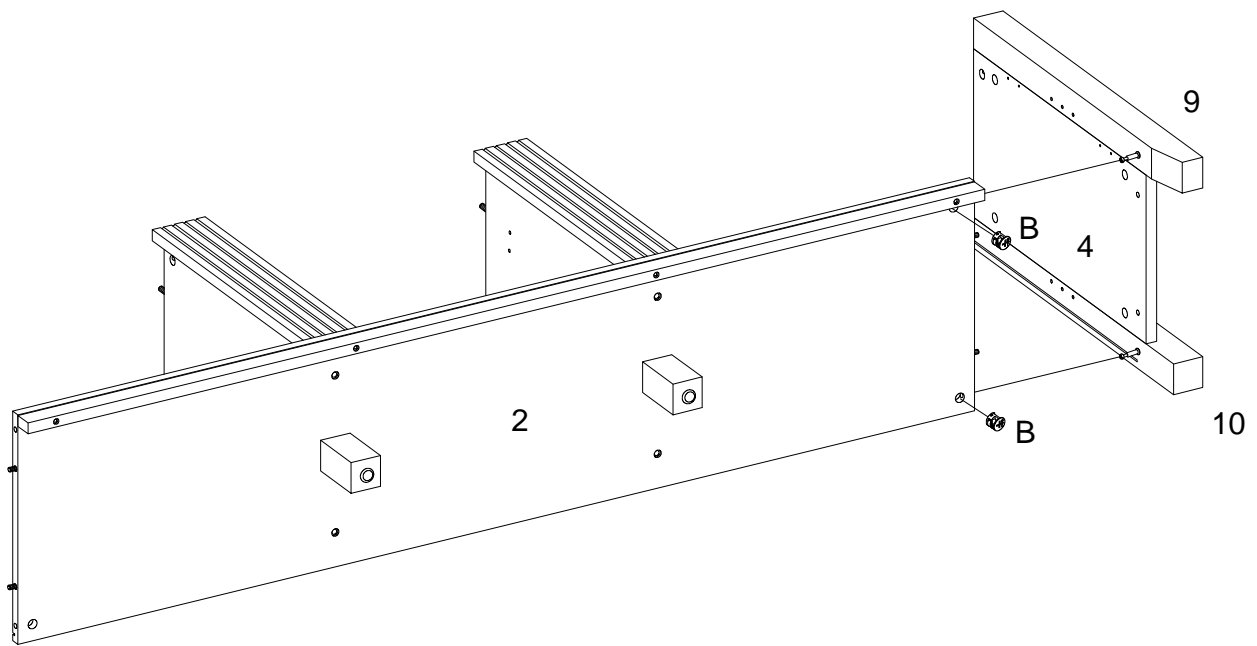
Insert Part(5,6) into part(14) by using cam lock(B) to secure it.

Step 9



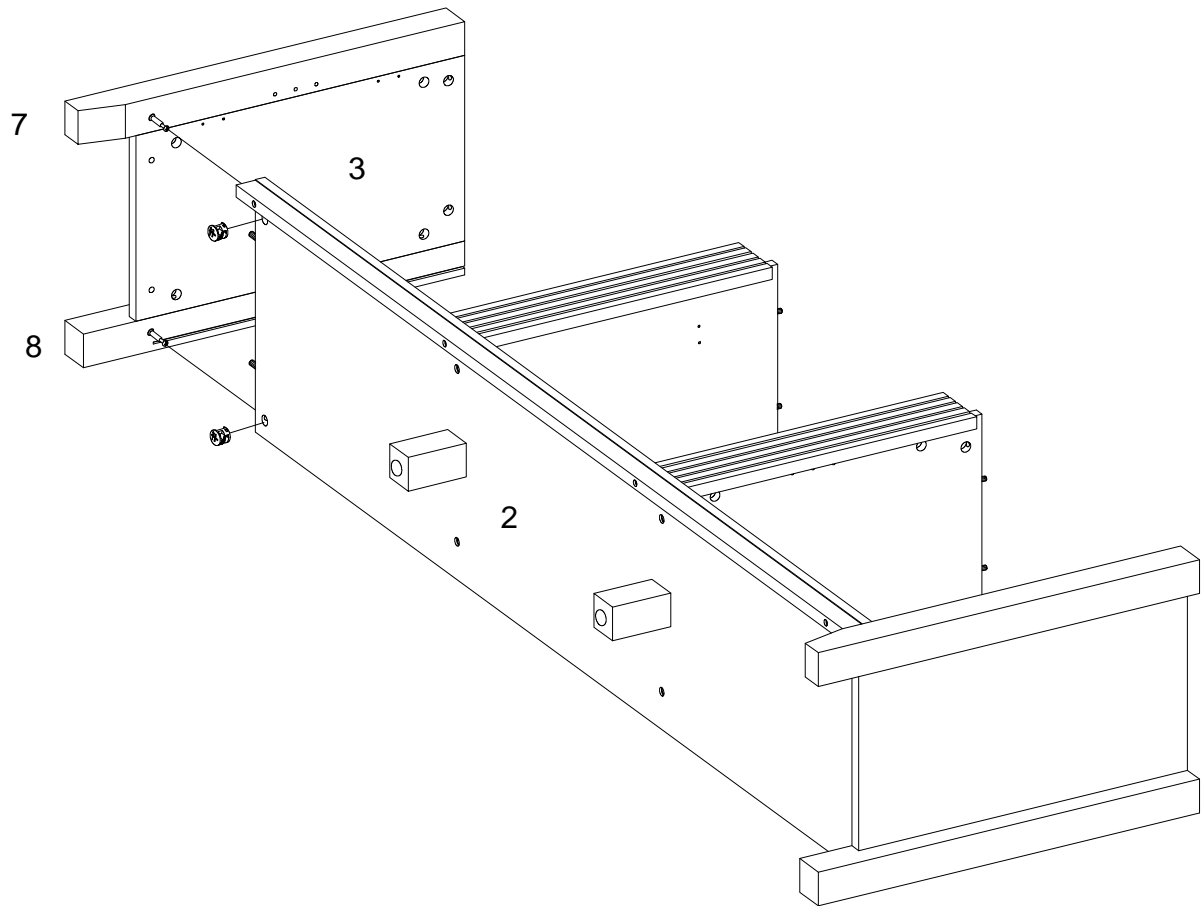
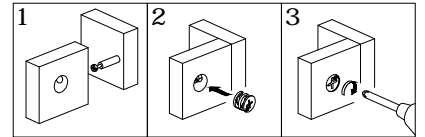
Attach part (2) to part (5,6) using bolt (G) with hex key (J).

Step 10



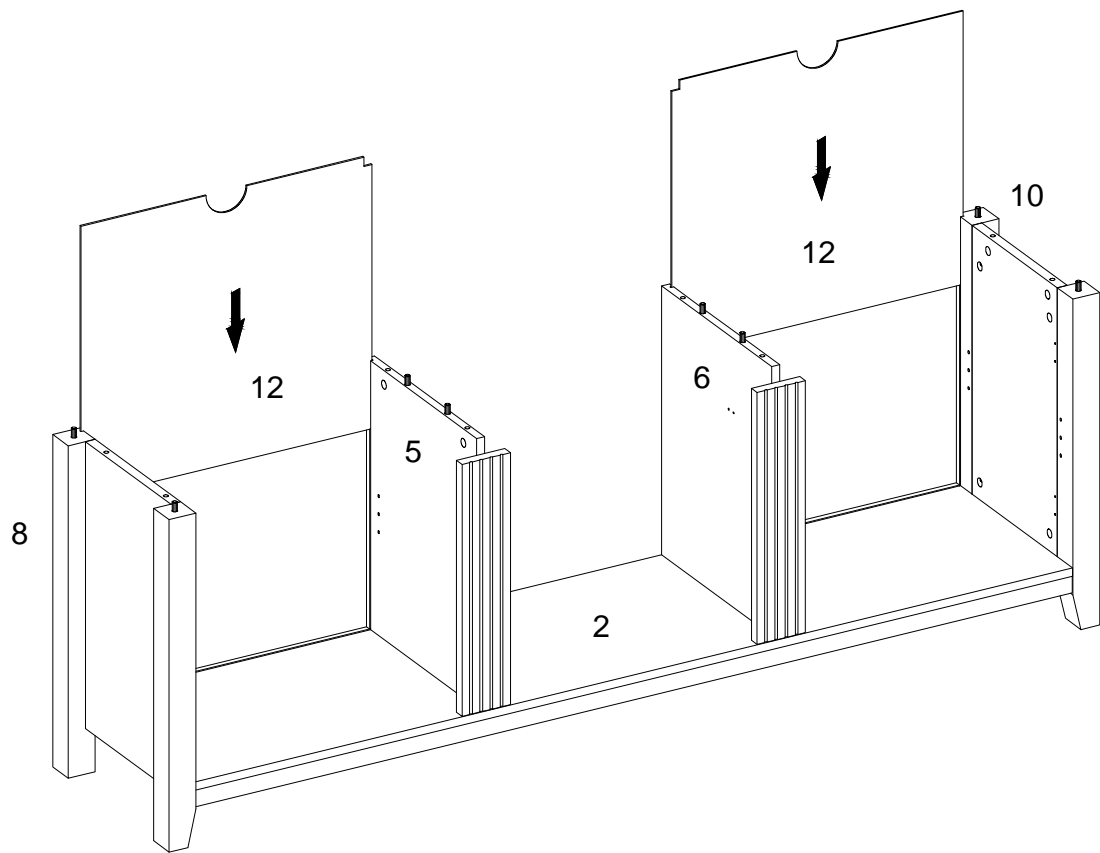
Attach part (9,10) into part (2) and secure cam lock (B) to part (2) to lock it.

Step 11



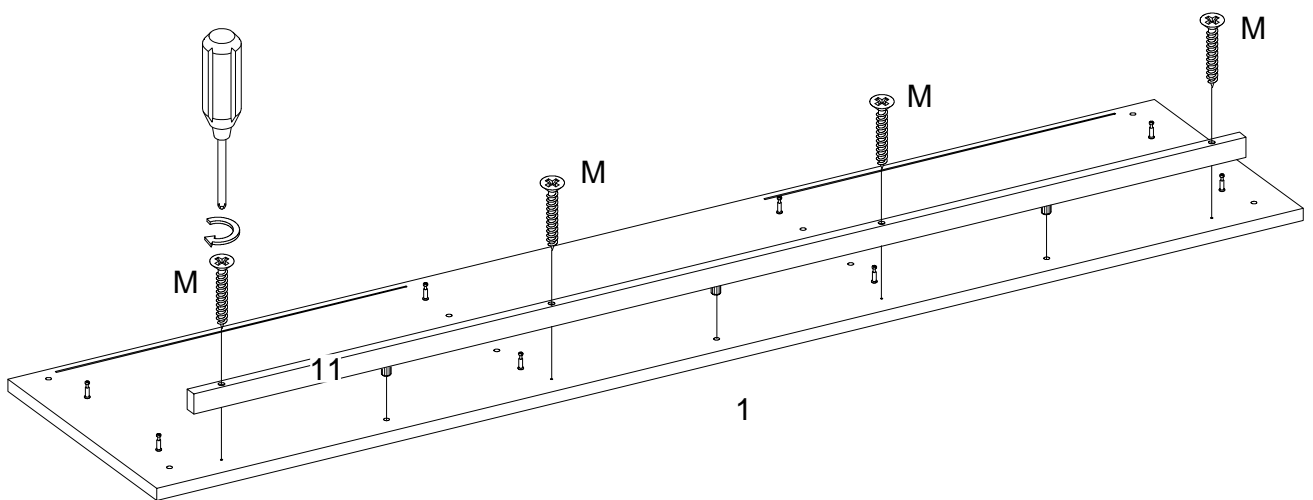
Attach part (7,8) into part (2) and secure cam lock (B) to part (2) to lock it.

Step 12



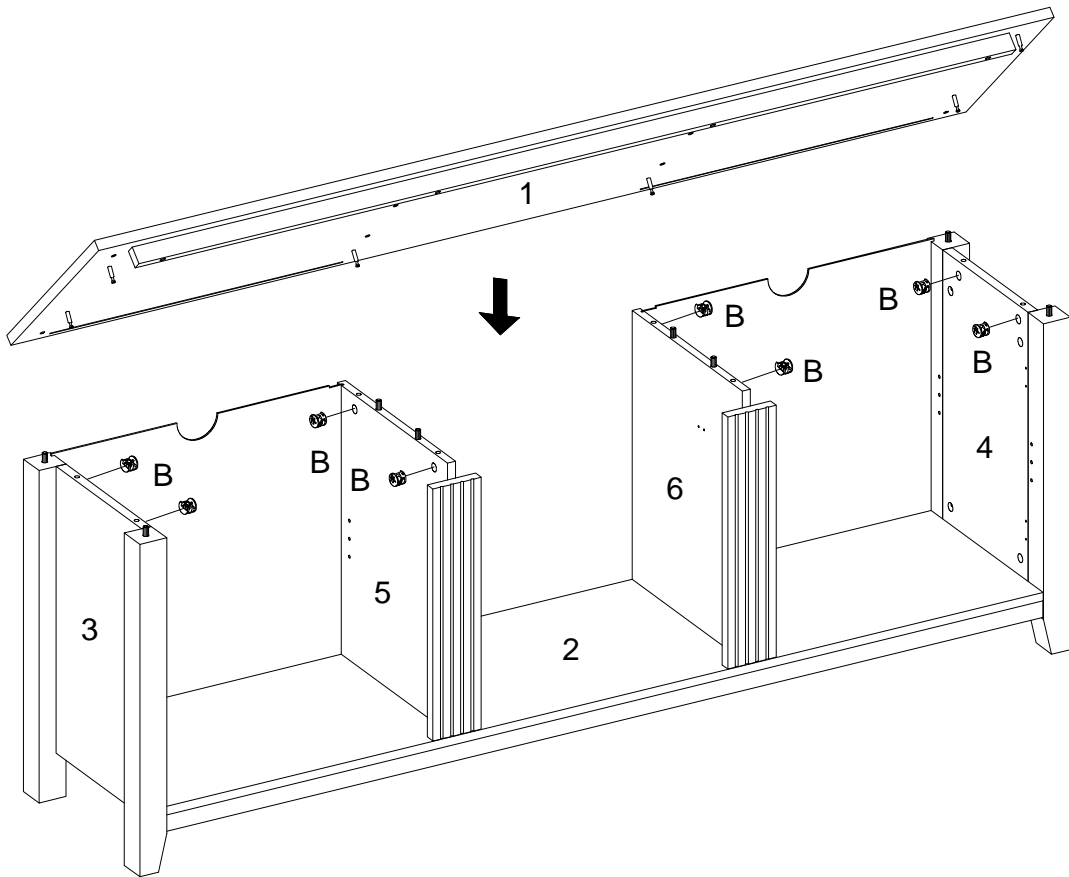
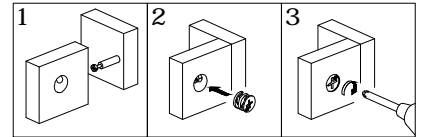
Insert Part(12)into part (8,5,6,10)

Step 13



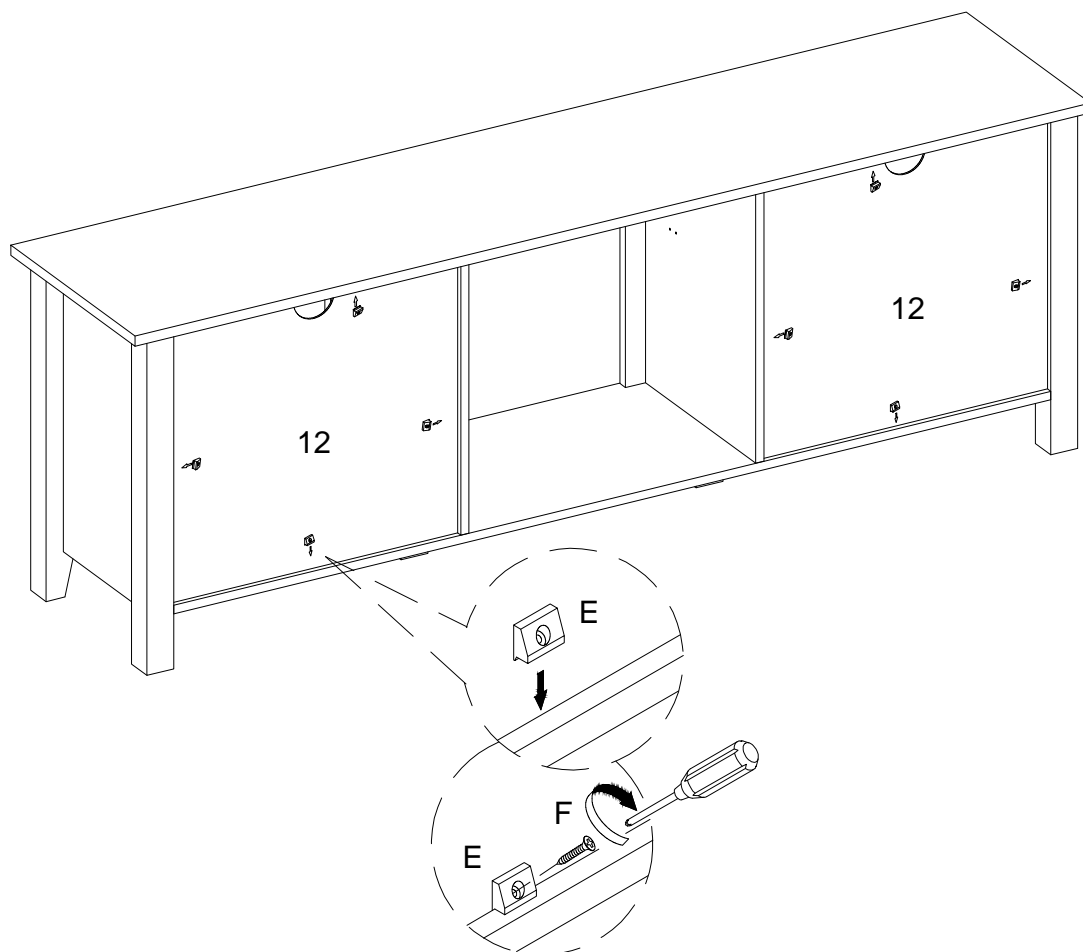
Using screw(M) with screwdriver to secure part (11) into part(1)

Step 14



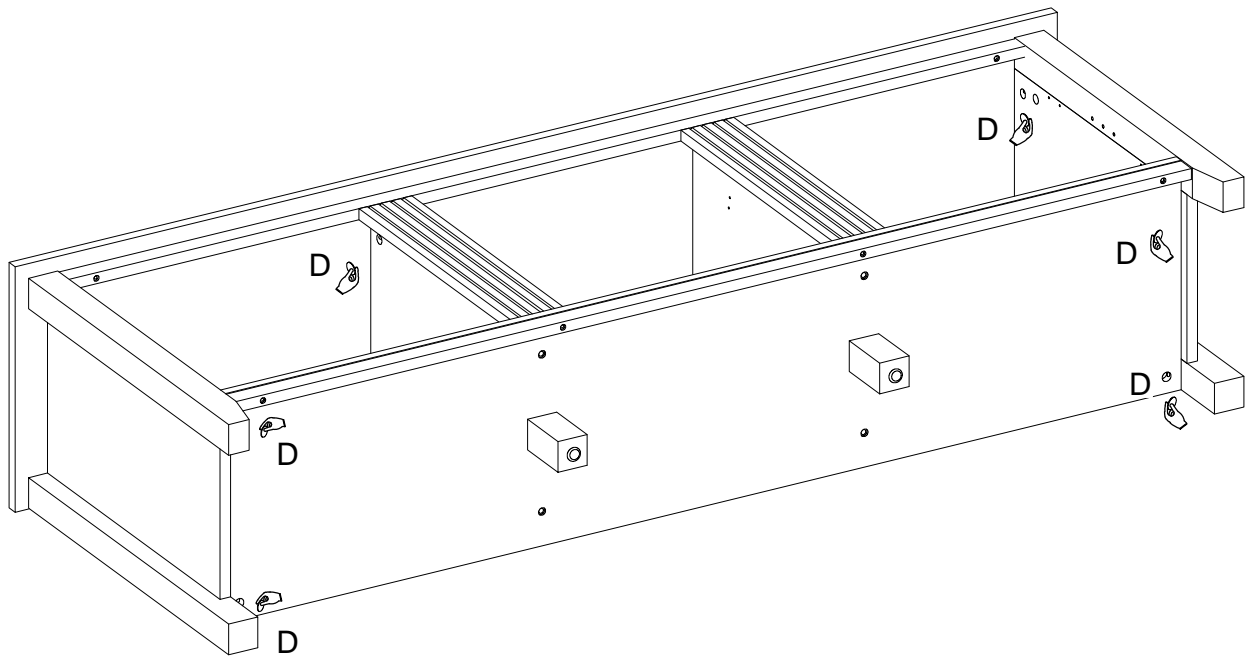
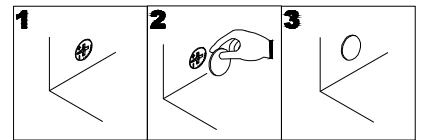
Insert part (1) into part (3,4,5,6), then insert and secure cam lock (B) to part (3,4,5,6) to lock it

Step 15



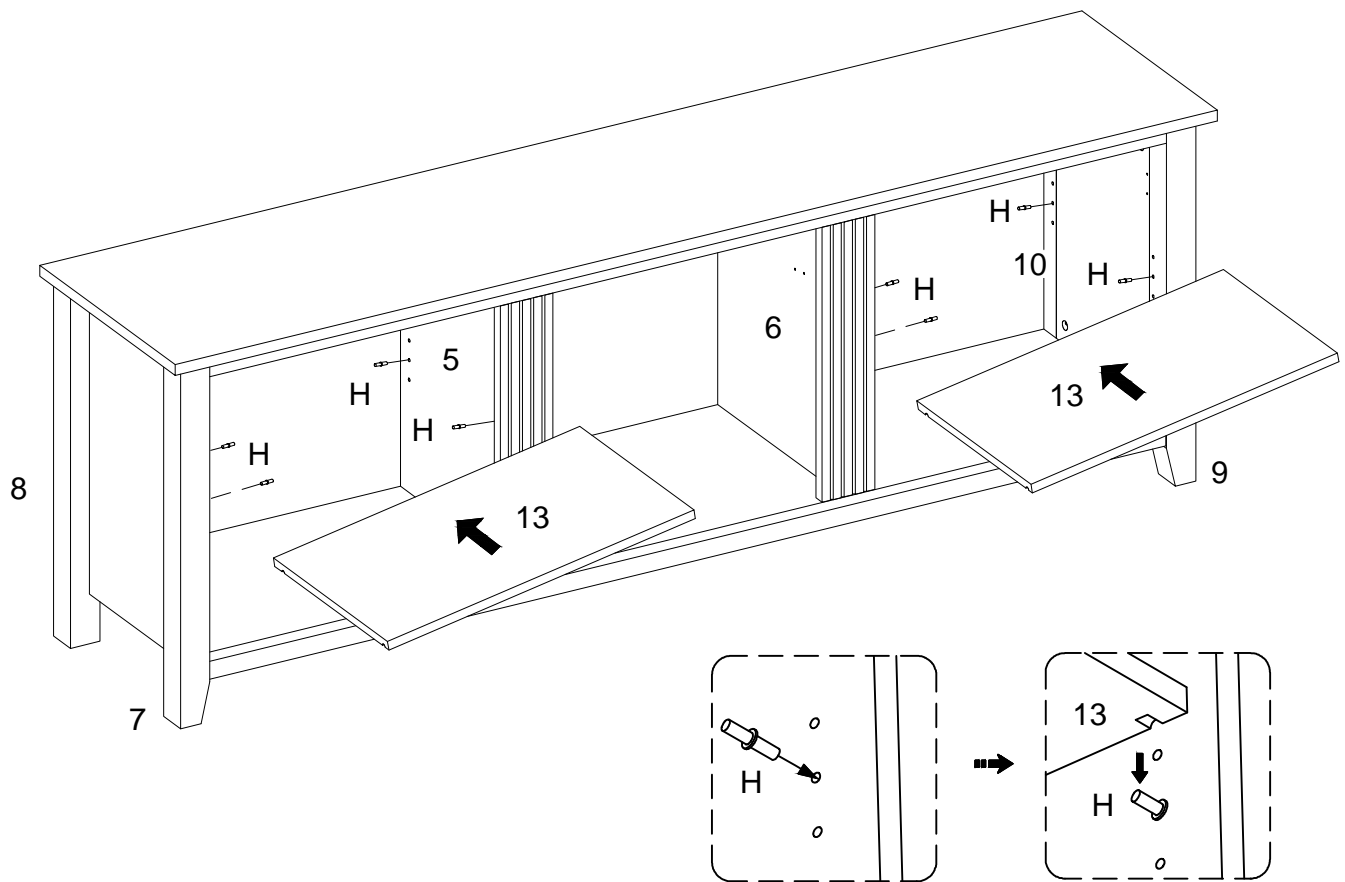
Attach plastic wedge (E) to part (12) using screw (F) with screwdriver.

Step 16



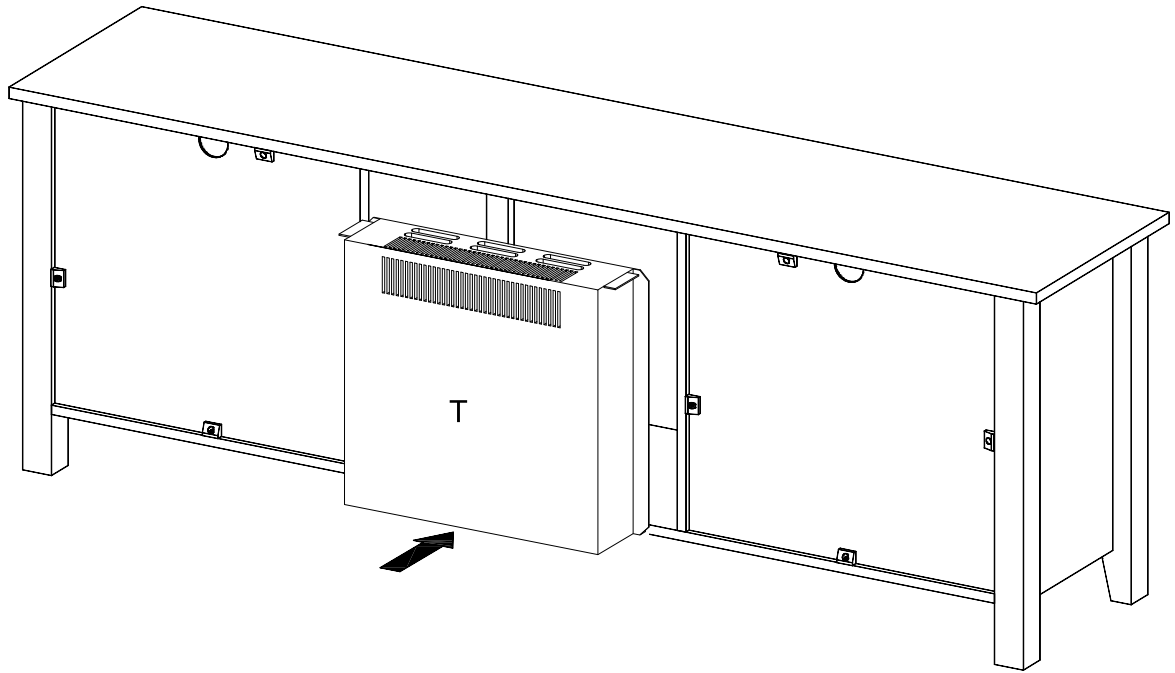
Place sticker (D) over holes as per diagram.

Step 17



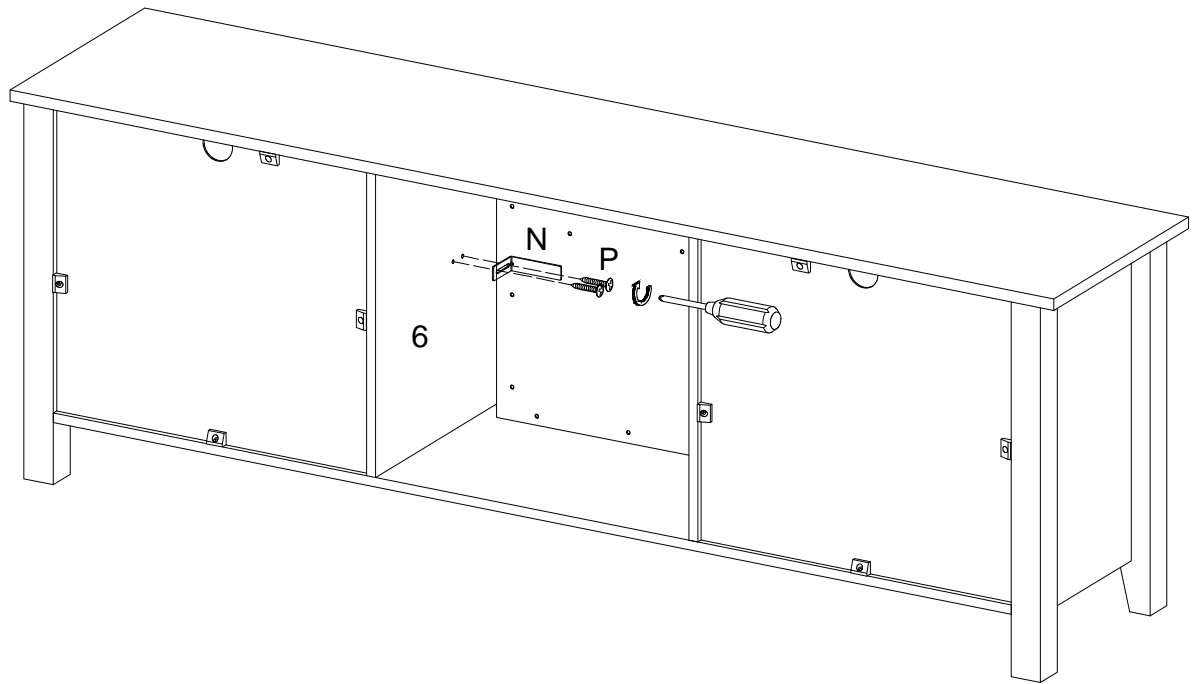
Insert shelf support pin (H) into part (7,5,6,10), then place shelf (13) on top of support pin (H).

Step 18



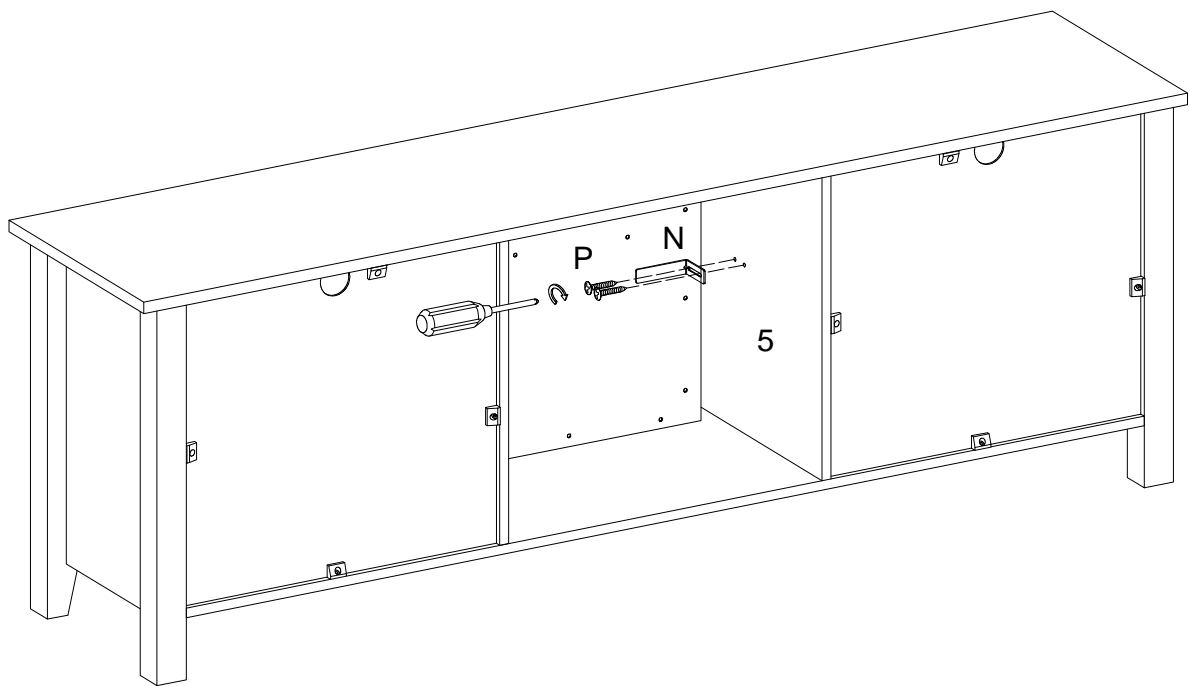
Place fireplace (T) into the frame from the rear.

Step 19



Secure product with screw (P) secure the L Shape Bracket (N) to the Side Panel (6).

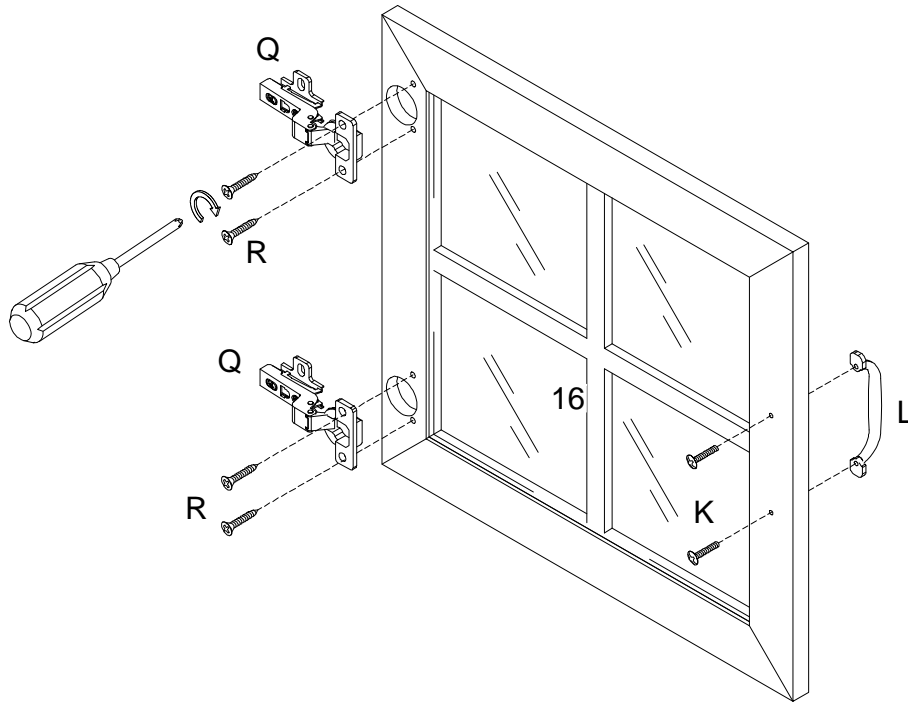
Step 20



Secure product with screw (P) secure the L Shape Bracket (N) to the Side Panel (5).

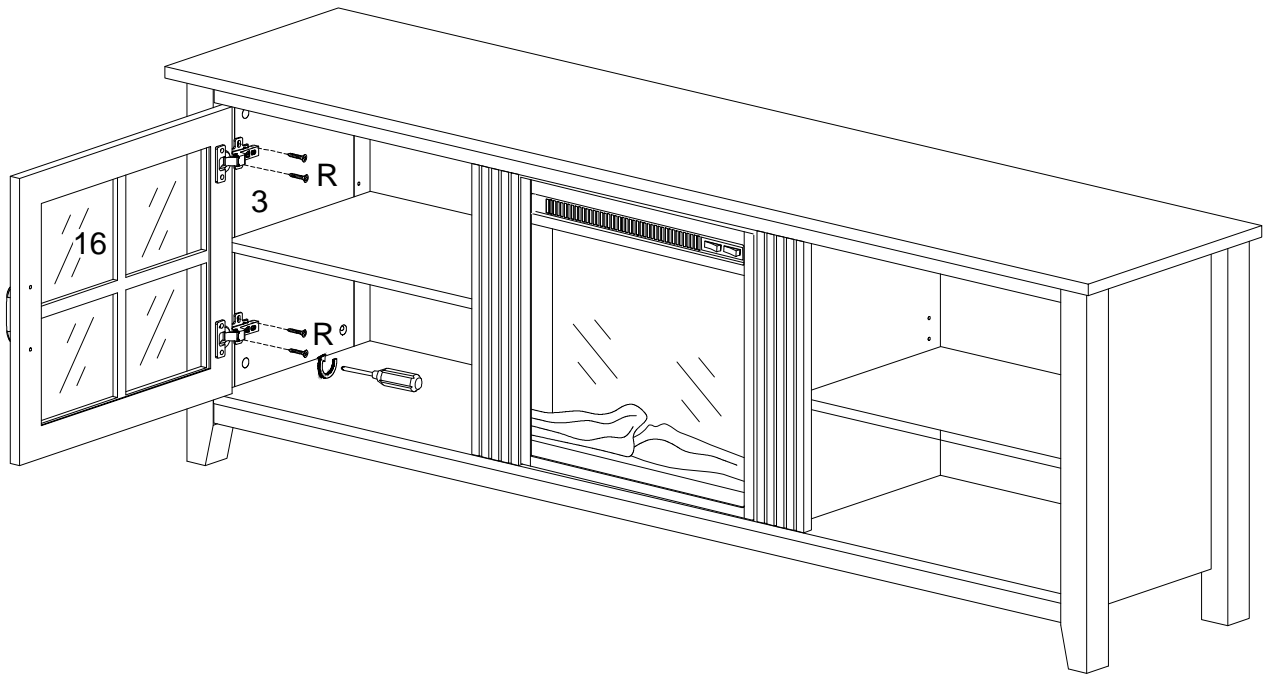
Step 21

x 2



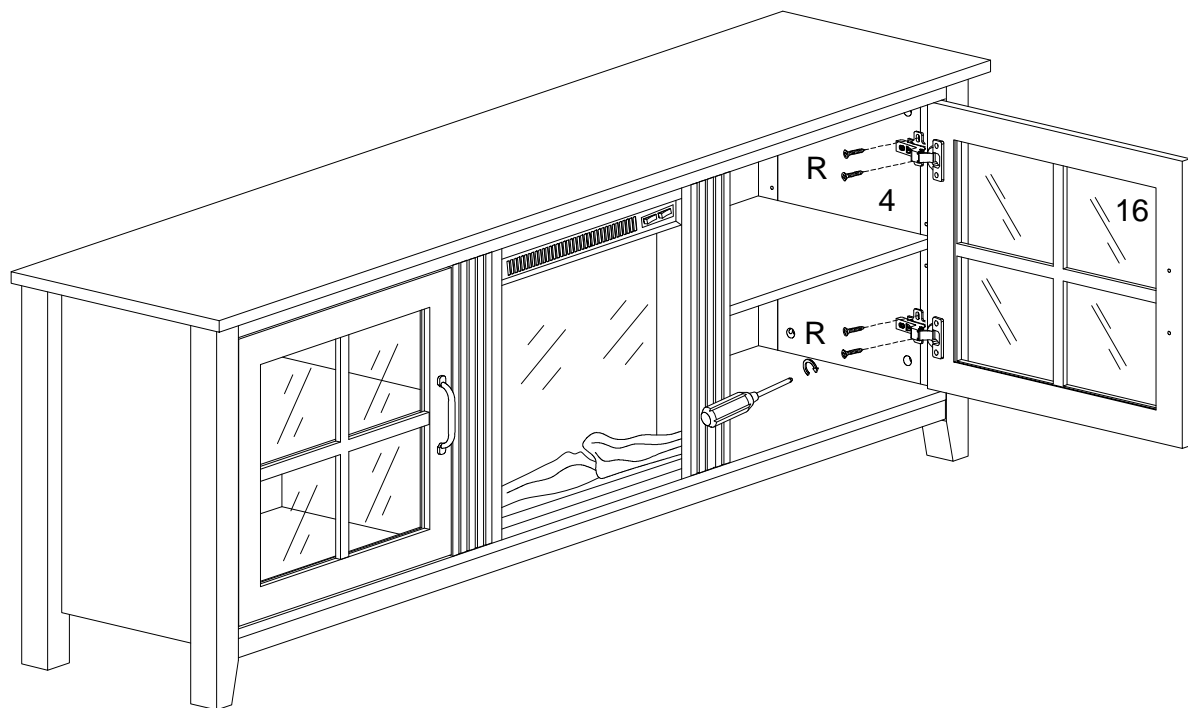
Attach door hinge (Q) to part (16) using screw (R) with screwdriver. Secure Handle (L) with Bolt (K) into the Door

Step 22

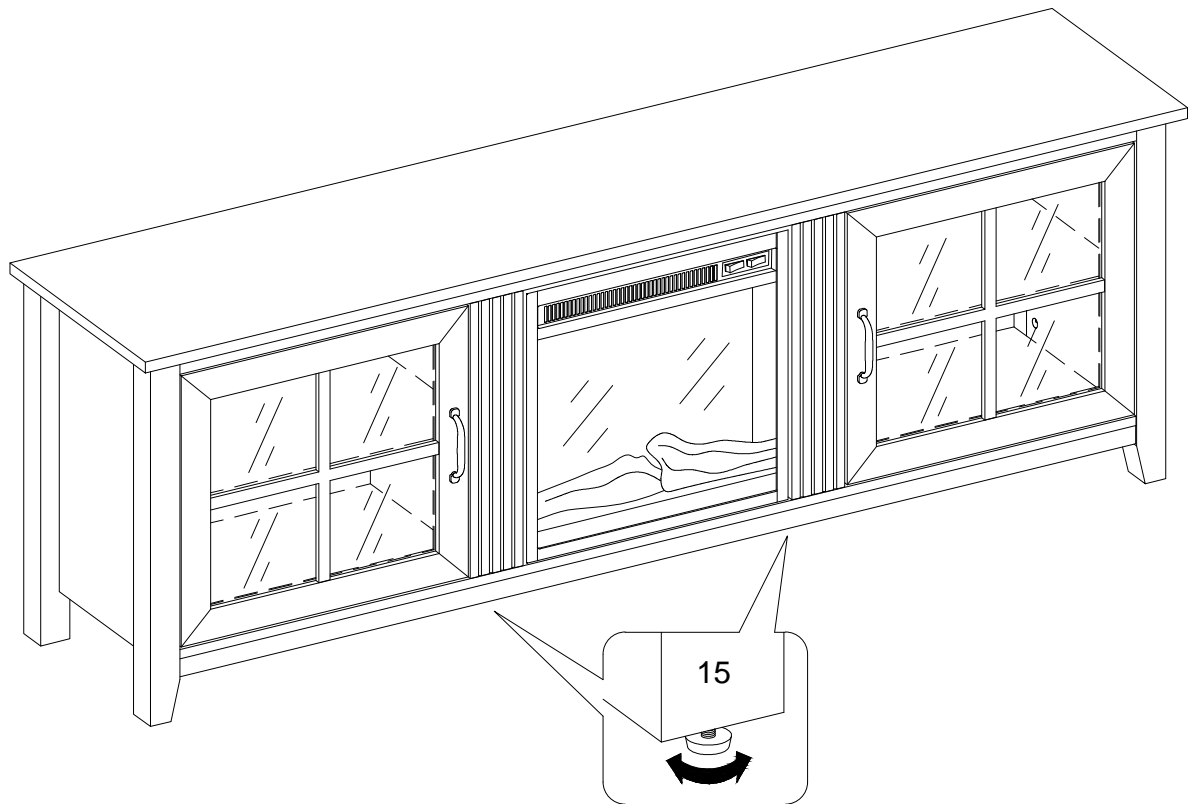


Secure door by tightening door hinge (Q) using screws (R) with equal pressure.

Step 23

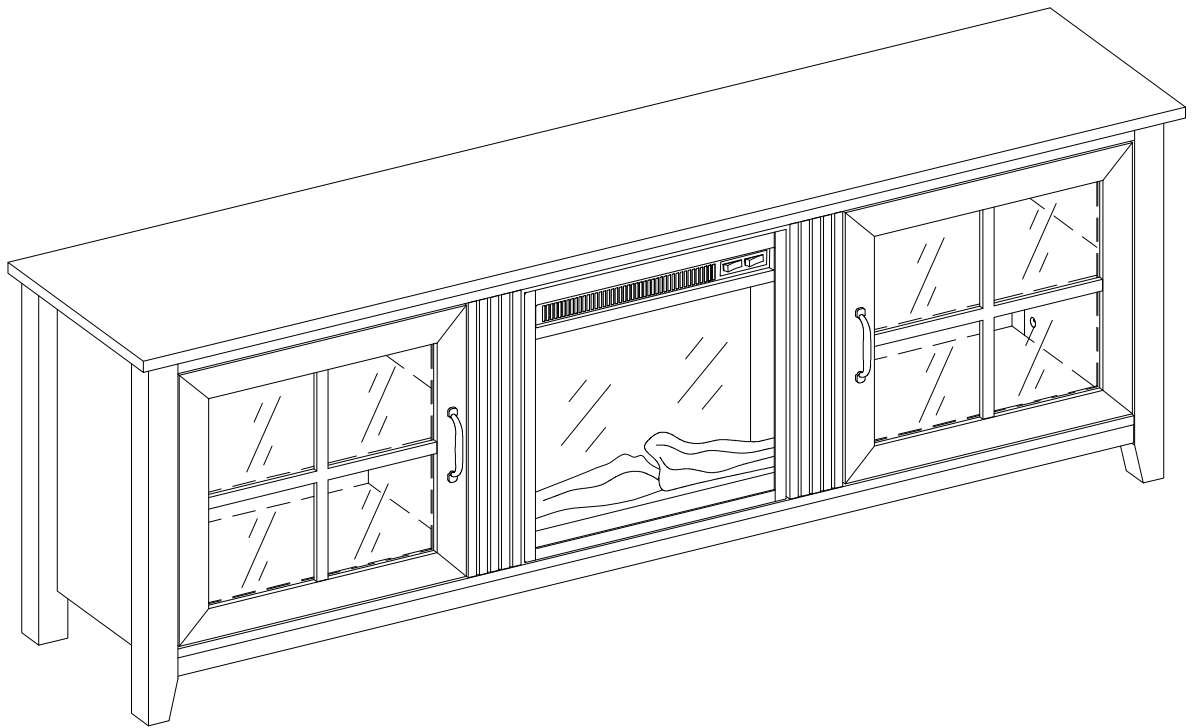


Step 24



Using Part (15) to adjust the stability .

Step 25



Final Assembly