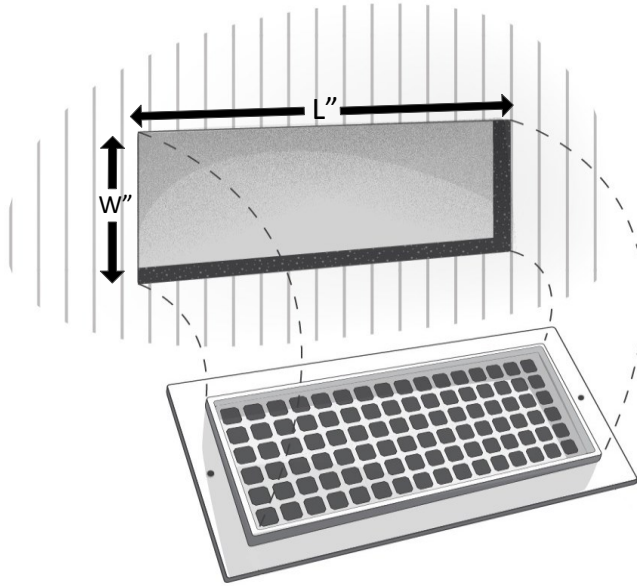


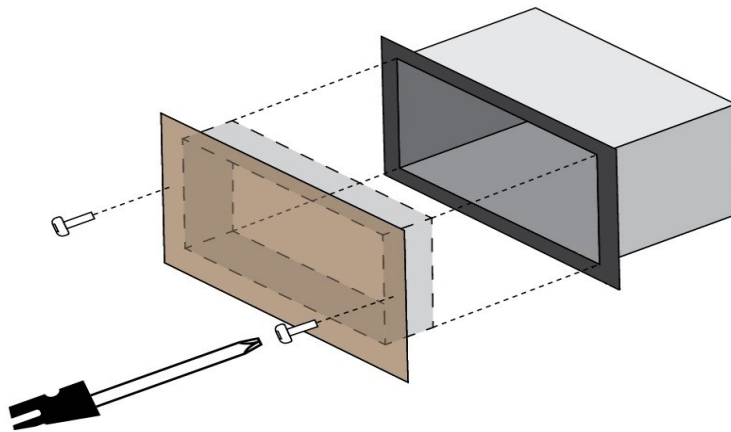
STEP 1:

- Measure your duct opening, not the register or grille.
- Measure left to right for length (L) and top to bottom for width (w).



STEP 2:

- If the existing register is screwed to the wall, use a screwdriver to remove the screws that hold the register in place.



STEP 3:

- Use supplied screws to install your SMI Vents grille.
(Philips head screwdriver required)