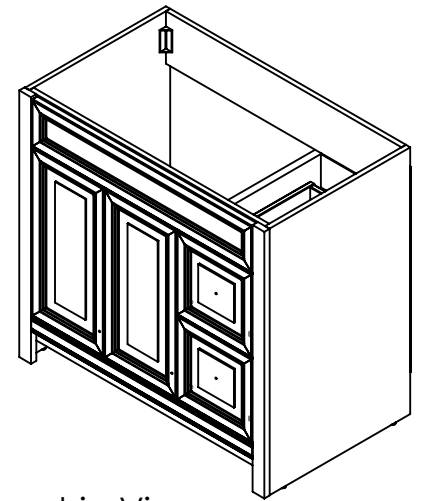
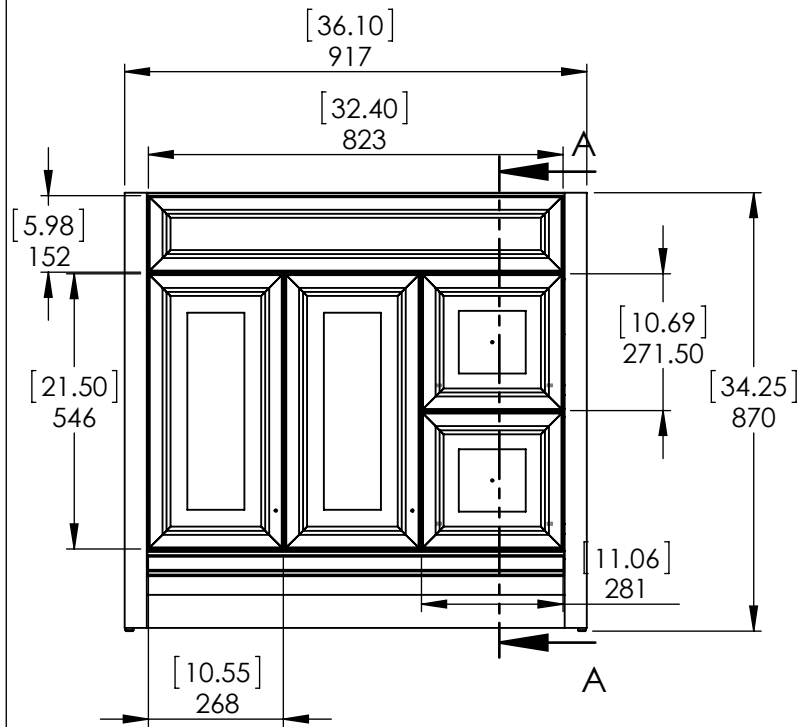


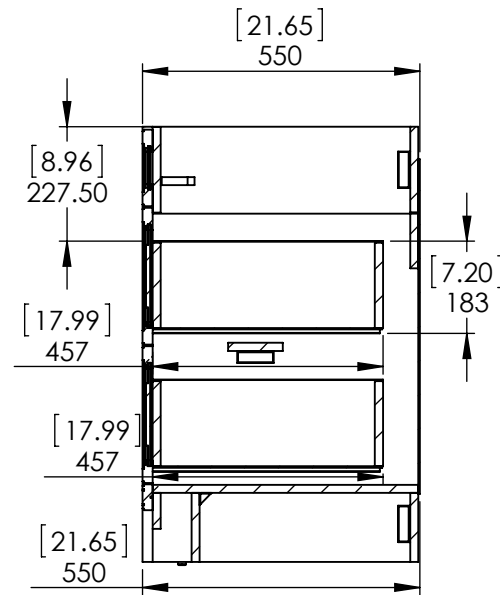
Top View



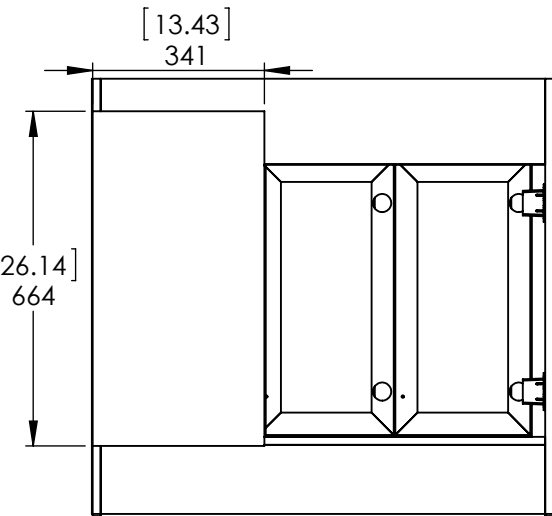
Isometric View



Front View



SECTION A-A
ESCALE 1 : 15



Back View

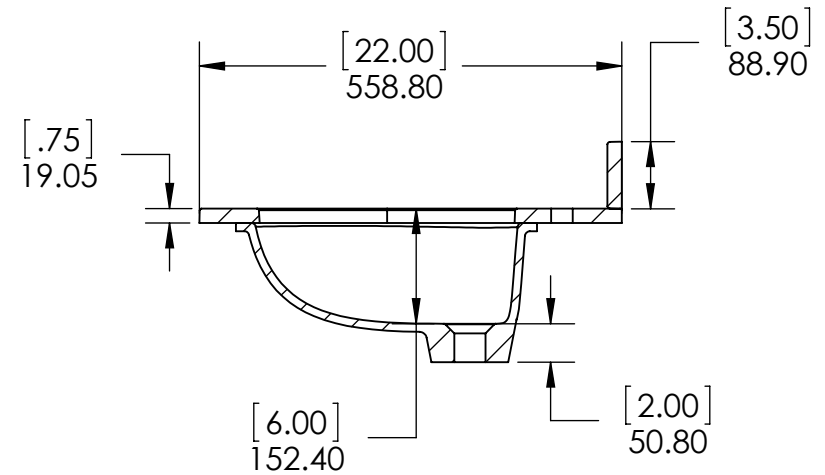
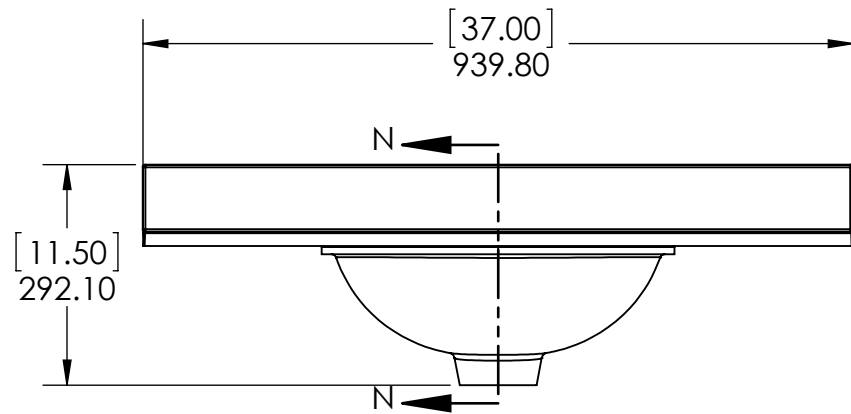
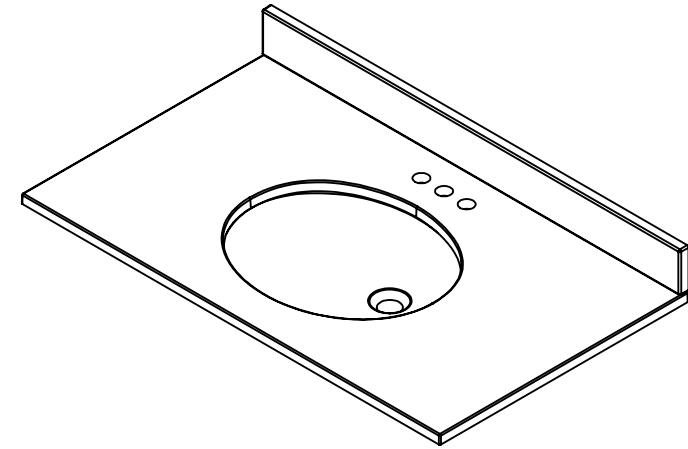
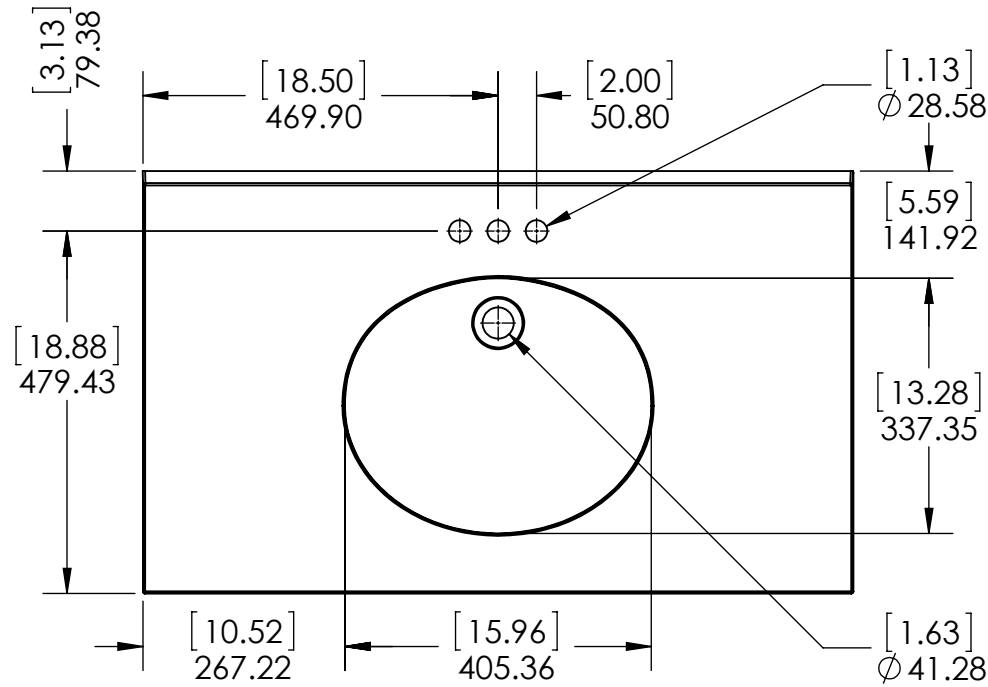
REV: **A**

ITEM: **BHSD36-FG
BWSD36-CR
BWSD36-CH
BH36-WH
BH36-ST**



Propiedad y Confidencialidad La información contenida en este dibujo es puramente propiedad de Woodcrafters Home Products LLC. Queda prohibida cualquier reproducción parcial o total sin el permiso por escrito de Woodcrafters Home Product LLC.	DWR	JCNV	26/02/18	NAME:	Brinkhill 36in Vanity - White/Sterling
	REV	R&D	26/02/18	MATERIAL:	
	APP	ING	26/02/18	German Beech 4/4 & Laminated Particle Board	
	ESCALE: 1:20			MODEL: Brinkhill 36in	

Rev #	Approved by	Change
0	R. Rubio	Released
1	O. Razo	New color and profile



PROPRIETARY AND CONFIDENTIAL
 THE INFORMATION CONTAINED IN THIS DRAWING IS THE SOLE PROPERTY OF WOODCRAFTERS. ANY REPRODUCTION IN PART OR AS A WHOLE WITHOUT THE WRITTEN PERMISSION OF WOODCRAFTERS IS PROHIBITED.

UNLESS OTHERWISE SPECIFIED
 DIMENSIONS ARE IN INCHES AND [MM]
 TOLERANCES ARE
 +0.125 [3.175] -0.125 [-3.175]
 SCALE:1:10

	NAME	DATE
DRAWN	R. Rubio	08/22/16
CHECKED	R. Rubio	08/22/16
ENG APPR.	R. Rubio	08/22/16
MFG APPR.	C. Leal	08/22/16

Wood Crafters
 Vtop Stone Effect, Oval 37x22

SIZE DWG. NO. A
 SHEET 1 OF 2
 REV. 1

ID	Description	Technology	Status
SE37O-PR	Vtop Oval 37x22 SE Pulsar 4in	Stone Effect	Approved for production
SE37O-MG	Vtop Oval 37x22 SE Mineral Gray 4in	Stone Effect	Approved for production
SE37O-WM	Vtop Oval 37x22 SE Winter Mist 4in	Stone Effect	Approved for production
SE37O-CO	Vtop Oval 37x22 SE Cold Fusion 4in	Stone Effect	Approved for production
SE37O-DN	Vtop Oval 37x22 SE Dune 4in	Stone Effect	Approved for production
SE37O-RU	Vtop Oval 37x22 SE Rustic Gold 4in	Stone Effect	Approved for production

Rev #	Approved by	Change
0	R. Rubio	Released
1	O. Razo	New color and profile

PROPRIETARY AND CONFIDENTIAL
 THE INFORMATION CONTAINED IN THIS DRAWING IS THE SOLE PROPERTY OF WOODCRAFTERS. ANY REPRODUCTION IN PART OR AS A WHOLE WITHOUT THE WRITTEN PERMISSION OF WOODCRAFTERS IS PROHIBITED.

UNLESS OTHERWISE SPECIFIED
 DIMENSIONS ARE IN INCHES AND [MM]
 TOLERANCES ARE
 + 0.125 [3.175] - 0.125 [-3.175]
 SCALE:1:10

	NAME	DATE
DRAWN	R. Rubio	08/22/16
CHECKED	R. Rubio	08/22/16
ENG APPR.	R. Rubio	08/22/16
MFG APPR.	C. Leal	08/22/16

		SIZE	DWG. NO.	SHEET 2 OF 2
		A	Vtop Stone Effect, Oval 37x22	REV: 1