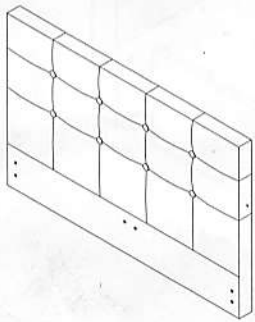
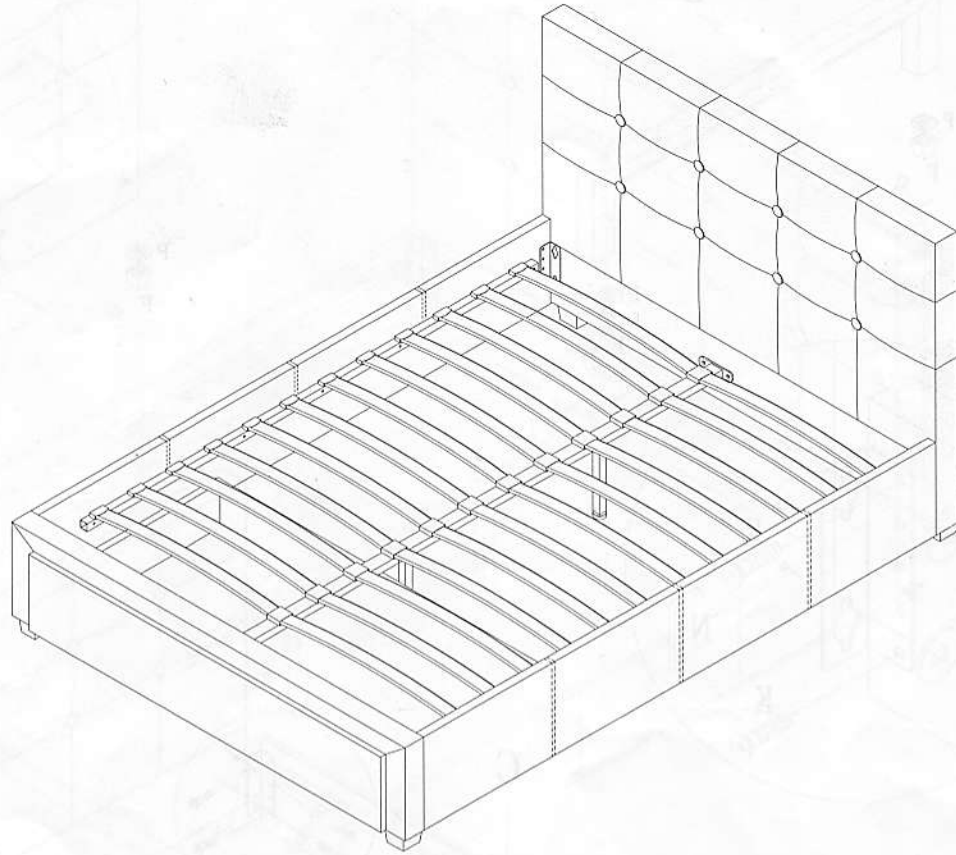
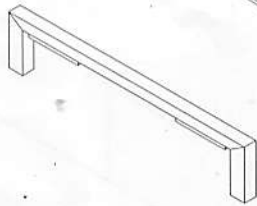


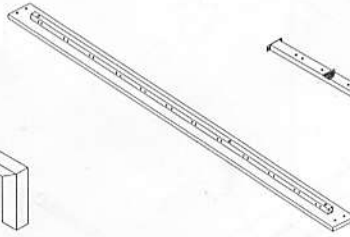
ASSEMBLY INSTRUCTIONS OF F9330F



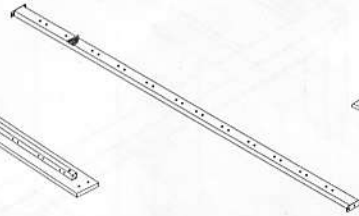
A*1PCS



B*1PCS



C*2PCS



D*1PCS



E*24PCS



F*4PCS



G*2PCS



H*12PCS



I*24PCS



J*4PCS



M8*30MM

K*20PCS



1/4"*16MM

L*4PCS



M*8PCS



M8

N*1PCS



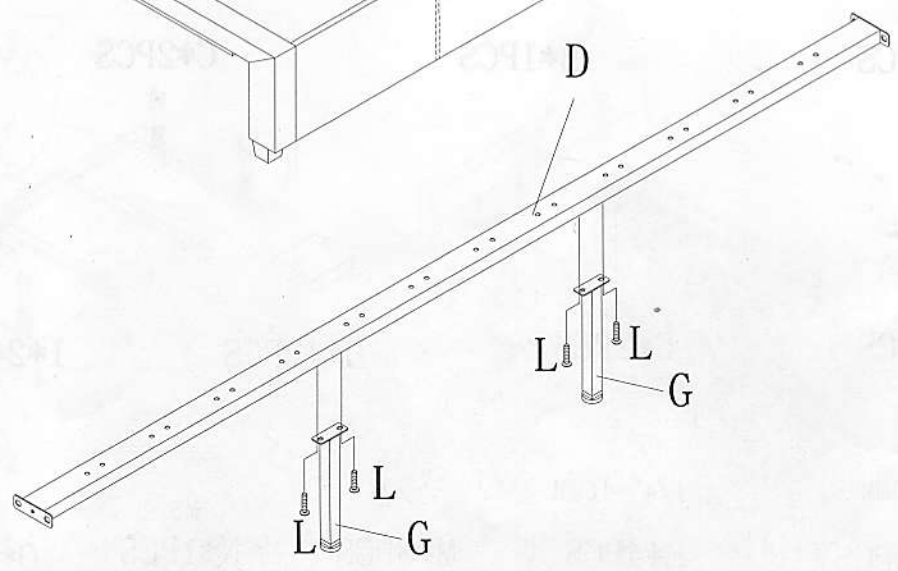
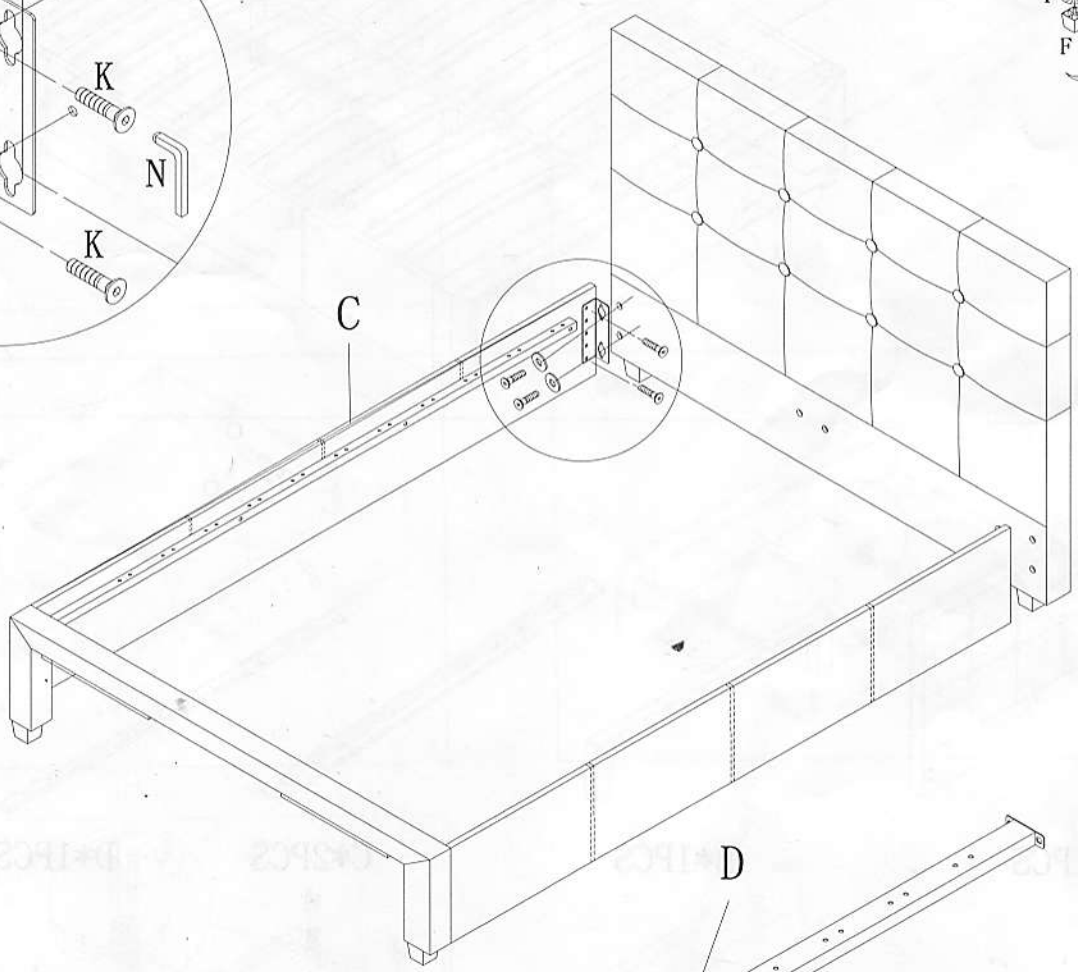
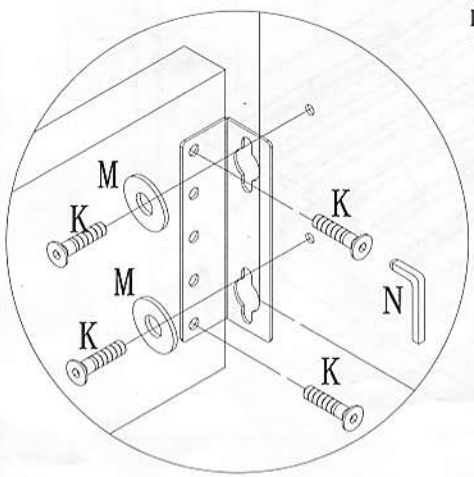
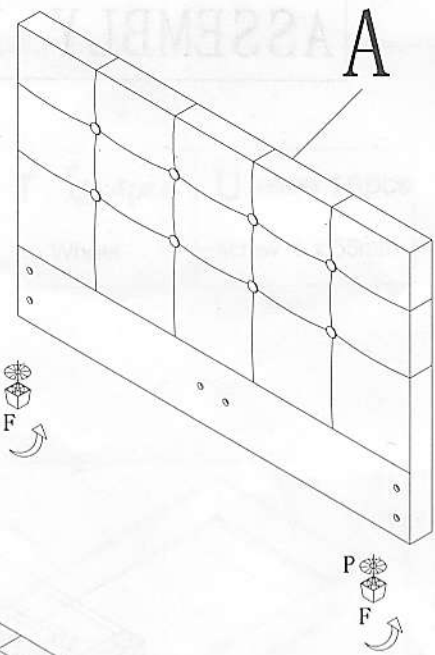
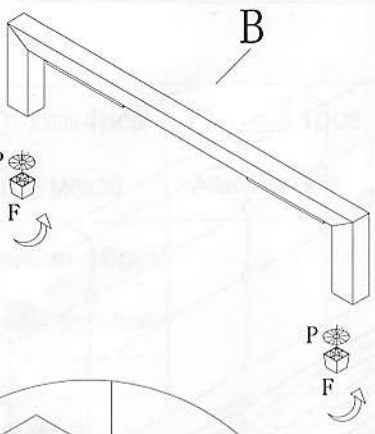
1/4"

O*1PCS

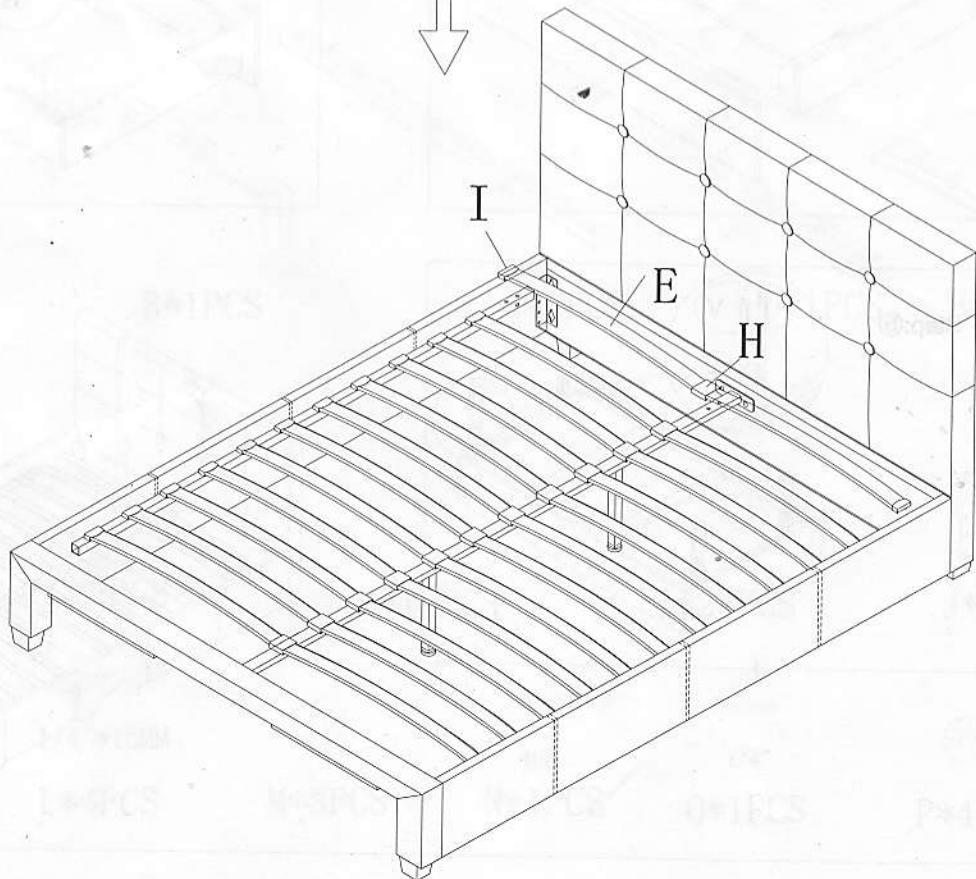
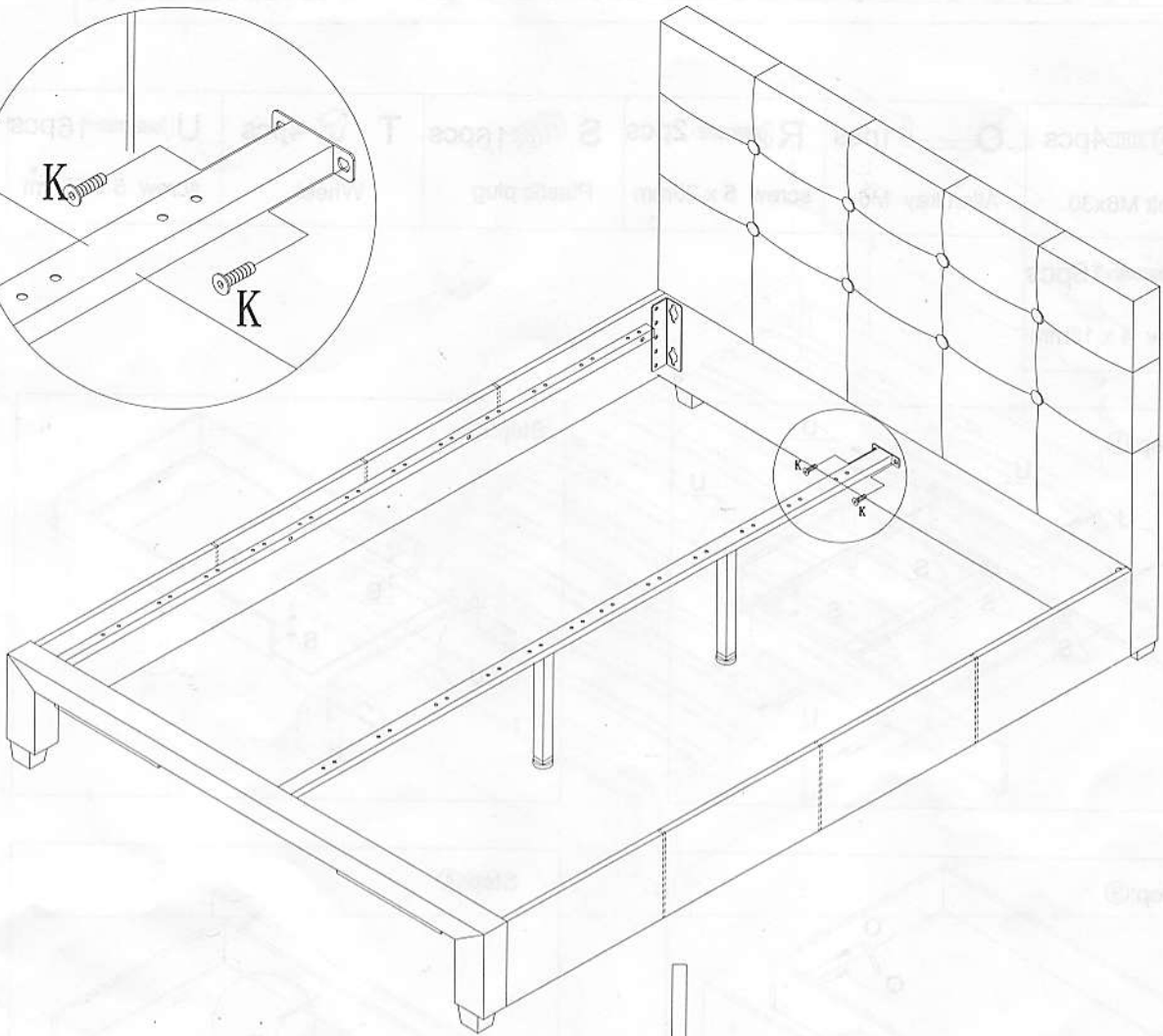
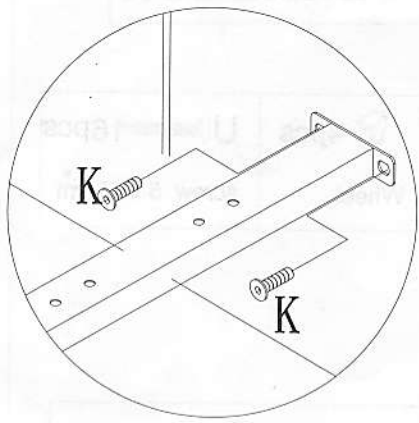


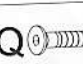




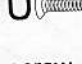

P*4PCS

ASSEMBLY INSTRUCTIONS OF F9330F



ASSEMBLY INSTRUCTIONS OF P9330F



Q  4pcs Bolt M6x30	O  1pcs Allen key M6	R  2pcs screw 5 x 25mm	S  16pcs Plastic plug	T  4pcs Wheel	U  16pcs screw 5 x 55mm
V  16pcs screw 4 x 15mm					

