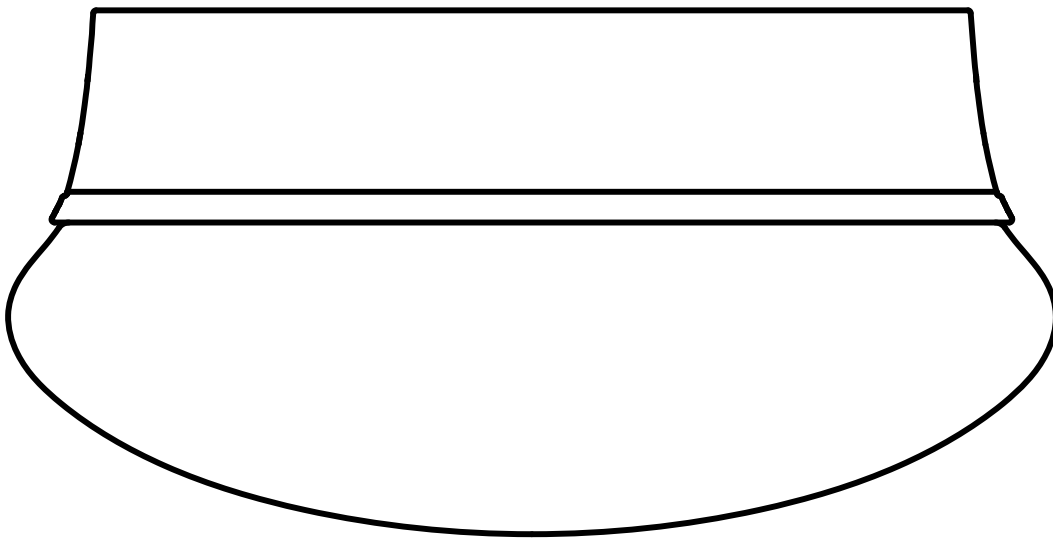


USE AND CARE GUIDE

LED INTERIOR FLUSHMOUNT



Questions, problems, missing parts? Before returning to the store,
call Commercial Electric Customer Service
8 a.m. – 6 p.m., EST, Monday - Friday

1-877-527-0313

HOMEDEPOT.COM

THANK YOU

We appreciate the trust and confidence you have placed in Commercial Electric through the purchase of this interior flushmount. We strive to continually create quality products designed to enhance your home. Visit us online to see our full line of products available for your home improvement needs. Thank you for choosing Commercial Electric!

Table of Contents

| | | | |
|-----------------------------|---|--|---|
| Table of Contents | 2 | Hardware Included | 3 |
| Safety Information..... | 2 | Package Contents..... | 4 |
| Warranty | 2 | Installation to a Keyless Lamp Holder..... | 5 |
| Pre-Installation | 3 | Installation to an Outlet Box | 6 |
| Planning Installation | 3 | Care and Cleaning | 7 |
| Tools Required | 3 | Troubleshooting..... | 7 |

Safety Information



WARNING: Carefully read and understand the information given in this manual before beginning the assembly and installation. Failure to do so could lead to electric shock, fire, or other injuries which could be hazardous or even fatal.



WARNING: Ensure the electricity to the wires you are working on is shut off. Either remove the fuse or turn off the circuit breaker.

NOTICE: Changes or modifications not expressly approved by the party responsible for compliance could void the user's authority to operate the equipment.

NOTICE: Do not use this flushmount with a dimmer switch.

Warranty

WHAT IS COVERED

The manufacturer warrants this lighting fixture to be free from defects in materials and workmanship for a period of three (3) years from date of purchase. This warranty applies only to the original consumer purchaser and only to products used in normal use and service. If this product is found to be defective, the manufacturer's only obligation, and your exclusive remedy, is the repair or replacement of the product at the manufacturer's discretion, provided that the product has not been damaged through misuse, abuse, accident, modifications, alterations, neglect, or mishandling.

WHAT IS NOT COVERED

This warranty shall not apply to any product that is found to have been improperly installed, set-up, or used in any way not in accordance with the instructions supplied with the product. This warranty shall not apply to a failure of the product as a result of an accident, misuse, abuse, negligence, alteration, faulty installation, or any other failure not relating to faulty material or workmanship. This warranty shall not apply to the finish on any portion of the product, such as surface and/or weathering, as this is considered normal wear and tear.

The manufacturer does not warrant and specifically disclaims any warranty, whether express or implied, of fitness for a particular purpose, other than the warranty contained herein. The manufacturer specifically disclaims any liability and shall not be liable for any consequential or incidental loss or damage, including but not limited to any labor / expense costs involved in the replacement or repair of said product.

Contact the Customer Service Team at 1-877-527-0313 or visit www.HomeDepot.com.

Pre-Installation

PLANNING INSTALLATION

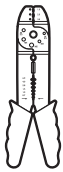
Read all instructions before assembly. Before starting installation of this fixture or removal of a previous fixture, disconnect the power by turning off the circuit breaker or by removing the fuse at the fuse box. To avoid damaging this product, assemble it on a soft, non-abrasive surface, such as carpet or cardboard.

This fixture can be installed two ways: 1) onto a keyless lamp holder, or 2) onto an outlet box. This Guide will first show how to install the fixture onto a keyless lamp holder. This Guide will then show how to install the fixture onto an outlet box.



NOTE: Keep your receipt and these instructions for proof of purchase.

TOOLS REQUIRED



Wire Strippers



Safety Goggles



Ladder



Gloves



Flathead Screwdriver



Phillips Screwdriver



Electrical Tape



Wire Cutters

HARDWARE INCLUDED



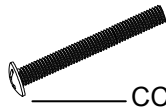
NOTE: Hardware not shown to actual size.



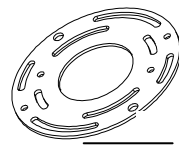
AA



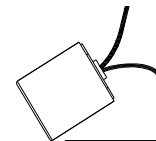
BB



CC



DD



EE

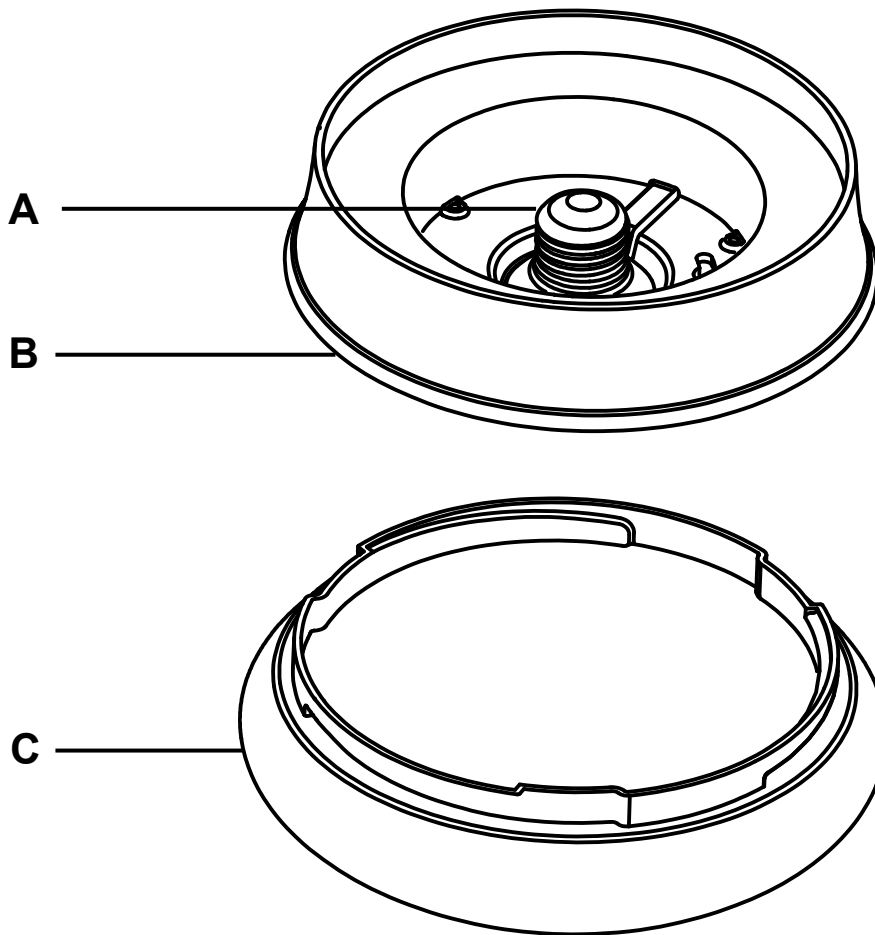


FF

| Part | Description | Quantity |
|------|----------------------------|----------|
| AA | Wire Connector | 3 |
| BB | Outlet Box Screw (5/8 in.) | 2 |
| CC | Mounting Screw (2 in.) | 2 |
| DD | Mounting Bracket | 1 |
| EE | Socket | 1 |
| FF | Ground Screw | 1 |

Pre-Installation (continued)

PACKAGE CONTENTS

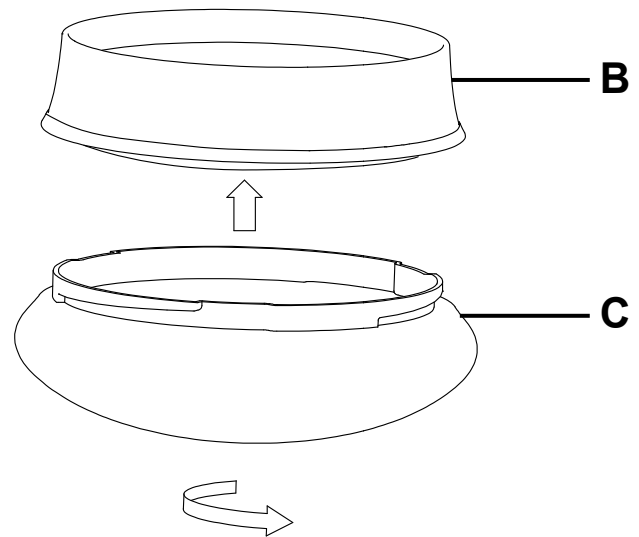


| | Description | Quantity |
|---|---------------|----------|
| A | Threaded Base | 1 |
| B | Fixture Body | 1 |
| C | Shade | 1 |

Installation to a Keyless Lamp Holder

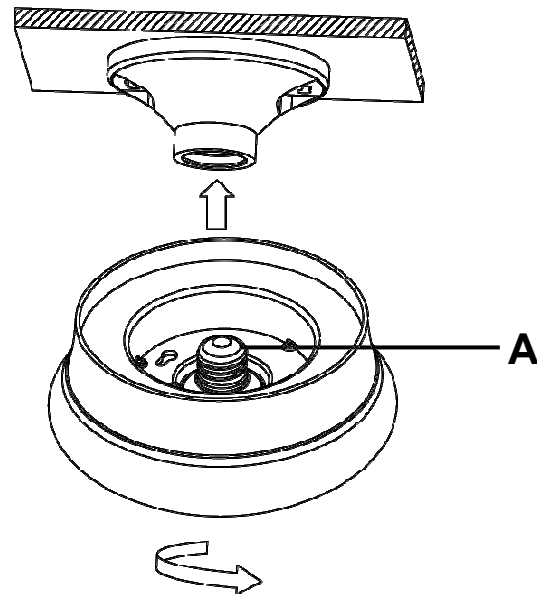
1 Attaching the shade to the fixture body

- Align the slots on the shade (C) with the divots on the fixture body (B).
- Carefully turn the shade (C) clockwise until it locks into place.
- The shade (C) only turns about 1/8 of a turn. Do not over tighten.



2 Attaching the fixture to the keyless lamp holder

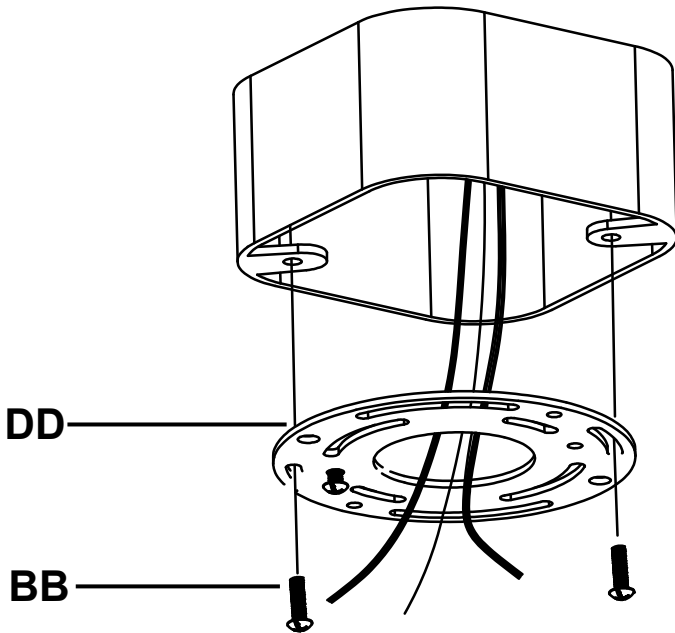
- Screw the threaded base (A) clockwise into the keyless lamp holder.



Installation to an Outlet Box

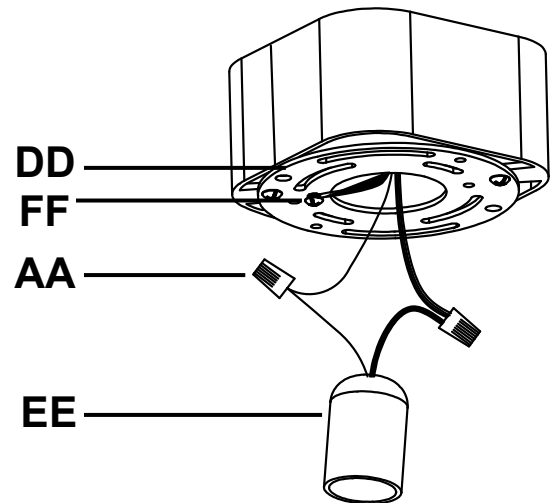
1 Attaching the mounting bracket to the outlet box

- Mount the mounting bracket (DD) to the outlet box using the two outlet box screws (BB).



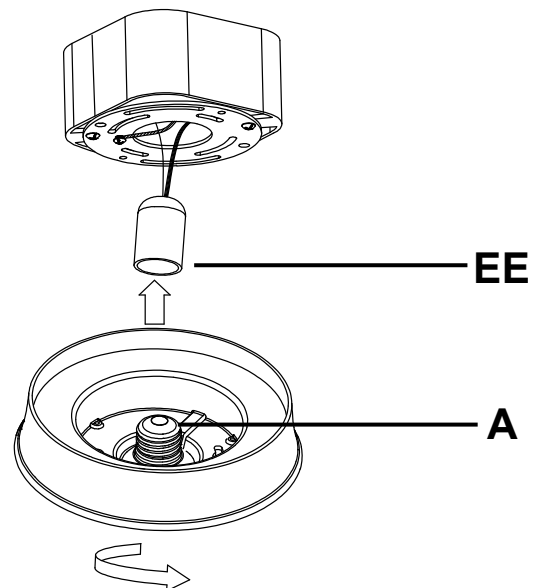
2 Making the electrical connections

- Wrap the ground wire from the outlet box around the ground screw (FF) on the mounting bracket (DD).
- Connect the white wire from the socket (EE) to the white wire from the outlet box.
- Connect the black wire from the socket (EE) to the black wire from the outlet box.
- Wrap the wire connections with electrical tape for a more secure connection.
- Cover the wire connections using the wire connectors (AA).
- Position the wires back inside the outlet box.



3 Attaching the threaded base to the socket

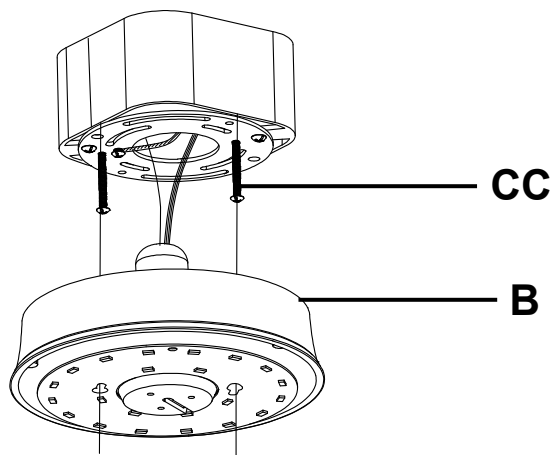
- Screw the threaded base (A) clockwise into the socket (EE).



Installation to an Outlet Box (continued)

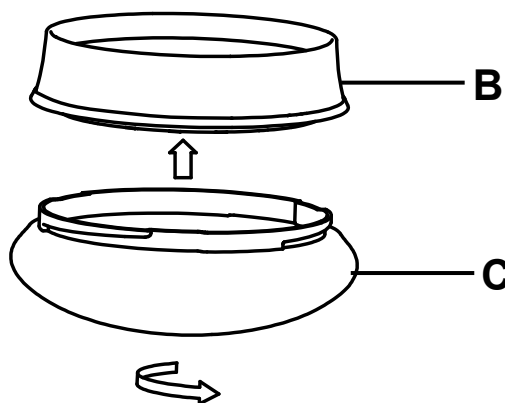
4 Attaching the fixture body to the outlet box

- Screw the mounting screws (CC) into the mounting bracket (DD).
- Place the fixture body (B) over the outlet box.
- Allow the heads of the mounting screws (CC) to come out through the large ends of the keyholes on the fixture body (B).
- Turn the fixture body (B) clockwise until the heads of the mounting screws (CC) slide into the narrow ends of the keyholes on the fixture body (B).
- Tighten the mounting screws (CC) to secure the fixture body (B).



5 Attaching the shade to the fixture body

- Align the slots on the shade (C) with the divots on the fixture body (B).
- Carefully turn the shade (C) clockwise until it locks into place.
- The shade (C) only turns about 1/8 of a turn. Do not over tighten.



Care and Cleaning



CAUTION: Before attempting to clean the fixture, disconnect the power to the fixture by turning the breaker off or removing the fuse from the fuse box.

- Clean the fixture with a soft, dry cloth.
- Do not use any cleaners with chemicals, solvents, or harsh abrasives.

Troubleshooting

| Problem | Possible Cause | Solution |
|--|---|---|
| The fixture will not light. | The power is off. | Ensure the power supply is on. |
| | The circuit breaker is off. | Ensure the circuit breaker is in the on position. |
| The fuse blows or the circuit breaker trips when the light is turned on. | The wires are crossed or the power wire is grounding out. | Check the wire connections. Contact a qualified electrician or call the Customer Service Team at 1-877-527-0313. |



Questions, problems, missing parts? Before returning to the store,
call Commercial Electric Customer Service
8 a.m. – 6 p.m., EST, Monday - Friday

1-877-527-0313

HOMEDEPOT.COM

Retain this manual for future use.