

## 1795 Storability® 34"L x 32"H 3-Shelf Wall Mount Unit

Read all instructions completely before installing. Should you have any questions about your installation, please call Customer Service at 440-248-5480. Missing and damaged parts must be reported within 5 days from receipt of delivery.

Tools needed for this installation (Not supplied with kit) –Level -Tape Measure- Drill- Drill Bits - Phillips Head Screwdriver - Mallet

### Parts Listing

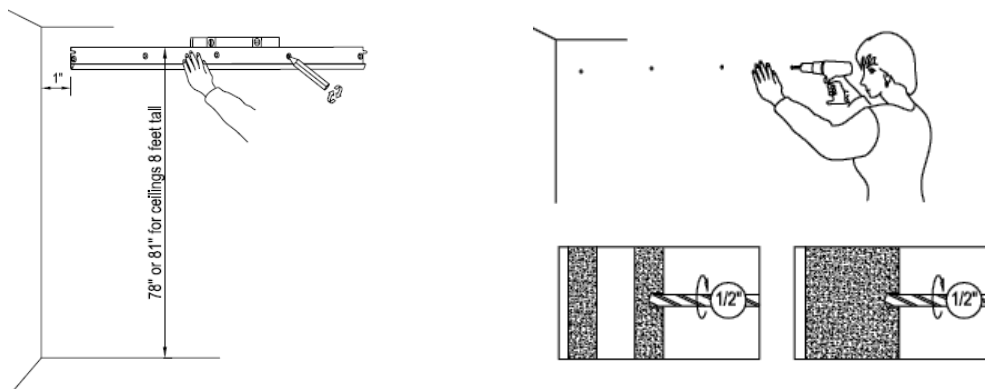
Part Number	Quantity	Description
1795	3	31" Wire Shelf
	3	Left Lock-On Hanging Brackets
	3	Right Lock-On Hanging Brackets
	1	Top Track unit (mount to wall using a level)
	2	32" vertical rails
	1	Mounting hardware kit for top track and hang rails

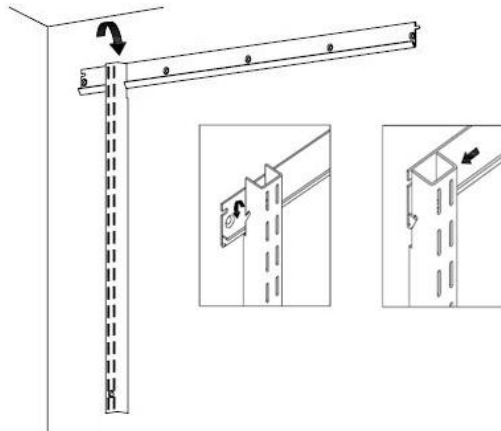
**Warranty information:** Triton Products warrants to the original owner that this product is free from defects in material and workmanship for a period of two years from the date of the original purchase. If this product is defective when used as intended under normal household conditions within the specified period, Triton will replace the product, send a replacement part or issue a refund (at our option) when the consumer provides a proof of purchase (either a bill of sale, receipted invoice or other proof that the product is within the warranty period), along with a full description of the defect.

**Liability:** Triton Products and/or its Reseller's liability are limited to 100% of the purchase price of the product.

### Wall framing installation

Install 1700 Top Track across wall then secure Hang Rails on Top Track and secure with hardware (provided) Model 1795 31" Wire Shelves mount on the 2 hang rails spaced 30-3/8" apart measured inside (between) rails





Assemble with hang rail slotted ends to outside. Make sure notches are at the far end of assembled hang rail and space the hang rails on the Top Track 30-3/8" apart measured inside (between) the hang rails.

## Installation & Assembly Instructions

Wire Shelf Installation (See image below) make sure that brackets attach over the top of the wire shelf with flat surface up. Attach left and right lock-on hanging brackets over each side. Wire shelf should be installed level and in the inside slot positions of each hang rail spaced 30-3/8" apart. If accidental binding occurs use soft rubber mallet to help remove accessory and protect paint. To attach and detach push unit upward into the rail slots and push in or pull out at about a 45 degree angle.

