

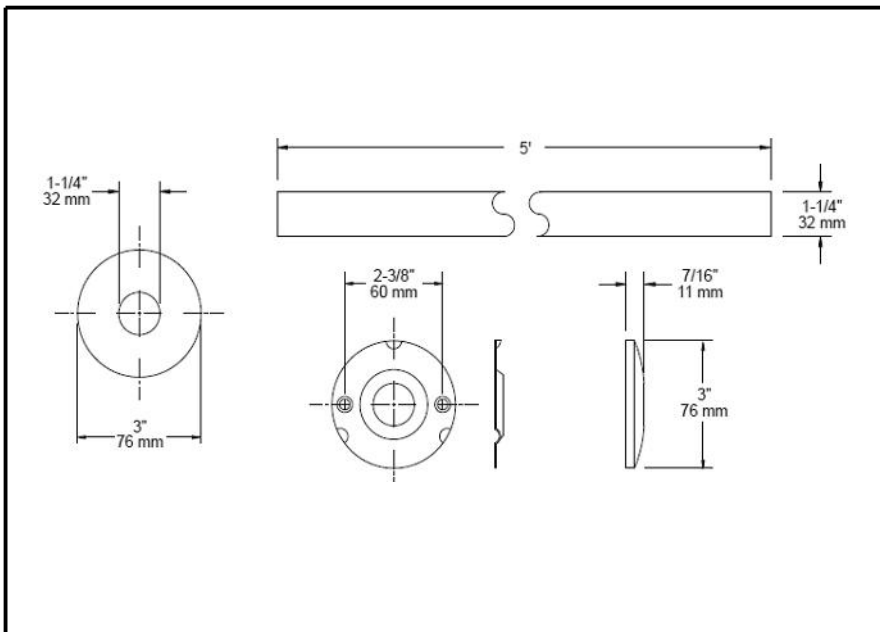


ACCESSORIES

- Stainless Steel Shower Rod
- 5' x 1 1/4" Snap-Cover Shower Rod

Submitted Model No.: _____

Specific Features: _____



STANDARD SPECIFICATIONS:

- Install wall flanges and rod with 4 - #10 x 2" pan head stainless steel screws provided. Snap lock cover flanges to be on rod before installation of wall flanges and rod. Slide cover flanges over wall flanges lining up dimples and catches on both parts. Press firmly and rotate cover flange 1/4" to complete installation.

WARRANTY

- Limited Lifetime Warranty to the original consumer purchaser to be free from defects in material and workmanship.
- Limited Lifetime Warranty for usage in all industrial, commercial and business applications.