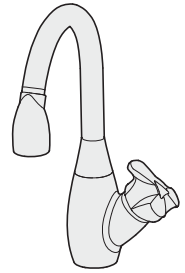


Location:

# SYMMONS® Moscato™



## Kitchen Faucet S-2620 Specification Submittal

### Model Numbers

- S-2620 Kitchen Faucet

### Finish Options / Modifications

Append appropriate -suffix to model number.

- STN Satin nickel
- STS Stainless Steel Finish
  - Polished chrome (standard finish)

### Options / Modifications

Append appropriate -suffix to model number.

### Feature Highlights

- Single handle kitchen faucet with pull-down spray spout with retractable pull-out spray hose
- Pull-out spray spout has spray to stream touch control
- Includes selection of multiple colored handles
- Integral vacuum breaker and ceramic control components
- Braided hose connections
- Single hole or three hole installation (includes optional deck plate / escutcheon)

### Standards / Certifications

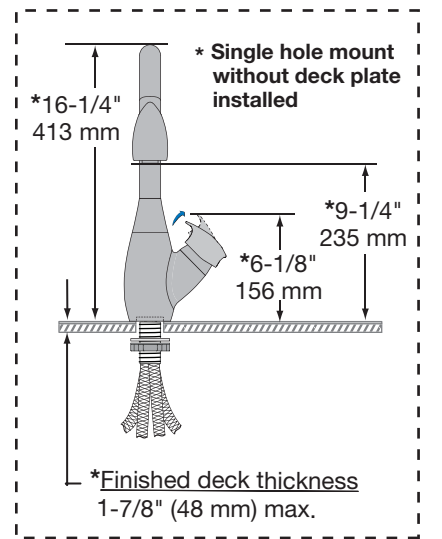
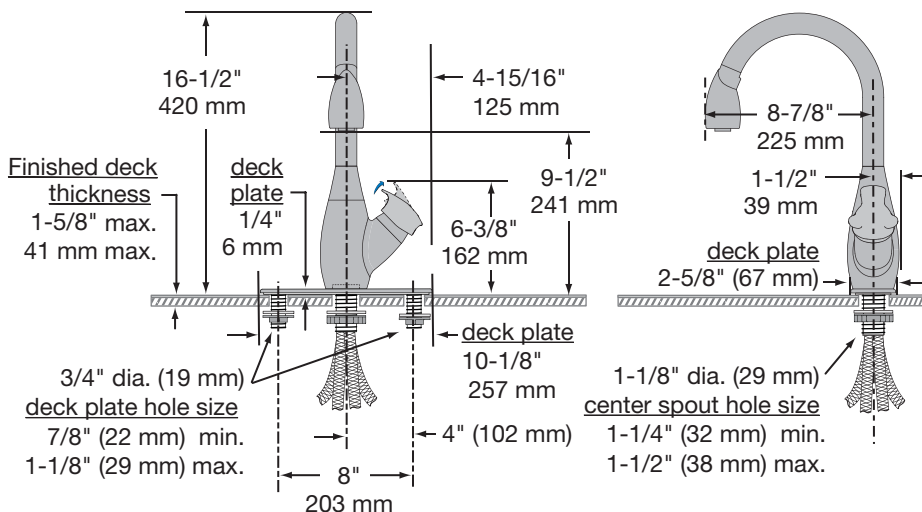
ASME A112.18.1-2005/CSA B125.1-05

### Warranty

- Limited Lifetime - to the original end purchaser in consumer installations.
- 5 years - for commercial installations

### Dimensions: Moscato Kitchen Faucet S-2620 with pull-out spout

#### Three hole mount with deck plate installed



Symmons Industries, Inc. ■ 31 Brooks Drive ■ Braintree, MA 02184  
(800) 796-6667, (781) 848-2250 ■ Fax (800) 961-9621, (781) 664-1300  
Website: [www.symmons.com](http://www.symmons.com) ■ Email: [customerservice@symmons.com](mailto:customerservice@symmons.com)  
©2009 Symmons Industries, Inc. Printed in U.S.A. ■ 051209

