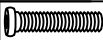



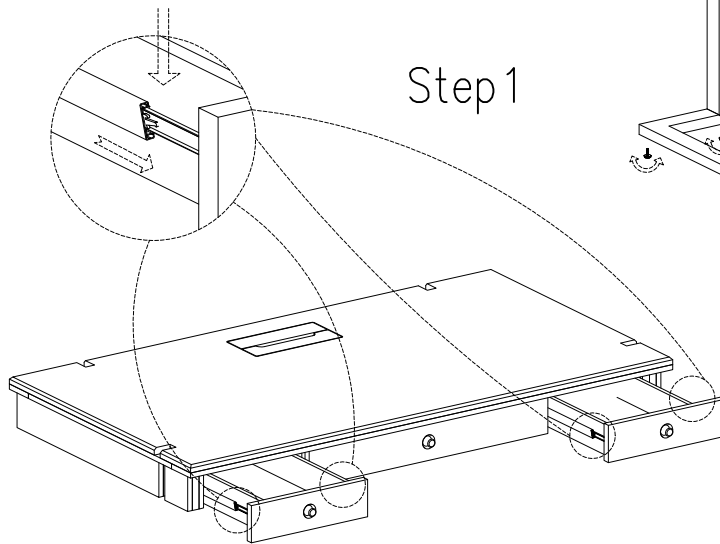
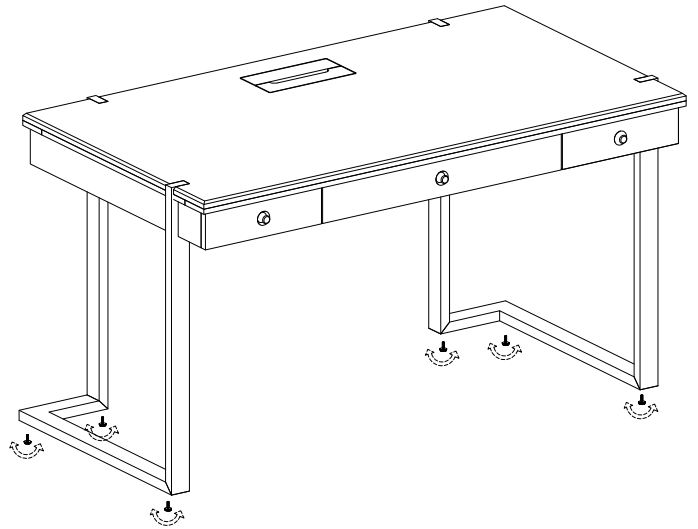


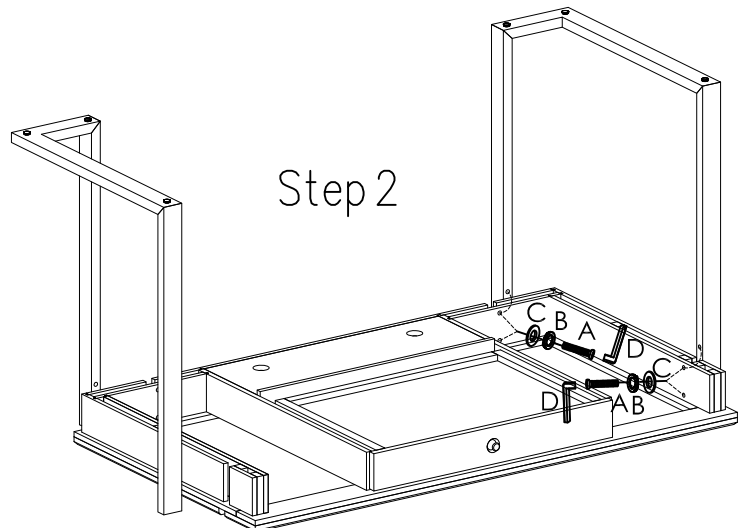
# ASSEMBLY INSTRUCTIONS

ITEM NO: IQ-AUS-WD54 Writing Desk

PART#	DESCRIPTION		QTY
A	5/16 * 1" -3/4"		8
B	5/16		8
C	5/16 * 19mm		8
D	Allen Wrench		1



Step 1



Step 2

1. Put the drawers out
2. Lay out the desk, assemble the legs using bolt (A), washers (B, C) and wrench (D).

Thank you for choosing Turnkey Furniture.

MADE IN VIETNAM