

Modern Mailboxes – 4150

Surface Mounted Installation Instructions

Made of sand-cast aluminum with a durable powder coat finish and a heavy-duty sand-cast brass mail flap, Salsbury 4150 modern mailboxes will provide years of maintenance free service.

Mounting the Modern Mailbox to a Flat Wall

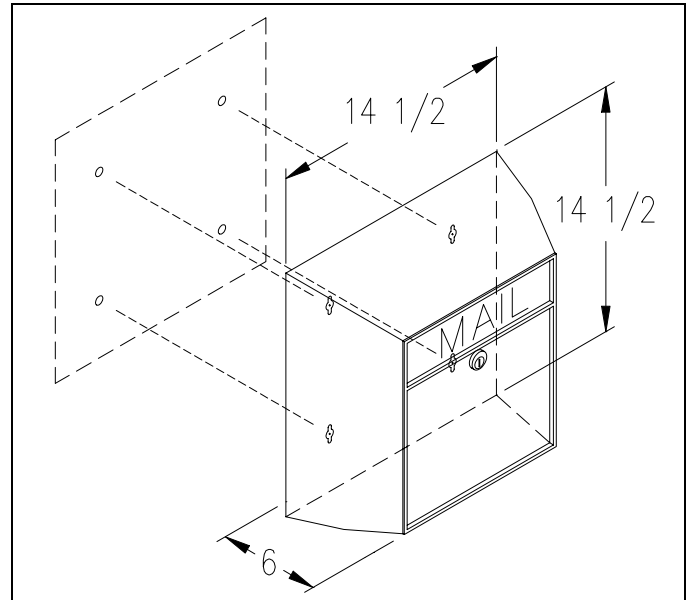
1. The installation fasteners are not provided due to the variation in wall types to which the mailbox might be mounted. Select fasteners and anchors appropriate for the type of wall.
2. Mounting access is provided by opening the mail flap and mail access door.
3. Where possible, it is best to shield the mailbox from direct weather conditions.
4. Contact your local U.S.P.S. office for the required height of the mailbox on the wall.
5. For convenience and security, the mounting holes are double key-holes. See illustration.
6. Holding the mailbox aligned horizontally in the mounting position, mark on the wall the position of the two upper mounting holes in the back wall of the mailbox.
7. Install the two top fasteners and hang the mailbox loosely on them.
8. Mark on the wall the position of the lower ends of the two lower key-holes.
9. Remove the mailbox and install the two lower fasteners.
10. Remove the lower fasteners, hang the mailbox on the wall, reinstall the two lower fasteners, and securely tighten all four fasteners.

Cleaning

Interior & Painted Exterior – Using a soft cloth or sponge, clean the interior and painted exterior of the mailbox with liquid soap, detergent, or diluted water-soluble household cleaners. Completely remove residue of any cleaning products with water, and thoroughly dry with a clean cloth or paper towel.

Cast Brass Mail Flap – The mail flap may be cleaned as indicated above. **DO NOT** use abrasive materials on polished cast brass surfaces.

4150 Modern Mailbox



SALSBURY INDUSTRIES

1010 East 62nd Street, Los Angeles, CA 90001-1598
Phone: 1-800-624-5269 Int'l Phone: 323-846-6700
Fax: 1-800-624-5299 Int'l Fax: 323-846-6800