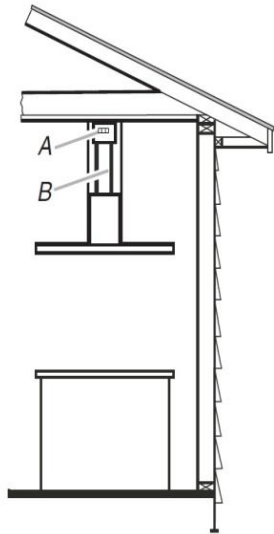


Recirculating Installations & Carbon Filters

Non-Vented (Recirculating) Installations

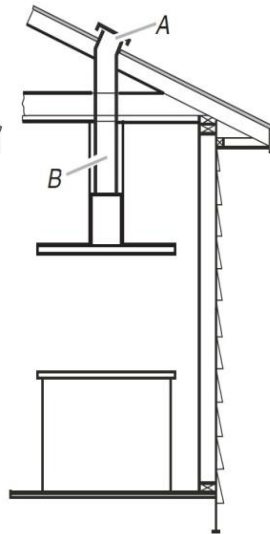
If it is not possible to vent cooking fumes and vapors to the outside, the hood can be used in the non-vented (recirculating) version, fitting a carbon filter at the motor. Fumes and vapors are then recycled through the top grille. Do not block the chimney holes and vents on either side.

Non-vented (recirculating)



A. Chimney hole
B. 6" (15.2 cm) round vent

Roof Venting



A. Roof cap
B. 6" (15.2 cm) round vent

Carbon Filter Care Guide

Carbon filters have to be replaced approximately every 6 months depending on the frequency of use. They cannot be washed and reused. Please replace carbon filters when your kitchen air is no longer smelling fresh and dispose of the used ones.

DO NOT WASH

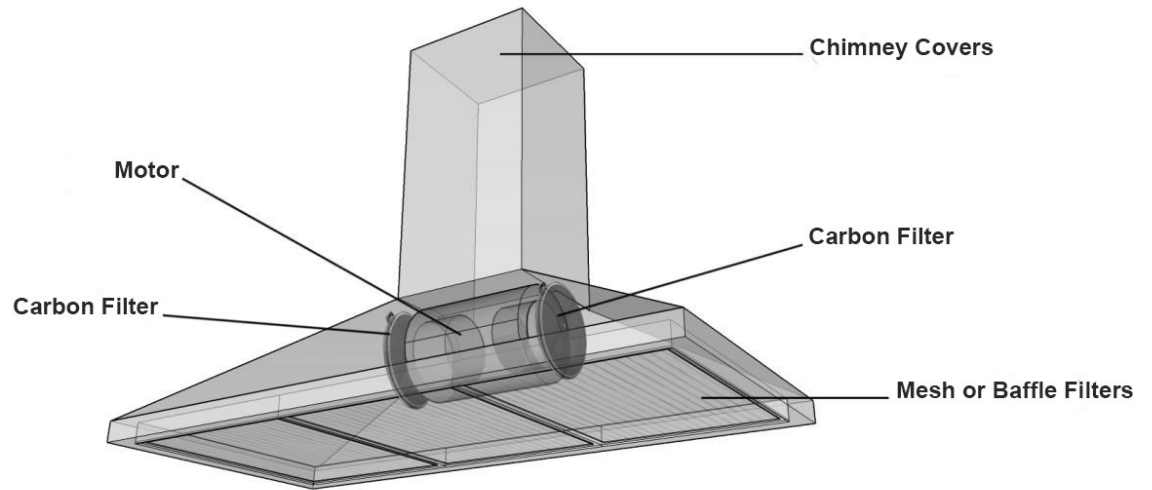
DO NOT REUSE

DO NOT OPEN

Ordering Carbon Filters

Carbon filters can be ordered on: ShopRangeHoods.com or by phone at: +1 (626) 321-9834. Please ask for Sales.

- * Navigate to *Replacement Parts* in the navigation bar
- * Click *Recirculating Kit*
- * Under *Options*, click and choose your model number/PID
- * Checkout to complete the ordering process



*Range Hood Pictured Will Vary

Installation Steps for Recirculating

Prerequisites:

- * 1 set of carbon filters (2 pcs.) ["Recirculating Kit"]

Step 1: Remove the mesh or baffle filters

Step 2: Locate the motor and the carbon filter clips on each side

Step 3: Place the carbon filters into the corresponding ends of the motor

Step 4: Twist each carbon filter until it clips into place