



300 AMP BATTERY JUMP-STARTER INSTRUCTION MANUAL



Intertek

Catalog Number J312B

**Thank you for choosing Black & Decker!
Go to www.Baccusglobal.com
to register your new product.**

PLEASE READ BEFORE RETURNING THIS PRODUCT FOR ANY REASON:

If you have a question or experience a problem with your purchase, go to
[HTTP://WWW.BACCUSGLOBAL.COM](http://WWW.BACCUSGLOBAL.COM)
for instant answers 24 hours a day.

If you can't find the answer or do not have access to the internet,
call 1-877-571-2391 from 9 a.m. to 5 p.m. EST, Mon. – Fri. to speak with an agent.
Please have the catalog number available when you call.

SAVE THIS MANUAL FOR FUTURE REFERENCE.

Cat. # J312B
Copyright © 2014 Baccus Global LLC

July 2014
Printed in China

This device complies with part 15 of the FCC rules. Operation is subject to the following two conditions: (1) this device may not cause harmful interference, and (2) this device must accept any interference received, including interference that may cause undesired operation.

This equipment has been tested and found to comply with the limits for a Class B digital device, pursuant to part 15 of the FCC Rules. These limits are designed to provide reasonable protection against harmful interference in a residential installation. This equipment generates, uses and can radiate radio frequency energy and, if not installed and used in accordance with the instructions, may cause harmful interference to radio communications. However, there is no guarantee that interference will not occur in a particular installation. If equipment does cause harmful interference to radio or television reception, which can be determined by turning the equipment off and on, the user is encouraged to try to correct the interference by one or more of the following measures:

- Reorient or relocate the receiving antenna.
- Increase the separation between equipment and receiver.
- Connect the equipment into an outlet on a circuit different from that to which the receiver is connected.
- Consult the dealer or an experienced radio/TV technician for help.

Changes or modifications not approved by the party responsible for compliance could void user's authority to operate the equipment.

SAFETY GUIDELINES / DEFINITIONS

⚠ **DANGER:** Indicates an imminently hazardous situation which, if not avoided, will result in death or serious injury.

⚠ **WARNING:** Indicates a potentially hazardous situation which, if not avoided, could result in death or serious injury.

⚠ **CAUTION:** Indicates a potentially hazardous situation which, if not avoided, may result in minor or moderate injury.

CAUTION: Used without the safety alert symbol indicates potentially hazardous situation which, if not avoided, may result in property damage.

RISK OF UNSAFE OPERATION. When using tools or equipment, basic safety precautions should always be followed to reduce the risk of personal injury. Improper operation, maintenance or modification of tools or equipment could result in serious injury and property damage. There are certain applications for which tools and equipment are designed. Manufacturer strongly recommends that this product NOT be modified and/or used for any application other than for which it was designed. Read and understand all warnings and operating instructions before using any tool or equipment.

IMPORTANT SAFETY INSTRUCTIONS

READ ALL INSTRUCTIONS

⚠ **WARNING: Read all instructions before operating jump-starter. Failure to follow all instructions listed below may result in electric shock, fire and/or serious injury.**

GENERAL SAFETY WARNINGS AND INSTRUCTIONS

⚠ **WARNING:** This product or its power cord contains lead, a chemical known to the State of California to cause cancer and birth defect or other reproductive harm. Wash hands after handling.

• **This unit was designed for household use only.**

⚠ **WARNING: WARNING – TO REDUCE THE RISK OF FIRE, ELECTRIC SHOCK, BURST HAZARD, OR INJURY TO PERSONS OR PROPERTY:**

• **Avoid dangerous environments.** Don't use appliances in damp or wet locations. Don't use appliances in the rain.

• **Keep children away.** All visitors should be kept at a distance from work area.

• **Dress properly.** Do not wear loose clothing or jewelry. They can be caught in moving parts.

Rubber gloves and substantial, non-skid footwear are recommended when working outdoors. Wear protective hair covering to contain long hair.

• **Use safety glasses and other safety equipment.** Use safety goggles or safety glasses with side shields, complying with applicable safety standards. Safety glasses or the like are available at extra cost at your local dealer.

- **Store idle appliance indoors.** When not in use, appliances should be stored indoors in dry, and high or locked-up place – out of reach of children.
- **Don't abuse cord.** Never carry appliance by cord or yank it to disconnect from receptacle. Keep cord from heat, oil, and sharp edges.
- **Disconnect appliances.** Disconnect the appliance from the power supply when not in use, before servicing, and when changing accessories.
- **Ground Fault Circuit Interrupter (GFCI) protection** should be provided on the circuits or outlets to be used. Receptacles are available having built in GFCI protection and may be used for this measure of safety.
- **Use of accessories and attachments.** The use of any accessory or attachment not recommended for use with this appliance could be hazardous. Refer to the accessory section of this manual for further details.
- **Stay alert.** Use common sense. Do not operate this equipment when you are tired or impaired.
- **Check for damaged parts.** A part that is damaged should be properly repaired or replaced by manufacturer before further use unless otherwise indicated elsewhere in this instruction manual. Have defective switches replaced by manufacturer. Do not use this appliance if the power button does not turn it on and off.
- **Do not operate this appliance near flammable liquids or in gaseous or explosive atmospheres.** Motors in these tools normally spark, and the sparks might ignite fumes.
- **Never submerge this unit in water;** do not expose it to rain, snow or use when wet.
- **To reduce risk of electric shock,** disconnect the unit from any power source before attempting maintenance or cleaning. Turning off controls without disconnecting will not reduce this risk.
- **This equipment employs parts (switches, relays, etc.) that produce arcs or sparks.** Therefore, if used in a garage or enclosed area, the unit **MUST** be placed not less than 18 inches above the floor.
- **Do not use this unit to operate appliances that need more than 5 amps to operate from the 12 volt DC accessory outlet.**
- **Do not insert foreign objects into the 12 volt DC accessory outlet or the USB port.**

SPECIFIC SAFETY INSTRUCTIONS FOR CHARGING THIS UNIT

- **IMPORTANT:** This unit is delivered in a partially charged state. Fully charge unit with a household extension cord (not supplied) for a full 24 hours before using for the first time. You cannot overcharge the unit using the AC charging method.
- To recharge this unit, use only the built-in AC Charger.
- All Power switches should be in the OFF position when the unit is charging or not in use. Make sure all switches are in the OFF position before connection to a power source or load.

⚠ **WARNING: SHOCK HAZARD**

• **Outdoor use extension cords.** When appliance is used outdoors, use only extension cords intended for use outdoors and so marked.

• **Extension cords.** Make sure your extension cord is in good condition. When using an extension cord, be sure to use one heavy enough to carry the current your product will draw. An undersized cord will cause a drop in line voltage resulting in loss of power and overheating. The following table shows the correct size to use depending on cord length and nameplate ampere rating. If in doubt, use the next heavier gauge. The smaller the gauge number, the heavier the cord.

Volts	MINIMUM GAGE FOR CORD SETS				
	Total Length of Cord in Feet				
120V	0-25	26-50	51-100	101-150	
	(0-7.6m)	(7.6-15.2m)	(15.2-30.4m)	(30.4-45.7m)	
240V	0-50	51-100	101-200	201-300	
	(0-15.2m)	(15.2-30.4m)	(30.4-60.9m)	(60.9-91.4m)	
Ampere Rating		Extension Cord Length			
More Than	Not more Than	0'-25'	26'-50'	51'-100'	101'-150'
		American Wire Gauge (AWG)			
0 -	6	18	16	16	14
6 -	10	18	16	14	12
10 -	12	16	16	14	12
12 -	16	14	12	Not Recommended	

When an extension cord is used, make sure that:

- the pins of extension cord are the same number, size and shape as those in the charger,
- the extension cord is properly wired and in good electrical condition,
- the wire size is large enough for the AC rating of the charger.

⚠ **CAUTION: TO REDUCE THE RISK OF INJURY OR PROPERTY DAMAGE:** Pull by connector rather than cord when disconnecting the extension cord from the unit; and by plug when disconnecting the extension cord from an AC outlet.

SPECIFIC SAFETY INSTRUCTIONS FOR JUMP-STARTERS

⚠ **WARNING: BURST HAZARD**

Do not use the unit for charging dry-cell batteries that are commonly used with home appliances. These batteries may burst and cause injury to persons and damage property. Use the unit for charging/boosting a lead-acid battery only. It is not intended to supply power to a low-voltage electrical system other than in a starter-motor application.

- Use of an attachment not supplied, recommended or sold by manufacturer specifically for use with this unit may result in a risk of electrical shock and injury to persons.

⚠ **WARNING: RISK OF EXPLOSIVE GASES**

Working in the vicinity of a lead acid battery is dangerous. Batteries generate explosive gases during normal battery operation. For this reason, it is of the utmost importance that each time before using the jump-starter you read this manual and follow instructions exactly.

- To reduce the risk of battery explosion, follow these instructions and those published by the battery manufacturer and manufacturer of any equipment you intend to use in the vicinity of the battery.

Review cautionary markings on these products and on the engine.

⚠ **CAUTION: TO REDUCE THE RISK OF INJURY OR PROPERTY DAMAGE:**

• **NEVER ATTEMPT TO JUMP-START OR CHARGE A FROZEN BATTERY.**

- Vehicles that have on-board computerized systems may be damaged if vehicle battery is jump-started. Before jump-starting, read the vehicle's owner's manual to confirm that external-starting assistance is suitable.
- When working with lead acid batteries, always make sure immediate assistance is available in case of accident or emergency.
- Always have protective eyewear when using this product: contact with battery acid may cause blindness and/or severe burns. Be aware of first aid procedures in case of accidental contact with battery acid.
- Have plenty of fresh water and soap nearby in case battery acid contacts skin.
- Never smoke or allow a spark or flame in vicinity of vehicle battery, engine or power station
- Remove personal metal items such as rings, bracelets, necklaces and watches when working with a lead acid battery. A lead acid battery can produce a short circuit current high enough to weld a ring, or similar metal object, to skin, causing a severe burn.
- Do not wear vinyl clothing when jump-starting a vehicle when jump-starting a vehicle, friction can cause dangerous static-electrical sparks.
- Jump-start procedures should only be performed in a safe, dry, well-ventilated area.
- Always store battery clamps when not in use. Never touch battery clamps together. This can cause dangerous sparks, power arcing and/or explosion.
- When using this unit close to the vehicle's battery and engine, stand the unit on a flat, stable surface, and be sure to keep all clamps, cords, clothing and body parts away from moving vehicle parts.
- Never allow red and black clamps to touch each other or another common metal conductor — this could cause damage to the unit and/or create a sparking/explosion hazard.
 - a) For negative-grounded systems, connect the POSITIVE (RED) clamp to the POSITIVE ungrounded battery post and the NEGATIVE (BLACK) clamp to the vehicle chassis or engine block away from the battery. Do not connect the clamp to the carburetor, fuel lines or sheet-metal body parts. Connect to a heavy gauge metal part of the frame or engine block.
 - b) For positive-grounded systems, connect the NEGATIVE (BLACK) clamp to the NEGATIVE ungrounded battery post and the POSITIVE (RED) clamp to the vehicle chassis or engine block away from the battery. Do not connect the clamp to the carburetor, fuel lines or sheet-metal body parts. Connect to a heavy gauge metal part of the frame or engine block.
- If the connections to the battery's POSITIVE and NEGATIVE terminals are incorrect, the Reverse Polarity Indicator will light (red) and the unit will sound a continuous alarm until the clamps are disconnected. Disconnect clamps and reconnect to battery with correct polarity.

- Always disconnect the negative (Black) jumper cable first, followed by the positive (Red) jumper cable, except for positive grounded systems.
- Do not expose battery to fire or intense heat since it may explode. Before disposing of the battery, protect exposed terminals with heavy-duty electrical tape to prevent shorting (shorting can result in injury or fire).
- Place this unit as far away from the battery as cables permit.
- Never allow battery acid to come in contact with this unit.
- Do not operate this unit in a closed area or restrict ventilation in any way.
- This system is designed to be used only on vehicles with a 12 volt DC battery system. Do not connect to a 6 volt or 24 volt battery system.
- This system is not designed to be used as a replacement for a vehicular battery. Do not attempt to operate a vehicle that does not have a battery installed.
- Excessive engine cranking can damage a vehicle's starter motor. If the engine fails to start after the recommended number of attempts, discontinue jump-start procedures and look for other problems that may need to be corrected.
- Do not use this jump-starter on a watercraft. It is not qualified for marine applications.
- Although this unit contains a non-spillable battery, it is recommended that unit be kept upright during storage, use and recharging. To avoid possible damage that may shorten the unit's working life, protect it from direct sunlight, direct heat and/or moisture.

FIRST AID

- **Skin:** If battery acid contacts skin or clothing, wash immediately with soap and water for at least 10 minutes. If redness, pain, or irritation occurs, seek immediate medical attention.
- **Eyes:** If battery acid comes in contact with eyes, flush eyes immediately, for a minimum of 15 minutes and seek immediate medical attention.

SAVE THESE INSTRUCTIONS

INTRODUCTION

Congratulations on purchasing your new **Black & Decker® 300Amp Jump-Starter**. Read this Instruction Manual and follow the instructions carefully before using this unit.

FEATURES



1. 12 Volt DC Accessory Outlet (under protective cover)
2. Jump-Starter Power Switch
3. Rubber Grip Handle
4. Positive (+) Red Clamp
5. USB Power Indicator
6. USB Power Button
7. USB Port (under protective cover)
8. Battery Status LED Indicators
9. Battery Power Level Button
10. Reverse Polarity Indicator
11. Negative (-) Black Clamp
12. Built-in 120 Volt AC Charger (under protective cover)

CHARGING/RECHARGING

Lead-acid batteries require routine maintenance to ensure a full charge and long battery life. All batteries lose energy from self-discharge over time and more rapidly at higher temperatures. Therefore, batteries need periodic charging to replace energy lost through self-discharge. When the unit is not in frequent use, manufacturer recommends the battery be recharged at least every 30 days.

Notes: This unit is delivered in a partially charged state – you must fully charge it upon purchase and before using it for the first time. Initial AC charge should be for 24 hours.

Recharging battery after each use will prolong battery life; frequent heavy discharges between recharges and/or overcharging will reduce battery life. The battery can be recharged using the Built-In 120 Volt AC Charger.

Make sure all other unit functions are turned off during recharging, as this can slow the recharging process.

If the battery is overly discharged and the green LED lights when the charger is plugged in, this indicates the battery is at a high impedance stage. If this occurs, recharge the unit and leave it charging for a period of 24-48 hours before use.

CAUTION: RISK OF PROPERTY DAMAGE: Failure to keep the battery charged will cause permanent damage and result in poor jump starting performance.

Charging/Recharging Using the 120 Volt AC Charger and a Standard Household Extension Cord (not included)

1. Lift the AC adapter cover located on the back of the unit and connect an extension cord to the unit. Plug the other end of the cord into a standard 120-volt AC wall outlet.
2. Charge until the green Battery Status LED Indicator lights solid or flashes.
3. Disconnect the extension cord and depress the battery status button. If all 3 status lights illuminate, the unit is fully charged.

JUMP-STARTER

This Jump-Starter is equipped with an Jump-Starter Power Switch. Once the connections are properly made, turn the switch on to jump-start the vehicle.

1. Turn off vehicle ignition and all accessories (radio, A/C, lights, connected cell phone chargers, etc.). Place vehicle in “park” and set the emergency brake.
2. Make sure the Jump-Starter Power Switch is turned to off.
3. Remove jumper clamps from clamp tabs. Connect the red clamp first, then the black clamp.
4. **Procedure for jump-starting a NEGATIVE GROUNDED SYSTEM (negative battery terminal is connected to chassis) (MOST COMMON)**
 - 4a. Connect positive (+) red clamp to vehicle battery’s positive terminal.
 - 4b. Connect negative (-) black clamp to chassis or a solid, non-moving, metal vehicle component or body part. Never clamp directly to negative battery terminal or moving part. Refer to the automobile owner’s manual.
5. **Procedure for jump-starting POSITIVE GROUND SYSTEMS**

Note: In the rare event that the vehicle to be started has a Positive Grounded System (positive battery terminal is connected to chassis), replace steps 4a and 4b above with steps 5a and 5b, then proceed to step 6.

 - 5a. Connect negative (-) black clamp to vehicle battery’s negative terminal.
 - 5b. Connect positive (+) red clamp to vehicle chassis or a solid, non-moving, metal vehicle component or body part. Never clamp directly to Positive battery terminal or moving part. Refer to the automobile owner’s manual.
6. When clamps are connected properly, turn the Jump-Starter Power Switch to ON.
7. Turn ON the ignition and crank the engine in 5-6 second bursts until engine starts.
8. Turn the Jump-Starter Power Switch back to the OFF position.
9. Disconnect the negative (-) engine or chassis clamp first, then disconnect the positive (+) battery clamp.

WARNING: TO REDUCE THE RISK OF INJURY OR PROPERTY DAMAGE:

FOLLOW ALL SAFETY INSTRUCTIONS FOUND IN THE “SPECIFIC SAFETY INSTRUCTIONS FOR JUMP STARTERS” SECTION OF THIS INSTRUCTION MANUAL.

- This power system is to be used ONLY on vehicles with 12-volt DC battery systems.
- Never touch red and black clamps together — this can cause dangerous sparks, power arcing, and/or explosion.
- After use, turn the Jump-Starter Power Switch off.

CAUTION: TO REDUCE THE RISK OF PROPERTY DAMAGE:

- Vehicles that have on-board computerized systems may be damaged if vehicle battery is jump-started. Before jump-starting this type of vehicle, read the vehicle manual to confirm that external-starting assistance is advised.
- Excessive engine cranking can damage the vehicle’s starter motor. If the engine fails to start after the recommended number of attempts, discontinue jump-start procedure and look for other problems that need to be corrected.
- If the connections to the battery’s positive and negative terminals are incorrect, the Reverse Polarity Indicator will light and the unit will sound a continuous alarm until the clamps are disconnected. Disconnect clamps and reconnect to battery with correct polarity.
- If vehicle fails to start, turn off the ignition, turn off the Jump-Starter Power Switch, disconnect the jump-start system’s leads and contact a qualified technician to investigate why the engine did not start.
- Recharge this unit fully after each use.

12 VOLT DC PORTABLE POWER SUPPLY

This portable power source is also for use with all 12 volt DC accessories equipped with a male accessory outlet plug and are rated up to 5 amps.

1. Lift up the cover of the unit’s 12 volt DC outlet.
2. Insert the 12 volt DC plug from the appliance into the 12 volt accessory outlet on the unit. DO NOT EXCEED A 5 AMP LOAD.
3. Switch on the appliance and operate as usual.
4. Periodically press the battery power level pushbutton to check battery status. (When all three battery status LEDs light, it indicates a full battery. Only one red battery status indicator light indicates that the unit needs to be recharged.)

USB PORT

The USB power port is under the same protective cover as the 12 volt DC outlet on the left hand side of the front panel (refer to the Features section to locate)..

1. Push the USB power button to turn the USB port on and the USB power indicator will light.
2. Lift up the cover of the USB charging port.
3. Plug the USB-powered device into the USB charging port and operate normally.
4. Periodically check the unit’s battery status by pressing the battery power level button. (When all three battery status LEDs light, it indicates a full battery. Only one red battery status indicator light indicates that the unit needs to be recharged.)

Notes: This unit’s USB Power Port does not support data communication. It only provides 5 volts/2,000mA DC power to an external USB-powered device.

Make sure the USB Power Button is in the off position when the unit is being recharged or stored.

Some household USB-powered electronics will not operate with this unit.

CARE AND MAINTENANCE

All batteries lose energy from self-discharge over time and more rapidly at higher temperatures. When the unit is not in use, we recommend that the battery is charged at least every 30 days.

Never submerge the unit in water. If the unit gets dirty, gently clean the outer surfaces of the unit with a soft cloth moistened with a mild solution of water and detergent.

There are no user-replaceable parts. Periodically inspect the condition of adapters, connectors and wires. Contact manufacturer to replace any components that have become worn or broken.

Battery replacement/disposal

BATTERY REPLACEMENT

The battery should last the service life of the unit. Service life is dependent on a number of factors including but not limited to the number of recharge cycles, and proper care and maintenance of the battery by the end user. Contact manufacturer for any information you may need.

SAFE BATTERY DISPOSAL

Contains a maintenance-free, sealed, non-spillable, lead acid battery, which must be disposed of properly. Recycling is required; contact your local waste management authority to dispose of this product. Failure to comply with local, state and federal regulations can result in fines, or imprisonment.



⚠️ WARNINGS:

- Do not dispose of the battery in fire as this may result in an explosion.
- Before disposing of the battery, protect exposed terminals with heavy-duty electrical tape to prevent shorting (shorting can result in injury or fire).
- Do not expose battery to fire or intense heat as it may explode.

TROUBLESHOOTING

Problem	Solution
Unit will not charge	<ul style="list-style-type: none">• Make sure the power switch is in the off position.• Make sure a suitable gage extension cord is properly connected to both the unit and a functioning AC outlet.
Unit fails to jump-start	<ul style="list-style-type: none">• Make sure unit's power switch is in the ON position.• Make sure a proper polarity cable connection has been established• Check that unit has a full charge. Recharge unit if necessary.
12 volt DC portable power supply will not power appliance	<ul style="list-style-type: none">• Make sure the appliance does not draw more than 5 amps.• Check that unit has a full charge. Recharge unit if necessary.
USB port will not power appliance	<ul style="list-style-type: none">• Make sure the appliance being powered does not draw more than 2,000mA.• Some USB-powered household electronics will not operate with this USB port. Check the manual of the corresponding electronic device to confirm that it can be used with this type of USB port.• Make sure the USB charging port Power Button is in the on position.• Check that unit has a full charge. Recharge unit if necessary.

ACCESSORIES

Recommended accessories for use with your tool may be available from the manufacturer. If you need assistance regarding accessories, please contact the manufacturer at (877) 571-2391.

⚠️ **WARNING:** The use of any accessory not recommended for use with this appliance could be hazardous.

SERVICE INFORMATION

Whether you need technical advice, repair, or genuine factory replacement parts, contact the manufacturer at (877) 571-2391.

ONE-YEAR LIMITED WARRANTY

The manufacturer warrants this product against defects in materials and workmanship for a period of ONE (1) YEAR from the date of retail purchase by the original end-user purchaser ("Warranty Period").

If there is a defect and a valid claim is received within the Warranty Period, the defective product can be replaced or repaired in the following ways: (1) Return the product to the manufacturer for repair or replacement at manufacturer's option. Proof of purchase may be required by manufacturer. (2) Return the product to the retailer where product was purchased for an exchange (provided that the store is a participating retailer). Returns to retailer should be made within the time period of the retailer's return policy for exchanges only (usually 30 to 90 days after the sale). Proof of purchase may be required. Please check with the retailer for their specific return policy regarding returns that are beyond the time set for exchanges.

This warranty does not apply to accessories, bulbs, fuses and batteries; defects resulting from normal wear and tear, accidents; damages sustained during shipping; alterations; unauthorized use or repair; neglect, misuse, abuse; and failure to follow instructions for care and maintenance for the product.

This warranty gives you, the original retail purchaser, specific legal rights and you may have other rights which vary from state to state or province to province. This product is not intended for commercial use.

Please complete the Product Registration Card and return within 30 days from purchase of the product to: Baccus Global LLC, 595 S. Federal Highway, Suite 210, Boca Raton, FL 33432. **Baccus Global LLC, toll-free number: 1-877-571-2391.**

SPECIFICATIONS

Boost Ampere:	12Vdc, 300A instantaneous
Battery Type:	Maintenance-free, sealed lead acid, 12 volt DC, 7aH
AC input:	120Vac, 60Hz, 9W
DC Accessory Outlet:	12Vdc, 5A
USB Port:	5Vdc, 2,000mA

Imported by Baccus Global LLC, 595 S. Federal Highway, Suite 210, Boca Raton, FL 33432
(877) 571-2391

BLACK & DECKER®

PUENTE AUXILIAR DE ARRANQUE DE 300A MANUAL DE INSTRUCCIONES



Número de catálogo J312B

¡Gracias por elegir Black & Decker!
Visite www.Baccusglobal.com
para registrar su nuevo producto.

LEA EL MANUAL ANTES DE DEVOLVER ESTE PRODUCTO POR CUALQUIER MOTIVO:

Si tiene una consulta o algún inconveniente con su producto, visite
[HTTP://WWW.BACCUSGLOBAL.COM](http://www.BACCUSGLOBAL.COM)

para obtener respuestas instantáneas las 24 horas del día.

Si no encuentra la respuesta o no tiene acceso al Internet, llame al 1-877-571-2391 de
Lunes a Viernes de 9 a.m. a 5 p.m. hora del Este para hablar con un agente.

Cuando llame, tenga a mano el número de catálogo.

CONSERVE ESTE MANUAL PARA FUTURAS CONSULTAS.

Nº de Catálogo: J312B
Derechos Reservados © 2014 Baccus Global

Julio 2014
Impreso en China

Este dispositivo cumple con la parte 15 de las normas de la Comisión Federal de Comunicaciones de Estados Unidos (FCC). La operación está sujeta a las dos condiciones siguientes: (1) este dispositivo no puede causar interferencia perjudicial y (2) este mecanismo debe aceptar cualquier interferencia recibida, incluida la in-terferencia que puede provocar una operación no deseada.

Este equipo ha sido probado y se encontró que cumple con los límites para dispositivo digital Clase B, según la parte 15 de las normas de la FCC. Estos límites están diseñados para brindar protección razonable contra interferencia perjudicial en una instalación residencial. Este equipo genera, usa y puede irradiar energía en frecuencia de radio y, si no se instala y se usa de acuerdo con las instrucciones, puede provocar interferencia perjudicial en las comunicaciones de radio. Sin embargo, no hay garantía de que la interferencia no ocurra en una instalación en particular. Si el equipo provoca interferencia perjudicial en la recepción de radio o televisión, lo que se puede determinar al apagar y encender el equipo, el usuario debe tratar de corregir la interferencia mediante una o más de las siguientes medidas:

- Cambiar la orientación o la ubicación de la antena de recepción.
- Aumentar la separación entre el equipo y el receptor.
- Conectar el equipo a un tomacorriente sobre un circuito diferente de aquel al que está conectado el receptor.
- Consultar al vendedor o pedir la ayuda de un técnico en radio y televisión con experiencia.

Los cambios o las modificaciones no aprobados por el partido responsable de conformidad podían anular la autoridad del usuario para funcionar el equipo.

NORMAS DE SEGURIDAD / DEFINICIONES

⚠ PELIGRO: Indica una situación de peligro inminente que, si no se evita, provocará la muerte o lesiones graves.

⚠ ADVERTENCIA: Indica una situación de peligro inminente que, si no se evita, provocará la muerte o lesiones graves.

⚠ PRECAUCIÓN: Indica una situación de peligro potencial que, si no se evita, puede provocar lesiones leves o moderadas.

PRECAUCIÓN: Utilizado sin el símbolo de alerta de seguridad indica una situación de peligro potencial que, si no se evita, puede provocar daños a la propiedad.

RIESGO DE OPERACIÓN INSEGURA. Cuando se utilizan herramientas o equipos, siempre se deben respetar las precauciones de seguridad para reducir el riesgo de lesiones personales. La operación, el mantenimiento o la modificación incorrectos de herramientas o equipos pueden provocar lesiones graves y daños a la propiedad. Las herramientas y los equipos están diseñados para usos determinados. Fabricante recomienda encarecidamente que NO se modifique este producto y que NO se utilice para ningún otro uso que aquél para el que fue diseñado. Lea y comprenda todas las instrucciones operativas y las advertencias antes de utilizar cualquier herramienta o equipo.

INSTRUCCIONES IMPORTANTES DE SEGURIDAD

LEA TODAS LAS INSTRUCCIONES

⚠ ADVERTENCIA: Lea todas las instrucciones antes de operar el puente auxiliar de arranque o compresor. El incumplimiento de todas las instrucciones enumeradas a continuación puede provocar una descarga eléctrica, un incendio o lesiones graves.

ADVERTENCIAS E INSTRUCCIONES DE SEGURIDAD GENERALES

⚠ ADVERTENCIA: Este producto o su cable de alimentación contiene plomo, una sustancia química reconocida por el Estado de California como causante de cáncer, defectos de nacimiento u otros problemas reproductivos. Lávese las manos después de utilizarlo.

• **Esta unidad fue diseñada para el uso doméstico solamente.**

⚠ ADVERTENCIA – PARA REDUCIR EL RIESGO DE INCENDIOS, DESCARGAS ELÉCTRICAS, PELIGRO DE EXPLOSIÓN O LESIONES A PERSONAS O PROPIEDADES:

• **Evite las condiciones ambientales peligrosas.** No utilice artefactos en zonas húmedas o mojadas. No utilice artefactos bajo la lluvia.

• **Mantenga a los niños alejados.** Los visitantes deben mantenerse a cierta distancia del área de trabajo.

• **Use la vestimenta adecuada.** No use ropas holgadas o joyas. Pueden atascarse en las piezas en movimiento. Se recomienda utilizar guantes de goma y calzado antideslizante considerable al trabajar al aire libre. Recójase y cubra el cabello largo.

- **Use anteojos de seguridad y cualquier otro equipo de seguridad.** Use anteojos protectores o lentes de seguridad con protección lateral que cumplan con las normas de seguridad aplicables. Puede conseguir anteojos de seguridad o similares a un costo adicional en su distribuidor local.
- **Guarde los artefactos que no utilice en el interior.** Cuando no los utilice, los artefactos deben guardarse bajo techo, en un lugar seco, alto o bajo llave, lejos del alcance de los niños.
- **No tire del cable.** Nunca transporte el aparato por el cable ni lo jale para desconectarlo del tomacorriente. Mantenga el cable alejado del calor, el aceite y los bordes afilados.
- **Desconecte los aparatos.** Desconecte el aparato de la fuente de energía cuando no lo utilice, antes de realizar un mantenimiento y al cambiar accesorios como hojas y elementos semejantes.
- **La protección del interruptor de corte por falla a tierra (GFCI)** debe aplicarse a los circuitos o los tomacorrientes que se utilizarán. Hay tomacorrientes con protección GFCI incorporada que pueden utilizarse para tomar esta medida de seguridad.
- **Uso de accesorios y suplementos.** El uso de accesorios o dispositivos no recomendados para utilizar con este aparato puede resultar peligroso. Consulte la sección "Accesorios" de este manual para obtener detalles adicionales.
- **Manténgase alerta.** Use el sentido común. No opere este equipo si está cansado o con impedimentos.
- **Revise por partes dañadas.** Una pieza que esté dañada debe ser reparada o sustituida por el fabricante a menos que se indique lo contrario en este manual de instrucciones. Haga que todos los interruptores defectuosos sean reemplazados por el fabricante. No utilice la herramienta si el interruptor no la enciende y apaga.
- **No funcione el aparato cerca de líquidos inflamables o en atmósferas gaseosas o explosivas.** Los motores de estas herramientas normalmente chispean, y las chispas pueden encender los vapores.
- **Nunca sumerja esta unidad en agua;** no la exponga a la lluvia, la nieve, ni la use cuando esté mojada.
- **Para reducir el riesgo de descarga eléctrica,** desconecte la unidad de cualquier fuente de energía antes de intentar limpiarla o realizarle un mantenimiento. Apagar los controles sin desenchufar la unidad no reducirá este riesgo.
- **Este equipo emplea piezas (interruptores y relés) que producen arcos o chispas.** Por lo tanto, si utiliza la unidad en una cochera o un área cerrada, DEBE colocarla a no menos de 457 mm (18 pulgadas) por encima del piso.
- **No utilice esta unidad para operar aparatos que necesitan más de 5 A para funcionar del tomacorriente para accesorios de CC de 12 voltios.**
- **No inserte los objetos extranjeros en el enchufe del accesorio de la CC de 12 voltios o el puerto USB.**

INSTRUCCIONES DE SEGURIDAD ESPECÍFICAS PARA CARGAR ESTA UNIDAD

- **IMPORTANTE:** Esta unidad se entrega en un estado de carga parcial. Cargue la unidad completamente con el cable de extensión para uso doméstico (no incluido) durante 24 horas antes de utilizarla por primera vez. No puede sobrecargar la unidad utilizando el método de carga de CA.
 - Para recargar esta unidad, utilice solamente el cargador incorporado de la CA.
 - Todos los interruptores de alimentación deben estar en la posición de apagado (OFF) cuando se carga la unidad o cuando no está en uso. Asegúrese de que todos los interruptores estén en la posición de apagado (OFF) antes de realizar la conexión a una fuente de energía o carga.
- ⚠ **ADVERTENCIA, RIESGO DE DESCARGA ELÉCTRICA**
- **No opere la unidad con un cable o enchufe dañados,** o si ésta ha recibido un golpe fuerte, se cayó o presenta algún daño. No desarme la unidad; llévela a un técnico de servicio calificado cuando se requiera mantenimiento o una reparación. Volver a armarla de manera incorrecta podría provocar un riesgo de descarga eléctrica o un incendio, y anulará la garantía.
 - **En espacios abiertos, use cables de extensión.** Cuando opere la herramienta al aire libre, utilice solamente cables de extensión diseñados para su uso al aire libre o marcados como tales.
 - **Cables de extensión.** Asegúrese de que el cable de extensión esté en buenas condiciones. Cuando utilice un cable de extensión, cerciórese de que tenga la capacidad para conducir la corriente que su producto exige. Un cable de menor capacidad provocará una disminución en el voltaje de la línea, lo cual producirá una pérdida de potencia y sobrecalentamiento. La siguiente tabla muestra la medida correcta que debe utilizar según la longitud del cable y la capacidad nominal en amperios indicada en la placa. En caso de duda, utilice el calibre inmediatamente superior. Cuanto menor es el número de calibre, más grueso es el cable.

CALIBRE MÍNIMO PARA LOS JUEGOS DE CABLES					
Voltios	Largo total del cable en pies				
	0-25 (0-7.6m)	26-50 (7.6-15.2m)	51-100 (15.2-30.4m)	101-150 (30.4-45.7m)	
120V					
240V	0-50 (0-15.2m)	51-100 (15.2-30.4m)	101-200 (30.4-60.9m)	201-300 (60.9-91.4m)	
Grado del amperio		Longitud de la cable de extensión			
Más que	No más que	0'-25'	26'-50'	51'-100'	101'-150'
Calibrador de alambre Americano (AWG)					
0 -	6	18	16	16	14
6 -	10	18	16	14	12
10 -	12	16	16	14	12
12 -	16	14	12	No recomendado	

Quando se utiliza un cable de extensión, asegúrese de que:

- las patas del cable de extensión sean del mismo número, el mismo tamaño y la misma forma que las del cargador,
- el cable de extensión posea los conductores correctos y esté en buenas condiciones eléctricas,
- la medida del conductor sea suficientemente grande para la capacidad nominal en amperios.

⚠ **PRECAUCIÓN: PARA REDUCIR EL RIESGO DE LESIONES O DAÑO A LA PROPIEDAD:** Tire por conector y no del cable al desconectar el cable de extensión desde la unidad; y por el enchufe para desconectar el cable de extensión desde una toma de CA.

INSTRUCCIONES DE SEGURIDAD ESPECÍFICAS PARA AUXILIARES DE ARRANQUE

⚠ **ADVERTENCIA, PELIGRO DE ESTALLIDO**

No utilice la unidad para cargar las baterías secas que se usan normalmente con los aparatos domésticos. Estas baterías pueden estallar y provocar lesiones a las personas y daños a la propiedad. Use la unidad para carga/ refuerzo solamente de una batería de plomo-ácido. No está diseñada para proveer energía a un sistema eléctrico de bajo voltaje que no sea para arrancar un motor.

- El uso de un dispositivo no suministrado, recomendado o vendido por el fabricante específicamente para el uso con esta unidad puede provocar riesgo de descarga eléctrica y lesiones a las personas.

⚠ **ADVERTENCIA: RIESGO DE GASES EXPLOSIVOS**

- Trabajar cerca de una batería de plomo ácido es peligroso. Las baterías generan gases explosivos durante su funcionamiento normal. Por esta razón, es muy importante que siempre lea este manual antes de utilizar el puente auxiliar de arranque y que siga las instrucciones con exactitud.
- Para reducir el riesgo de explosión de la batería, siga estas instrucciones y las publicadas por el fabricante de la batería y el fabricante de cualquier equipo que tenga la intención de utilizar cerca de la batería. Revise las indicaciones sobre precauciones en estos productos y en el motor.

⚠ **PRECAUCIÓN: PARA REDUCIR EL RIESGO DE LESIONES O DAÑO A LA PROPIEDAD:**

• **NUNCA INTENTE ARRANCAR MEDIANTE PUENTE NI CARGAR UNA BATERÍA CONGELADA.**

- Los vehículos que tienen sistemas computarizados incorporados pueden resultar dañados si la batería del vehículo se arranca mediante puente. Antes de arrancar mediante puente, lea el manual del cliente del vehículo para confirmar que la ayuda externa para arrancar es adecuada.
- Cuando trabaje con baterías de plomo-ácido, asegúrese de que siempre haya ayuda inmediata disponible en caso de accidente o emergencia.
- Utilice siempre protección para los ojos al emplear este producto; el contacto con el ácido de la batería puede producir ceguera o quemaduras graves. Conozca los procedimientos de primeros auxilios para el caso de contacto accidental con el ácido de la batería.
- Tenga al alcance mucha agua potable y jabón en el caso de que el ácido de la batería entre en contacto con la piel.
- Nunca fume, ni permita que hayan chispas o llamas cerca de la batería del vehículo, del motor o esta unidad.
- Quítese todos los artículos personales que sean de metal, como anillos, pulseras y relojes cuando trabaje con una batería de ácido de plomo. Una batería de plomo puede producir un cortocircuito lo suficientemente alto como para soldar un anillo o un objeto metálico a la piel causando quemaduras graves.

- No use ropa de vinilo cuando arranque un vehículo mediante puente; la fricción puede provocar chispas peligrosas a causa de la electricidad estática.
- Los procedimientos de arranque mediante puente sólo se deben realizar en un área segura, seca y bien ventilada.
- Almacene siempre las pinzas de la batería cuando no se usa. Nunca toque las pinzas de la batería entre sí. Esto puede generar chispas peligrosas, arcos eléctricos o explosión.
- Cuando use esta unidad cerca de la batería y el motor del vehículo, coloque la unidad sobre una superficie plana y estable, y asegúrese de mantener todas las pinzas, los cables, la ropa y las partes del cuerpo alejados de los elementos móviles del vehículo.
- Nunca deje que las pinzas roja y negra se toquen entre sí o con otro conductor metálico común, esto podría provocar daños a la unidad o crear un riesgo de chispas/explosión.
 - a) Para los sistemas con negativo a tierra, conecte la pinza del POSITIVO (ROJA) al borne sin conexión a tierra de la batería y la pinza del NEGATIVO (NEGRA) al bastidor del vehículo o al bloque del motor, lejos de la batería. No conecte la pinza al carburador, las cañerías de combustible o a las piezas de chapa de la carrocería. Conecte a una pieza de metal sólida del bastidor o del bloque del motor.
 - b) Para los sistemas con positivo a tierra, conecte la pinza del NEGATIVO (NEGRA) al borne sin conexión a tierra NEGATIVO de la batería y la pinza del POSITIVO (ROJA) al bastidor del vehículo o al bloque del motor, lejos de la batería. No conecte la pinza al carburador, las cañerías de combustible o a las piezas de chapa de la carrocería. Conecte a una pieza de metal sólida del bastidor o del bloque del motor.
- Si las conexiones a los terminales POSITIVO y NEGATIVO son incorrectas, el indicador de polaridad invertida se encenderá (de color rojo) y la unidad sonará una alarma continua hasta que se desconectan las pinzas. Desconecte las pinzas y vuelva a conectarlas a la batería con la polaridad correcta.
- Siempre desconecte primero el cable del puente del negativo (negro) y luego el cable del puente del positivo (rojo), excepto para los sistemas con positivo a tierra.
- No exponga la batería al fuego o a un calor intenso, porque puede explotar. Antes de eliminar la batería, proteja los terminales expuestos con cinta aislante para trabajo pesado para evitar cortocircuitos (un cortocircuito puede producir lesiones o incendio).
- Coloque esta unidad lo más lejos posible de la batería que los cables permitan.
- Nunca permita que el ácido de la batería entre en contacto con esta unidad.
- No opere esta unidad en un área cerrada ni restrinja la ventilación de alguna forma.
- Este sistema está diseñado para ser utilizado únicamente en vehículos con sistema de batería de CC de 12 voltios. No lo conecte a un sistema de batería de 6 o 24 voltios.
- Este sistema no está diseñado para ser utilizado en reemplazo de una batería de vehículo. No intente hacer funcionar un vehículo que no tenga la batería instalada.
- El intento de arranque del motor en excesivo puede dañar el motor de arranque de un vehículo. Si el motor no arranca después del número de intentos recomendados, deje los procedimientos de arranque y busque otros problemas que pueden necesitar ser corregidos.
- No utilice este puente auxiliar de arranque en una moto de agua. No fue diseñado para prácticas marinas.
- Aunque esta unidad contiene una batería a prueba de derrames, se recomienda mantenerse en posición vertical durante el almacenamiento, el uso y recarga. Para evitar los posibles daños que pueden acortar la vida útil de la unidad, protéjalo de la luz solar directa, el calor directo y / o humedad.

PRIMEROS AUXILIOS

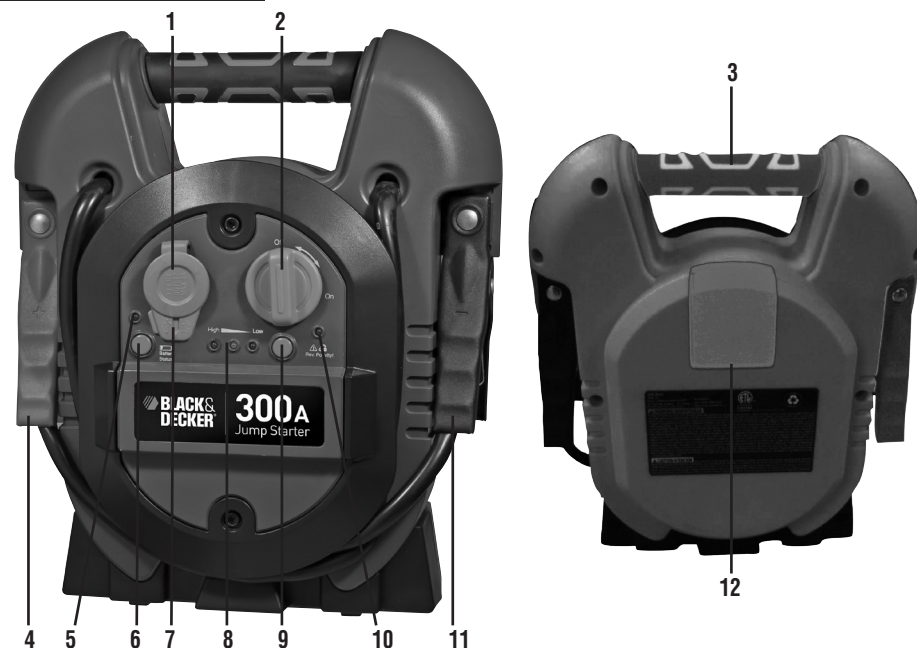
- **Piel:** Si el ácido de la batería entra en contacto con la piel o la ropa, lave inmediatamente con agua y jabón durante al menos 10 minutos. Si se presenta enrojecimiento, dolor o irritación, busque asistencia médica de inmediato.
- **Ojos:** Si el ácido de la batería entra en contacto con los ojos, lávese los ojos inmediatamente durante 15 minutos como mínimo y busque asistencia médica de inmediato.

CONSERVE ESTAS INSTRUCCIONES

INTRODUCCIÓN

Felicitaciones por adquirir su nuevo **puente auxiliar de arranque de 300A de Black & Decker®**. Lea el manual de instrucción y siga las instrucciones cuidadosamente antes de utilizar esta unidad.

CARACTERÍSTICAS



1. Tomacorriente para accesorios de 12 V de CC (bajo cubierta protectora)
2. Interruptor de encendido del puente auxiliar de arranque
3. Manija de goma
4. Pinza roja del positivo (+)
5. Indicador de poder del puerto USB
6. Botón de alimentación USB
7. Puerto USB (bajo cubierta protectora)
8. Indicadores LED de estado de la batería
9. Botón del nivel de energía de batería
10. Indicador de polaridad inversa
11. Pinza negra del negativo (-)
12. Cargador de CA de 120 voltios incorporado (bajo cubierta protectora)

CARGA/RECARGAR

Las baterías de plomo-ácido requieren mantenimiento de rutina para asegurar una carga completa y una mayor duración de la batería. Todas las baterías pierden energía por descarga espontánea, se descargan con el paso del tiempo, y con mayor rapidez cuando están a temperaturas más altas. Por lo tanto, las baterías necesitan ser cargadas periódicamente para reemplazar la energía perdida por descarga espontánea. Cuando la unidad no se usa, fabricante recomienda que se recargue la batería al menos cada 30 días.

Notas: Esta unidad se entrega en un estado parcialmente cargado - usted debe cargarlo completamente antes de usarlo para la primera vez. La carga inicial de la CA debe ser por 24 horas.

Recargar la batería luego de cada uso prolongará la vida de la batería; las descargas importantes frecuentes entre recargas o el cargarla en exceso reducirán la duración de la batería. La batería se puede recargar usando el cargador de CA de 120 voltios incorporado.

Cerciórese de que el resto de las funciones de unidad estén apagadas durante la recarga, pues ésta puede retardar el proceso de recarga.

Si el la batería está descargada excesivamente y las luces LED verdes cuando está enchufado el cargador, esto indica que la batería está en una etapa de alta impedancia. Si esto ocurre, recargar la unidad y dejarlo cobrar por un período de 24-48 horas antes de su uso.

⚠ PRECAUCIÓN: PARA REDUCIR EL RIESGO DE DAÑO A LA PROPIEDAD: Si no se mantiene la batería cargada puede causar daños permanentes y resultar en un pobre rendimiento de arranque.

Carga/recarga con el cargador de CA de 120 voltios y un cable de extensión estándar para uso doméstico (no incluido)

1. Levante la cubierta del adaptador de CA ubicado en la parte posterior de la unidad y conecte un cable de extensión a la unidad. Enchufe el otro extremo del cable al tomacorriente de pared estándar de CA de 120 voltios.
2. Cargue hasta el indicador LED de estado de batería verde ilumina o destella.
3. Desconecte el cable de extensión y presione el botón del estado de la batería. Si las 3 luces de estado iluminan, la unidad se carga completamente.

Nota: La unidad no se puede sobrecargar si se utiliza el método de CA.

PUENTE AUXILIAR DE ARRANQUE

El puente auxiliar de arranque está equipado con un interruptor de encendido del puente auxiliar de arranque. Una vez que las conexiones están hechas correctamente, encienda el interruptor para arrancar el vehículo mediante puente.

1. Apague la ignición del vehículo y todos los accesorios (radio, aire acondicionado, luces, cargadores de teléfono celular conectados, etc.). Coloque el vehículo en "estacionar" y coloque el freno de emergencia.
2. Asegúrese de que el interruptor de encendido del puente auxiliar de arranque esté apagado (off).
3. Retire las pinzas del puente de sus respectivas lengüetas. Conecte primero la pinza roja, luego la pinza negra.
4. **Procedimiento para arrancar mediante puente un SISTEMA CON NEGATIVO A TIERRA (el terminal de la batería está conectado al bastidor) (LO MAS COMUN).**
 - 4a. Conecte la pinza roja del positivo (+) al terminal del positivo de la batería del vehículo.
 - 4b. Conecte la pinza negra del negativo (-) al bastidor o a un componente metálico no móvil y sólido, o una parte de la carrocería. Nunca fije la pinza directamente al terminal del negativo de la batería o a una pieza móvil. Refiera al manual del dueño del automóvil.

5. Procedimiento para arrancar SISTEMAS CON POSITIVO A TIERRA.

- Nota:** En el caso poco habitual de que el vehículo que se debe arrancar tenga un sistema de positivo a tierra (el terminal positivo de la batería está conectado al bastidor), reemplace los pasos 4a y 4b anteriores con los pasos 5a y 5b, luego continúe con el paso 6.
- 5a. Conecte la pinza negra del negativo (-) al terminal del negativo de la batería del vehículo.
 - 5b. Conecte la pinza roja del positivo (+) al bastidor del vehículo o a un componente metálico no móvil y sólido, o una parte de la carrocería. Nunca fije la pinza directamente al terminal del positivo de la batería o a una pieza móvil. Refiera al manual del dueño del automóvil.
6. Cuando las pinzas estén correctamente conectadas, encienda el interruptor de encendido del puente auxiliar de arranque.
 7. Encienda la ignición y acelere el motor en etapas de 5 a 6 segundos hasta que arranque.
 8. Coloque el interruptor de encendido del puente auxiliar de arranque en la posición de apagado (off) nuevamente.
 9. Desconecte la pinza del negativo (-) del motor o bastidor primero y luego desconecte la pinza del positivo (+) de la batería.

⚠ **ADVERTENCIA: PARA REDUCIR EL RIESGO DE LESIONES O DAÑO A LA PROPIEDAD:**

- **SIGA TODAS LAS INSTRUCCIONES DE SEGURIDAD ENCONTRADAS EN LA SECCIÓN DE LAS "INSTRUCCIONES DE SEGURIDAD ESPECÍFICAS PARA AUXILIARES DE ARRANQUE" DE ESTE MANUAL DE LA INSTRUCCIÓN.**
- Antes de comenzar a arrancar mediante puente, debe apagar el interruptor de encendido del puente auxiliar.
- Este sistema está diseñado para utilizarse EXCLUSIVAMENTE en vehículos con sistemas de batería de 12 voltios de CC.
- Nunca toque entre sí las pinzas roja y negra de la batería: esto puede provocar chispas peligrosas, arco eléctrico o explosión.
- Después de cada uso, apague el interruptor de encendido del puente auxiliar de arranque.

⚠ **PRECAUCIÓN: RIESGO DE DAÑO A LA PROPIEDAD**

- Los vehículos que tienen sistemas computarizados incorporados pueden resultar dañados si la batería del vehículo se arranca mediante puente. Antes de arrancar mediante puente este tipo de vehículo, lea el manual del vehículo para confirmar que se aconseja ayuda externa para arrancar.

- El intento de arranque del motor en excesivo puede dañar el motor de arranque de un vehículo. Si el motor no arranca después del número de intentos recomendados, deje los procedimientos de arranque y busque otros problemas que pueden necesitar ser corregidos.
- Si las conexiones a los terminales POSITIVO y NEGATIVO son incorrectas, el indicador de polaridad invertida se encenderá y la unidad emitirá una alarma continua hasta que las pinzas estén desconectados. Desconecte las pinzas y vuelva a conectarlas a la batería con la polaridad correcta.
- Si no es posible arrancar el vehículo, apague la ignición, coloque el interruptor de encendido del puente auxiliar de arranque en la posición de apagado (off), desconecte los conductores del puente auxiliar de arranque y comuníquese con un técnico calificado para investigar por qué no arrancó el motor.
- Vuelva a cargar la unidad completamente después de cada uso.

FUENTE DE ENERGÍA PORTÁTIL DE 12 V CC

Esta fuente de energía portátil también se puede usar con accesorios de CC de 12 V equipados con un enchufe macho y que esté indicado hasta 5 A.

1. Levante la tapa del tomacorriente de CC de 12 V de la unidad.
2. Inserte el enchufe de CC de 12 V del aparato en el tomacorriente para accesorios de 12 V de la unidad. NO EXCEDA UNA CARGA DE 5 AMPERIOS.
3. Encienda el aparato y opérela como de costumbre.
4. Periódicamente pulse el botón de nivel de energía de la batería para comprobar el estado de la batería. (Cuando los tres LEDs de estado de la batería se ilumina, indica que la batería está totalmente cargada. Sólo una condición de batería rojo indicador luminoso indica que la unidad necesita ser recargada.)

PUERTO DE CARGA USB

El puerto de carga USB está bajo misma cubierta protectora que el enchufe de 12 voltios CC en el lado de mano izquierda del panel de delante (refiera a la sección de las Características para localizar).

1. Empuje el botón de la energía del puerto de carga USB para girar el puerto del USB y el indicador de energía del USB se encenderá.
2. Levante para arriba la cubierta del puerto de carga USB.
3. Tape el dispositivo USB-accionado en el puerto de carga USB y funcione normalmente.
4. Periódicamente pulse el botón de nivel de energía de la batería para comprobar el estado de la batería. (Cuando los tres LEDs de estado de la batería se ilumina, indica que la batería está totalmente cargada. Sólo una condición de batería rojo indicador luminoso indica que la unidad necesita ser recargada.)

Notas: Los puertos de carga USB de esta unidad NO admiten comunicación de datos. Sólo proporcionan un máximo de energía de 5 voltios de CC/2,000 mA a un dispositivo eléctrico USB externo.

Asegúrese de que el botón de la energía del USB esté en la posición de apagado cuando se recargue o almacene la unidad.

Una cierta electrónica USB-accionada hogar no funcionará con esta unidad.

CUIDADO Y MANTENIMIENTO

Con el tiempo, todas las baterías pierden energía debido a la descarga automática y con mayor rapidez en ambientes con temperaturas elevadas. Cuando la unidad no esté en uso, recomendamos cargar la batería al menos cada 30 días.

No sumerja este reflector en agua. Si la unidad se ensucia, limpie las superficies exteriores con cuidado. Utilice una tela suave humedecida con una mezcla diluida de agua y detergente.

No hay ningún usuario-sustituibles piezas. Periódicamente inspeccione la condición de adaptadores, conectores y alambres. Contacto fabricante para sustituir los componentes que han pasado a ser gastado o rotas.

Reemplazo/desecho de la batería

REEMPLAZO DE LA BATERÍA

La batería debe durar la vida útil de la unidad. La vida de servicio depende en un número de factores, incluyendo pero no limitado al número de ciclos de recarga, y el cuidado y mantenimiento adecuado de la batería por el usuario. Comuníquese con el fabricante para cualquier información que pueda necesitar.

ELIMINACIÓN DE LA BATERÍA

Contiene una batería de plomo-ácido sellada, anti-derrame que no requiere mantenimiento, la cual debe ser eliminada de manera correcta. Se requiere reciclado; comuníquese con su autoridad local de recolección de basura para disponer de este producto. El incumplimiento de las reglamentaciones locales, estatales y federales pueden provocar multas o penas de prisión.



⚠️ ADVERTENCIAS:

- No deseche la batería en el fuego ya que puede ocasionar una explosión.
- Antes de desechar la batería, proteja las terminales descubiertas con cinta eléctrica para trabajos pesados. De esta manera previene cortos circuitos (los cortos circuitos pueden ocasionar lesiones e incendios).
- No exponga la batería al fuego o al calor extremo ya que puede explotar.

DETECCIÓN DE PROBLEMAS

Problema	Solución
La unidad no carga	<ul style="list-style-type: none">• Cerciórese de que el interruptor del invertador esté en la posición de reposo.• Cerciórese de que una cuerda de extensión conveniente del calibrador esté conectada correctamente con la unidad y un enchufe de funcionamiento de la CA.
La unidad no puede saltar comienzo el motor	<ul style="list-style-type: none">• Asegúrese de que el interruptor de encendido del puente auxiliar de arranque está en la posición encendido (ON).• Asegúrese de que se han realizado las conexiones de los cables con la polaridad correcta.• Comprobar esa unidad tiene una carga completa. Recargar la unidad si es necesario.
Fuente de energía portátil de 12 V CC no va poder dispositivo	<ul style="list-style-type: none">• Asegúrese de que el dispositivo no dibujar más de 5 amperios.• Comprobar esa unidad tiene una carga completa. Recargar la unidad si es necesario.
El puerto de la energía del USB no accionará la aplicación	<ul style="list-style-type: none">• Asegúrese de que el aparato está alimentado no atraiga a más de 2,000 mA.• Algunos productos electrónicos de uso doméstico alimentados por USB no funcionan con esta puerto USB. Compruebe el manual del dispositivo electrónico correspondiente para confirmar que se puede utilizar con este tipo de puerto USB.• Asegúrese de que el botón de encendido/apagado del puerto USB esté en la posición de encendido (on).• Comprobar esa unidad tiene una carga completa. Recargar la unidad si es necesario.

ACCESORIOS

Accesorios recomendados para uso con esta unidad puede ser disponibles a través del fabricante. Si necesita ayuda con respecto a los accesorios, por favor póngase en contacto con el fabricante al (877) 571-2391.

⚠️ **ADVERTENCIA:** El uso de cualquier accesorio no recomendado para el uso con esta unidad podría ser peligroso.

INFORMACIÓN DE SERVICIO

Si usted necesita asesoramiento técnico, reparación, o partes genuinas del fabricante, póngase en contacto con el fabricante al (877) 571-2391.

UN AÑO DE GARANTÍA LIMITADA

El fabricante garantiza este producto contra defectos de materiales y mano de obra durante un período de UN (1) AÑO a partir de la fecha de compra del producto por el comprador usuario final ("Período de Garantía"). Si hay un defecto y una reclamación válida se recibe dentro del período de garantía, el

producto defectuoso puede ser reemplazado o reparado en el las siguientes maneras: (1) Devuelva el producto al fabricante para reparación o reemplazo, a opción del fabricante. La prueba de compra puede ser requerida por el fabricante. (2) Devuelva el producto a la tienda donde el producto fue comprado para un intercambio (siempre y cuando se trate de un minorista participante). Devoluciones al minorista deben hacerse dentro del plazo de póliza de devoluciones del minorista para intercambios solamente (por lo general 30 a 90 días después de la fecha de compra). La prueba de compra puede ser requerida por el minorista. Por favor consulte la póliza de devoluciones del minorista sobre devoluciones que están fuera del plazo establecido para intercambios.

Esta garantía no se aplica a los accesorios, bombillos, fusibles y baterías; defectos a consecuencias de desgaste normal; accidentes; daños y perjuicios sufridos durante el envío y manejo, alteraciones, reparaciones o uso no autorizado, negligencia, abuso, y si no se siguen instrucciones para el cuidado y mantenimiento del producto.

Esta garantía le otorga al comprador usuario final, derechos legales específicos y usted puede tener otros derechos que varían de estado a estado o de provincia a provincia. Este producto no está diseñado para uso comercial.

Por favor completar la tarjeta de registro del producto dentro de un plazo de 30 días a partir de la fecha de compra y remitir a: Baccus Global LLC, 595 S. Federal Highway, Suite 210, Boca Raton, FL 33432. **Baccus Global LLC, número de teléfono gratuito: (877) 571 2391.**

ESPECIFICACIONES

Amperios de impulso:	12Vdc, 300 amperios instantáneos de giro
Tipo de batería:	De plomo sin necesidad de mantenimiento, sellada, CC de 12 voltios, 7aH
Entrada de CA:	120Vac, 60Hz, 9W
DC accesorio de salida:	12 VCC, 5A
Puerto USB:	5Vdc, 2,000mA

Importados por Baccus Global LLC, 595 S. Federal Highway, Suite 210, Boca Raton, FL 33432 (877) 571-2391