

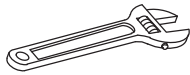
YOUR STONE VESSEL SINK

All vessel sinks do not have an overflow and may require a specific type of drain such as a pop-up, twist and turn or a grid drain assembly. Please check your local plumbing codes to determine which drain will meet local plumbing code standards for this product.

BEFORE YOU BEGIN

- Observe all local plumbing and building codes.
- Follow these instructions only if it apply to your installation. Vessel sinks allow you to be creative and flexible with your installation.
- Before installation, remove your new stone sink and carefully inspect it for damage. Return the stone sink to its packaging until you are ready to install it.
- These instructions contain important care and cleaning instructions. Please review these instructions carefully.

SUGGESTED TOOLS AND MATERIALS



Adjustable Wrench



Channel Lock



Tape Measure



Safety Glasses

ABOVE COUNTER INSTALLATION



CAUTION! Risk of product damage. Do not use plumbers putty or oil-based sealers with this product. These products will stain the surfaces permanently.

STEP 1:

Carefully, position the sink in the cutout opening.

STEP 2:

To secure the sink on the countertop, use a bead of silicone sealer. Use moderate force and hand-tighten the drain kit to the sink.

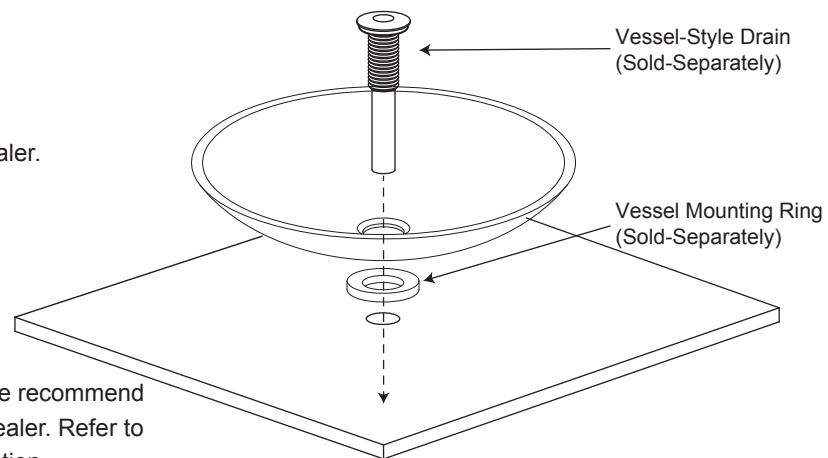
STEP 3:

Install the faucet according to the manufacturer's instructions / manual.

STEP 4:

Our stone sinks are factory sealed with a penetrating sealer. We recommend sealing your stone sink before it first use with a natural stone sealer. Refer to the instructions on the stone sealer container for proper application.

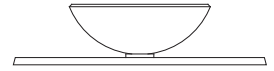
**** NOTE:** Sink style, shape, cutout on top, vanity may vary from the picture above. Instructional purposes only.



CARE INSTRUCTIONS

To keep your new sink looking new, please follow these simple care instructions:

- Routine cleaning of the stone sink will reduce the need for heavy cleaning and polishing.
- Use a soft cloth after each use to minimize soap scum.
- Never use strong / abrasive cleaners. For general cleaning, use mild soap and water or natural stone cleaners. Do not use abrasive detergents or cleaning pads, which can damage the surface of the stone.
- Periodically, re-apply the natural stone sealer as warranted by use. Refer to the instructions on the stone sealer container for proper application.



ABOVE-THE-COUNTER INSTALLATION

