



# OUTDOOR POST LIGHT

IOL151  
09/17

QUESTIONS OR CONCERNS CONTACT AT:

1-800-265-1833 (English) / 1-800-567-2513 (French)  
Monday through Friday 8:00 AM to 5:00 PM E.S.T.

INSTRUCTIONS PERTAINING TO RISK OF FIRE OR INJURY TO PERSONS  
READ ALL INSTRUCTIONS



## IMPORTANT SAFETY INSTRUCTIONS

### SAVE THESE INSTRUCTIONS

#### TOOLS AND MATERIALS REQUIRED:



Phillips  
Screwdriver



Wire Cutters



Pliers



Wrench

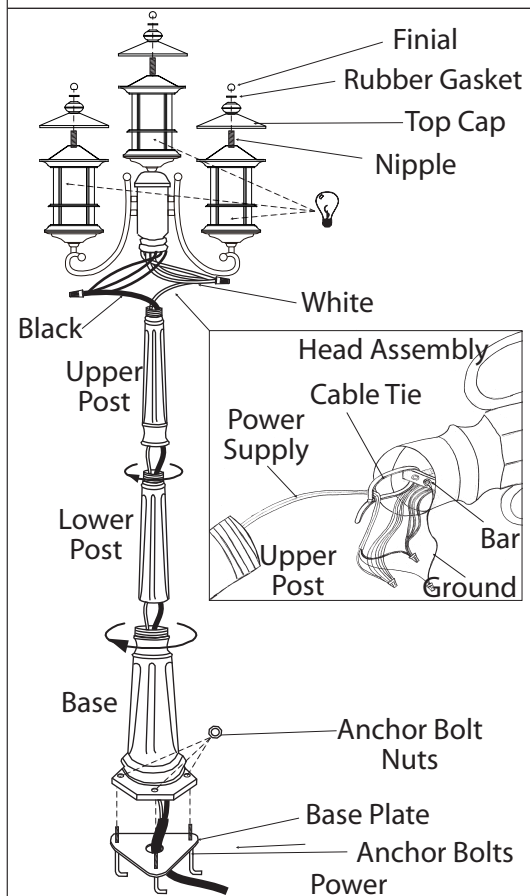
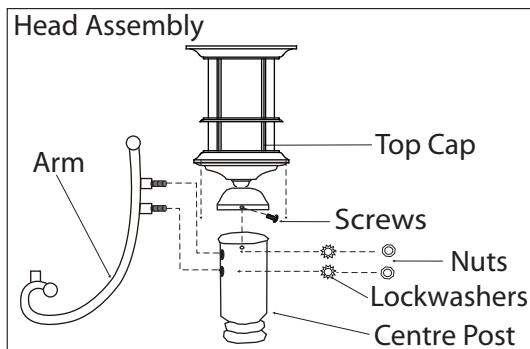
Wiring supplies  
as required by  
local electrical  
code

#### SAFETY PRECAUTIONS:

1. TURN OFF ELECTRICAL POWER BEFORE STARTING INSTALLATION OF LIGHT FIXTURE.
2. THIS PRODUCT MUST BE INSTALLED IN ACCORDANCE WITH THE APPLICABLE INSTALLATION CODE BY A PERSON FAMILIAR WITH THE CONSTRUCTION AND OPERATION OF THE PRODUCT AND THE HAZARDS INVOLVED.

**NOTE:** Product may not look exactly as shown in figures.

#### INSTALLATION:



1. Pour cement base for the lamp.
2. Place anchor bolts into the cement with the base plate sitting on top of the cement holding the bolts in proper position. Make sure the anchor bolts are above the cement sufficiently to clear through the base when assembled. Make sure the power supply passes through the centre hole of the base plate. (Note: make sure the surface of the cement is level). After the cement is cured, proceed with the next step.
3. Assemble the three arms to the centre post using two hex nuts and two lockwashers for each one.
4. Screw the centre nipple into the bracket in the centre post and secure using a hex nut.
5. Feed the power leads up through the base and bolt the base to the anchor bolts using anchor bolt nuts.
6. Align the holes on the mounting cup with the holes in your existing post and secure with mounting screws.
7. Feed the power supply through the lower post and upper post. Feed power supply through the cable tie. Tighten the cable tie so that the power supply tightens against the bar.
8. Connect the power supply to the head assembly. Attach the black wire to the black wires. Attach the white wire to the white wires. Ground wire from power supply should be attached to ground wire from bar inside the head assembly.
9. Screw the upper post into the head assembly (be careful not to twist the wires).
10. Screw the lower post into the upper post.
11. Set the assembled pieces (lower post, upper post & head assembly) onto the base and secure in place using bolts.
12. Unscrew the finial and remove the finial and rubber washer and the top cap of each lantern (3 lanterns). Install the proper bulb type and wattage. Place the top cap and rubber washer back on the fixture and secure in place by threading the finial back onto the nipple until it is snug.