

## Undercounter Lavatory

### FEATURES

- 20-1/2" x 12-3/8"
- Rimless, rectangle design for undercounter installation
- Rear overflow
- Optional CeFiONtect™ ceramic glaze - prevents debris and mold from sticking to ceramic surfaces, leading to fewer chemicals and less water in cleaning
- Vitreous china
- Mounting assembly complete with installation template and mounting screw set



### MODELS

- LT191G  
With CeFiONtect glazing (#01, #03, #11, #12)
- LT191  
Without CeFiONtect glazing (#51 only)



### COLORS/FINISHES

- #01 Cotton
- #03 Bone
- #11 Colonial White
- #12 Sedona Beige
- #51 Ebony (not available with CeFiONtect)

### CODES/STANDARDS

- Meets and exceeds ASME A112.19.2/CSA B45.1
- Certifications: IAPMO(cUPC), State of Massachusetts, City of Los Angeles, and others
- Meets ADA guidelines and ANSI A117.1 requirements when countertop is installed 864mm (34") from finished floor and lavatory is installed 205mm (8-1/8") minimum from front edge.



### PRODUCT SPECIFICATION

The undercounter lavatory shall be made of vitreous china. Lavatory shall be 17" in length and 15" in width. Product shall be with overflow and lavatory shall include mounting assembly. Lavatory model LT191G shall have CeFiONtect ceramic glaze. Lavatory shall be TOTO Model LT191\_\_\_\_\_.

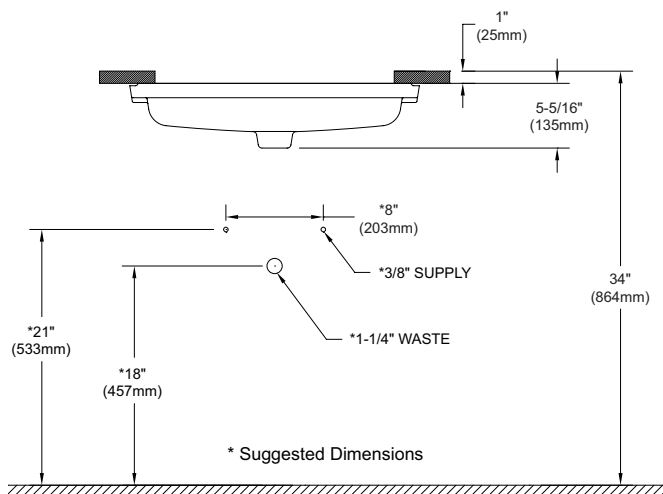
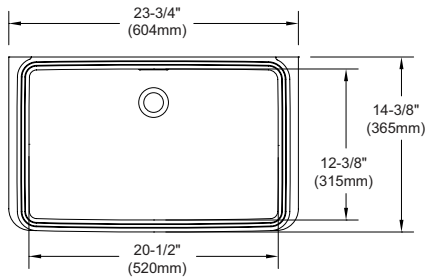
# LT191(G)

## Undercounter Lavatory

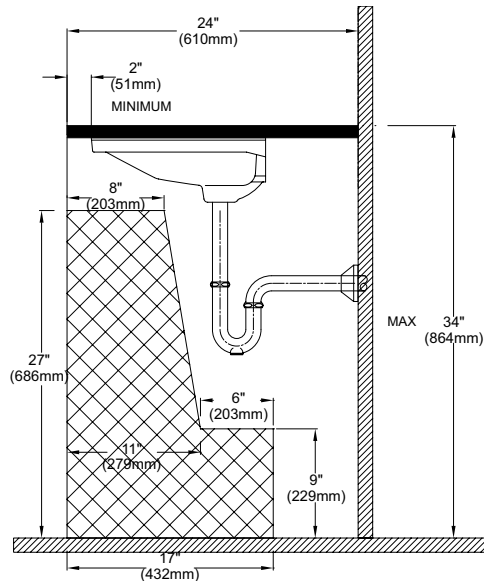
### SPECIFICATIONS

- Waste 1-1/4" O.D.
- Size 23-3/4"W x 14-3/8"D
- Basin 20-1/2"W x 12-3/8"D
- Warranty One Year Limited Warranty
- Material Vitreous china
- Shipping Weight 24.8 lbs.
- Shipping Dimensions 24-5/8"W x 15-3/8"D x 7-1/2"H

### INSTALLATION NOTES



### ADA Compliance Check



**TOTO®**

*These dimensions and specifications are subject to change without notice*