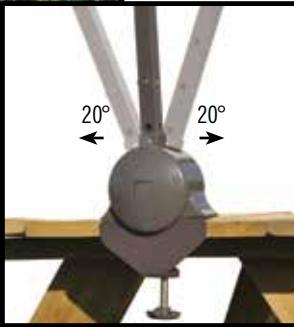


ShadeLogic™ Quick Clamp Canopy™ Tilt Mount



**Follows the Sun
to Stay in the Shade!**

Adjustable Tilting Mount Bracket

- Fits tables up to 10 ft. / 3,0 m long with tabletops up to 2.5 in / 6.35 cm thick.
- Innovative pop-up frame design (patent pending).
- Adjustable mounting clamp system for easy attachment to many surfaces. Tilting pivot feature lets you follow the angle of the sun for more hours of shade.
- CPAI-84 Fire-Rated polyester cover in Desert Bronze protects from UV rays and is mildew resistant & water repellent.
- Provides more than 75 sq. ft. / 7 sq. m. of coverage from sun and light rain.
- High-impact injection-molded fasteners.
- Quick-attach frame goes up in minutes.



We've Got You Covered.™
North America's #1 Shelter Manufacturer.

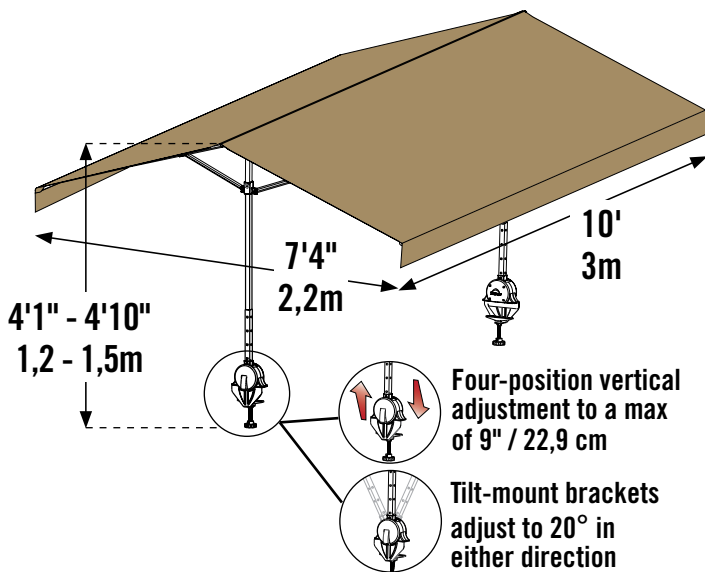
Model #14553

Package Includes:

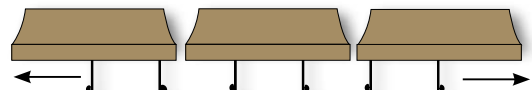
- Pop-Up Frame Assembly
- (1) Desert Bronze Polyester Cover
- (1) Carrying bag
- Instructions

Packaging Specifications:

- Container qty: 1280
- Total weight: 29 lbs./ 13,1 kg
- Box dimensions:
47.4 x 9.4 x 5.1 in.
120,5 x 24 x 13 cm



Great For: picnics, camping, craft fairs, backyard deck or patio, sporting events and much more.



Top shifts left or right to customize shade area from 6 to 10 ft. / 1,8 to 3 m of coverage

