

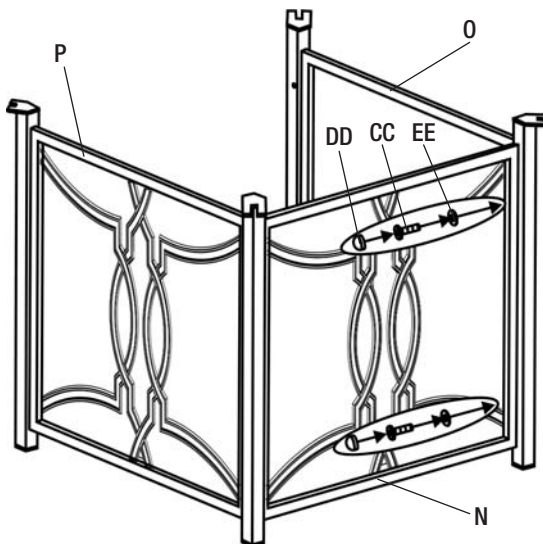
# Assembly

## 1 Assembling the side panels

- Attach the back panel (N) to the left and right side panels (O and P) using four ¼ in. x 50 mm bolts (CC) and Ø6.5 x 1.0 mm washers (EE). Guide the bolts (CC) through the holes in the back panel (N) and into the pre-drilled holes in the side panels (O and P). Hand tighten only.

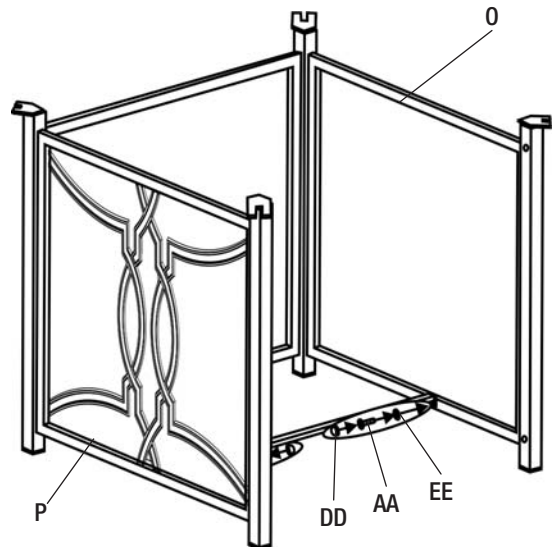


**NOTE:** Bolt covers (DD) are not added until step 9. They are shown in the illustrations prior to step 9 to illustrate their proper locations.



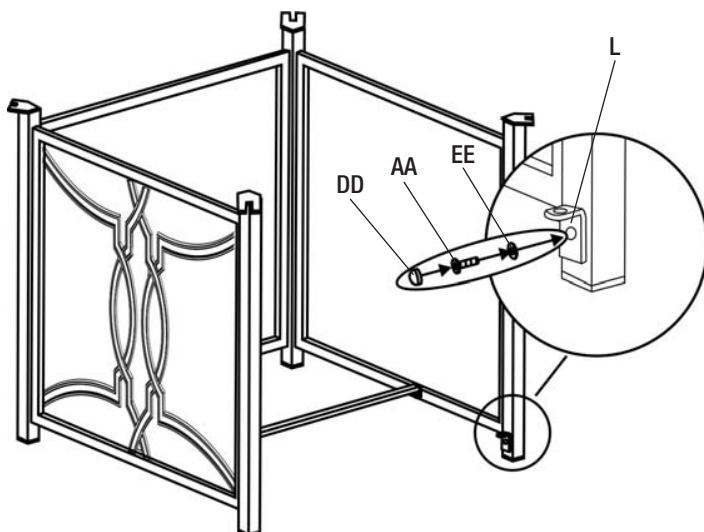
## 2 Attaching the middle support

- Attach the middle support (T) to the side panels (N and O) using two ¼ in. x 15 mm bolts (AA) and Ø6.5 x 1.0 mm washers (EE). Guide the bolts (AA) through the holes in the middle support (T) and into the pre-drilled holes in the side panels (O and P). Hand tighten only.



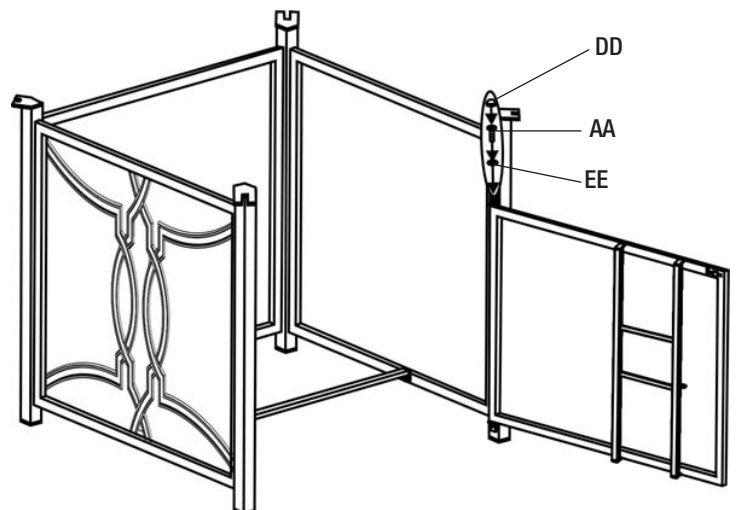
## 3 Attaching the door panel

- Attach the "L" connector of the door panel (L) to the right side panel (O) using a ¼ in. x 15 mm bolt (AA) and Ø6.5 x 1.0 mm washer (EE). Guide the bolt (AA) through the hole in the "L" connector portion of the door panel (L) and into the pre-drilled hole in the right side panel (O). Do not over tighten.



## 4 Securing the door panel

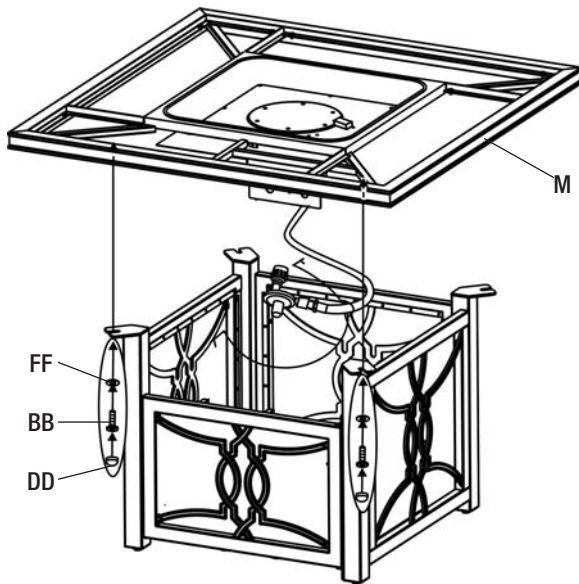
- Put the door onto the "L" connector (pre-assembled), guide the pin on the lower "L" connector into the hole under the door. Then guide the pin on the upper "L" connector (L) into the hole in the upper portion of the door. Use a ¼ in. x 15 mm bolt (AA) and Ø6.5 x 1.0 mm washer (EE) to secure the "L" connector to the side panel-2 (P). Do not over tighten.



# Assembly

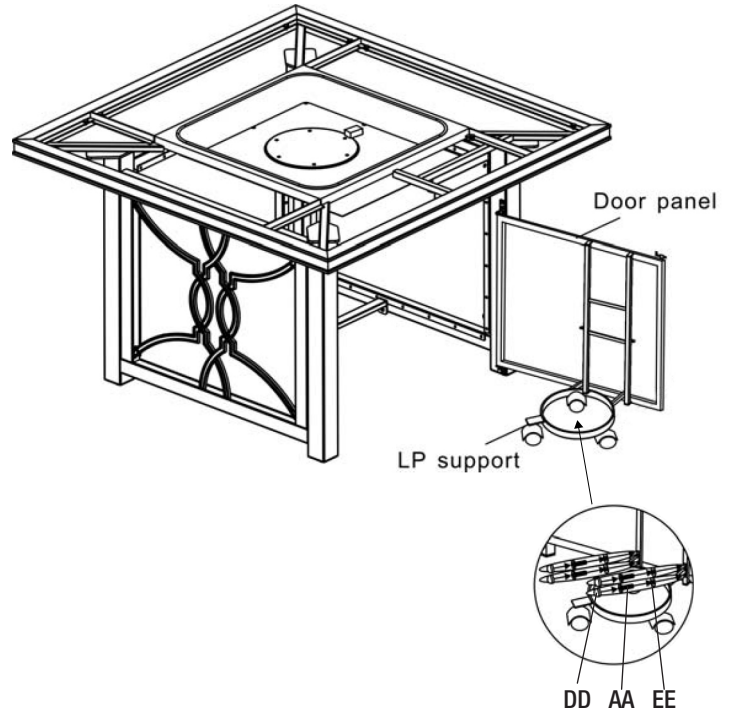
## 5 Assembling the side panels

- With the help of another person, carefully place the table top (M) onto the assembly. After making any necessary adjustments to the alignment of the table top and the assembled base, use four 1/4 in. x 20 mm bolts (BB) and Ø18 x Ø6.5 x 1.5 mm washers (FF). Guide the bolts (AA) through the holes in the side panels and into the pre-drilled holes under the table top (M). Do not tighten completely.



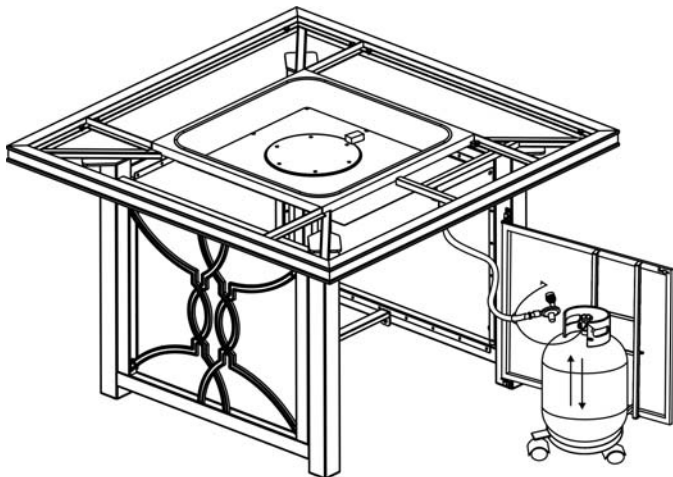
## 6 Attaching the LP support

- Attach the LP support (R) to the door panel (Q) using four 1/4 in. x 15 mm bolts (AA) and Ø6.5 x 1.0 mm washers (EE). Do not over tighten.



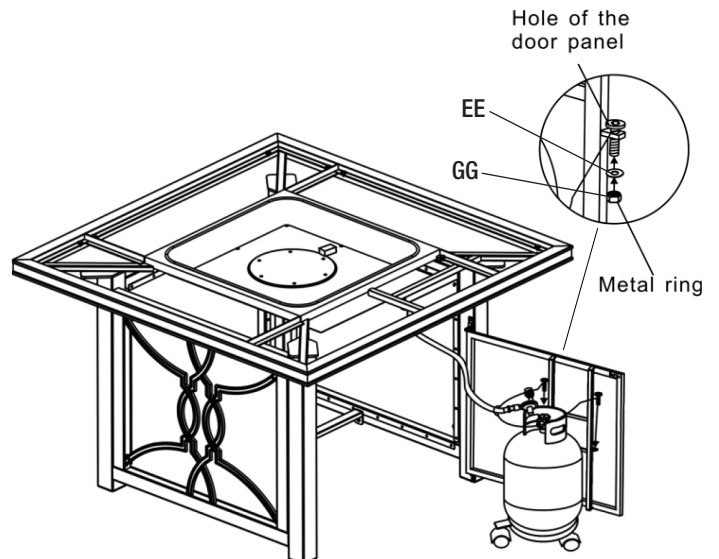
## 7 Placing the gas tank

- Place a gas tank (not included) onto the LP support (R).



## 8 Connecting the gas tank

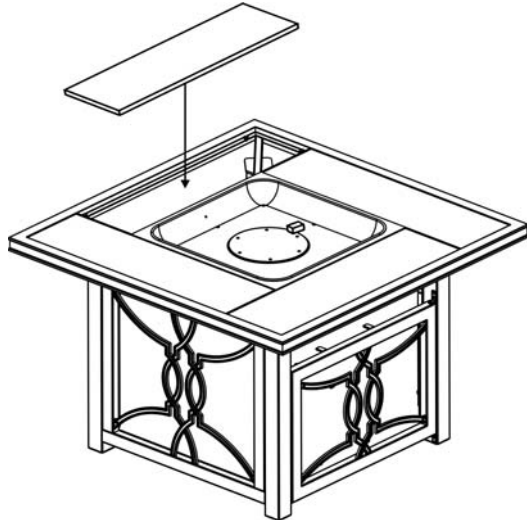
- Attach the metal ring pre-fitted with gas hose which is connected to the table top, into the hole of the door panel, then use hex wrench to screw 1/4"x5mm nut (GG) and Ø6.5x1.0 mm washer (EE), the gas tank has fixed as shown in the diagram. Connect the regulator hose (d) to the tank. Screw the black handle clock-wise to tighten. Turn the handle counterclockwise to remove. The hose must point down. Check that the valve is turned all the way clockwise to the "OFF" position.



# Assembly

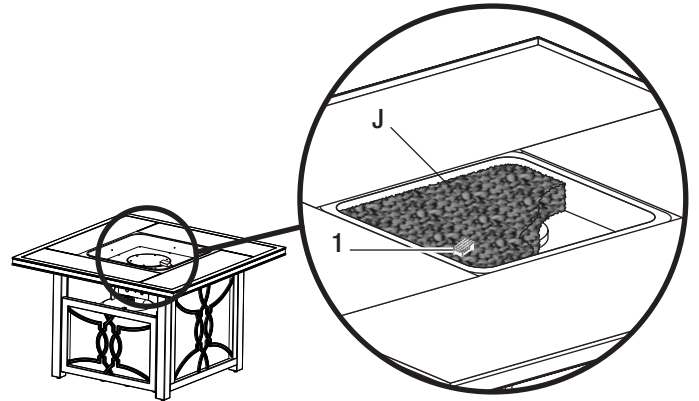
## 9 Tightening bolts and placing the tiles

- After making any necessary adjustments to the parts, use the hex wrench (HH) to tighten all bolts (AA, BB and CC). Tighten each bolt a few revolutions at a time. Repeat until all bolts are tight. Do not over tighten. Over tightening may strip bolts. Cover all bolts with covers (DD). See the illustrations in steps 1 - 8 for proper placement of the bolt covers (DD).
- Note the clear bumpers spaced evenly throughout the inside of the table top. Carefully place tiles (S) inside the table top, resting on the clear bumpers.



## 10 Placing the lava rocks

- Pour the lava rocks (J) into the burner. Completely cover the burner.
- Remove the cardboard cover (1) from the ignition well.

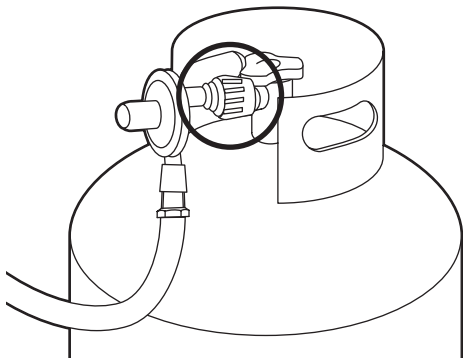


## 11 Testing for leaks

- Open the tank valve. Apply a solution of soapy water to the tank-regulator connection and to the valve-hose connection to check for leaks. If soap bubbles continue to form, the connection has a leak. If a leak is found, close the tank valve and tighten all connections.



**WARNING:** Never use a flame to check for leaks.



## 12 Securing the door panel

- Make sure the control knob is in the "OFF" position. Unscrew the push button cap on the ignition module located on the control panel to access the battery compartment. The ignition module requires one Alkaline AAA size battery (1.5V). The negative (-) end goes in first.



**WARNING:** Dispose of battery safely. May explode or leak if charged or disposed of in fire.

( 1.5V )  
AAA BATTERY  
COMPARTMENT  
INSTALL (-) SIDE  
FIRST

