

## Pump Assembly

The pump assembly is driven by a synchronous motor. The motor drives a pump which supplies 100 percent filtered water

Draining is accomplished by using a small separate synchronous drain pump mounted to the side of the sump. The drain pump is connected to the main pump by a small rubber hose. The drain check valve is located at the discharge end of the drain pump. The drain hose is attached by a clamp to the discharge end of the drain pump.

## Heater

Refer to the cycle chart on the reverse side to determine when the heater is on during the wash cycle. The heater cycles **ON** and **OFF** for brief periods during the drying cycle.

The drain hose must have a loop at a **minimum height of 32 inches** in order to insure proper drainage.

Voltage checks of the heater should be made in the dry portion of the service test mode.

## Standard Dry Air Flow

The heated, moist air leaving the dishwasher through the console vent causes drier air to be drawn into the unit by way of intake vents located at the bottom of the door.

The water on the dishes is evaporated into drier air and the venting process continues. The heating element is turned **ON** and **OFF** during the entire drying cycle.

## Detergent and Rinse Aid Dispenser

The detergent and rinse aid dispenser is a one piece component consisting of a molded detergent cup and a built-in rinse aid dispenser.

The detergent cup has a spring loaded cover and the rinse aid dispenser has a removable cover.

Liquid rinse aid is added to the dispenser up to the fill line indicator. The amount of rinse aid released can be adjusted by turning the arrow indicator from one, being the least amount, to four, being the greatest amount.

### To replace dispenser:

- shut off electricity to dishwasher,
- remove outer door panel assembly,
- disconnect wiring to the actuator,
- remove the six screws,
- remove the dispenser,
- replace and reinstall screws,
- rewire actuator.

## Product Specifications

### Electrical

Rating ..... 120 Volts, 60Hz  
Separate Circuit..15 amp min.- 20 amp max.  
Motor (Amps) ..... 0.6 - 0.9  
Heater Wattage ..... 475 - 630W  
Total Amps (load rated) ..... 7.0  
TempAssure ..... 135°F ±5°F  
(60°C±3°C) [with outer door in place]  
TempBoost ..... 140°F ±5°F  
Heated Wash/Heated Rinse  
Hi-Limit Thermostat ..... 200°F (93°C)

### Water Supply

Suggested minimum incoming water temperature ..... 120°F (49°C)  
Pressure (PSI) min./max. .... 20/120  
Connection (NPT) ..... 3/8"  
Consumption (Normal Cycle) .....  
..... 5.2 - 5.6 U.S. gal  
Water valve flow rate (U.S. GPM) ..... 0.9  
Water recirculation rate (U.S. GPM) .....  
..... approx. 5.28  
Water fill time ..... 36 sec.

# Trouble Shooting Tips

## ⚠ WARNING

### Personal Injury Hazard

**Always disconnect the dishwasher from the electrical power source before adjusting or replacing components.**

Symptom	Check the Following	Remedy
<b>Dishwasher will not operate when turned on.</b>	<ol style="list-style-type: none"><li>1. Fuse (blown or tripped).</li><li>2. 120 VAC supply wiring connection faulty.</li><li>3. Electronic control board defective.</li><li>4. No 12 VAC power to control.</li><li>5. Motor (inoperative).</li><li>6. Door switch (open contacts).</li><li>7. Door latch not making contact with door switch.</li><li>8. Touch pad circuit defective.</li><li>9. No indicator lamps illuminate when START or OPTIONS are pressed.</li></ol>	<ol style="list-style-type: none"><li>1. Replace fuse or reset breaker.</li><li>2. Repair or replace wire fasteners at dishwasher junction box.</li><li>3. Replace control board.</li><li>4. Replace control board.</li><li>5. Replace motor/impeller assembly.</li><li>6. Replace latch assembly.</li><li>7. Replace latch assembly.</li><li>8. Replace console assembly.</li><li>9. Replace console assembly.</li></ol>
<b>Motor hums but will not start or run.</b>	<ol style="list-style-type: none"><li>1. Motor (bad bearings).</li><li>2. Motor stuck due to prolonged non-use.</li></ol>	<ol style="list-style-type: none"><li>1. Replace motor assembly.</li><li>2. Rotate motor impeller.</li></ol>
<b>Motor trips out on internal thermal overload protector.</b>	<ol style="list-style-type: none"><li>1. Improper voltage.</li><li>2. Motor windings shorted.</li><li>3. Glass or foreign items in pump.</li></ol>	<ol style="list-style-type: none"><li>1. Check voltage.</li><li>2. Replace motor/impeller assembly.</li><li>3. Clean and clear blockage.</li></ol>
<b>Dishwasher runs but will not heat.</b>	<ol style="list-style-type: none"><li>1. Heater element (open).</li><li>2. Electronic control board defective.</li><li>3. Wiring or terminal defective.</li><li>4. Hi-Limit thermostat defective.</li></ol>	<ol style="list-style-type: none"><li>1. Replace heater element.</li><li>2. Replace control board.</li><li>3. Repair or replace.</li><li>4. Replace thermostat.</li></ol>
<b>Detergent cover will not latch or open.</b>	<ol style="list-style-type: none"><li>1. Latch mechanism defective.</li><li>2. Electronic control board defective.</li><li>3. Wiring or terminal defective.</li><li>4. Broken spring(s).</li><li>5. Defective actuator.</li></ol>	<ol style="list-style-type: none"><li>1. Replace dispenser.</li><li>2. Replace control board.</li><li>3. Repair or replace.</li><li>4. Replace dispenser.</li><li>5. Replace dispenser.</li></ol>
<b>Dishwasher will not pump out.</b>	<ol style="list-style-type: none"><li>1. Drain restricted.</li><li>2. Electronic control board defective.</li><li>3. Defective drain pump.</li><li>4. Blocked impeller.</li><li>5. Open windings.</li><li>6. Wiring or terminal defective.</li></ol>	<ol style="list-style-type: none"><li>1. Clear restrictions.</li><li>2. Replace control board.</li><li>3. Replace pump.</li><li>4. Check for blockage, clear.</li><li>5. Replace pump assembly.</li><li>6. Repair or replace.</li></ol>
<b>Dishwasher will not fill with water.</b>	<ol style="list-style-type: none"><li>1. Water supply turned off.</li><li>2. Defective water inlet fill valve.</li><li>3. Check fill valve screen for obstructions.</li><li>4. Defective float switch.</li><li>5. Electronic control board defective.</li><li>6. Wiring or terminal defective.</li><li>7. Pressure Switch Stuck.</li></ol>	<ol style="list-style-type: none"><li>1. Turn water supply on.</li><li>2. Replace water inlet fill valve.</li><li>3. Disassemble and clean screen.</li><li>4. Repair or replace.</li><li>5. Replace control board.</li><li>6. Repair or replace.</li><li>7. Repair or replace.</li></ol>
<b>Dishwasher water siphons out.</b>	<ol style="list-style-type: none"><li>1. Drain hose (high) loop too low.</li><li>2. Drain line connected to a floor drain not vented.</li></ol>	<ol style="list-style-type: none"><li>1. Repair to proper <b>32-inch minimum height</b></li></ol>
<b>Detergent left in dispenser.</b>	<ol style="list-style-type: none"><li>1. Detergent allowed to stand too long in dispenser.</li><li>2. Dispenser wet when detergent was added.</li><li>3. Detergent cover held closed or blocked by large dishes.</li><li>4. Improper incoming water temperature to properly dissolve detergent.</li><li>5. See "Detergent cover will not open."</li></ol>	

P/N: FFPD1821

# FRIGIDAIRE

## Electronic Series

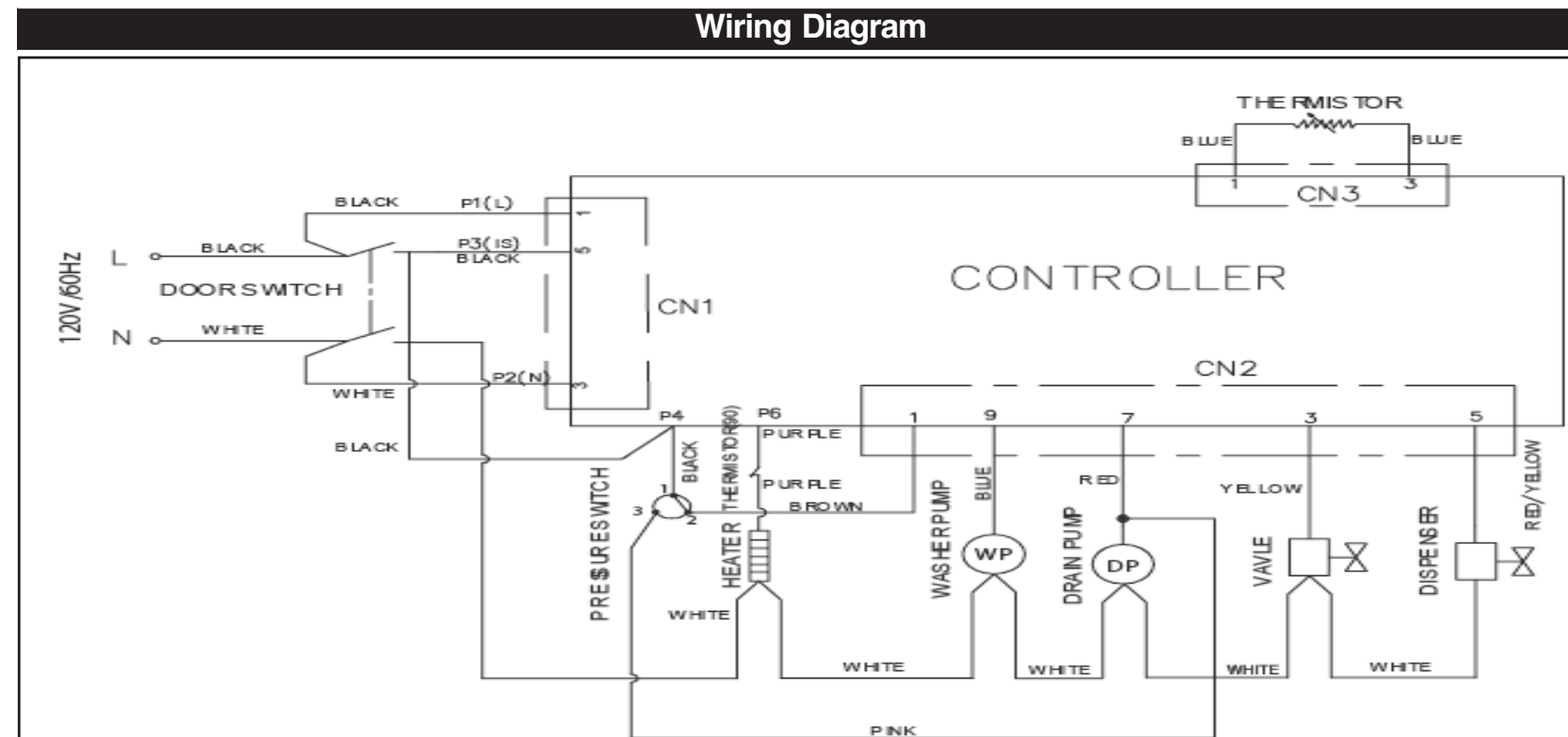
This information is intended for use by persons having electrical and mechanical training and a level of knowledge of these subjects generally considered acceptable in the appliance repair trade. Electrolux Home Products North America cannot be responsible, nor assume any liability, for injury or damage of any kind arising from the use of this Service Data Sheet.

Color Code	Operation
BK..... Black	To start..... Close and latch door. Press <b>START/CANCEL</b> pad.
BL..... Blue	To delay start.... Close and latch door. Press <b>DELAY START</b> pad to select desired delay time.
BN..... Brown	To select a new cycle or option.... Press desired cycle and/or option pad. The indicator lights will change. Press <b>START/CYCLE</b> within 15 seconds to begin cycle.
P..... Purple	To cancel cycle.... Press <b>START/CANCEL</b> . Dishwasher will drain for 90 seconds, then shut off.
R..... Red	
W..... White	
R/Y..... Red/Yellow	
Y..... Yellow	
	<b>For controls lock..... Press and hold the AIR DRY pad for 8 seconds. To unlock, press and hold AIR DRY pad for 8 sec.</b>

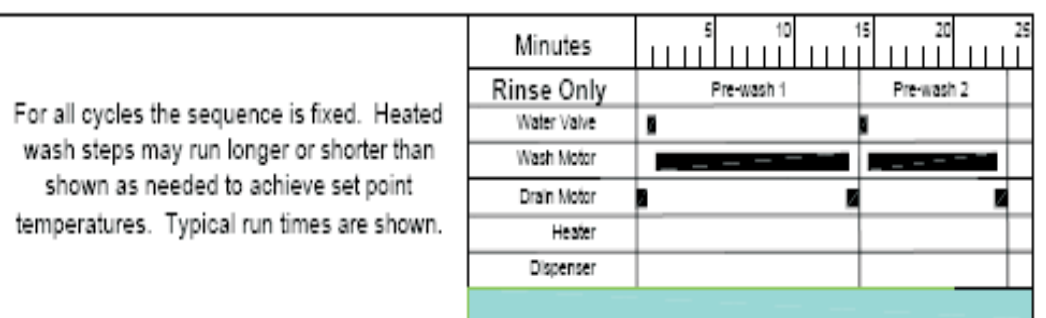
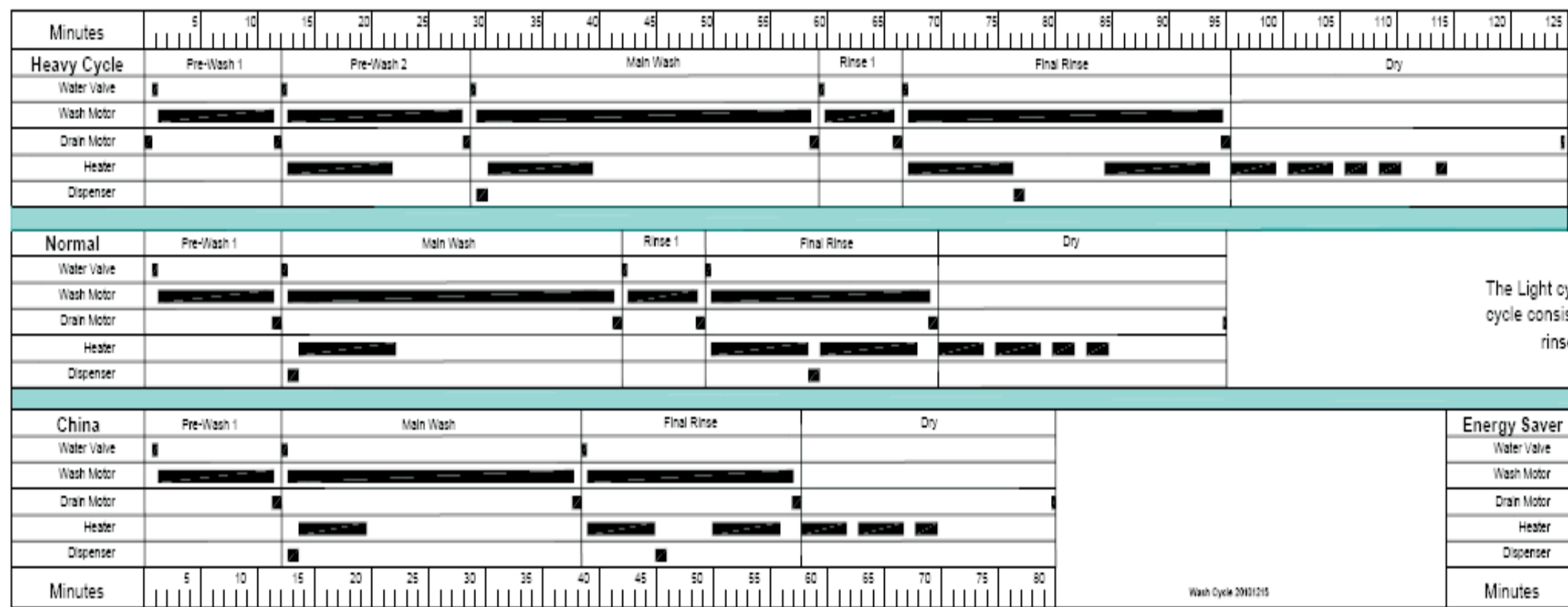
Water/Service Test										
STEP	TOTAL TIME (SEC)	WATER VALVE	CIRCULATION MOTOR	DRAIN MOTOR	HEATER	DISPENSER	FAN UNIT	SANITIZE LED	CLEAN LED	Device being monitored
1 FILL/DISPENSER	30	1	0	0	0	0	0	1	0	
2 DISPENSER	30	0	1	0	1	1	0	1	0	
3 WASH/HEAT	45	0	0	0	1	0	0	1	0	
4 PAUSE	.4	0	1	0	1	0	0	0	0	
5 WASH/HEAT	75	0	1	0	1	1	0	0	0	
6 WASH/HEAT/DISP	60	0	0	1	0	0	0	0	0	THERMISTOR
7 DRAIN/DRY	90	0	0	1	0	0	1	0	1	
8 DRY	90	0	0	0	X	0	0	0	0	
X - denotes selectable option										
CLEAN LED stay on for 30 seconds after door is opened or cycle started.										

The water/service test is a special function initiated from the power failure mode or idle mode. While in power failure or idle mode - simultaneously press the AIR DRY and START/CANCEL pads for 1 1/2 seconds. The dishwasher will then step through the test cycle per the chart. Pushing the START/CANCEL pad will advance the dishwasher to the next step.

Display Codes (LED)	
WASHING	.....Wash portion of cycle.
CLEAN	..... Shows completion of cycle. Indicator light will switch off when door is opened.
OPTION LED's Flashing	-- HI-TEMP WASH and NO HEAT DRY/POWER DRY OFF LED's flashing indicates power failure has occurred. Press START/CANCEL pad and reselect desired options and cycle.
STATUS LED's Flashing	-- The STATUS LED's that are lit when the door is opened will flash. Close door.



### Cycle Selection Options



For all cycles the sequence is fixed. Heated wash steps may run longer or shorter than shown as needed to achieve set point temperatures. Typical run times are shown.

The Light cycle, not shown due to space restrictions, is typically an 85 minute cycle consisting of a 12 minute pre-wash, a 25 minute main wash, a 7 minute rinse, an 18.5 minute final rinse and a 22.5 minute dry period.

