



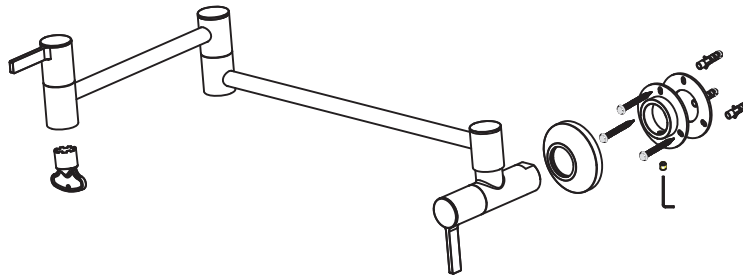
INSTALLATION

WALL-MOUNT POT FILLER FAUCET

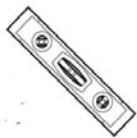


BEFORE INSTALLATION

Check to make sure you have the following parts indicated below:



TOOLS YOU WILL NEED



Horizontal rule



Adjustable Wrench



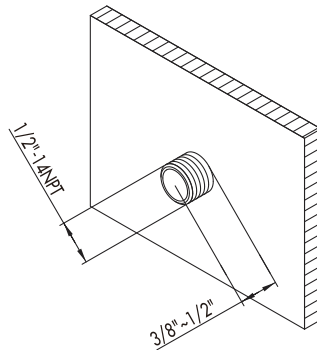
Pipe Tap



Screw driver



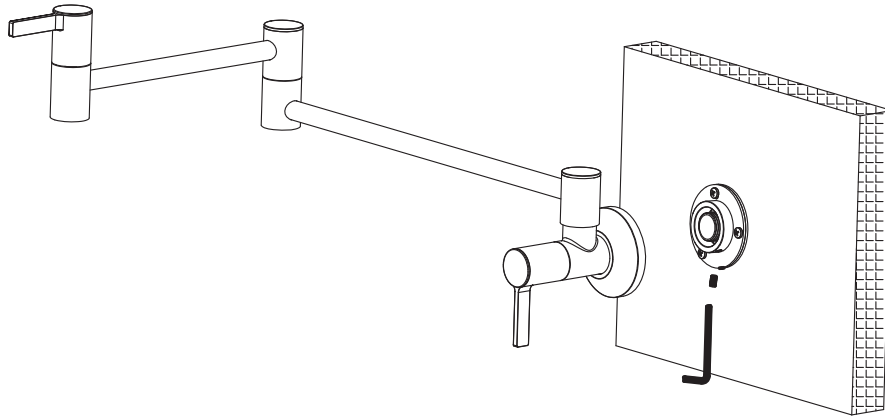
Electric drill



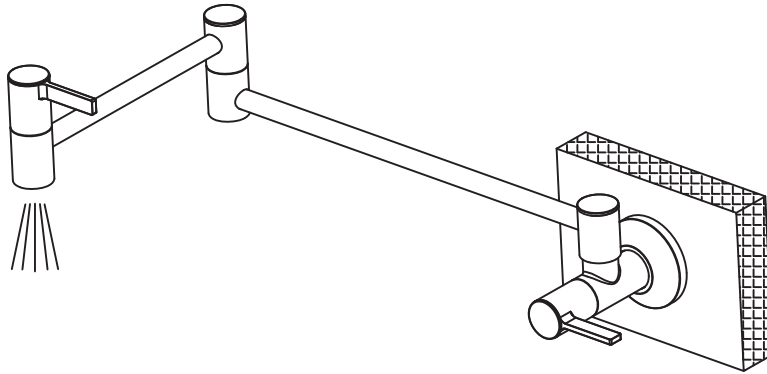
INSTALLATION PROCEDURES

Shut off the main water supply before installation by turning the valves clockwise.

The faucet requires an existing 1/2" IPS/MPT threaded male nipple extending from the finished wall surface. For ease of future maintenance, it is advisable to install shut off valve for the water line at an easily accessible location.



After installation, remove the aerator and turn on the water to remove any debris in the piping. Re-assemble aerator. This faucet is equipped with two shut off valves. The wall valve should be closed (handle in vertical position) when the the faucet is not in use. If the pot filler is to be left unattended, please ensure both valves are left in the closed position.



TROUBLESHOOTING

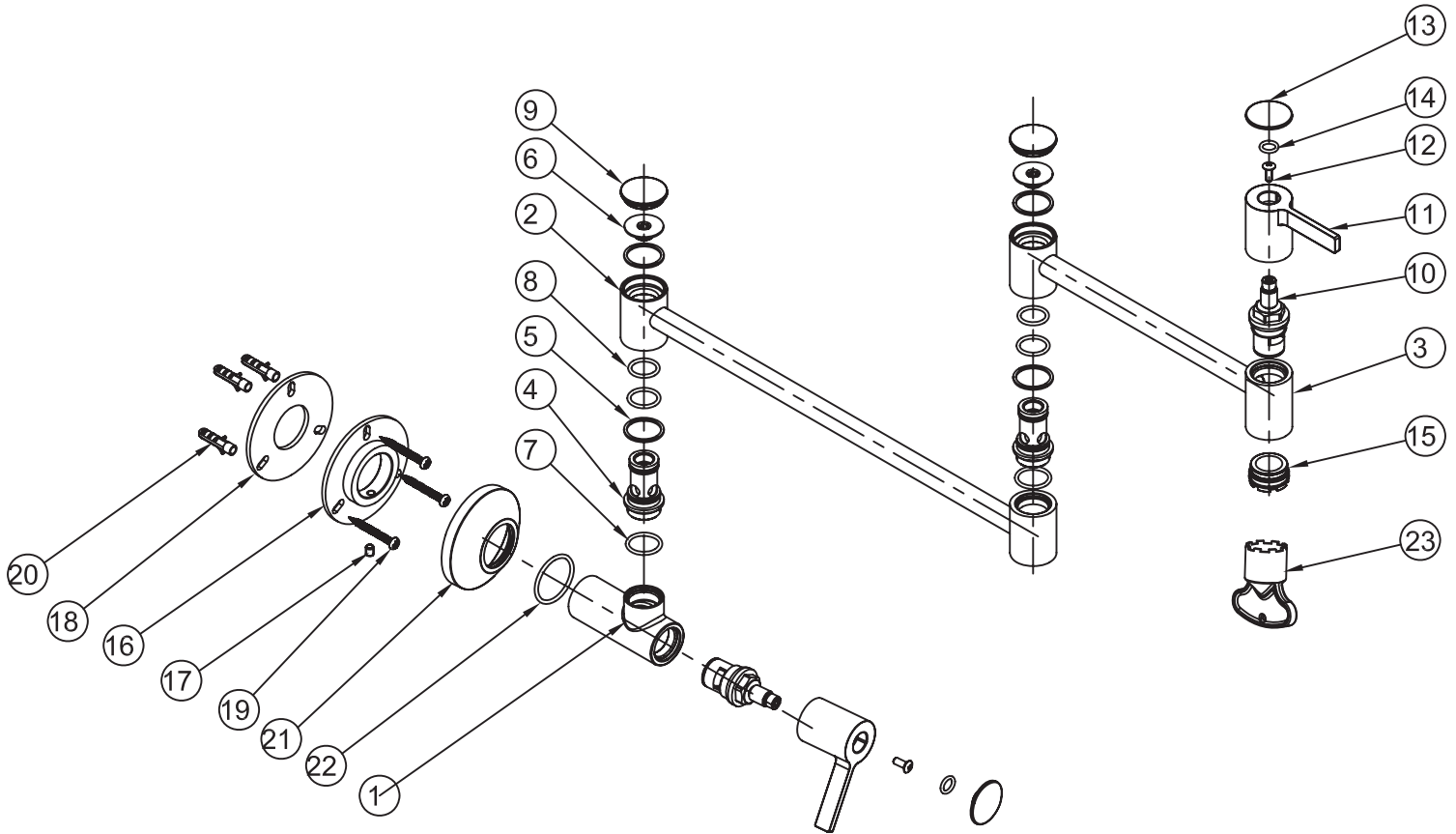
If you've followed the instructions carefully and your faucet still doesn't work properly, take these corrective steps:

Problem: Aerator has water leakage or has an inconsistent water flow pattern.

Cause: Aerator is dirty or is not properly assembled into the spout.

Action: Unscrew the aerator to check rubber or replace the aerator.

ILLUSTRATED PARTS LIST



LIMITED LIFETIME WARRANTY

Italia Faucets, Inc. warrants to the original purchaser that its products will be free from defects in workmanship and materials. All Italia Faucets are provided with a limited lifetime warranty. This warranty does not cover any other labor or service charges associated with the removal, repair, or reinstallation of Italia Faucets products. This express warranty does not apply to products that have been damaged as a result of misuse, abuse, negligence, accident, faulty installation or maintenance practices and/or used in any manner contrary to those recommended by the manufacturer.

Need help? Please call our toll-free customer service line at 1-877-482-5422 for additional assistance or service.