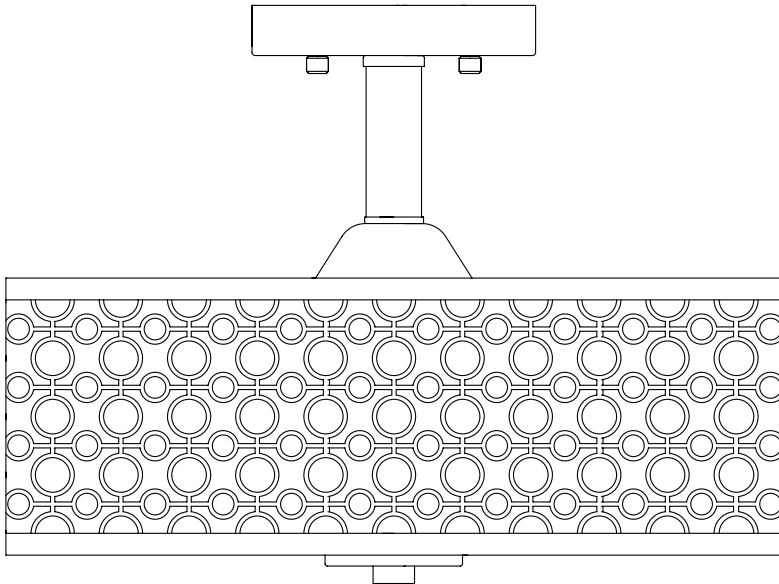


USE AND CARE GUIDE

1-LIGHT LED SEMI-FLUSHMOUNT



Questions, problems, missing parts? Before returning to the store,
call Home Decorators Collection Customer Service
8 a.m. - 7 p.m., EST, Monday - Friday; 9 a.m. - 6 p.m., EST, Saturday

1-800-986-3460

HOMEDEPOT.COM/HOMEDECORATORS

THANK YOU

We appreciate the trust and confidence you have placed in Home Decorators Collection through the purchase of this 1-light LED semi-flushmount fixture. We strive to continually create quality products designed to enhance your home.

Visit us online to see our full line of products available for your home improvement needs.

Thank you for choosing Home Decorators Collection!

Table of Contents

Table of Contents.....	2	Tools Required	3
Safety Information.....	2	Hardware Included.....	3
Warranty.....	2	Package Contents	4
What is covered	2	Installation.....	5
Pre-Installation.....	3	Care & Cleaning	10
Planning Installation	3	Troubleshooting	10
		Service Parts.....	11

Safety Information

PLEASE READ AND UNDERSTAND THIS ENTIRE MANUAL BEFORE ATTEMPTING TO ASSEMBLE, OPERATE OR INSTALL THIS PRODUCT.

- Consult a qualified electrician if you have any electrical questions.



WARNING: IF ANY SPECIAL CONTROL DEVICES ARE USED WITH THIS FIXTURE, FOLLOW THE INSTRUCTIONS CAREFULLY TO ASSURE FULL COMPLIANCE WITH N.E.C. REQUIREMENTS. IF THERE ARE ANY QUESTIONS, CONTACT A QUALIFIED ELECTRICAL CONTRACTOR.



CAUTION: READ INSTRUCTIONS CAREFULLY AND TURN ELECTRICITY OFF AT MAIN BREAKER PANEL BEFORE BEGINNING INSTALLATION OF THIS FIXTURE OR REMOVAL OF AN EXISTING FIXTURE.



CAUTION: ALL GLASS IS FRAGILE. USE CARE WHEN HANDLING GLASS SHADES OR BULBS.

NOTICE: This product contains chemicals known to the State of California to cause cancer, birth defects and/or other reproductive harm. Thoroughly wash hands after installing, handling, cleaning or otherwise touching this product.

Warranty

5-YEAR LIMITED WARRANTY

WHAT IS COVERED

The manufacturer warrants this lighting fixture to be free from defects in materials and workmanship for a period of five (5) years from the date of purchase. This warranty applies only to the original consumer purchaser and only to products used in normal use and service. If this product is found to be defective, the manufacturer's only obligation, and your exclusive remedy, is the repair or replacement of the product at the manufacturer's discretion, provided that the product has not been damaged through misuse, abuse, accident, modifications, alterations, neglect, or mishandling. This warranty shall not apply to any product that is found to have been improperly installed, set-up, or used in any way not in accordance with the instructions supplied with the product. This warranty shall not apply to a failure of material or workmanship. This warranty shall not apply to the finish on any portion of the product, such as surface and/or weathering, as this is considered normal wear and tear. The manufacturer does not warrant and specially disclaims any warranty, whether express or implied, of fitness for a particular purpose, other than the warranty contained herein. The manufacturer specifically disclaims any liability and shall not be liable for any consequential or incidental loss or damage, including but not limited to any labor / expense costs involved in the replacement or repair of said product.

Contact the Customer Service Team at 1-800-986-3460 or visit www.HOMDEPOT.com/HOMEDECORATORS.

Pre-Installation

PLANNING INSTALLATION

Before beginning installation, make sure all parts are included using the Hardware Included and Package Contents sections. If any part is missing or damaged, do not attempt to assemble, install or operate the product.

To avoid damaging this product, place it on a soft, non-abrasive surface, such as carpet or cardboard.



NOTE: Estimated assembly time: 30 minutes

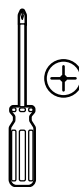
TOOLS REQUIRED (NOT INCLUDED)



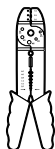
Pliers



Safety goggles



Phillips screwdriver



Wire strippers



Electrical tape

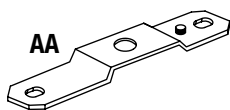


Ladder

HARDWARE INCLUDED



NOTE: Hardware not shown to actual size.



AA



BB



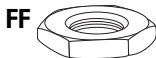
CC



DD



EE



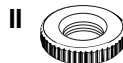
FF



GG



HH



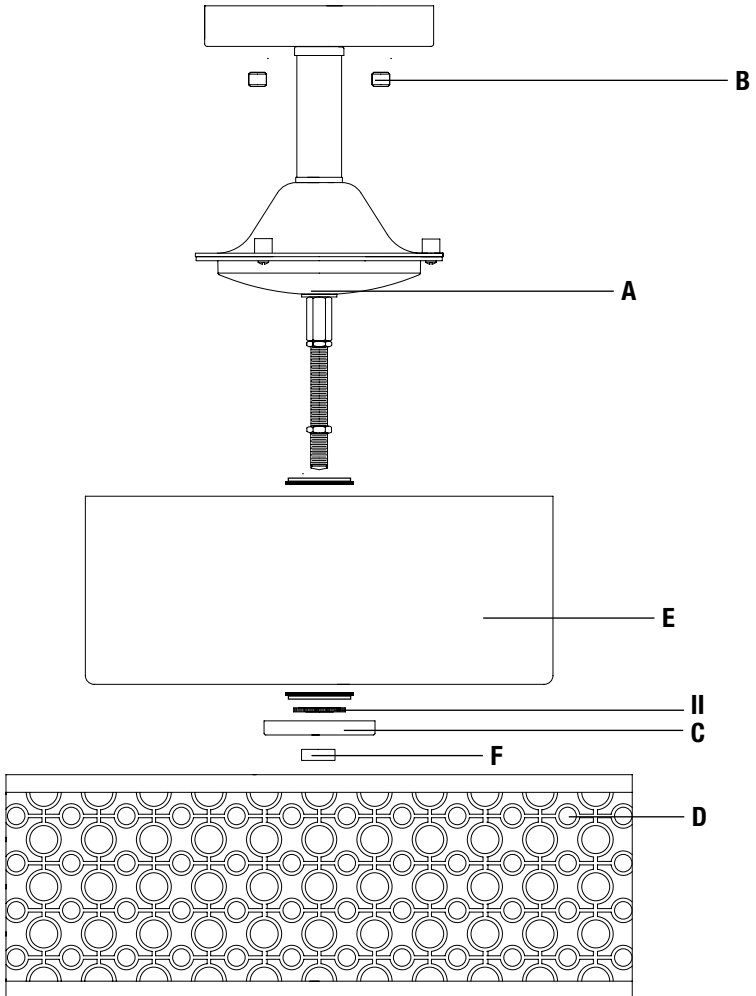
II

Part	Description	Quantity
AA	Mounting Strap	1
BB	#8-32 x 1-1/2 in. Screw	2
CC	#8-32 x 1-1/2 in. Green Ground Screw	1
DD	Wire Nut	3
EE	Stem 1/8P x 3-1/2 in.	1

Part	Description	Quantity
FF	Hex Nut	2
GG	Flat Washer	2
HH	Rubber Washer	2
II	Knurled Nut	1

Pre-Installation (continued)

PACKAGE CONTENTS

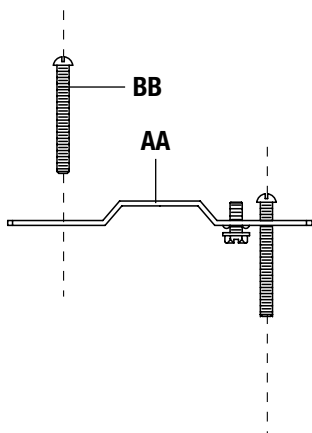



Pieza	Descripción	Cantidad
A	Fixture	1
B	Cylinder Nut	2
C	Cup	1
D	Metal Shade	1
E	Glass Shade	1
F	Finial	1
II	Knurled Nut	1

Installation

1 Preparing for installation

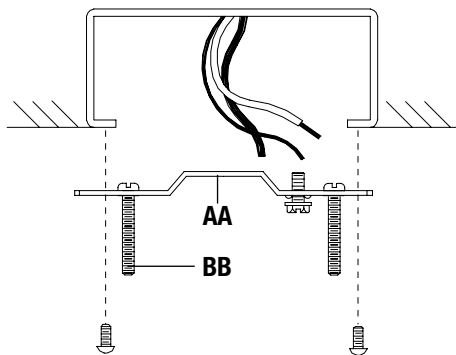
- Install screws (BB) onto the mounting strap (AA).



 **NOTE:** The screws (BB) should extend long enough to protrude through the fixture (A) canopy when it is mounted (Adjust screws as needed).

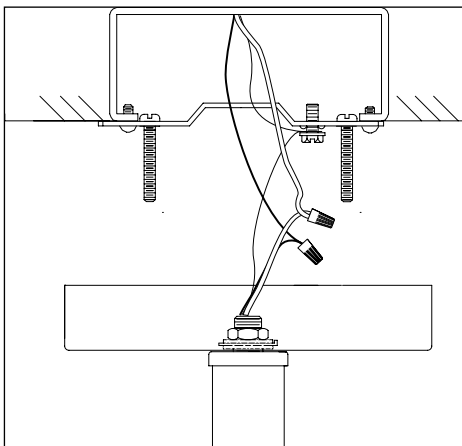
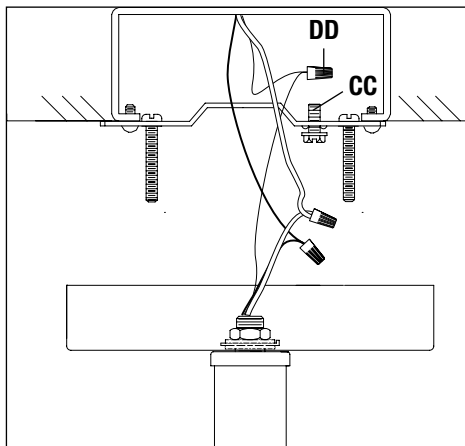
2 Attaching the mounting strap assembly to the junction box

- Attach the mounting strap (AA) onto the junction box using the mounting screws supplied with the junction box (not included).
- Ensure the screws (BB) protrude away from the mounting strap (AA).



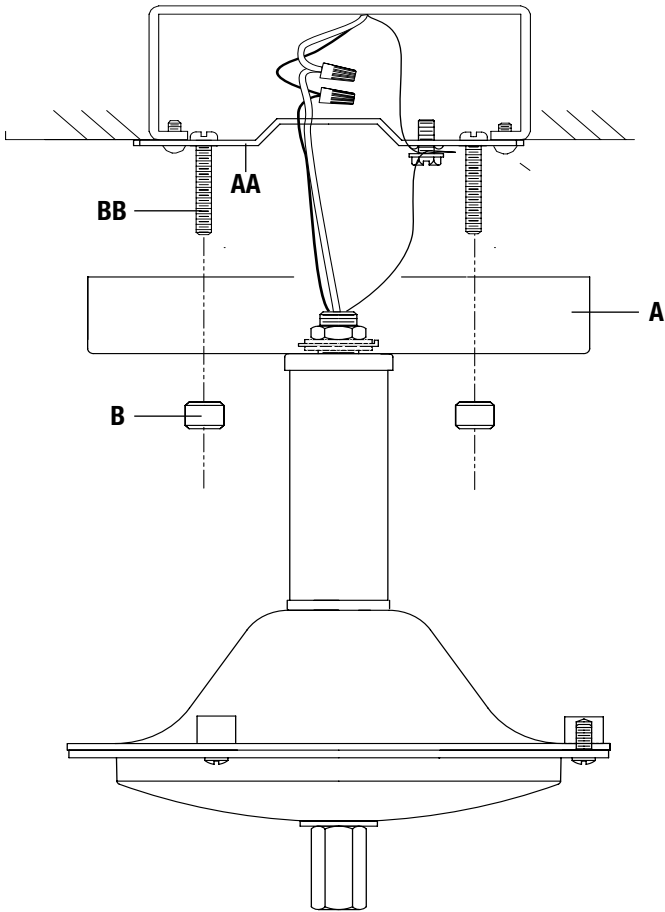
3 Making the electrical connections

- Strip 3/8" of insulation from the electrical wire ends.
- Using wire nuts (DD), connect the white fixture wire to the white supply wire from the junction box; connect the black fixture wire to the black supply wire.
- Connect the fixture ground wire and supply ground wire using a wire nut (DD) or by fastening to the ground screw (CC) on the mounting strap (AA).



4 Installing the fixture to the junction box

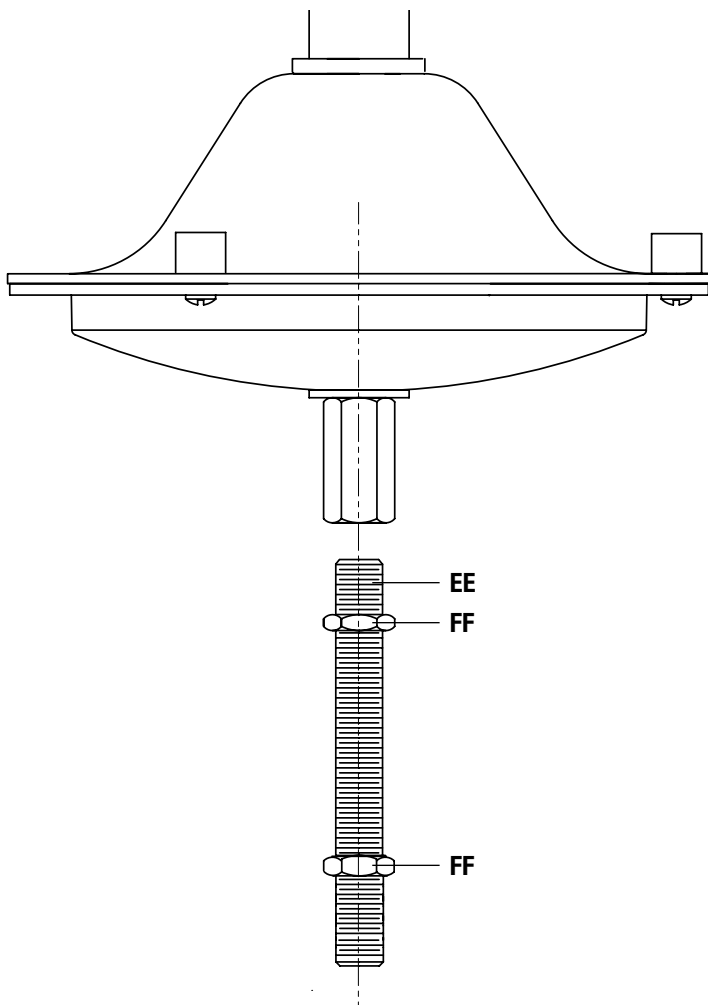
- Attach the fixture (A) to the mounting strap (AA) by aligning the screws (BB) with the holes in the fixture's (A) canopy.
- Secure the fixture (A) to the mounting strap (AA) by using the ball nuts (B). Tighten securely.



NOTE: The screws (BB) should extend long enough to protrude through the fixture's (A) canopy when it is mounted (Adjust as needed).

5 Installing the stem to fixture

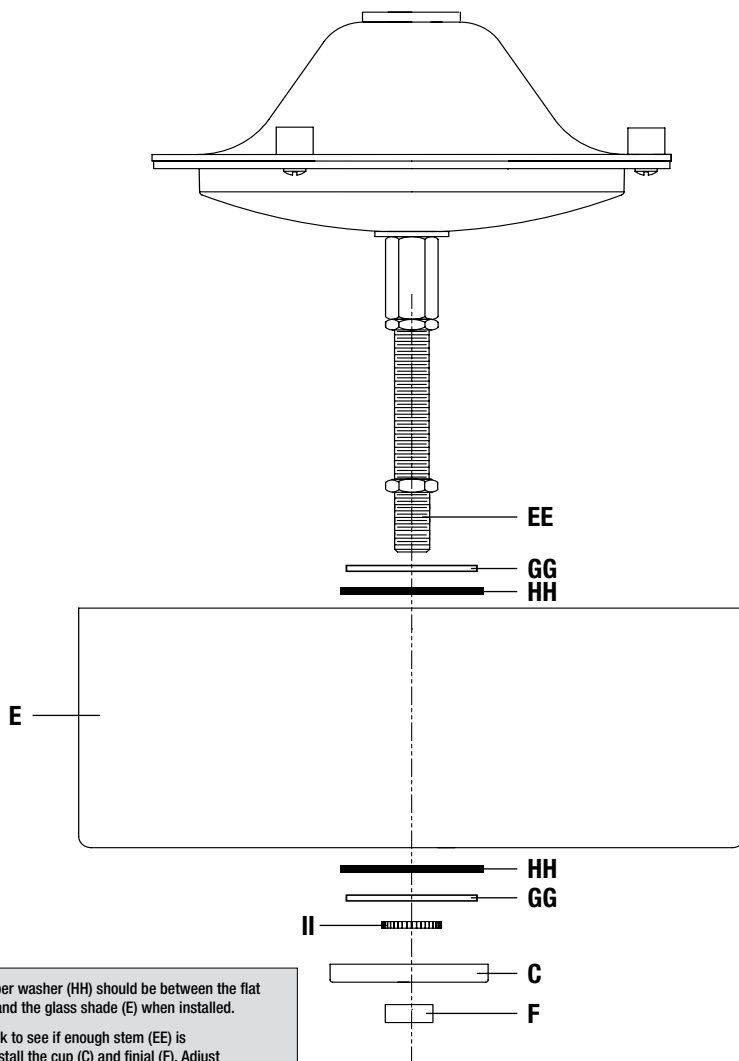
- Screw the stem (EE) into the nipple until the hex nut (FF) is flush with the nipple. The nipple is already pre-assembled on the fixture (A).
- Screw another hex nut (FF) on the stem (EE). Leave enough stem (EE) to install the glass shade (E), cup (C) and finial (F).



NOTE: Hex nut (FF) can be adjusted to allow for correct distance for installing the glass shade (E), cup (C) and finial (F). Adjust hex nuts (FF) as needed.

6 Installing the glass shade

- Insert a flat washer (GG) and a rubber washer (HH) onto the stem (EE).
- Install the glass shade (E) by inserting the nipple through the hole in the glass shade (E).
- Insert another rubber washer (HH) and a flat washer (GG) onto the stem (EE).
- Screw the knurled nut (II) onto the stem (EE) to secure the glass shade (E) to the fixture (A).
- Attach the cup (C) and thread the finial (F) onto the stem (EE). Secure the finial (F) tightly

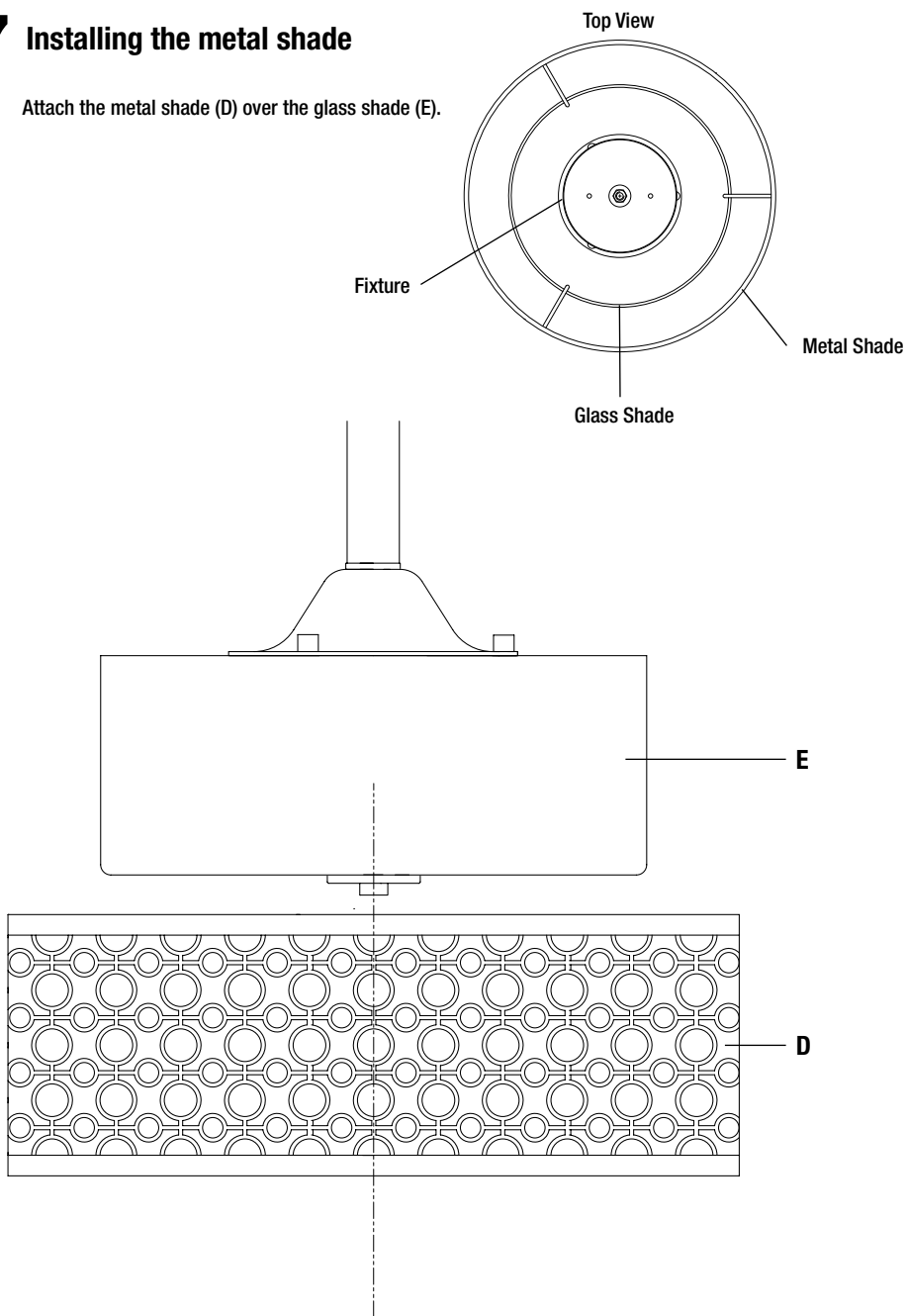


NOTE: Rubber washer (HH) should be between the flat washer (GG) and the glass shade (E) when installed.

NOTE: Check to see if enough stem (EE) is available to install the cup (C) and finial (F). Adjust hex nuts (FF) as needed.

7 Installing the metal shade

- Attach the metal shade (D) over the glass shade (E).



Care and Cleaning

- Shut off the main power supply before cleaning the product.
- To clean, wipe with a damp cloth.
- Do not use abrasive cleaners or cleaners that contain alcohol.

Troubleshooting

Problem	Possible Causes	Solution
The lights will not turn on	The power is off.	Ensure the power supply is turned on.
	There is a faulty switch.	Test or replace the switch.
	There is a faulty wire connection.	Check the wiring.
The fuse blows or the circuit breaker trips when the light is turned on.	There are crossed wires or the power wire is grounding out.	Discontinue use of the fixture. Check the wire connections or contact a qualified electrician.

NOTE: The LED module is dimmable to 10% brightness with Electronic Low Voltage (ELV) type dimmers. See list below for known compatible controls:

Lutron:

DVELV-300P
NTELV-300
VTELV-600
MAELV-600
SPSELV-600

Leviton:

AWRMG-EAW
6615-P

We do not recommend using digital dimmer controls.

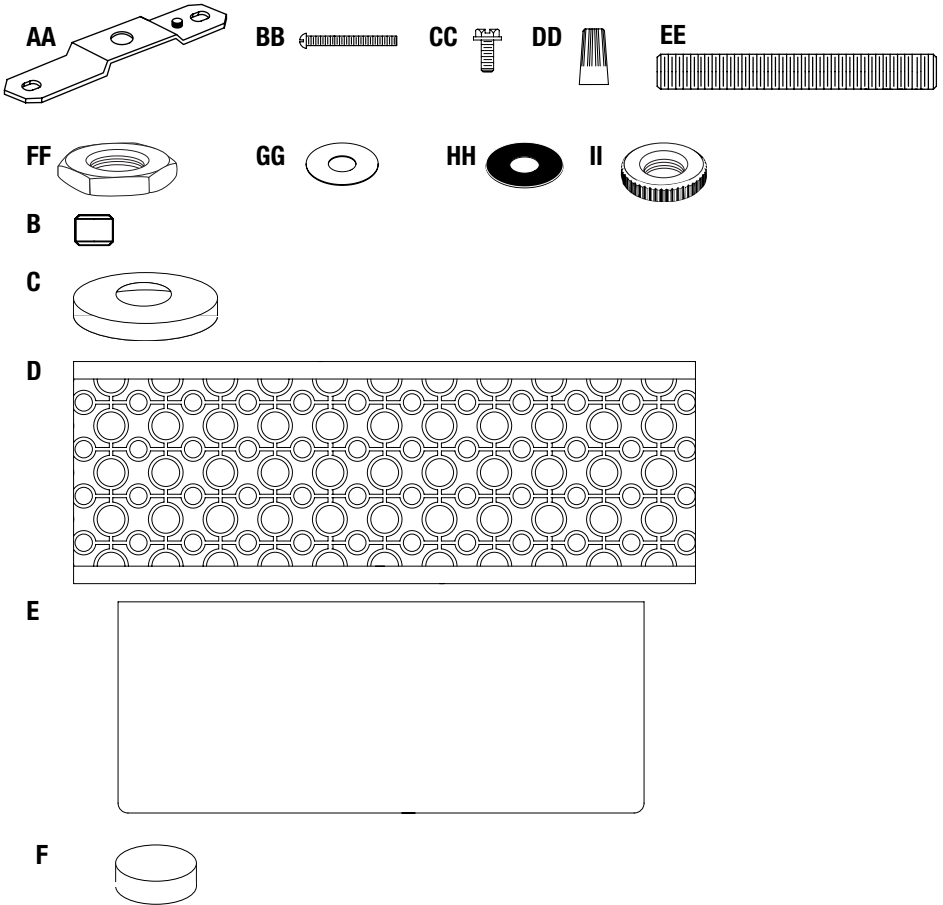
Compatibility with incandescent dimmers varies by load. Due to this factor, we recommend Electronic Low Voltage (ELV) type dimmers for best performance.

NOTE: This equipment has been tested and found to comply with the limits for a Class B digital device, pursuant to part 15 of the FCC Rules. These limits are designed to provide reasonable protection against harmful interference in a residential installation. This equipment generates, uses and can radiate radio frequency energy and, if not installed and used in accordance with the instructions, may cause harmful interference to radio communications. However, there is no guarantee that interference will not occur in a particular installation. If this equipment does cause harmful interference to radio or television reception, which can be determined by turning the equipment off and on, the user is encouraged to try to correct the interference by one or more of the following measures:

- Reorient or relocate the receiving antenna.
- Increase the separation between the equipment and receiver.
- Connect the equipment into an outlet on a circuit different from that to which the receiver is connected.
- Consult the dealer or an experienced radio/TV technician for help.

Service Parts

Model# 79140930K9HDCDI



Part	Description
AA	Mounting Strap
BB	#8-32 x 1-1/2 in. Screw
CC	#8-32 x 1-1/2 in. Green Ground Screw
DD	Wire Nut
EE	Stem 1/8P x 3-1/2 in.
FF	Hex Nut
GG	Flat Washer
HH	Rubber Washer
II	Knurled Nut

Part	Description
B	Cylinder Nut
C	Cup
D	Metal Shade
E	Glass Shade
F	Finial

HOME DECORATORS COLLECTION

Questions, problems, missing parts? Before returning to the store,
call Home Decorators Collection Customer Service
8 a.m. - 7 p.m., EST, Monday - Friday; 9 a.m. - 6 p.m., EST, Saturday

1-800-986-3460

HOMEDEPOT.COM/HOMEDECORATORS

Retain this manual for future use.