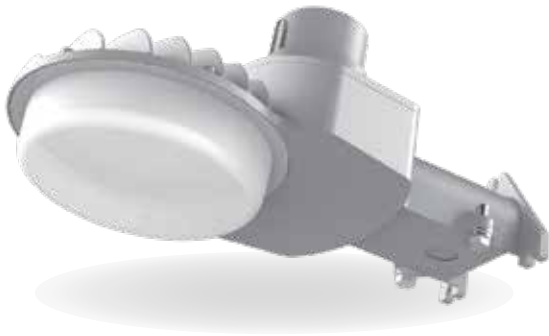
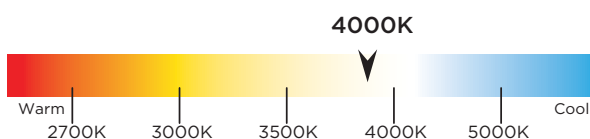


DUSK-TO-DAWN
SPEC SHEET


This LED Area and Wall Light with NEMA twist-lock Dusk to Dawn photocell offers the latest in LED performance technology with a pro-grade security solution that provides an automatic nighttime 'ON' and daytime 'OFF' mode. The fixture's 8,500 lumens brightly illuminates a wide area glare-free, saves 85% on energy costs, is maintenance-free, and never requires a single bulb change.


LIGHTING PERFORMANCE

| | |
|--------------------------------|--------------------------------|
| LUMENS (LIGHT OUTPUT) | 9000 |
| WATTAGE | 75W |
| MOUNTING | Wall/Post Mount, Extension Arm |
| FREQUENCY | 50-60 HZ |
| THD | <20% |
| PF | >0.9 |
| AMBIENT OPERATING RANGE | -30-40°C |
| INPUT VOLTAGE | 120-277V |
| EFFICACY | 122 LM/W |
| LED CHIP | Lumileds 3030* |
| DRIVER | YG* driver technology |
| PHOTOCELL | Yes, 3-Pin 120-277V NEMA |
| DRIVER EFFICIENCY | >85% |
| STANDARD LIFETIME | >50,000 hours |
| STANDARD WARRANTY | 5 Years |
| WATER PROOFING GRADE | IP65 |
| WEIGHT | 5.31 lbs (less arm) |
| CCT | 4000 Kelvin |
| DIMENSIONS | 7.3" x 15.04" x 9.1" |

LIGHT APPEARANCE (CCT)


*All results according to IESNA - LM79-2008
 *Light Output reported as total integrated lumens (light source & fixture)

PRODUCT PERFORMANCE AT A GLANCE

| SYSTEM WATTAGE | LED WATTAGE | LUMENS | LP/W | CRI | REPLACES (MH) |
|----------------|-------------|---------|----------|-----|---------------|
| 75W | 68W | 9000 lm | 120 lm/w | ≥70 | 250W |

HOUSING

One piece die cast aluminum housing with integral arm mounting hub that can be direct mounted with lag bolts or onto 1 1/2" O.D. mounting arm.

IP RATING & LISTINGS

LED light engine is weather proof rated IP65.

DLC Premium, cULus, FCC Certified

MOUNTING

Fixture mounts to vertical surface using 1/4" lag bolts or easily fits onto 1-1/2" O.D. round pipe/tube. Direct mount and round pipe mounting hardware provided as standard. Extension mounting arm available separately as an accessory.

ACCESSORIES

24" Extension Arm Mount – Model ARM24-SLV

OPTICS

Refractive design featuring prisms to spread light in a symmetrical Type 5 distribution.

Frosted lens eliminates glare for an inviting light source.

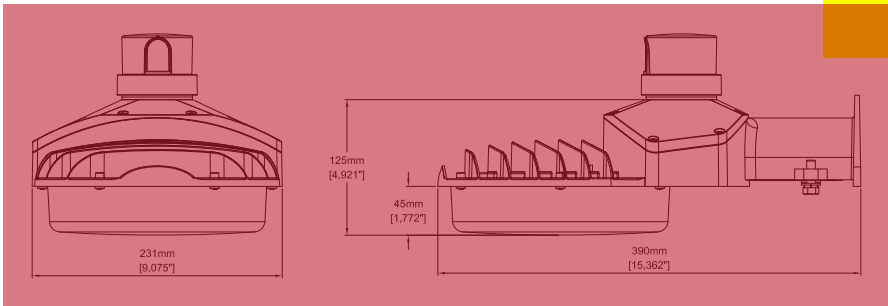
FINISH

Fade, weather, and abrasion resistant, electrostatically applied, thermally cured, triglycidal isocyanurate (TGIC) textured polyester powdercoat finish. Paint is smooth gray.

APPLICATION

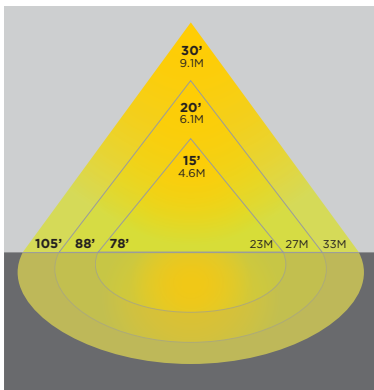
From barns, garages, to roadways, the Astra 75 is designed to easily be installed anywhere requiring wide and uniform light coverage.

PRODUCT LINE DRAWING



SUGGESTED MOUNTING HEIGHT:
15-30FT. (4.6-9.1M)

3D PHOTOMETRIC VIEW



APPLICATIONS

