

ELECTRIC FREESTANDING RANGE

EI30EF45QS

Featuring IQ-Touch™ Electronic Controls



PRODUCT DIMENSIONS

Height (Adjustable)	36-1/8" - 36-5/8"
Width	29-7/8"
Depth (including handle)	28-31/32"

MORE EASY-TO-USE FEATURES

WARMER DRAWER

Maintain the perfect temperature of your food until serving time.

EASY-TO-CLEAN COOKTOP SURFACE

Smooth glass cooktop makes cleanup a breeze.

A LUXURY-GLIDE® OVEN RACK

With a ball bearing system, the oven rack is so smooth it extends effortlessly so you can more easily manage the transfer of all dishes, even heavy ones.

PLATINUM STAR® LIMITED WARRANTY

Our exclusive limited warranty that includes 3-year coverage on parts and one year on labor¹.

CONVECTION CONVERSION

Automatically adjusts standard baking temperatures to convection temperatures, for perfect, consistent results.

6 COOKING MODES

Bake, Broil, Convection Bake, Convection Roast, Keep Warm and Slow Cook.

KEEP WARM SETTING

Maintain food at the perfect serving temperature with this setting — it's a great feature when you're entertaining. Additional warming zone on cooktop allows for ultimate flexibility.

IQ-TOUCH™ CONTROLS

The IQ-Touch™ control panel displays all of your options, at all times.

A.D.A. COMPLIANT

When properly installed, this model is A.D.A.-qualified based on the United States Access Board's A.D.A./A.B.A. Accessibility Guidelines and the Department of Justice's 2010 A.D.A. Standards for Accessible Design.

Available in:



Stainless
(S)

¹Eligibility based on product registration with Electrolux North America within 60 days of purchase. Products must have been purchased on or after July 1, 2013. Coverage includes material parts for 3 years and labor for 1 year.

SIGNATURE FEATURES



FRONT CONTROL DESIGN

Effortlessly upgrade your back-control range to built-in style. This range will easily replace traditional 30" freestanding ranges.



PERFECT TASTE™ DUAL CONVECTION

For consistently delicious taste and texture, our dual-fan convection circulates air more evenly throughout the oven for an even cook. Two variable speeds work in tandem with three heating elements (bake, broil, and convection) to give you delicious results every time.



PERFECT TASTE™ TEMP PROBE

The Perfect Taste™ Temp Probe lets you cook each dish to perfection. It does more than measure temperature — it alerts you when food has reached the desired temperature and automatically adjusts to the Keep Warm setting, so you never overcook your food and deliver perfect results every time.



FLEX-2-FIT® HEATING ELEMENTS

Automatically expands up to three sizes, giving you precision and control with a variety of cookware.

ELEMENT	WATTS
6 to 9 to 12" Triple Expandable Element	1,200/2,000/3,000
9" Electric Element	3,200
6" Electric Element	1,200
6" Electric Element	1,200
Warming Zone	100

ELECTRIC FREESTANDING RANGE

EI30EF45QS



30" ELECTRIC FREESTANDING RANGE

CONTROL PANEL FEATURES

IQ-Touch™ Electronic Oven Control	Yes
Professional-Grade Element Controls	Yes
Keypad Entry of Time & Temperature	Yes
Electronic Clock & Timer	Yes
Temperature Display	Yes
Automatic Oven (Delay, Cook & Off)	Yes

COOKTOP FEATURES

Flex-2-Fit® Ceramic Glass Smoothtop	1
6 to 9 to 12" Triple Expandable Element 1,200W/2,000W/3,000W	1
9" Electric Element 3,200W	1
6" Electric Element 1,200W	2
Warming Zone – 100W	Yes

OVEN FEATURES

Capacity	4.6 Cu. Ft.
Hidden Bake Element	Yes
Eight-Pass Bake Element – 2500 Watts	Yes
Eight-Pass Broil Element – 4000 Watts	Yes
Convection Element – 2500 Watts	Yes
Cobalt Blue Interior	Yes
Self-Clean Options with Door Lock	Yes
Perfect Taste™ Convection	Yes
Cooking Modes – Bake, Broil, Convection Bake, Convection Roast, Keep Warm, Slow Cook	6
Baking Options – Temperature Probe, Delay Bake, Convection Convert	3
Luxury-Design® Lighting with Dual 40W Halogen Bulbs	Yes
Luxury-Glide® Racks	1
Conventional Racks	1
Convection Roasting Rack	

ADDITIONAL FEATURES

Luxury-Hold™ Oven Door	
Extra-Large Glass Window	Yes
Warmer Drawer	Yes
Adjustable Leveling Legs	Yes
Sabbath Mode (Star-K® Certified)	Yes
A.D.A. Compliant*	Yes

ACCESSORIES

Meat Probe	Included
Stainless Steel Backguard – PN# A02535501	Optional

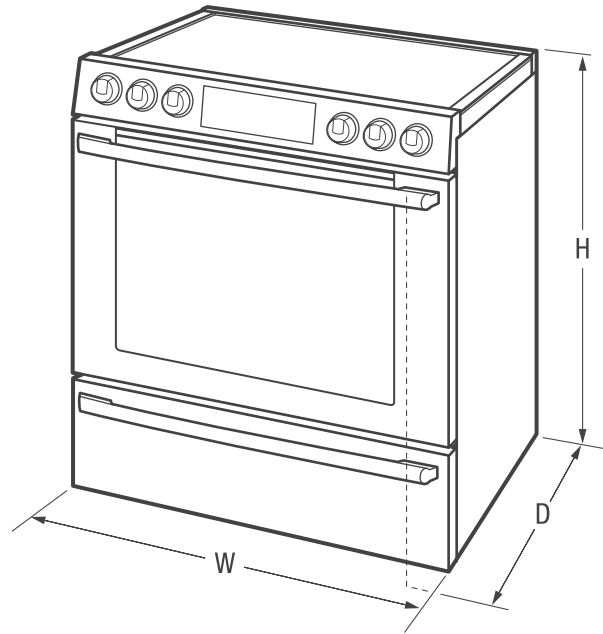
SPECIFICATIONS

Color – Stainless Steel	S
Power Supply Connection Location	Right Bottom Rear
Connected Load (kW Rating) @ 240/208 Volts	13.8/10.4
Amps @ 240/208 Volts	57.5 / 50
Minimum Circuit Required (Amps)	40
Shipping Weight (Approx.)	245 Lbs.

*When properly installed, this model is A.D.A.-qualified based on the United States Access Board's A.D.A./A.B.A. Accessibility Guidelines and the Department of Justice's 2010 A.D.A. Standards for Accessible Design.

NOTE: Always consult local and national electric codes. Refer to Product Installation Guide for detailed installation instructions on the web at electroluxappliances.com.

Specifications subject to change.



PRODUCT DIMENSIONS

Height (Adjustable)	36-1/8" - 36-5/8"
Width	29-7/8"
Depth (including handle) (with 90° Door Open)	28-31/32" 46"

OVEN CAVITY DIMENSIONS

Height	17-1/2"
Width	24-1/8"
Depth	18-3/4"

Electrolux Major Appliances, N.A.

USA • 10200 David Taylor Drive • Charlotte, NC 28262 • 1-877-4electrolux (1-877-435-3287) • electroluxappliances.com
 CANADA • 5855 Terry Fox Way • Mississauga, ON L5V 3E4 • 1-800-265-8352 • electroluxappliances.ca

EI30EF45Q 10/15

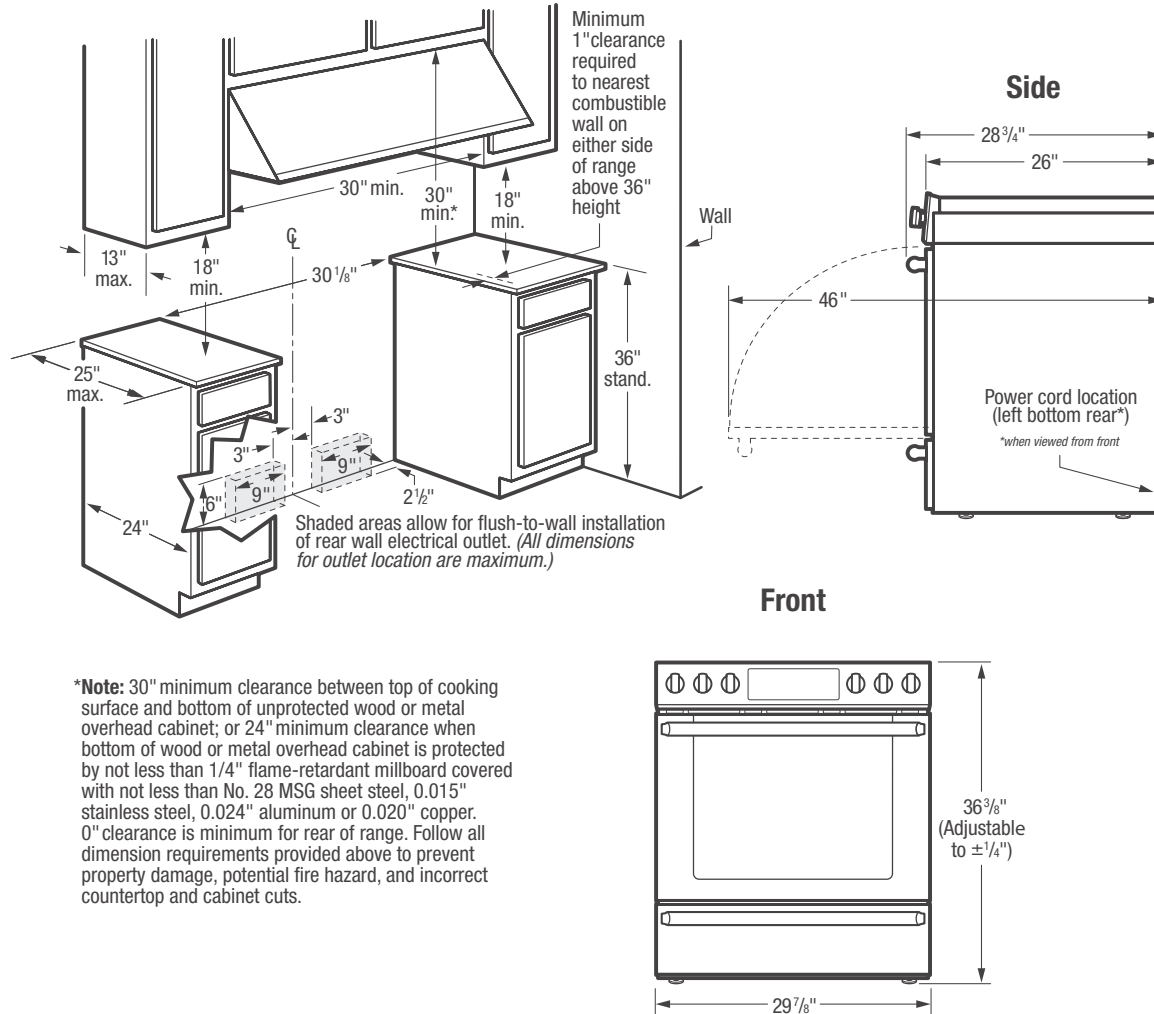
© 2015 Electrolux Home Products, Inc.



High standards of quality at Electrolux Home Products, Inc. mean we are constantly working to improve our products. We reserve the right to change specifications or discontinue models without notice.

ELECTRIC FREESTANDING RANGE

EI30EF45QS



30" Electric Freestanding Range Specifications

- Product Weight – 240 Lbs.
- Single phase 3- or 4-wire cable, 120 / 240 or 120 / 208 Volt, 60 Hertz, fused on both sides of line with ground.
- Connected Load (kW Rating) @ 240 / 208 Volts = 13.8 / 10.4 kW
- Amps @ 240 / 208 Volts = 57.5 / 50 Amps
- Recommended Circuit Breaker – 40 Amps
- Always consult local and national electric codes.
- Make sure wall coverings around range can withstand heat generated by range.
- Floor beneath range MUST be solid and level.
- Overhead cabinetry should not exceed a 13" maximum depth.
- Absolute minimum horizontal distance between overhead cabinets installed to either side of appliance must be no less than maximum width of appliance.
- Range can be installed flush to wall with 0" minimum rear clearance.
- Minimum 1" clearance required from edge of rangetop to nearest combustible wall on either side of range above 36" height.

- Allow 30" minimum clearance between top of cooking surface and bottom of unprotected wood or metal overhead cabinet; or 24" minimum clearance when bottom of wood or metal overhead cabinet is protected by not less than 1/4" flame retardant millboard covered with not less than No. 28 MSG sheet steel, 0.015" stainless steel, 0.024" aluminum or 0.020" copper.
- To reduce risk of fire when using overhead cabinetry, install range hood that projects horizontally a recommended minimum of 5" beyond bottom of cabinets.
- Follow all dimension requirements provided to prevent property damage, potential fire hazard, and incorrect countertop and cabinet cuts.

Note: For planning purposes only. Refer to Product Installation Guide on the web at electroluxappliances.com for detailed instructions.

Optional Accessories

- Stainless Steel Backguard – (PN # A02535501).

Electrolux Major Appliances, N.A.

USA • 10200 David Taylor Drive • Charlotte, NC 28262 • 1-877-4electrolux (1-877-435-3287) • electroluxappliances.com
 CANADA • 5855 Terry Fox Way • Mississauga, ON L5V 3E4 • 1-800-265-8352 • electroluxappliances.ca

EI30EF45Q 10/15

© 2015 Electrolux Home Products, Inc.



High standards of quality at Electrolux Home Products, Inc. mean we are constantly working to improve our products. We reserve the right to change specifications or discontinue models without notice.