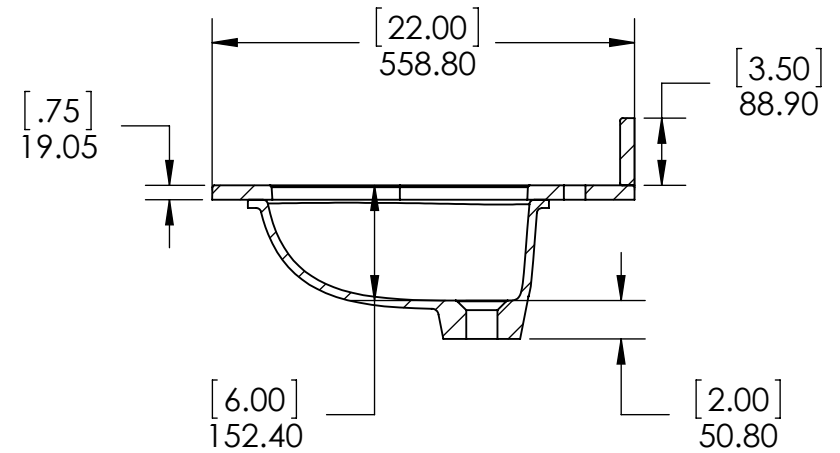
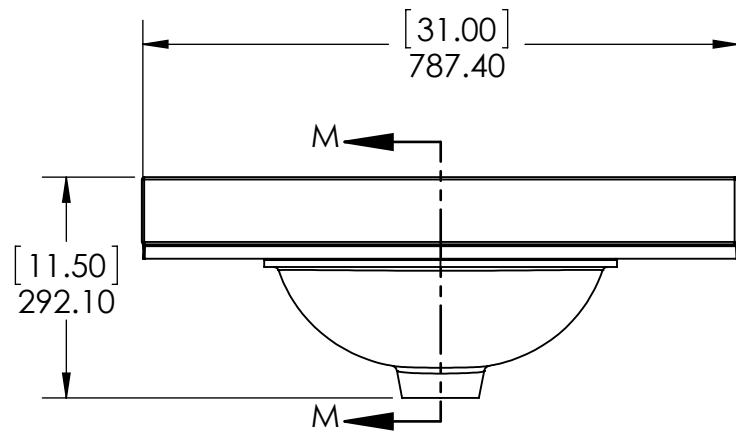
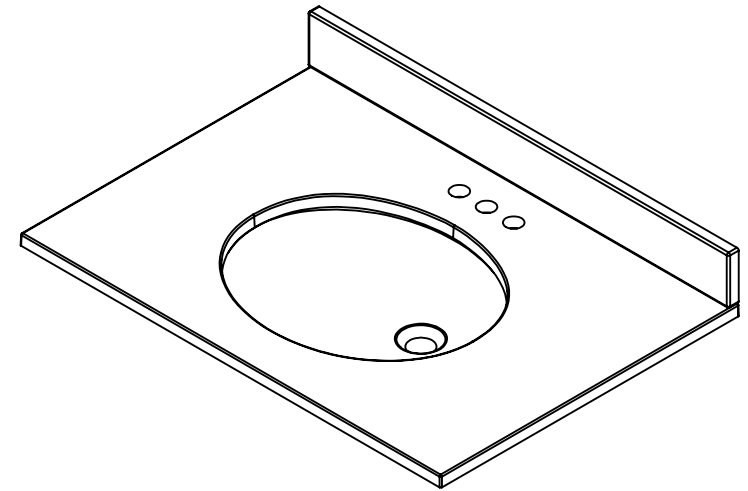
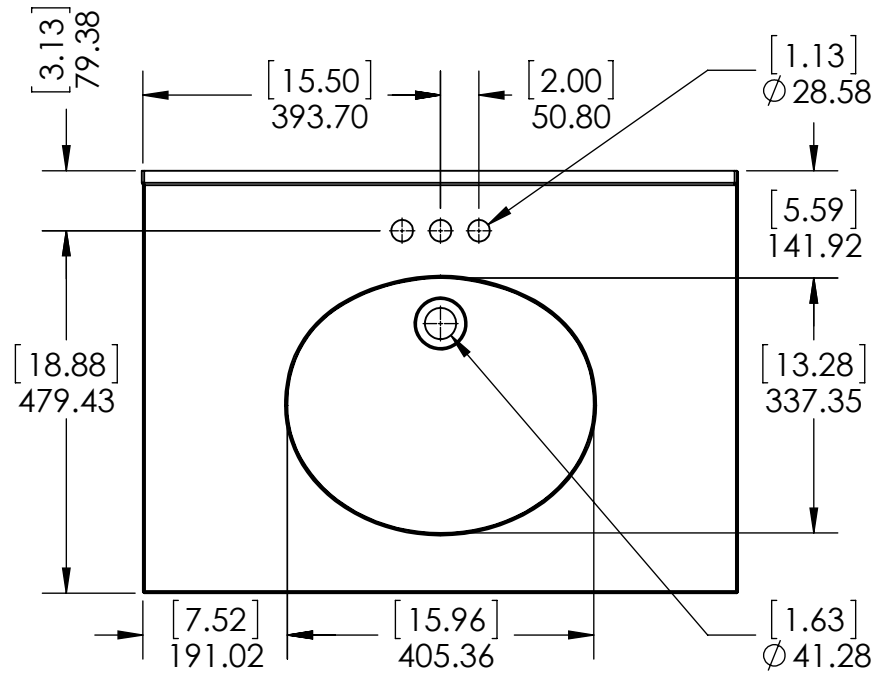


Rev #	Approved by	Change
0	R. Rubio	Released
1	O. Razo	New color and profile



**PROPRIETARY AND CONFIDENTIAL**  
 THE INFORMATION CONTAINED IN THIS DRAWING IS THE SOLE PROPERTY OF WOODCRAFTERS. ANY REPRODUCTION IN PART OR AS A WHOLE WITHOUT THE WRITTEN PERMISSION OF WOODCRAFTERS IS PROHIBITED.

UNLESS OTHERWISE SPECIFIED  
 DIMENSIONS ARE IN INCHES AND [MM]  
 TOLERANCES ARE  
 +0.125 [3.175] -0.125 [-3.175]  
 SCALE:1:10

	NAME	DATE
DRAWN	R. Rubio	08/22/16
CHECKED	R. Rubio	08/22/16
ENG APPR.	R. Rubio	08/22/16
MFG APPR.	C. Leal	08/22/16

**Wood Crafters**  
 Vtop Stone Effect, Oval 31x22  
 SIZE DWG. NO. A  
 SHEET 1 OF 2  
 REV. 1

ID	Description	Technology	Status
SE31O-PR	Vtop Oval 31x22 SE Pulsar 4in	Stone Effect	Approved for production
SE31O-MG	Vtop Oval 31x22 SE Mineral Gray 4in	Stone Effect	Approved for production
SE31O-WM	Vtop Oval 31x22 SE Winter Mist 4in	Stone Effect	Approved for production
SE31O-CO	Vtop Oval 31x22 SE Cold Fusion 4in	Stone Effect	Approved for production
SE31O-DN	Vtop Oval 31x22 SE Dune 4in	Stone Effect	Approved for production
SE31O-RU	Vtop Oval 31x22 SE Rustic Gold 4in	Stone Effect	Approved for production

Rev #	Approved by	Change
0	R. Rubio	Released
1	O. Razo	New color and profile

**PROPRIETARY AND CONFIDENTIAL**  
 THE INFORMATION CONTAINED IN THIS DRAWING IS THE SOLE PROPERTY OF WOODCRAFTERS. ANY REPRODUCTION IN PART OR AS A WHOLE WITHOUT THE WRITTEN PERMISSION OF WOODCRAFTERS IS PROHIBITED.

UNLESS OTHERWISE SPECIFIED  
 DIMENSIONS ARE IN INCHES AND [MM]  
 TOLERANCES ARE  
 + 0.125 [3.175] - 0.125 [-3.175]  
 SCALE:1:10

	NAME	DATE
DRAWN	R. Rubio	08/22/16
CHECKED	R. Rubio	08/22/16
ENG APPR.	R. Rubio	08/22/16
MFG APPR.	C. Leal	08/22/16

		SHEET 2 OF 2
SIZE	DWG. NO.	REV.
A	Vtop Stone Effect, Oval 31x22	1