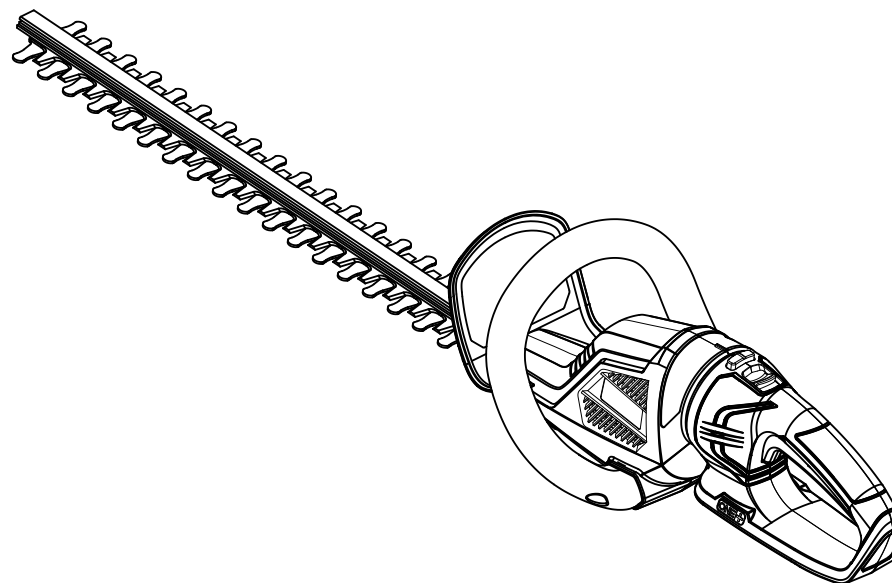


REPAIR SHEET

| | | |
|--|--|---|
| BRAND RYOBI | | DESCRIPTION 18 Volt Hedge Trimmer |
| MODEL NO. P2606 P2606VNM | MFG. NO. 107266001 107266101 | |

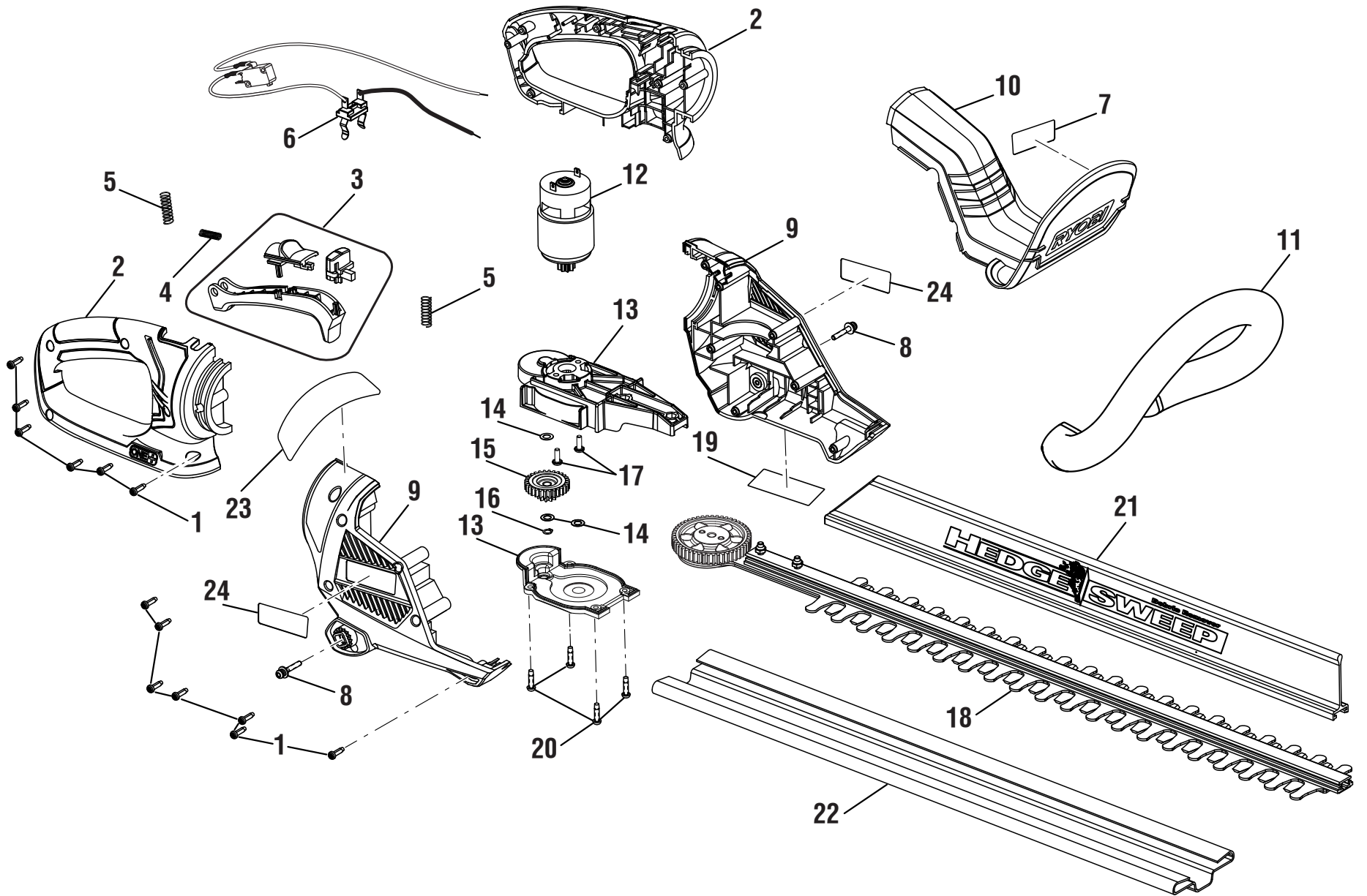


TECHTRONIC INDUSTRIES POWER EQUIPMENT

P.O. Box 1288, Anderson, SC 29622 ■ 1-800-525-2579 ■ www.ryobitools.com

10-13-20 (Rev:03)

The model number and manufacturing location will be found on a label attached to the product. Always mention this information in all communications regarding this product and when ordering parts.





P2606/P2606VNM

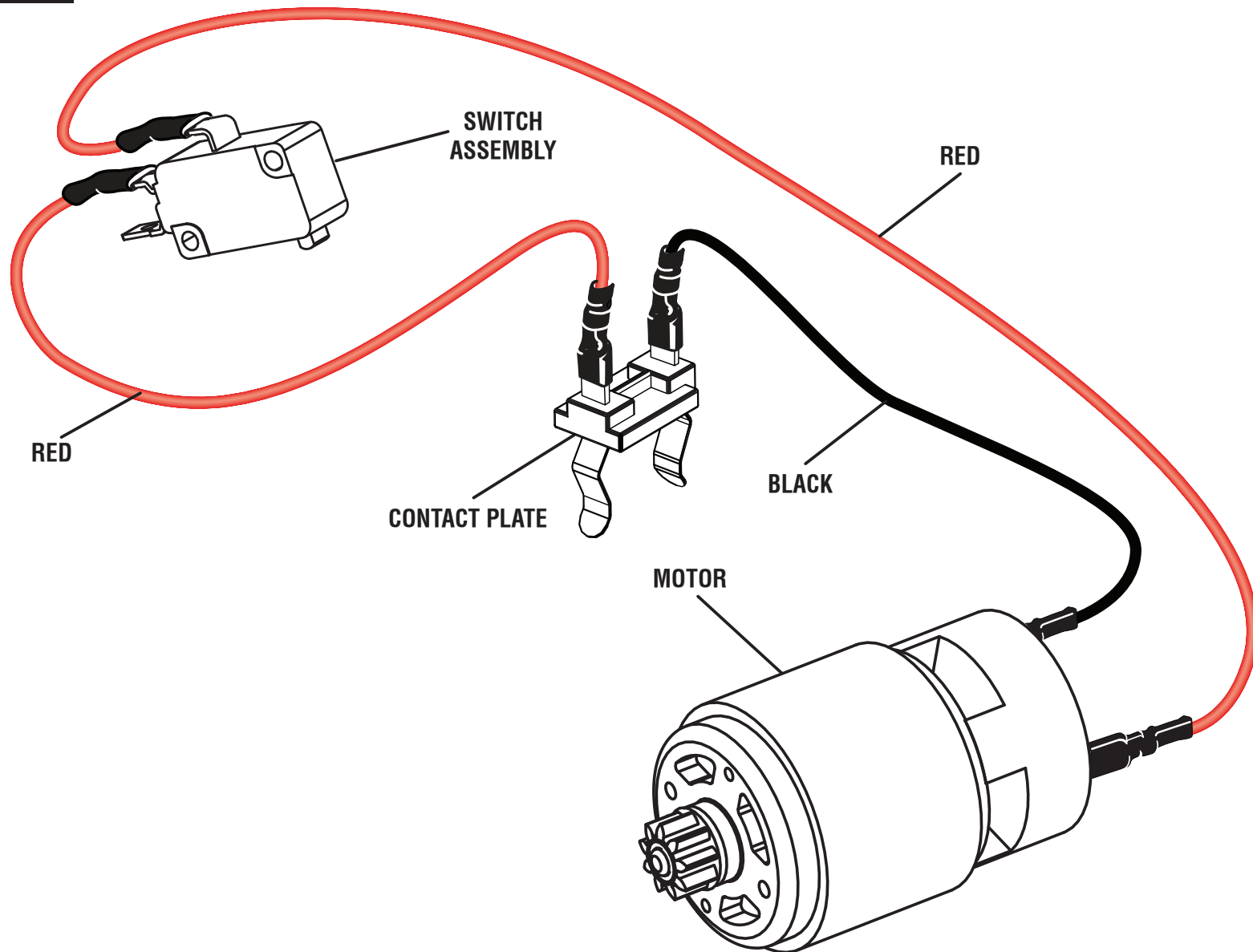
PARTS LIST

| KEY NO. | PART NO. | DESCRIPTION | QTY. |
|---------|-----------|---|------|
| 1 | 661817001 | Screw (M4 x 14 mm, T15 Torx Pan Hd.) | 13 |
| 2 | 311825001 | Handle Assembly | 1 |
| 3 | 311829001 | Trigger Assembly | 1 |
| 4 | 679055007 | Compression Spring | 1 |
| 5 | 679055008 | Compression Spring | 2 |
| 6 | 311827001 | Wiring Harness | 1 |
| 7 | 941769001 | Warning Icon Label | 1 |
| 8 | 660137010 | Screw w/Washers (M4 x 26 mm, T15 Torx Pan Hd.) | 2 |
| 9 | 311824001 | Housing Assembly (Inc. Key Nos. 19, 23-24) (P2606) | 1 |
| | 317346001 | Housing Assembly (Inc. Key Nos. 19, 23-24) (P2606VNM) | 1 |
| 10 | 317345001 | Top Cover Assembly (Inc. Key No. 7) | 1 |
| 11 | 529546001 | Front Handle | 1 |
| 12 | 311828001 | Motor and Pinion Assembly | 1 |
| 13 | 307878001 | Gear Box w/Cover Assembly | 1 |

| KEY NO. | PART NO. | DESCRIPTION | QTY. |
|---------|-------------------|--|------|
| 14 | 670914001 | Washer (M6, OD11 x ID6.2 x 0.3t) | 3 |
| 15 | 610114001 | Center Gear | 1 |
| 16 | 670704001 | Retaining Ring | 1 |
| 17 | 660137001 | Screw w/Tooth Washer (M4 x 12 mm, Pan Hd.) | 2 |
| 18 | 311826001 | Blade Assembly | 1 |
| 19 | 941588102 | Data Label (P2606) | 1 |
| | 941588558 | Data Label (P2606VNM) | 1 |
| 20 | 660208052 | Screw (M4 x 16 mm, Pan Hd.) | 4 |
| 21 | 526799004 | Hedge Sweep | 1 |
| 22 | 525406005 | Blade Shield | 1 |
| 23 | 940851647 | Rotating Handle Label | 1 |
| 24 | 940705490 | Logo Label | 2 |
| | Not Shown: | | |
| | 991000689 | Operator's Manual | |



P2606/P2606VNM



WIRING DIAGRAM