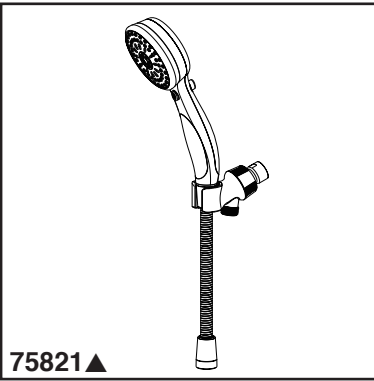




HANDSHOWER

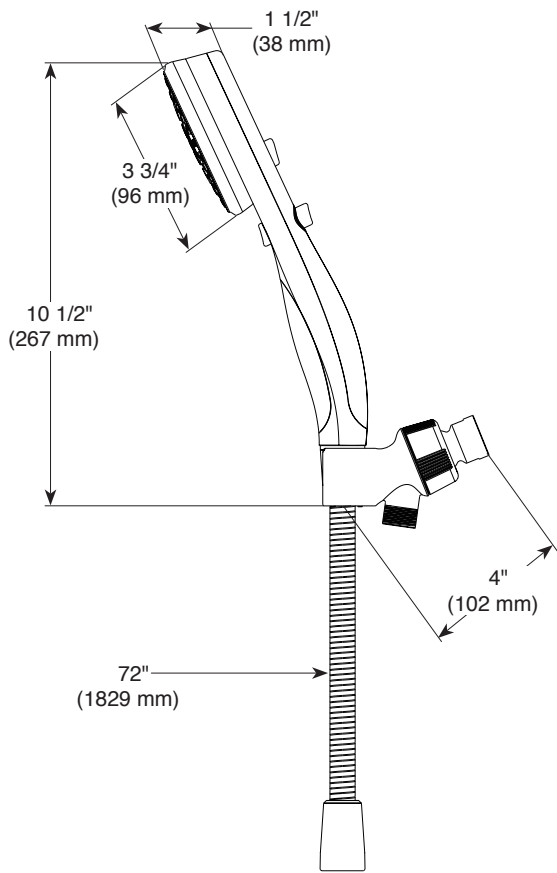
- 9-Spray Setting Handshower
- Touch-Clean® nozzles
- Push Button Selection
- Arm Mount Handshower



Submitted Model No.: _____

Specific Features: _____

75821▲ 2.0 GPM



- Full Body Spray
- Fast Massage Spray
- Full Spray w/ Massage
- Shampoo Rinse Spray
- Shampoo Rinse w/ Massage
- Soft Drenching Spray
- Soft Full Spray
- Soft Drenching w/ Massage
- Pause

STANDARD SPECIFICATIONS:

- Maximum flow rate 2.0 gpm @ 80 PSI, 7.6L/ min @ 552kPa.
- Hand held shower with nine spray settings - not a positive shut-off.
- Simple one-Handed control with touch-Activated Technology.
- 3 buttons create 8 unique sprays.
- Adjustable shower arm mounting for hands-free showering.
- Soft touch non-slip grip.
- 72" (1829mm) Ribbon hose.

WARRANTY

- Lifetime limited warranty on parts (other than electronic parts and batteries) and finishes; or, for commercial users, for 5 years from the date of purchase.
- 5 year limited warranty on electronic parts (other than batteries); or for commercial users, for 1 year from the date of purchase. No warranty is provided on batteries.



COMPLIES WITH

- ASME A112.18.1 / CSA B125.1
- EPA WaterSense®

▲ Designate proper finish suffix

Delta reserves the right (1) to make changes in specifications and materials, and (2) to change or discontinue models, both without notice or obligation. Dimensions are for reference only. See current full-line price book or www.deltafaucet.com for finish options and product availability.



55 E. 111th Street, Indianapolis, Indiana 46280
 350 South Edgeware Road, St. Thomas, Ontario Canada N5P 4L1
 © 2015 Masco Corporation of Indiana