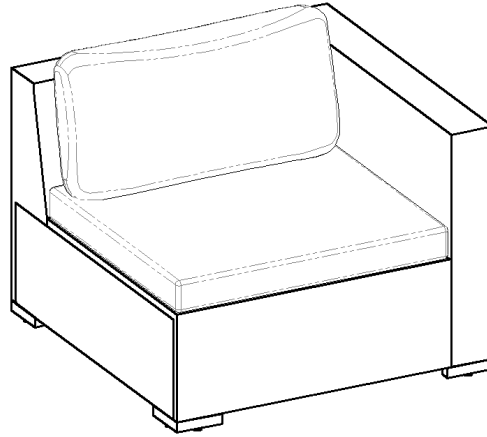


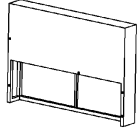
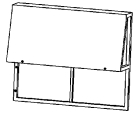
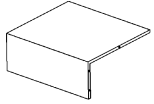

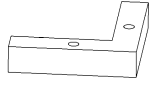


# Assembly Instructions

Caution: You must read this before you proceed

## RIGHT ARMCHAIR



### Parts List

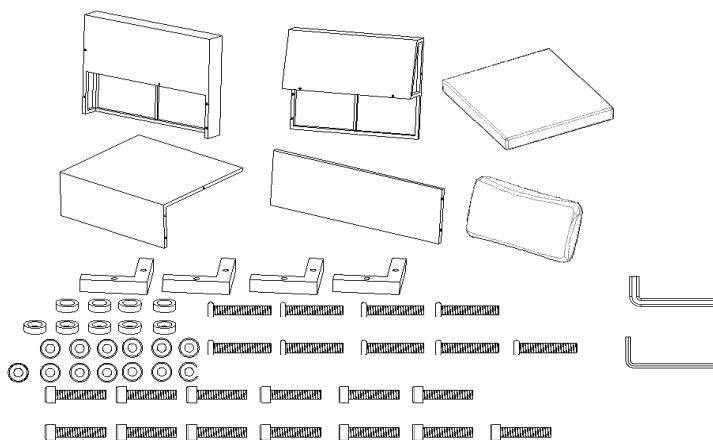
Label	Picture	Description	QTY
A		Right Armrest	1
B		Back	1
C		Seat	1
D		Side Plate	1
E		Foot	4
F		Seat Cushion	1
G		Back Cushion	1

# Hardware

Label	Picture	Description	QTY
①		Allen Key (M6)	1
②		Bolt (M6*45mm)	13
③		Washer	13
④		Allen Key (M4)	1
⑤		Bolt (M6*45mm)	9
⑥		Washer Ring	9

## Assembly Preparation

Before Beginning Assembly:



- Read instructions, cover to cover-



- Have 2 adults on hand for assembly-



- Do not assemble on flooring or carpet-

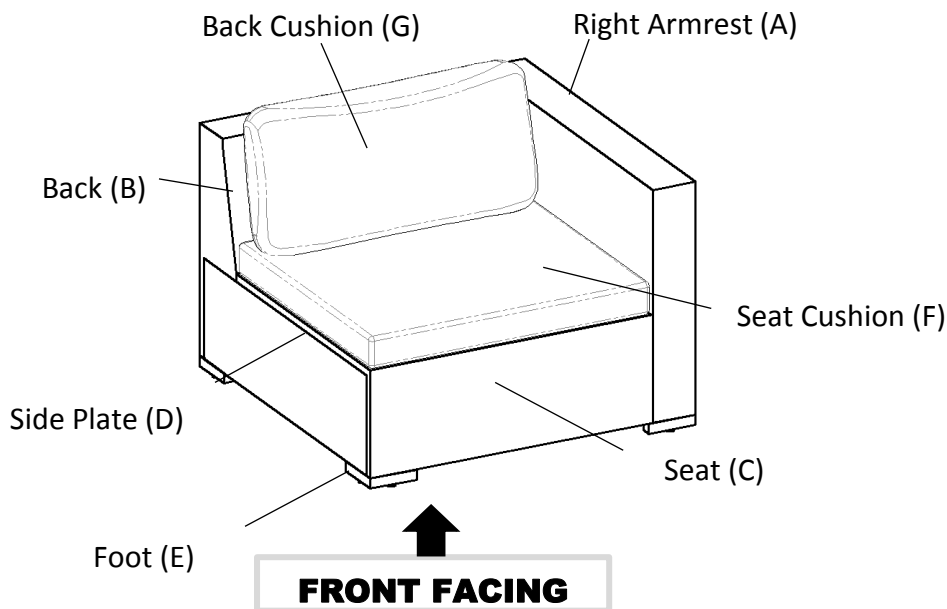


- Assemble on a clean non-marring surface (packing foam)-



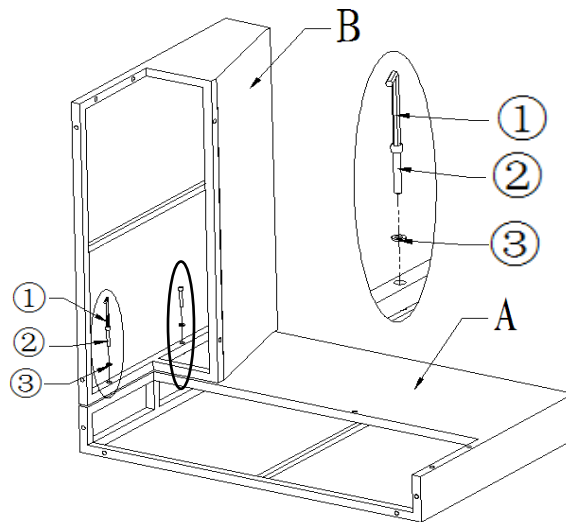
- Save all packaging until finished-

## Assembly Steps



This Right Armchair has multiple parts and may require up to 30 minutes to assemble. To give you an overview of the Right Armchair parts, the above picture is to help you put the various parts into perspective. Please read through the instructions below to familiarise yourself with the parts and steps before assembly.

### Step 1

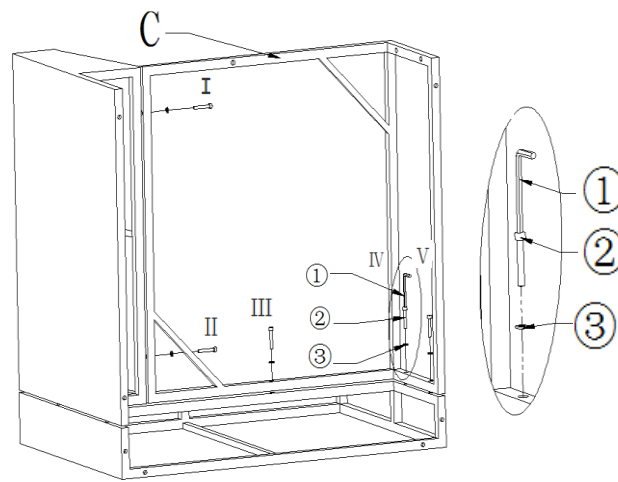


Open the carton and place all the parts onto a clean, non-marring surface.  
Place the Right Armrest(A) with its inside facing up.  
Attach Back(B) to Right Amrest(A) using Bolt(②) and Washer(③) with Allen Key(①) as shown above.

**Do not fully tighten.**

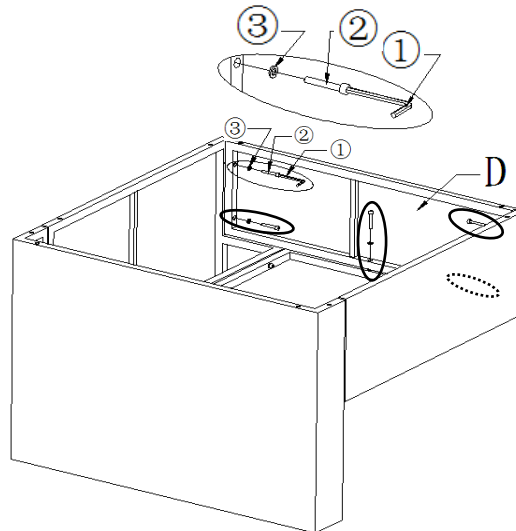
**ATTENTION: There may be some PE wicker that may have covered the Mounting Points. To ease assembly, guide and slide the PE wicker away from these Mounting Points. DO NOT CUT AWAY ANY PE WICKER as this would cause the wicker to unravel!**

Step 2



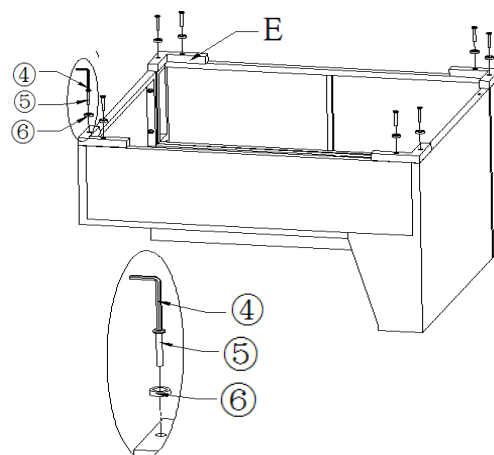
Attach Seat(C) between the Right Armrest(A) and Back(B) using Bolt(2) and Washer(3) with Allen Key(1) from position # I to # V as shown above.  
**Do not fully tighten.**

Step 3



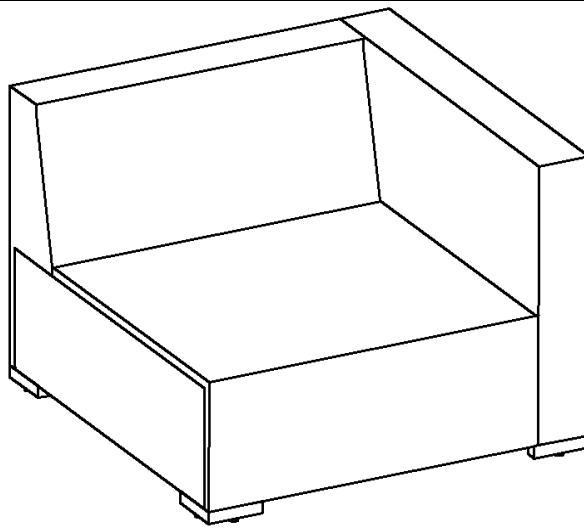
Attach Side Plate(D) between the Back(B) and Seat(C) using Bolt(2) and Washer(3) with Allen Key(1) as shown above.  
**Do not fully tighten.**

Step 4



Attach the Foot(E) to the Chair using Bolts(5) and Washer Rings(6) with Allen Key(4).

Step 5

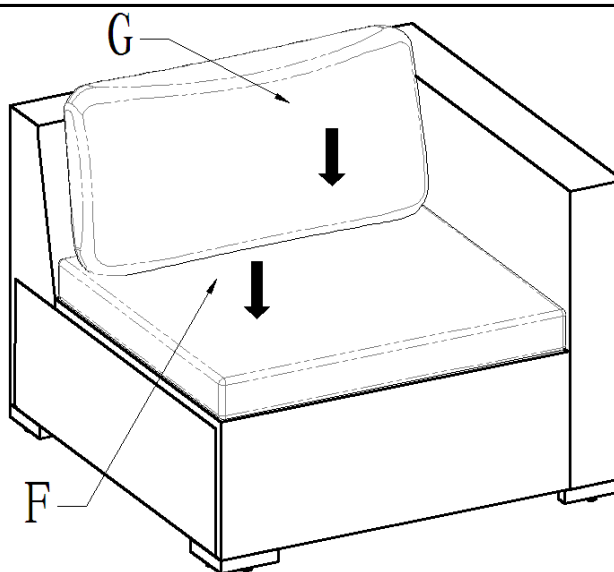


Turn the Right Armrest right side up.  
Place the Right Armrest on a LEVEL SURFACE.  
Inspect it and make sure all parts are adequately connected.  
Gently and gracefully, sit into to the Right Armrest.  
This would help to align all the parts at all the joint areas.  
Then get off the Right Armrest, and in a sequential manner, proceed to tighten all bolts.

**When tightening the Bolts, tighten sequentially.**  
**DO NOT tighten any Bolt fully and then move on to the next one.**  
**This may cause the frame to warp.**  
**If there is still wobbles, loosen the bolts and execute this same process.**  
**If the Right Armrest is not stable it could lead to damage to the product.**





















**Note: This step is done better with the assistance of a second adult.**

Step 6



Place the Back Cushion(G)and Seat Cushion(F) onto the Right Armchair as shown.  
Your Right Armchair is ready for use.  
Caution:This Right Armrest can only be used on a flat, level surface.

## Care & Maintenance

-   Do not put hot items directly on furniture surface
  -   Do not clean furniture with harsh cleansers or polish.
  -   To obtain the longest lifespan of your outdoor products, minimizing exposure to direct sunlight is recommended.
  -   Children should not climb or jump on the furniture.
  -   Do not write on furniture without a padded barrier to protect the surface.
  -   To obtain the longest lifespan of your outdoor products, avoid extended and lengthy exposure to rain, snow, and direct sunshine. Whenever possible cover the product and /or place under patio or awnings.
  -   Not for commercial use. For residential use only .
  -   Stains may be removed with mild soap solution and damp cloth.
  -   Keep away from sources of ignition.
- 
-   Dust and pick-up spills using a clean, non-colored, lint-free cloth .

## Questions & Answers about Proposition 65

### • What is Proposition 65?

Proposition 65 requires businesses to provide warnings to Californians about significant exposures to chemicals that cause cancer, birth defects or other reproductive harm. These chemicals can be in the products that Californians purchase, in their homes or workplaces, or that are released into the environment. By requiring that this information be provided, Proposition 65 enables Californians to make informed decisions about their exposures to these chemicals.

Proposition 65 also prohibits California businesses from knowingly discharging significant amounts of listed chemicals into sources of drinking water.

Proposition 65 requires California to publish a list of chemicals known to cause cancer, birth defects or other reproductive harm. This list, which must be updated at least once a year, has grown to include approximately 900 chemicals since it was first published in 1987.

### • What types of chemicals are on the Proposition 65 list?

The list contains a wide range of naturally occurring and synthetic chemicals that include additives or ingredients in pesticides, common household products, food, drugs, dyes, or solvents. Listed chemicals may also be used in manufacturing and construction, or they may be byproducts of chemical processes, such as motor vehicle exhaust.

### • What does a warning mean?

If a warning is placed on a product label or posted or distributed at a workplace, a business, or in rental housing, the business issuing the warning is aware or believes that it is exposing individuals to one or more listed chemicals.

By law, a warning must be given for listed chemicals unless the exposure is low enough to pose no significant risk of cancer or is significantly below levels observed to cause birth defects or other reproductive harm.

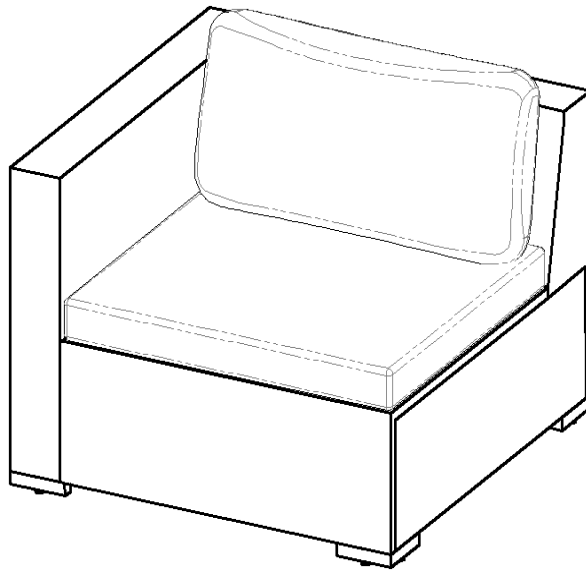
### • Where can I get more information on Proposition 65?

If you have specific questions on the administration or implementation of Proposition 65, you can contact OEHHA's Proposition 65 program at [P65.Questions@oehha.ca.gov](mailto:P65.Questions@oehha.ca.gov), or by phone at (916) 445-6900.

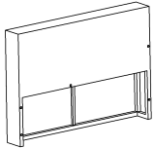
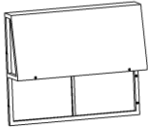
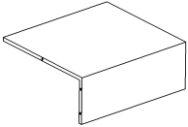
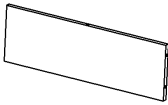
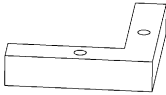


# Assembly Instructions

Caution: You must read this before you proceed

## LEFT ARMCHAIR



### Parts List

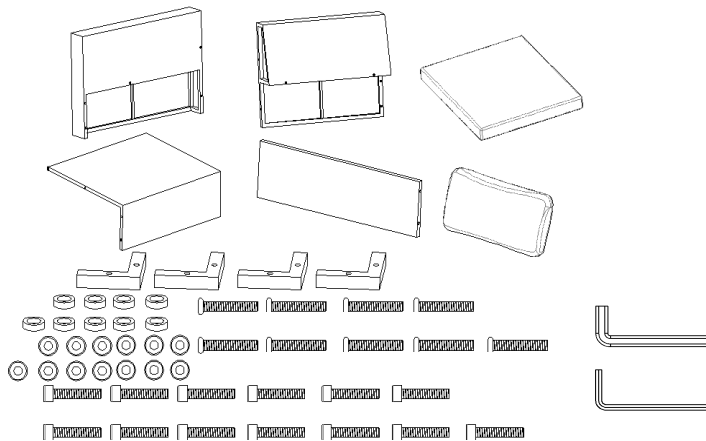
Label	Picture	Description	QTY
H		Left Armrest	1
I		Back	1
J		Seat	1
D		Side Plate	1
E		Foot	4
F		Seat Cushion	1
G		Back Cushion	1

# Hardware

Label	Picture	Description	QTY
①		Allen Key (M6)	1
②		Bolt (M6*45mm)	13
③		Washer	13
④		Allen Key (M4)	1
⑤		Bolt (M6*45mm)	9
⑥		Washer Ring	9

## Assembly Preparation

Before Beginning Assembly:



- Read instructions, cover to cover-



- Have 2 adults on hand for assembly-



- Do not assemble on flooring or carpet-



- Assemble on a clean non-marring surface (packing foam)-

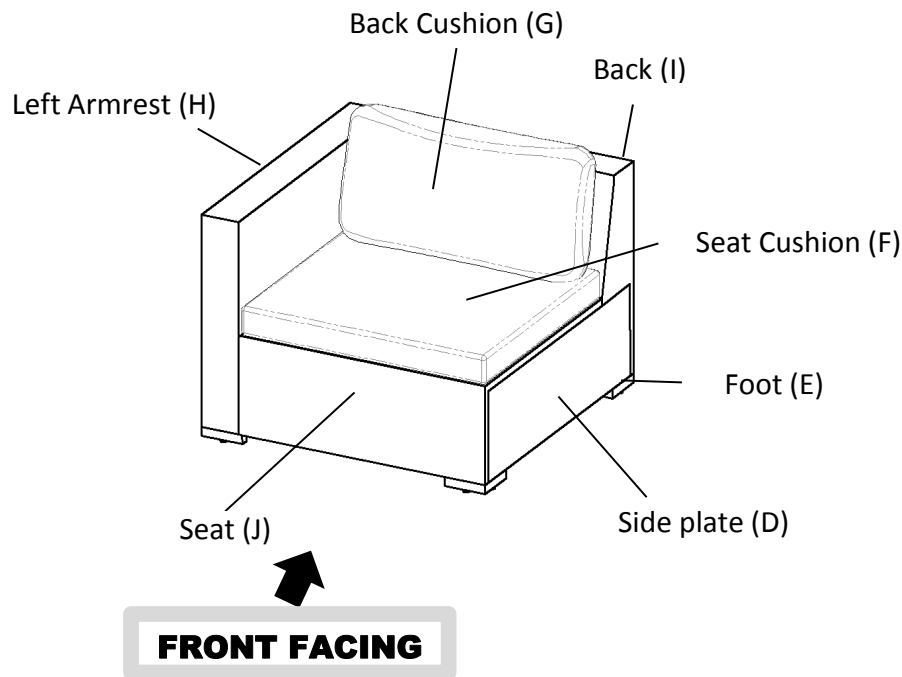


- Save all packaging until finished-



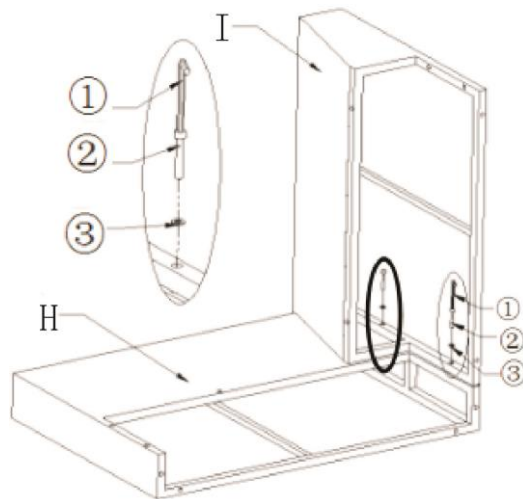
# Assembly Steps

## Overview



This Left Armchair has multiple parts and may require up to 30 minutes to assemble. To give you an overview of the Left Armchair parts, the above picture is to help you put the various parts into perspective. Please read through the instructions below to familiarise yourself with the parts and steps before assembly.

## Step 1



Open the carton and place all the parts onto a clean, non-marring surface.

Place the Left Armrest(H) with its inside facing up.

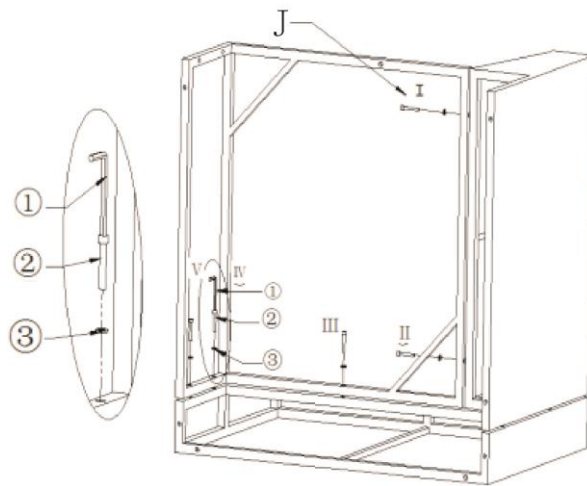
Attach Chair Back(I) to the corresponding point in Left Amrest(H) using Bolt(②) and Washer(③) with Allen Key(①) as shown above.

**Do not fully tighten.**

**ATTENTION: There may be some PE wicker that may have covered the Mounting Points. To ease assembly, guide and slide the PE wicker away from these Mounting Points.**

**DO NOT CUT AWAY ANY PE WICKER as this would cause the wicker to unravel!**

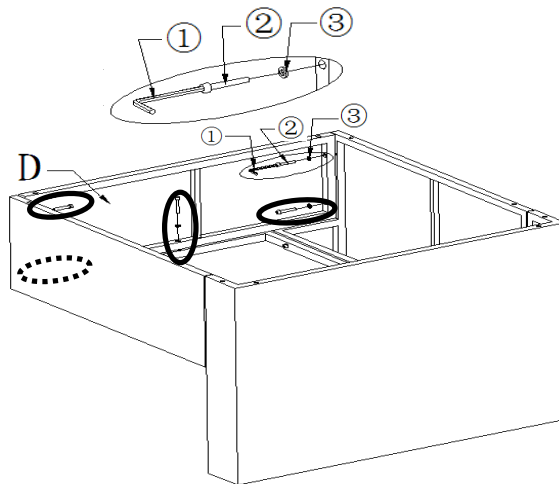
## Step 2



Attach Seat(J) between the Left Armrest(H) and Back(I) using Bolt(2) and Washer(3) with Allen Key(1) from position # I to # V as shown above.

**Do not fully tighten.**

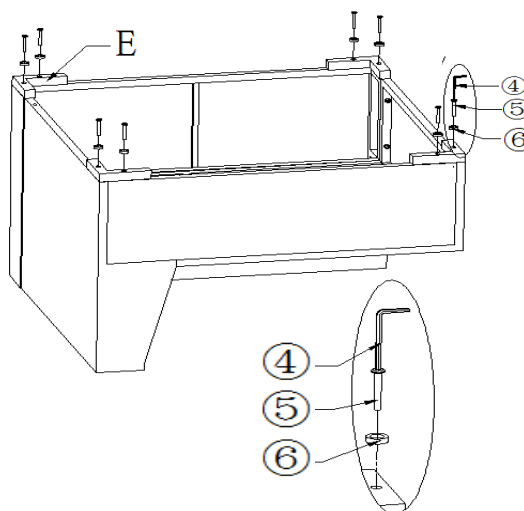
## Step 3



Attach Side Plate(D) between the Back(I) and Seat(J) using Bolt(2) and Washer(3) with Allen Key(1) as shown above.

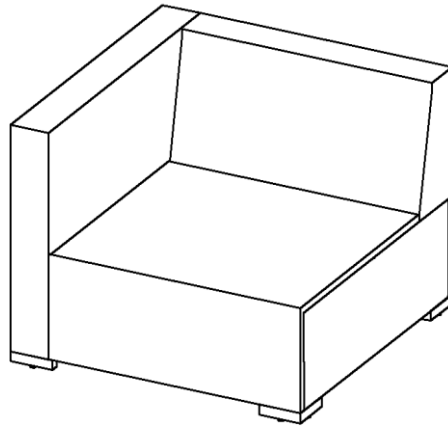
**Do not fully tighten.**

## Step 4



Attach the Foot(E) to the Chair using Bolts(5) and Washer Rings(6) with Allen Key(4).

## Step 5

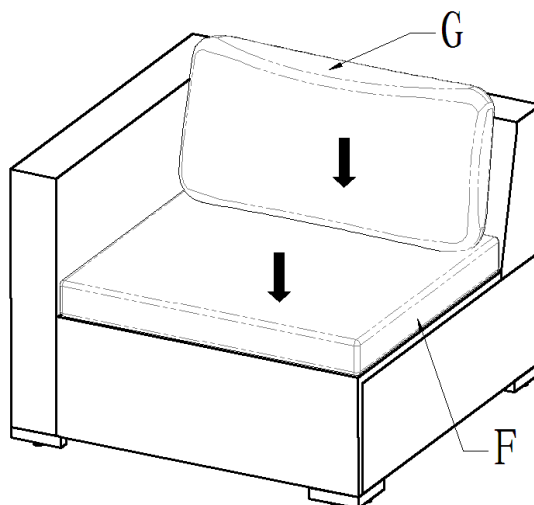


Turn the Left Armchair right side up.  
Place the Left Armchair on a **LEVEL SURFACE**.  
Inspect it and make sure all parts are adequately connected.  
Gently and gracefully, sit into to the Left Armchair.  
This would help to align all the parts at all the joint areas.  
Then get off the Left Armchair, and in a sequential manner, proceed to tighten all bolts.

**When tightening the Bolts, tighten sequentially.**  
**DO NOT** tighten any Bolt fully and then move on to the next one.  
**This may cause the frame to warp.**  
**If there is still wobbles, loosen the bolts and execute this same process.**  
**If the Left Armchair is not stable it could lead to damage to the product.**





















**Note: This step is done better with the assistance of a second adult.**

## Step 6



Place the Back Cushion(G)and Seat Cushion(F) onto the Left Armchair as shown.  
Your Left Armchair is ready for use.  
Caution:This Left Armchair can only be used on a flat, level surface.

## Care & Maintenance

-   Do not put hot items directly on furniture surface
  -   Do not clean furniture with harsh cleansers or polish.
  -   To obtain the longest lifespan of your outdoor products, minimizing exposure to direct sunlight is recommended.
  -   Children should not climb or jump on the furniture.
  -   Do not write on furniture without a padded barrier to protect the surface.
  -   To obtain the longest lifespan of your outdoor products, avoid extended and lengthy exposure to rain, snow, and direct sunshine. Whenever possible cover the product and /or place under patio or awnings.
  -   Not for commercial use. For residential use only .
  -   Stains may be removed with mild soap solution and damp cloth.
  -   Keep away from sources of ignition.
- 
-   Dust and pick-up spills using a clean, non-colored, lint-free cloth .

### Questions & Answers about Proposition 65

#### • What is Proposition 65?

Proposition 65 requires businesses to provide warnings to Californians about significant exposures to chemicals that cause cancer, birth defects or other reproductive harm. These chemicals can be in the products that Californians purchase, in their homes or workplaces, or that are released into the environment. By requiring that this information be provided, Proposition 65 enables Californians to make informed decisions about their exposures to these chemicals.

Proposition 65 also prohibits California businesses from knowingly discharging significant amounts of listed chemicals into sources of drinking water.

Proposition 65 requires California to publish a list of chemicals known to cause cancer, birth defects or other reproductive harm. This list, which must be updated at least once a year, has grown to include approximately 900 chemicals since it was first published in 1987.

#### • What types of chemicals are on the Proposition 65 list?

The list contains a wide range of naturally occurring and synthetic chemicals that include additives or ingredients in pesticides, common household products, food, drugs, dyes, or solvents. Listed chemicals may also be used in manufacturing and construction, or they may be byproducts of chemical processes, such as motor vehicle exhaust.

#### • What does a warning mean?

If a warning is placed on a product label or posted or distributed at a workplace, a business, or in rental housing, the business issuing the warning is aware or believes that it is exposing individuals to one or more listed chemicals.

By law, a warning must be given for listed chemicals unless the exposure is low enough to pose no significant risk of cancer or is significantly below levels observed to cause birth defects or other reproductive harm.

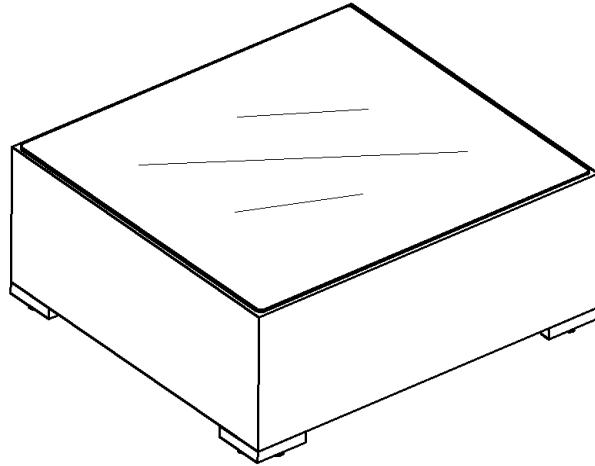
#### • Where can I get more information on Proposition 65?

If you have specific questions on the administration or implementation of Proposition 65, you can contact OEHHA's Proposition 65 program at [P65.Questions@oehha.ca.gov](mailto:P65.Questions@oehha.ca.gov), or by phone at (916) 445-6900.

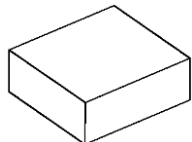
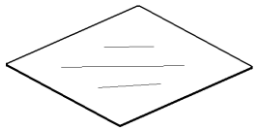
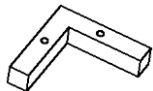
# Assembly Instructions

Caution: You must read this before you proceed




## Coffee Table



### Part List

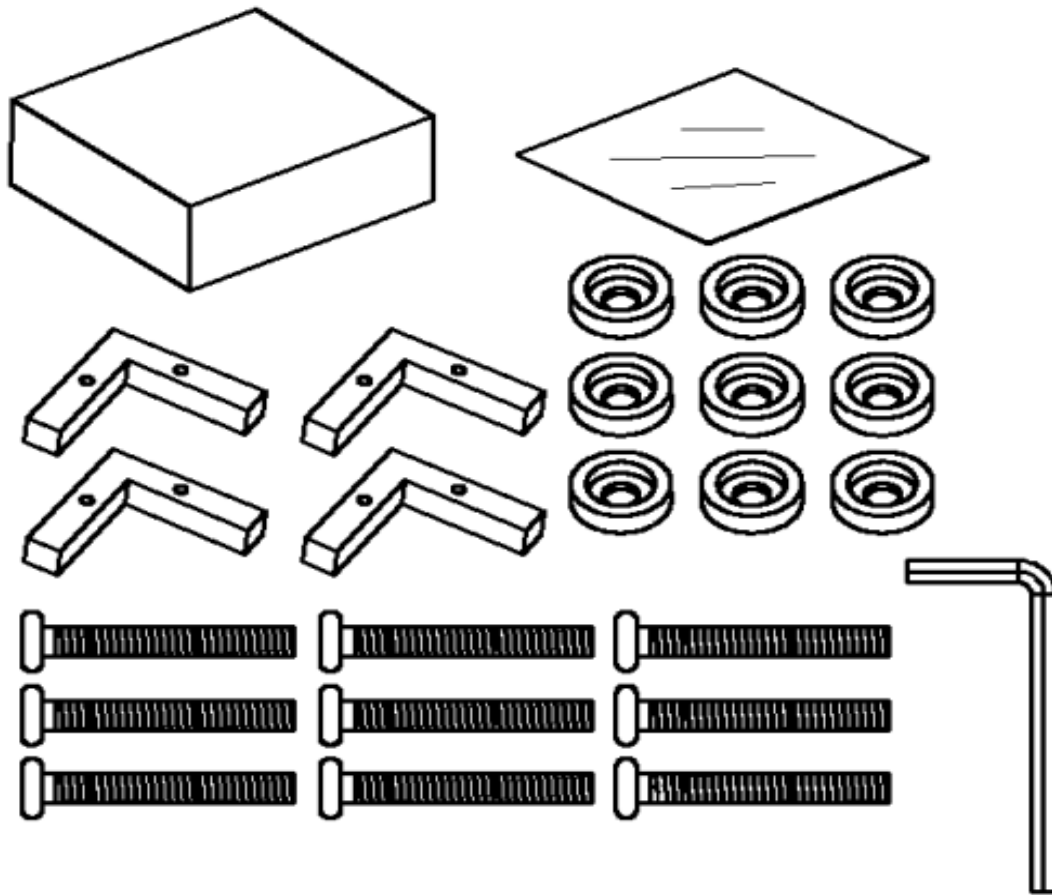
Label	Picture	Description	QTY
A		Table	1
B		Glass	1
C		Foot	4

### Hardware

Label	Picture	Description	QTY
①		Allen Key (M4)	1
②		Bolt (M6*45mm)	9
③		Washer	9

# Assembly Preparation

Before Beginning Assembly:



• Read instructions, cover to cover-



• Have 2 adults on hand for assembly-



• Do not assemble on flooring or carpet-



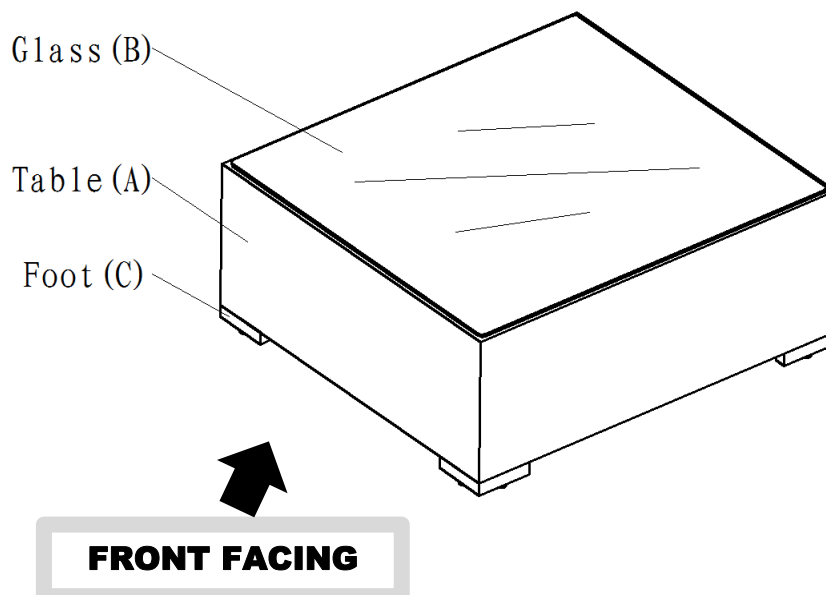
• Assemble on a clean non-marring surface (packing foam)-



• Save all packaging until finished-

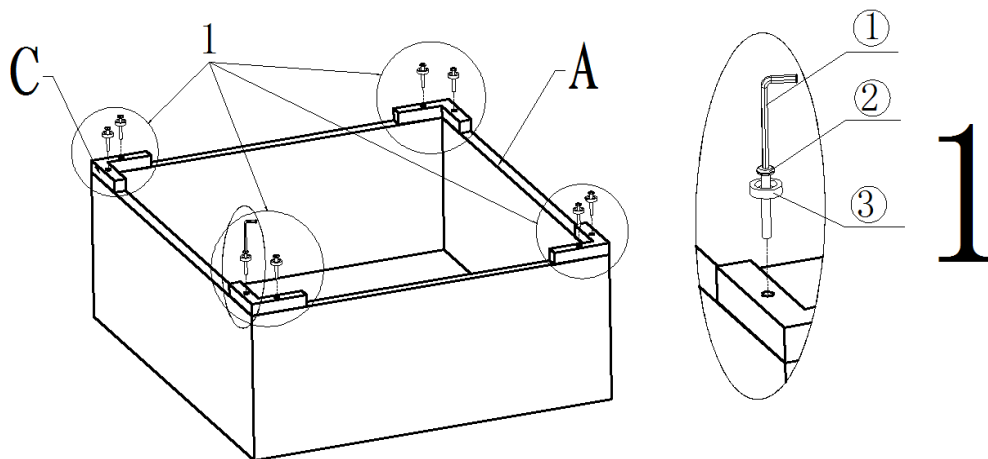
# Assembly Steps

## Overview



This Coffee Table has multiple parts and may require up to 30 minutes to assemble. To give you an overview of the Coffee Table parts, the above picture is to help you put the various parts into perspective. Please read through the instructions below to familiarise yourself with the parts and steps before assembly.

## Step 1



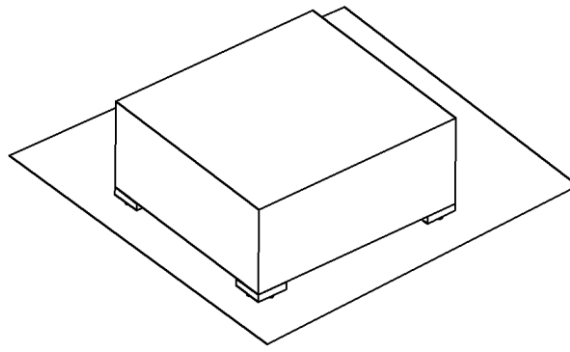
Open the carton and place all the parts onto a clean, non-marring surface. Attach Foot(C) onto the Table(A) using Bolts(②) and Washers(③) with Allen Key(①) as shown above. Repeat this step with the remaining three Feet(C).

**Do not fully tighten the Bolts.**

**ATTENTION: There may be some PE wicker that may have covered the Bolt points. To ease assembly, guide and slide the PE wicker away from the mounting positions.**

**DO NOT CUT AWAY any PE WICKER as this would cause the wicker to unravel!**

## Step 2



Stand the Coffee Table up. Place the Table on a LEVEL SURFACE to check for wobbles.

If it wobbles, lift the Table some 20mm to 30mm high from the ground.

Keep your feet and toes well away from the drop zone.

Drop the table freely and vertically with all four feet, hitting the ground, at the same time.

This Drop Test will help to ensure that all Bolts and gaps reach full alignment status.

Test again for evenness on a LEVEL SURFACE.

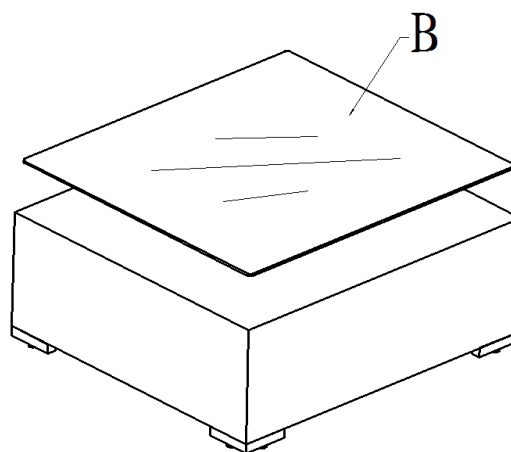
If no wobbles are found, slowly and carefully, turn the Coffee Table facedown. Then, proceed to tighten all Bolts in a sequential manner.

**When tightening the Bolts, tighten sequentially.**

**DO NOT tighten any Bolt fully and then towards the next one.**

**If there are still wobbles, loosen the Bolts and execute the same drop test.**

## Step 3























Carefully place the Glass(B) onto the Table(A) with the assistance of your adult partner.

Your Coffee Table is ready for use.

**This Coffee Table can only be used on a flat, level surface.**



## Care & Maintenance

-   ● Do not put hot items directly on furniture surface
  -   ● Do not clean furniture with harsh cleansers or polish.
  -   ● To obtain the longest lifespan of your outdoor products, minimizing exposure to direct sunlight is recommended.
  -   ● Children should not climb or jump on the furniture.
  -   ● Do not write on furniture without a padded barrier to protect the surface.
  -   ● To obtain the longest lifespan of your outdoor products, avoid extended and lengthy exposure to rain, snow, and direct sunshine. Whenever possible cover the product and /or place under patio or awnings.
  -   ● Not for commercial use. For residential use only .
  -   ● Stains may be removed with mild soap solution and damp cloth.
  -   ● Keep away from sources of ignition.
- 
-   ● Dust and pick-up spills using a clean, non-colored, lint-free cloth .