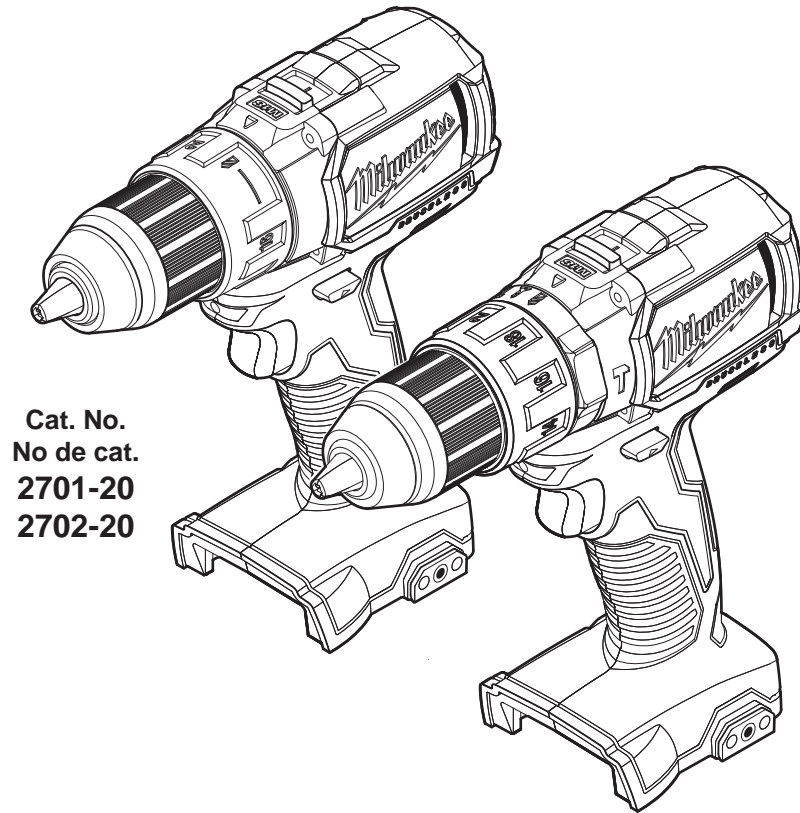




OPERATOR'S MANUAL  
MANUEL de L'UTILISATEUR  
MANUAL del OPERADOR



Cat. No.  
No de cat.  
2701-20  
2702-20

**M18™ 1/2" COMPACT BRUSHLESS DRILL/DRIVER AND  
HAMMER DRILL/DRIVER  
PERCEUSE-VISSEUSE ET PERCEUSE À PERCUSSION DE  
M18™ 13 mm (1/2")  
TALADRO DESTORNILLADOR Y TALADRO DE PERCUSIÓN  
DE 13 mm (1/2") M18™**

*TO REDUCE THE RISK OF INJURY, USER MUST READ AND UNDERSTAND OPERATOR'S MANUAL.*

*AFIN DE RÉDUIRE LE RISQUE DE BLESSURES, L'UTILISATEUR DOIT LIRE ET BIEN COMPRENDRE LE MANUEL DE L'UTILISATEUR.*

*PARA REDUCIR EL RIESGO DE LESIONES, EL USUARIO DEBE LEER Y ENTENDER EL MANUAL DEL OPERADOR.*

## GENERAL POWER TOOL SAFETY WARNINGS

**WARNING** READ ALL SAFETY WARNINGS AND ALL INSTRUCTIONS. Failure to follow the warnings and instructions may result in electric shock, fire and/or serious injury. Save all warnings and instructions for future reference. The term "power tool" in the warnings refers to your mains-operated (corded) power tool or battery-operated (cordless) power tool.

### WORK AREA SAFETY

- Keep work area clean and well lit. Cluttered or dark areas invite accidents.
- Do not operate power tools in explosive atmospheres, such as in the presence of flammable liquids, gases or dust. Power tools create sparks which may ignite the dust or fumes.
- Keep children and bystanders away while operating a power tool. Distractions can cause you to lose control.

### ELECTRICAL SAFETY

- Power tool plugs must match the outlet. Never modify the plug in any way. Do not use any adapter plugs with earthed (grounded) power tools. Unmodified plugs and matching outlets will reduce risk of electric shock.
- Avoid body contact with earthed or grounded surfaces such as pipes, radiators, ranges and refrigerators. There is an increased risk of electric shock if your body is earthed or grounded.
- Do not expose power tools to rain or wet conditions. Water entering a power tool will increase the risk of electric shock.
- Do not abuse the cord. Never use the cord for carrying, pulling or unplugging the power tool. Keep cord away from heat, oil, sharp edges or moving parts. Damaged or entangled cords increase the risk of electric shock.
- When operating a power tool outdoors, use an extension cord suitable for outdoor use. Use of a cord suitable for outdoor use reduces the risk of electric shock.
- If operating a power tool in a damp location is unavoidable, use a ground fault circuit interrupter (GFCI) protected supply. Use of an GFCI reduces the risk of electric shock.

### PERSONAL SAFETY

- Stay alert, watch what you are doing and use common sense when operating a power tool. Do not use a power tool while you are tired or under the influence of drugs, alcohol or medication. A moment of inattention while operating power tools may result in serious personal injury.
- Use personal protective equipment. Always wear eye protection. Protective equipment such as dust mask, non-skid safety shoes, hard hat, or hearing protection used for appropriate conditions will reduce personal injuries.
- Prevent unintentional starting. Ensure the switch is in the off-position before connecting to power source and/or battery pack, picking up or carrying the tool. Carrying power tools with your finger on the switch or energising power tools that have the switch on invites accidents.

- Remove any adjusting key or wrench before turning the power tool on. A wrench or a key left attached to a rotating part of the power tool may result in personal injury.
- Do not overreach. Keep proper footing and balance at all times. This enables better control of the power tool in unexpected situations.
- Dress properly. Do not wear loose clothing or jewellery. Keep your hair, clothing and gloves away from moving parts. Loose clothes, jewellery or long hair can be caught in moving parts.
- If devices are provided for the connection of dust extraction and collection facilities, ensure these are connected and properly used. Use of dust collection can reduce dust-related hazards.

### POWER TOOL USE AND CARE

- Do not force the power tool. Use the correct power tool for your application. The correct power tool will do the job better and safer at the rate for which it was designed.
- Do not use the power tool if the switch does not turn it on and off. Any power tool that cannot be controlled with the switch is dangerous and must be repaired.
- Disconnect the plug from the power source and/or the battery pack from the power tool before making any adjustments, changing accessories, or storing power tools. Such preventive safety measures reduce the risk of starting the power tool accidentally.
- Store idle power tools out of the reach of children and do not allow persons unfamiliar with the power tool or these instructions to operate the power tool. Power tools are dangerous in the hands of untrained users.
- Maintain power tools. Check for misalignment or binding of moving parts, breakage of parts and any other condition that may affect the power tool's operation. If damaged, have the power tool repaired before use. Many accidents are caused by poorly maintained power tools.
- Keep cutting tools sharp and clean. Properly maintained cutting tools with sharp cutting edges are less likely to bind and are easier to control.
- Use the power tool, accessories and tool bits etc. in accordance with these instructions, taking into account the working conditions and the work to be performed. Use of the power tool for operations different from those intended could result in a hazardous situation.

### BATTERY TOOL USE AND CARE

- Recharge only with the charger specified by the manufacturer. A charger that is suitable for one type of battery pack may create a risk of fire when used with another battery pack.

- Use power tools only with specifically designed battery packs. Use of any other battery packs may create a risk of injury and fire.
- When battery pack is not in use, keep it away from other metal objects like paper clips, coins, keys, nails, screws, or other small metal objects that can make a connection from one terminal to another. Shorting the battery terminals together may cause burns or a fire.
- Under abusive conditions, liquid may be ejected from the battery; avoid contact. If contact accidentally occurs, flush with water. If liquid contacts eyes, additionally seek medical help. Liquid ejected from the battery may cause irritation or burns.

### SERVICE

- Have your power tool serviced by a qualified repair person using only identical replacement parts. This will ensure that the safety of the power tool is maintained.

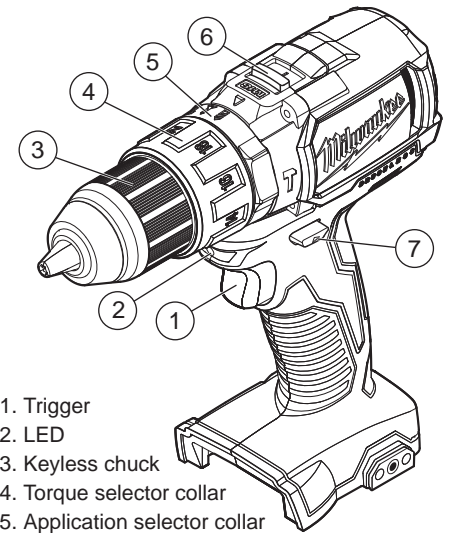
### SPECIFIC SAFETY RULES

- Wear ear protectors when impact drilling. Exposure to noise can cause hearing loss.
- Use auxiliary handle(s), if supplied with the tool. Loss of control can cause personal injury.
- Hold power tool by insulated gripping surfaces, when performing an operation where the cutting accessory may contact hidden wiring. Cutting accessory contacting a "live" wire may make exposed metal parts of the power tool "live" and could give the operator an electric shock.
- Maintain labels and nameplates. These carry important information. If unreadable or missing, contact a MILWAUKEE service facility for a free replacement.
- WARNING Some dust created by power sanding, sawing, grinding, drilling, and other construction activities contains chemicals known to cause cancer, birth defects or other reproductive harm. Some examples of these chemicals are:
  - lead from lead-based paint
  - crystalline silica from bricks and cement and other masonry products, and
  - arsenic and chromium from chemically-treated lumber.
 Your risk from these exposures varies, depending on how often you do this type of work. To reduce your exposure to these chemicals: work in a well ventilated area, and work with approved safety equipment, such as those dust masks that are specially designed to filter out microscopic particles.

## SYMBOLOLOGY

	Volts
	Direct Current
$n_0 \text{ XXXX min.}^{-1}$	No Load Revolutions per Minute (RPM)
$n \text{ XXXX min.}^{-1}$	Blows per Minute Under Load (BPM)
	Underwriters Laboratories, Inc. United States and Canada

## FUNCTIONAL DESCRIPTION



1. Trigger
2. LED
3. Keyless chuck
4. Torque selector collar
5. Application selector collar (2702-20 only)
6. Speed selector
7. Control switch

## SPECIFICATIONS

Cat. No.	Volts DC	No Load RPM	BPM	Steel	Wood				Masonry
					Flat Bit	Auger Bit	Hole Saw	Screws (dia.)	
2701-20	18	Low 0 - 450 High 0 - 1 800	-- --	1/2"	1-1/8"	1"	2-1/8"	1/4"	--
2702-20	18	Low 0 - 450 High 0 - 1 800	Low 0 - 7200 High 0 - 28,800	1/2"	1-1/8"	1"	2-1/8"	1/4"	5/8"

## ASSEMBLY

**WARNING** Recharge only with the charger specified for the battery. For specific charging instructions, read the operator's manual supplied with your charger and battery.

### Inserting/Removing the Battery

To **remove** the battery, push in the release buttons and pull the battery pack away from the tool. To **insert** the battery, slide the pack into the body of the tool. Make sure it latches securely into place.

## OPERATION

**WARNING** Always remove battery pack before changing or removing accessories. Only use accessories specifically recommended for this tool. Others may be hazardous.

**WARNING** To reduce the risk of injury, wear safety goggles or glasses with side shields.

### Installing Bits


Always remove the battery before inserting or removing bits. Select the proper style and size bit for the job.

This tool is equipped with a spindle lock. The chuck can be tightened with one hand, creating higher grip strengths on the bit.

- To open the chuck jaws, turn the sleeve in the counterclockwise direction. When using drill bits, allow the bit to strike the bottom of the chuck. Center the bit in the chuck jaws and lift it about 1/16" off of the bottom. When using screwdriver bits, insert the bit far enough for the chuck jaws to grip the hex of the bit.
- To close the chuck jaws, turn the sleeve in the clockwise direction. The bit is secure when the chuck makes a ratcheting sound and the sleeve can not be rotated any further.
- To remove the bit, turn the sleeve in the counterclockwise direction.

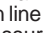
**NOTE:** A ratcheting sound may be heard when the chuck is opened or closed. This noise is part of the locking feature, and does not indicate a problem with the chuck's operation.

### Selecting Drill or Drive Action (Cat. No. 2701-20)

- To use the **drilling mode**, rotate the torque selector collar until the drill symbol  appears in line with the arrow.
- To use the **driving mode**, rotate the torque selector collar until the desired clutch setting appears in line with the arrow. The adjustable clutch, when properly adjusted, will slip at a preset torque to prevent driving the screw too deep into different materials and to prevent damage to the screw or tool.

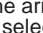


### Selecting Hammer, Drill or Drive Action (Cat. No. 2702-20)

- To use the **hammer-drilling mode**, rotate the application selector collar until the hammer symbol  appears in line with the arrow. Apply pressure to the bit to engage the hammering mechanism.


**NOTE:** The number selected on the torque selector collar has no effect on operation of the drill in hammer mode.

**NOTE:** When using carbide bits, do not use water to settle dust. Do not attempt to drill through steel reinforcing rods. This will damage the carbide bits.

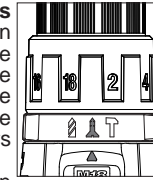
- To use the **drilling only mode**, rotate the application selector collar until the drill symbol  appears in line with the arrow.

**NOTE:** The number selected on the torque selector collar has no effect on operation of the drill in drilling mode.



- To use the **driving screws mode**, rotate the application selector collar until the drive symbol  appears in line with the arrow. Then rotate the torque selector collar until the desired clutch setting appears in line with the arrow.

The adjustable clutch, when properly adjusted, will slip at a preset torque to prevent driving the screw too deep into different materials and to prevent damage to the screw or tool.



The torque specifications shown here are approximate values obtained with a fully charged battery pack.

Cat. No. 2701-20		
Clutch Setting	in. lbs	Applications
1-3	25-28	Small screws in softwood.
4-6	29-34	Medium screws in softwood or small screws in hardwood.
7-9	36-39	
10-13	40-44	Large screws in softwoods. Medium screws in hardwood or large screws in hardwood with pilot hole.
14-16	46-50	

Cat. No. 2702-20		
Clutch Setting	in. lbs	Applications
1-3	25-28	Small screws in softwood.
4-6	29-34	
7-9	36-39	Medium screws in softwood or small screws in hardwood.
10-13	40-44	
14-17	46-51	Large screws in softwoods. Medium screws in hardwood or large screws in hardwood with pilot hole.
18	53	

**NOTE:** Because the settings shown in the table are only a guide, use a piece of scrap material to test the different clutch settings before driving screws into the workpiece.

### Selecting Speed

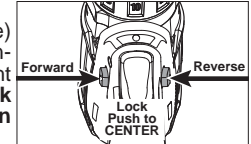
The speed selector is on top of the motor housing. Allow the tool to come to a complete stop before changing speeds. See "Applications" for recommended speeds under various conditions.

- For **Low** speed, push the speed selector to display "1".
- For **High** speed, push the speed selector to display "2".

### Using the Control Switch

The control switch may be set to three positions: forward, reverse and lock. Due to a lockout mechanism, the control switch can only be adjusted when the ON/OFF switch is not pressed. Always allow the motor to come to a complete stop before using the control switch.

For **forward** (clockwise) rotation, push in the control switch from the right side of the tool. **Check the direction of rotation before use.**



For **reverse** (counterclockwise) rotation, push in the control switch from the left side of the tool. **Check direction of rotation before use.**

To **lock** the trigger, push the control switch to the center position. The trigger will not work while the control switch is in the center locked position. Always lock the trigger or remove the battery pack before performing maintenance, changing accessories, storing the tool and any time the tool is not in use.

**WARNING** To reduce the risk of injury, always hold or brace securely.

### Starting, Stopping and Controlling Speed

- To **start** the tool, grasp the handles firmly and pull the trigger. **NOTE:** An LED is turned on when the trigger is pulled.
- To **vary** the speed, increase or decrease the pressure on the trigger. The further the trigger is pulled, the greater the speed.
- To **stop** the tool, release the trigger. Make sure the bit comes to a complete stop before laying the tool down.

### Drilling

Place the bit on the work surface and apply firm pressure before starting. Too much pressure will slow the bit and reduce drilling efficiency. Too little pressure will cause the bit to slide over the work area and dull the point of the bit.


If the tool begins to stall, reduce pressure slightly to allow the bit to regain speed. If the bit binds, reverse the motor to free the bit from the workpiece.



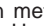
## APPLICATIONS

**⚠ WARNING** To reduce the risk of electric shock, check work area for hidden pipes and wires before drilling or driving screws.


### Drilling in Wood, Composition Materials and Plastic

When drilling in wood, composition materials and plastic, select the  drill-only operating mode. Start the drill slowly, gradually increasing speed as you drill. When drilling into wood, use wood augers or twist drill bits. Always use sharp bits. When using twist drill bits, pull the bit out of the hole frequently to clear chips from the bit flutes. To reduce the chance of splintering, back work with a piece of scrap wood. Select low speeds for plastics with a low melting point.


### Drilling in Metal

When drilling in metal, select the  drill-only operating mode. Use high speed steel twist drills or hole saws. Use a center punch to start the hole. Lubricate drill bits with cutting oil when drilling in iron or steel. Use a coolant when drilling in nonferrous metals such as copper, brass or aluminum. Back the material to prevent binding and distortion on breakthrough.

### Drilling in Masonry

When drilling in masonry, select the  hammer drill operating mode. Use high speed carbide-tipped bits. Drilling soft masonry materials such as cinder block requires little pressure. Hard materials like concrete require more pressure. A smooth, even flow of dust indicates the proper drilling rate. Do not let the bit spin in the hole without cutting. Do not use water to settle dust or to cool bit. Both actions will damage the carbide.

### Driving Screws and Nut Running

Drill a pilot hole when driving screws into thick or hard materials. Select the  driving screws mode. Set the torque selector collar to the proper position and set the speed to low. Use the proper style and size screwdriver bit for the type of screw you are using. With the screwdriver bit in the screw, place the tip of the screw on the workpiece and apply firm pressure before pulling the trigger. Screws can be removed by reversing the motor.

### Overloading

Continuous overloading may cause permanent damage to tool or battery pack.

## MAINTENANCE

**⚠ WARNING** To reduce the risk of injury, always unplug the charger and remove the battery pack from the charger or tool before performing any maintenance. Never disassemble the tool, battery pack or charger. Contact a MILWAUKEE service facility for ALL repairs.

### Maintaining Tool

Keep your tool, battery pack and charger in good repair by adopting a regular maintenance program. After six months to one year, depending on use, return the tool, battery pack and charger to A MILWAUKEE service facility for:

- Lubrication
- Mechanical inspection and cleaning (gears, spindles, bearings, housing, etc.)
- Electrical inspection (battery pack, charger, motor)
- Testing to assure proper mechanical and electrical operation

If the tool does not start or operate at full power with a fully charged battery pack, clean the contacts on the battery pack. If the tool still does not work properly, return the tool, charger and battery pack, to a MILWAUKEE service facility for repairs.

**⚠ WARNING** To reduce the risk of personal injury and damage, never immerse your tool, battery pack or charger in liquid or allow a liquid to flow inside them.

### Cleaning

Clean dust and debris from charger and tool vents. Keep tool handles clean, dry and free of oil or grease. Use only mild soap and a damp cloth to clean the tool, battery pack and charger since certain cleaning agents and solvents are harmful to plastics and other insulated parts. Some of these include gasoline, turpentine, lacquer thinner, paint thinner, chlorinated cleaning solvents, ammonia and household detergents containing ammonia. Never use flammable or combustible solvents around tools.

### Repairs

For repairs, return the tool, battery pack and charger to the nearest service center.

## ACCESSORIES

**⚠ WARNING** Always remove battery pack before changing or removing accessories. Only use accessories specifically recommended for this tool. Others may be hazardous.

For a complete listing of accessories refer to your MILWAUKEE catalog or go online to [www.milwaukee.com](http://www.milwaukee.com). To obtain a catalog, contact your local distributor or service center.

## LIMITED WARRANTY - USA AND CANADA

Every MILWAUKEE power tool (including cordless product – tool, battery pack(s) - see separate & distinct CORDLESS BATTERY PACK LIMITED WARRANTY statements & battery charger and Work Lights\*) is warranted to the original purchaser only to be free from defects in material and workmanship. Subject to certain exceptions, MILWAUKEE will repair or replace any part on an electric power tool which, after examination, is determined by MILWAUKEE to be defective in material or workmanship for a period of five (5) years\* after the date of purchase unless otherwise noted. Return of the power tool to a MILWAUKEE factory Service Center location or MILWAUKEE Authorized Service Station, freight prepaid and insured, is required. A copy of the proof of purchase should be included with the return product. This warranty does not apply to damage that MILWAUKEE determines to be from repairs made or attempted by anyone other than MILWAUKEE authorized personnel, misuse, alterations, abuse, normal wear and tear, lack of maintenance, or accidents.

\*The warranty period for, Job Site Radios, M12™ Power Port, M18™ Power Source, and Trade Titan™ Industrial Work Carts is one (1) year from the date of purchase. The warranty period for a LED Work Light and LED Upgrade Bulb is a limited LIFETIME warranty to the original purchaser only, if during normal use the LED bulb fails the Work Light or Upgrade Bulb will be replaced free of charge.

\*This warranty does not cover Air Nailers & Stapler, Airless Paint Sprayer, Cordless Battery Packs, Gasoline Driven Portable Power Generators, Hand Tools, Hoist – Electric, Lever & Hand Chain, M12™ Heated Jackets, Reconditioned product and Test & Measurement products. There are separate and distinct warranties available for these products.

Warranty Registration is not necessary to obtain the applicable warranty on a MILWAUKEE power tool product. The manufacturing date of the product will be used to determine the warranty period if no proof of purchase is provided at the time warranty service is requested.

ACCEPTANCE OF THE EXCLUSIVE REPAIR AND REPLACEMENT REMEDIES DESCRIBED HEREIN IS A CONDITION OF THE CONTRACT FOR THE PURCHASE OF EVERY MILWAUKEE PRODUCT. IF YOU DO NOT AGREE TO THIS CONDITION, YOU SHOULD NOT PURCHASE THE PRODUCT. IN NO EVENT SHALL MILWAUKEE BE LIABLE FOR ANY INCIDENTAL, SPECIAL, CONSEQUENTIAL OR PUNITIVE DAMAGES, OR FOR ANY COSTS, ATTORNEY FEES, EXPENSES, LOSSES OR DELAYS ALLEGED TO BE AS A CONSEQUENCE OF ANY DAMAGE TO, FAILURE OF, OR DEFECT IN ANY PRODUCT INCLUDING, BUT NOT LIMITED TO, ANY CLAIMS FOR LOSS OF PROFITS. SOME STATES DO NOT ALLOW THE EXCLUSION OR LIMITATION OF INCIDENTAL OR CONSEQUENTIAL DAMAGES, SO THE ABOVE LIMITATION OR EXCLUSION MAY NOT APPLY TO YOU. THIS WARRANTY IS EXCLUSIVE AND IN LIEU OF ALL OTHER EXPRESS WARRANTIES, WRITTEN OR ORAL. TO THE EXTENT PERMITTED BY LAW, MILWAUKEE DISCLAIMS ANY IMPLIED WARRANTIES, INCLUDING WITHOUT LIMITATION ANY IMPLIED WARRANTY OF MERCHANTABILITY OR FITNESS FOR A PARTICULAR USE OR PURPOSE; TO THE EXTENT SUCH DISCLAIMER IS NOT PERMITTED BY LAW, SUCH IMPLIED WARRANTIES ARE LIMITED TO THE DURATION OF THE APPLICABLE EXPRESS WARRANTY AS DESCRIBED ABOVE. SOME STATES DO NOT ALLOW LIMITATIONS ON HOW LONG AN IMPLIED WARRANTY LASTS, SO THE ABOVE LIMITATION MAY NOT APPLY TO YOU, THIS WARRANTY GIVES YOU SPECIFIC LEGAL RIGHTS, AND YOU MAY ALSO HAVE OTHER RIGHTS WHICH VARY FROM STATE TO STATE. This warranty applies to product sold in the U.S.A. and Canada only.

Please consult the 'Service Center Search' in the Parts & Service section of MILWAUKEE's website [www.milwaukee.com](http://www.milwaukee.com) or call **1.800.SAWDUST (1.800.729.3878)** to locate your nearest service facility for warranty and non-warranty service on a Milwaukee electric power tool.

## LIMITED WARRANTY - MEXICO, CENTRAL AMERICA AND CARIBBEAN

TECHTRONIC INDUSTRIES' warranty is for 5 year since the original purchase date.

This warranty card covers any defect in material and workmanship on this Power Tool.

To make this warranty valid, present this warranty card, sealed/stamped by the distributor or store where you purchased the product, to the Authorized Service Center (ASC). Or, if this card has not been sealed/stamped, present the original proof of purchase to the ASC.

Call toll-free 1 800 832 1949 to find the nearest ASC, for service, parts, accessories or components.

### Procedure to make this warranty valid

Take the product to the ASC, along with the warranty card sealed/stamped by the distributor or store where you purchased the product, and there any faulty piece or component will be replaced without cost for you. We will cover all freight costs relative with this warranty process.

### Exceptions

This warranty is not valid in the following situations:

- a) When the product is used in a different manners from the end-user guide or instruction manual.
- b) When the conditions of use are not normal.
- c) When the product was modified or repaired by people not authorized by TECHTRONIC INDUSTRIES.

Note: If cord set is damaged, it should be replaced by an Authorized Service Center to avoid electric risks.

Model: \_\_\_\_\_

Date of Purchase: \_\_\_\_\_

Distributor or Store Stamp: \_\_\_\_\_

SERVICE AND ATTENTION CENTER  
Av. Presidente Mazarik 29 Piso 7, 11570 Chapultepec Morales  
Miguel Hidalgo, Distrito Federal, Mexico  
Ph. 52 55 4160-3547

IMPORTED AND COMMERCIALIZED BY:  
TECHTRONIC INDUSTRIES MEXICO, S.A. DE C.V.  
Av. Presidente Mazarik 29 Piso 7, 11570 Chapultepec Morales  
Miguel Hidalgo, Distrito Federal, Mexico

## RÈGLES DE SÉCURITÉ GÉNÉRALES RELATIVES AUX OUTILS ÉLECTRIQUES

**AVERTISSEMENT LIRE TOUTES LES RÈGLES ET INSTRUCTIONS DE SÉCURITÉ.** Ne pas suivre l'ensemble des règles et instructions peut entraîner une électrocution, un incendie ou des blessures graves. **Conserver les règles et les instructions à des fins de référence ultérieure.** Le terme «outil électrique» figurant dans les avertissements ci-dessous renvoie à l'outil électrique à alimentation par le réseau (à cordon) ou par batterie (sans fil).

### SÉCURITÉ DU LIEU DE TRAVAIL

- **Maintenir la zone de travail propre et bien éclairée.** Les zones encombrées ou mal éclairées sont favorables aux accidents.
- **Ne pas utiliser d'outil électrique dans une atmosphère explosive, telle qu'en en présence de liquides, de gaz ou de poussières inflammables.** Les outils électriques génèrent des étincelles qui peuvent enflammer les poussières ou les fumées.
- **Tenir les enfants et les personnes non autorisées à l'écart pendant le fonctionnement d'un outil électrique.** Un manque d'attention de l'opérateur risque de lui faire perdre le contrôle de l'outil.

### SÉCURITÉ ÉLECTRIQUE

- **La fiche de l'outil électrique doit correspondre à la prise d'alimentation. Ne jamais modifier la fiche d'une manière quelconque. Ne pas utiliser d'adaptateur avec les outils électriques mis à la terre (à la masse).** Des fiches non modifiées et des prises d'alimentation assorties réduisent le risque de choc électrique.
- **Éviter tout contact corporel avec des surfaces reliées à la masse ou à la terre telles que tuyaux, radiateurs, cuisinières et réfrigérateurs.** Un risque de choc électrique plus élevé existe si le corps est relié à la masse ou à la terre.
- **Ne pas exposer les outils électriques à la pluie ou à l'humidité.** Le risque de choc électrique augmente si de l'eau s'infiltre dans un outil électrique.
- **Prendre soin du cordon. Ne jamais utiliser le cordon pour transporter, tirer ou débrancher l'outil électrique.** Tenir le cordon à l'écart de la chaleur, des huiles, des arêtes coupantes ou des pièces en mouvement. Un cordon endommagé ou emmêlé présente un risque accru de choc électrique.
- **Se procurer un cordon d'alimentation approprié en cas d'utilisation d'un outil électrique à l'extérieur.** L'utilisation d'un cordon d'alimentation pour usage extérieur réduit le risque de choc électrique.
- **S'il est nécessaire d'utiliser l'outil électrique dans un endroit humide, installer un disjoncteur différentiel (GFCI).** L'utilisation d'un GFCI réduit le risque de décharge électrique.

### SÉCURITÉ INDIVIDUELLE

- **Être sur ses gardes, être attentif et faire preuve de bon sens en utilisant un outil électrique. Ne pas utiliser un outil électrique en cas de fatigue ou sous l'influence de drogues, d'alcool ou de médicaments.** Un instant d'inattention lors de l'utilisation d'un outil électrique peut entraîner des blessures graves.

- **Porter l'équipement de protection requis. Toujours porter une protection oculaire.** Selon les conditions, porter aussi un masque anti-poussières, des bottes de sécurité antidérapantes, un casque protecteur ou une protection auditive afin de réduire les blessures.
- **Empêcher les démarrages accidentels. S'assurer que la gâchette est en position d'arrêt avant de brancher l'outil à une source de courant, d'insérer la batterie, de le ramasser ou de le transporter.** Le fait de transporter l'outil en gardant le doigt sur la gâchette ou de le brancher lorsque la gâchette est en position de marche favorise les accidents.
- **Retirer toute clé de réglage avant de mettre l'outil sous tension.** Une clé laissée attachée sur une pièce mobile de l'outil électrique peut entraîner des blessures.
- **Ne pas travailler à bout de bras. Bien garder un bon équilibre à tout instant.** Ceci permet de mieux préserver la maîtrise de l'outil électrique dans des situations imprévues.
- **Porter des vêtements adéquats. Ne pas porter de vêtements amples ni de bijoux. Ne pas approcher les cheveux, vêtements et gants des pièces en mouvement.** Les vêtements amples, les bijoux ou les cheveux longs risquent d'être happés par les pièces en mouvement.
- **Si des dispositifs sont prévus pour l'extraction et la récupération des poussières, vérifier qu'ils sont connectés et utilisés correctement.** L'utilisation de ces dispositifs peut réduire les risques liés aux poussières.

### UTILISATION ET ENTRETIEN DE L'OUTIL ÉLECTRIQUE

- **Ne pas forcer l'outil électrique. Utiliser l'outil électrique approprié à l'application considérée.** L'outil électrique adapté au projet considéré produira de meilleurs résultats, dans des conditions de sécurité meilleures, à la vitesse pour laquelle il a été conçu.
- **Ne pas utiliser l'outil électrique si le commutateur ne le met pas sous ou hors tension.** Tout outil électrique dont le commutateur de marche-arrêt est inopérant est dangereux et doit être réparé.
- **Débrancher la fiche de la prise d'alimentation et/ou la batterie de l'outil électrique avant d'effectuer des réglages, de changer d'accessoires ou de ranger l'outil.** De telles mesures de sécurité préventive réduisent le risque de mettre l'outil en marche accidentellement.
- **Ranger les outils électriques inutilisés hors de la portée des enfants et ne pas laisser des personnes qui connaissent mal les outils électriques ou ces instructions utiliser ces outils.** Les

outils électriques sont dangereux dans les mains d'utilisateurs non formés à leur usage.

- **Entretien des outils électriques. S'assurer de l'absence de tout désalignement ou de grippage des pièces mobiles, de toute rupture de pièce ou de toute autre condition qui pourrait affecter le bon fonctionnement de l'outil électrique. En cas de dommages, faire réparer l'outil avant de l'utiliser de nouveau.** Les outils électriques mal entretenus sont à la source de nombreux accidents.
- **Garder les outils de coupe affûtés et propres.** Les outils de coupe correctement entretenus et bien affûtés risquent moins de se gripper et sont plus faciles à manier.
- **Utiliser l'outil électrique, les accessoires, les grains etc. conformément à ces instructions en tenant compte des conditions de travail et de la tâche à effectuer.** L'utilisation de cet outil électrique pour effectuer une opération pour laquelle il n'est pas conçu peut occasionner une situation dangereuse.

### UTILISATION ET ENTRETIEN DE LA BATTERIE

- **Ne recharger la batterie qu'avec le chargeur spécifié par le fabricant.** Un chargeur qui convient à un type de batterie peut créer un risque d'incendie s'il est utilisé avec un autre type de batterie.
- **N'utiliser les outils électriques qu'avec les batteries spécialement conçues pour eux.** L'utilisation de batteries d'autres marques peut créer un risque de blessure et d'incendie.
- **Lorsque la batterie est hors service, la ranger à l'écart d'autres objets métalliques tels que trombones, pièces de monnaie, clés, clous, vis et autres petits objets métalliques qui peuvent établir une connexion d'une borne à l'autre.** Un court-circuit aux bornes de la batterie peut provoquer des brûlures ou un incendie.
- **Du liquide peut être éjecté de la batterie en cas de manutention abusive ; éviter tout contact. En cas de contact accidentel avec les projections, rincer à l'eau. En cas de contact avec les yeux, consulter un médecin.** Le liquide s'échappant de la batterie peut provoquer des irritations ou des brûlures.

### ENTRETIEN

- **Faire effectuer l'entretien de l'outil électrique par un technicien qualifié qui n'utilisera que des pièces de rechange identiques.** La sécurité d'utilisation de l'outil en sera préservée.

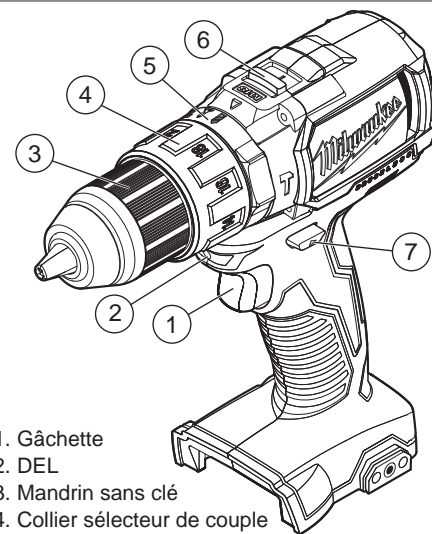
### RÈGLES DE SÉCURITÉ SPÉCIFIQUES

- **Porter des protège-oreilles avec un marteau perforateur.** Une exposition au bruit peut provoquer une perte auditive.
- **Utiliser les poignées auxiliaires fournies avec l'outil.** Une perte de contrôle peut provoquer des blessures.
- **Tenir l'outil par les surfaces de prise isolées si, au cours des travaux, l'outil de coupe risque d'entrer en contact avec des fils cachés.** Le contact avec un fil sous tension met les parties

métalliques exposées de l'outil sous tension, ce qui infligera un choc électrique à l'opérateur.

- **Maintenir en l'état les étiquettes et les plaques d'identification.** Des informations importantes y figurent. Si elles sont illisibles ou manquantes, contacter un centre de services et d'entretien MILWAUKEE pour un remplacement gratuit.
- **AVERTISSEMENT!** Certaines poussières générées par les activités de ponçage, de coupe, de rectification, de perçage et d'autres activités de construction contiennent des substances considérées être la cause de malformations congénitales et de troubles de l'appareil reproducteur. Parmi ces substances figurent:
  - le plomb contenu dans les peintures à base de plomb;
  - la silice cristalline des briques, du ciment et d'autres matériaux de maçonnerie, ainsi que
  - l'arsenic et le chrome des sciages traités chimiquement.Les risques encourus par l'opérateur envers ces expositions varient en fonction de la fréquence de ce type de travail. Pour réduire l'exposition à ces substances chimiques, l'opérateur doit: travailler dans une zone bien ventilée et porter l'équipement de sécurité approprié, tel qu'un masque anti-poussière spécialement conçu pour filtrer les particules microscopiques.

### DESCRIPTION FONCTIONNELLE



1. Gâchette
2. DEL
3. Mandrin sans clé
4. Collier sélecteur de couple
5. Collier de sélection de l'application (2702-20 seul)
6. Sélecteur de vitesse
7. Commutateur de commande



## SPECIFICATIONS

No de Cat.	Volts CD	Tr/min. à vide	BPM	Acier	Bois				Maçonnerie
					Mèche plate	Mèche hélicoïdale	Scie-cloche	Vis (diam.)	
2701-20	18	Basse 0-450 Haute 0-1 800	--	13 mm (1/2")	29 mm (1-1/8")	25 mm (1")	54 mm (2-1/8")	6 mm (1/4")	--
2702-20	18	Basse 0-450 Haute 0-1 800	Basse 0-7 200 Haute 0-28 800	13 mm (1/2")	29 mm (1-1/8")	25 mm (1")	54 mm (2-1/8")	6 mm (1/4")	16 mm (5/8")

## PICTOGRAPHIE

	Volts
	Tension CD seul.
$n_0 \text{ XXXX min.}^{-1}$	Tours-minute à vide (RPM)
$n \text{ XXXX min.}^{-1}$	Impacts par minute à charge (BPM)
	Underwriters Laboratories, Inc. États-Unis et Canada

## MONTAGE DE L'OUTIL

**AVERTISSEMENT** Ne recharger la batterie qu'avec le chargeur spécifié. Pour les instructions de charge spécifiques, lire le manuel d'utilisation fourni avec le chargeur et les batteries.

### Insertion/Retrait de la batterie

Pour **retirer** la batterie, enfoncer les boutons de déverrouillage et la tirer hors de l'outil. Pour **insérer** la batterie, la glisser dans le corps de l'outil. S'assurer qu'elle est fixée solidement.

## MANIEMENT

**AVERTISSEMENT** Il faut toujours retirer la batterie et verrouiller la détente de l'outil avant de changer ou d'enlever les accessoires. L'emploi d'accessoires autres que ceux qui sont expressément recommandés pour cet outil peut comporter des risques.

**AVERTISSEMENT** Pour minimiser les risques de blessures, portez des lunettes à coques latérales.

### Utilisation de mandrins sans clé

Votre outil sans fil est équipé d'un verrouillage de broche. Le mandrin peut être serré avec une seule main, ce qui accroît la force de saisie sur le foret ou la mèche.

Retirez toujours la pile ou verrouillez la gâchette avant de monter ou retirer un accessoire de l'outil.

1. Pour ouvrir les mors du mandrin, tournez le manchon dans le sens antihoraire.

Pour monter un foret, engagez-le à fond dans le mandrin. Centrez le foret dans les mâchoires du

mandrin et levez-le à environ 2 mm (1/16") du fond. Lors de l'utilisation d'embouts de tournevis, insérez l'embout suffisamment loin pour que les mâchoires du mandrin saisissent la portion hexagonale de l'embout.

2. Pour fermer les mors du mandrin, tournez le manchon dans le sens horaire. L'embout est fixé solidement lorsque le mandrin fait un bruit de cliquetis et que le manchon ne peut plus pivoter.
3. Pour enlever l'embout, tournez le manchon dans le sens antihoraire.

**N.B. :** Un bruit de cliquetis est normal lors de l'ouverture ou de la fermeture du mandrin. Ce bruit fait partie de la fonction de verrouillage et n'indique aucun problème de fonctionnement du mandrin.

### Sélection du mode perçage ou vissage (No de Cat. 2701-20)

1. Pour utiliser le mode perçage uniquement, faire tourner le collier de sélection jusqu'à ce que le symbole perforateur apparaisse en ligne avec la flèche.
2. Pour utiliser le mode tournevis, faire tourner le collier de sélection de couple jusqu'à ce que le réglage désiré soit aligné avec la flèche.

Bien réglé, l'embrayage réglable glisse à un couple pré-réglé pour éviter de visser trop profondément dans différents matériaux et pour éviter d'endommager la vis ou l'outil.

### Sélection du mode percussion, perçage ou vissage (No de Cat. 2702-20)

1. Pour utiliser le mode marteau-perçage, faire tourner le collier de sélection jusqu'à ce que le symbole marteau apparaisse en ligne avec la flèche. Puis faire tourner le collier de sélection de couple jusqu'à ce que le symbole perforateur soit aligné avec la flèche. Exercer une pression sur la mèche pour enclencher le mécanisme de martelage.

**N.B. :** Le chiffre sélectionné sur la bague de réglage du couple n'a aucun effet sur le fonctionnement de la perceuse tournevis en mode perçage.

**N.B. :** Lors de l'utilisation de mèches en carbure, ne pas utiliser d'eau pour éliminer la poussière. Ne pas tenter de percer des tiges de renforcement en acier. Ceci endommagerait les mèches en carbure.

2. Pour utiliser le mode perçage uniquement, faire tourner le collier de sélection jusqu'à ce que le symbole perforateur apparaisse en ligne avec la flèche.

**N.B. :** Le chiffre sélectionné sur la bague de réglage du couple n'a aucun effet sur le fonctionnement de la perceuse tournevis en mode perçage.

3. Pour utiliser le mode tournevis, faire tourner le collier de sélection d'application jusqu'à ce que le symbole tournevis s'aligne avec la flèche. Puis faire tourner le collier de sélection de couple jusqu'à ce que le réglage désiré soit aligné avec la flèche.

Bien réglé, l'embrayage réglable glisse à un couple pré-réglé pour éviter de visser trop profondément dans différents matériaux et pour éviter d'endommager la vis ou l'outil.

Les spécifications de couple indiquées ici sont approximatives.

No de Cat. 2701-20		
Réglage de l'accouplement	(N•m)	Applications
1-3	2,8-3,2	Petites vis dans le bois mou.
4-6	3,3-3,8	Vis moyennes dans le bois mou ou petites vis dans le bois dur.
7-9	4,0-4,4	
10-13	4,5-5,0	Grosses vis dans le bois mou. Vis moyennes dans le bois dur ou grosses vis dans le bois dur avec trou-guide.
14-16	5,2-5,6	

No de Cat. 2702-20		
Réglage de l'accouplement	(N•m)	Applications
1-3	2,8-3,2	Petites vis dans le bois mou.
4-6	3,3-3,8	Vis moyennes dans le bois mou ou petites vis dans le bois dur.
7-9	4,0-4,4	
10-13	4,5-5,0	Grosses vis dans le bois mou. Vis moyennes dans le bois dur ou grosses vis dans le bois dur avec trou-guide.
14-17	5,2-5,8	
18	6,0	

**N.B. :** Utiliser un déchet de matériau pour tester les différentes positions d'embrayage avant de visser dans la pièce de travail.

### Sélection de la vitesse

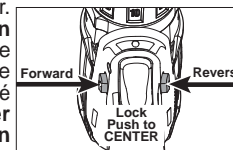
Le sélecteur de vitesse est au-dessus du carter du moteur. Laisser l'outil s'arrêter complètement avant de changer de vitesse. Voir « Applications » pour les vitesses recommandées dans diverses conditions.

1. Pour la vitesse Low [Basse], tirer le sélecteur de vitesse en arrière pour afficher « 1 ».
2. Pour la vitesse High [Haute], pousser le sélecteur de vitesse en avant pour afficher « 2 ».

### Marche, arrêt et contrôle de la vitesse

**Utilisation du commutateur**  
Le commutateur peut être réglé sur trois positions: marche avant, marche arrière et verrouillée. En raison d'un mécanisme de verrouillage, le commutateur ne peut être réglé que lorsque la commande MARCHE/ARRÊT n'est pas enfoncée. Toujours laisser le moteur s'arrêter complètement avant d'utiliser le commutateur.

Pour une rotation **en marche avant** (dans le sens horaire), pousser le commutateur sur le côté droit de l'outil. **VÉRIFIER la direction de rotation avant utilisation.**



Pour une rotation **en marche arrière** (dans le sens anti-horaire), pousser le commutateur sur le côté gauche de l'outil. **VÉRIFIER la direction de rotation avant utilisation.**

Pour **verrouiller** la détente, pousser le commutateur vers la position centrale. La détente ne fonctionne pas tant que le commutateur est sur la position verrouillée centrale. Toujours verrouiller la détente ou déposer la batterie avant d'effectuer un entretien, de changer d'accessoire, de remettre l'outil et toutes les fois que l'outil est inutilisé.

**AVERTISSEMENT** Pour minimiser les risques de blessures, tenez toujours l'outil solidement ou étayez-le fermement.

### Marche, arrêt et contrôle de la vitesse

1. Pour mettre l'outil en marche, saisir fermement la poignée et tirer sur la détente.  
**NOTE :** Une DEL s'allume lorsque la gâchette est tirée. Elle s'arrête lorsque la gâchette est relâchée.
2. Pour faire varier la vitesse, augmenter ou réduire la pression sur la détente. La vitesse augmente en fonction de la pression exercée sur la détente.
3. Pour arrêter l'outil, relâcher la détente. S'assurer que la mèche s'arrête complètement avant de poser l'outil.

### Perçage


Placez l'extrémité du foret ou de la mèche contre la surface de la pièce et appuyez fermement avant de démarrer. Une pression trop grande ralentit le foret et diminue l'efficacité du perçage. Une pression trop faible fait glisser le foret sur la surface de la pièce et émêche la pointe du foret.

Si l'outil commence à bloquer, réduisez légèrement la vitesse pour permettre au foret de reprendre de la vitesse. Si le foret se bloque, inversez le sens de rotation du moteur pour le libérer de la pièce.


## APPLICATIONS

**AVERTISSEMENT** Pour minimiser les risques d'explosion, choc électrique et dommages à la propriété, inspectez toujours l'aire de travail pour y déceler les fils électriques ou les tuyaux avant d'entreprendre le forage.


### Perçage du bois, des matériaux synthétiques et du plastique

Lorsque vous percez du bois, des matériaux synthétiques et du plastique, faire tourner le collier de sélection jusqu'à ce que le symbole perforateur  apparaisse. Démarrez lentement la perceuse et augmentez graduellement la vitesse à mesure que vous percez. Lors du perçage dans le bois, utilisez des mèches ou des forets hélicoïdaux. Utilisez toujours des forets ou des mèches bien affûtés. Lorsque vous utilisez des forets hélicoïdaux, retirez-les fréquemment du trou pour enlever les copeaux des goujures. Afin de réduire les risques d'éclatement, appuyez la pièce sur un morceau de bois de rebut. Sélectionnez des vitesses lentes pour le perçage de matières plastiques qui ont un point de fusion assez bas.


### Perçage dans du métal

Lors du perçage dans du métal, faire tourner le collier de sélection jusqu'à ce que le symbole perforateur  apparaisse. Utilisez des forets hélicoïdaux à haute vitesse en acier ou des scies-cloches. Utilisez un centrage au pointeau dans le trou de départ. Lubrifiez les forets avec de l'huile de coupe lors du perçage dans le fer ou l'acier. Utilisez un fluide de refroidissement lors du perçage de métaux non-ferreux comme le cuivre, le laiton ou l'aluminium. Calez le matériau pour éviter un coincement ou une distorsion lors du débouchage de la coupe.

### Perçage de la maçonnerie

Lors du perçage dans la maçonnerie, sélectionnez le mode marteau perforateur . Utilisez des forets à haute vitesse avec pointe au carbone. Les matériaux de maçonnerie moins durs, comme un bloc de cendre, exigent peu de pression. Les matériaux durs, comme le béton, exigent plus de pression. Un débit régulier de poussière indique une bonne vitesse de perçage. Ne laissez pas le foret tourner dans le trou sans percer. N'utilisez pas d'eau pour abattre la poussière ou refroidir le foret. Ces deux pratiques endommagent le carbone.

### Enfonçage de vis et vissage d'écrou

Percez un trou pilote lorsque vous enfoncez des vis dans des matériaux épais ou durs. Choisissez le mode de tournevis . Réglez le collier sélecteur de couple à la position correcte et à une vitesse lente. Utilisez le bon type et la bonne taille d'embout de tournevis pour le type de vis utilisé. Placez un foret pour tournevis dans la vis et le bout de lavis sur la pièce à travailler; appuyez fermement avant d'appuyer sur la gâchette. Vous pouvez enlever les vis en inversant le sens de rotation du moteur.

### Surcharge

Une surcharge continue peut endommager l'outil ou le bloc de piles en permanence.

## ENTRETIEN

**AVERTISSEMENT** Pour minimiser les risques de blessures corporelles, débranchez le chargeur et retirez la batterie du chargeur ou de l'outil avant d'y effectuer des travaux d'entretien. Ne démontez jamais l'outil, la batterie ou le chargeur. Pour toute réparation, consultez un centre de service MILWAUKEE accrédité.

### Entretien de l'outil

Gardez l'outil, la batterie et le chargeur en bon état en adoptant un programme d'entretien ponctuel. Après une période de six mois à un an, selon l'utilisation, renvoyez l'outil, la batterie et le chargeur à un centre de service MILWAUKEE accrédité pour les services suivants:

- Lubrification
- Inspection et nettoyage de la mécanique (engrenages, pivots, coussinets, boîtier, etc.)
- Inspection électrique (batterie, chargeur, moteur)
- Vérification du fonctionnement électromécanique

Si l'outil ne démarre pas ou ne fonctionne pas à pleine puissance alors qu'il est branché sur une batterie complètement chargée, nettoyez les points de contact entre la batterie et l'outil. Si l'outil ne fonctionne toujours pas correctement, renvoyez l'outil, le chargeur et la batterie à un centre de service MILWAUKEE accrédité, afin qu'on en effectue la réparation (voir "Réparations").

**AVERTISSEMENT** Pour minimiser les risques de blessures ou de dommages à l'outil, n'immergez jamais l'outil, la batterie ou le chargeur et ne laissez pas de liquide s'y infiltrer.

### Nettoyage

Débarrassez les événements du chargeur et de l'outil des débris et de la poussière. Gardez les poignées de l'outil propres, à sec et exemptes d'huile ou de graisse. Le nettoyage de l'outil, du chargeur et de la batterie doit se faire avec un linge humide et un savon doux. Certains nettoyants tels l'essence, la térébenthine, les diluants à laque ou à peinture, les solvants chlorés, l'ammoniaque et les détergents d'usage domestique qui en contiennent pourraient détériorer le plastique et l'isolation des pièces. Ne laissez jamais de solvants inflammables ou combustibles auprès de l'outil.

### Réparations

Pour les réparations, retournez outil, batterie et chargeur en entier au centre-service le plus près.

## ACCESOIRES

**AVERTISSEMENT** Retirez toujours la batterie avant de changer ou d'enlever les accessoires. L'utilisation d'autres accessoires que ceux qui sont spécifiquement recommandés pour cet outil peut comporter des risques.

Pour une liste complète des accessoires, prière de se reporter au catalogue MILWAUKEE ou visiter le site internet [www.milwaukeetool.com](http://www.milwaukeetool.com). Pour obtenir un catalogue, il suffit de contacter votre distributeur local ou l'un des centres-service.

## GARANTIE LIMITÉE - AUX ÉTATS-UNIS ET AU CANADA

Chaque outil électrique MILWAUKEE (y compris les produits sans fil [outils, piles, chargeur de piles, lampe de travail]; consulter les énoncés de la GARANTIE LIMITÉE DES BLOCS-PILES SANS FIL) est garanti à l'acheteur d'origine être exempt de vice de matériau et de fabrication. Sous réserve de certaines exceptions, MILWAUKEE réparera ou remplacera toute pièce d'un outil électrique qui, après examen par MILWAUKEE, s'est avérée être affectée d'un vice de matériau ou de fabrication pendant une période de cinq (5) ans\* après la date d'achat, sauf indication contraire. Retourner l'outil électrique, à un centre de réparations en usine MILWAUKEE ou à un poste d'entretien agréé MILWAUKEE, en port prépayé et assuré. Une copie de la preuve d'achat doit être présentée au moment de retourner le produit. Cette garantie ne couvre pas les dommages que MILWAUKEE détermine être causés par des réparations ou des tentatives de réparation par quiconque autre que le personnel agréé par MILWAUKEE, des utilisations incorrectes, des altérations, des utilisations abusives, une usure normale, une carence d'entretien ou des accidents.

\*La période de garantie applicable pour les radios de chantier, le port d'alimentation M12™, Source d'énergie M18™, et les chariots de travail industriels Trade Titan™ est d'une durée d'un (1) an à partir de la date d'achat. La période de la garantie couvrant la lampe de travail à DEL et l'ampoule améliorée à DEL est une garantie A VIE limitée à l'acheteur d'origine seulement; si, lors d'une utilisation normale, l'ampoule à DEL présente une défectuosité, la lampe de travail et l'ampoule seront remplacées sans frais.

\*Cette garantie ne s'applique pas aux cloueuses-agrafeuses pneumatiques, aux pulvérisateurs à peinture sans air, aux blocs piles pour outils sans fil, aux génératrices d'alimentation portatives à essence, aux outils à main, aux monte-charge – électrique, à levier et à chaîne (manuel), aux vestes chauffantes M12™, aux produits réusinés, ni aux produits d'essai et de mesure. Il existe des garanties distinctes pour ces produits.

L'enregistrement de la garantie n'est pas nécessaire pour bénéficier de la garantie en vigueur sur un outil électrique MILWAUKEE. La date de fabrication du produit servira à établir la période de garantie si aucune preuve d'achat n'est fournie lorsqu'une demande de service sous garantie est présentée.

L'ACCEPTATION DES RECOURS EXCLUSIFS DE RÉPARATION ET DE REMPLACEMENT DÉCRITS AUX PRÉSENTS EST UNE CONDITION DU CONTRAT D'ACHAT DE TOUT PRODUIT MILWAUKEE. SI VOUS N'ACCEPTÉZ PAS CETTE CONDITION, VOUS NE DEVEZ PAS ACHETER LE PRODUIT. EN AUCUN CAS MILWAUKEE NE SAURAIT ÊTRE RESPONSABLE DE TOUT DOMMAGE ACCESSOIRE, SPÉCIAL OU INDIRECT, DE DOMMAGES-INTÉRÊTS PUNITIFS OU DE TOUTE DÉPENSE, D'HONORAIRES D'AVOCATS, DE FRAIS, DE PERTE OU DE DÉLAIS ACCESSOIRES À TOUT DOMMAGE, DÉFAILLANCE OU DÉFAUT DE TOUT PRODUIT, Y COMPRIS NOTAMMENT LES PERTES DE PROFIT. CERTAINS ÉTATS ET PROVINCES NE PERMETTANT PAS L'EXCLUSION OU LA LIMITATION DES DOMMAGES DIRECTS OU INDIRECTS, LES RESTRICTIONS CI-DESSUS PEUVENT NE PAS ÊTRE APPLICABLES. CETTE GARANTIE EST EXCLUSIVE ET REMPLACE TOUTE AUTRE GARANTIE EXPRESSE, QU'ELLE SOIT ORALE OU ÉCRITE. DANS LA MESURE PERMISE PAR LA LOI, MILWAUKEE RENONCE À TOUTE GARANTIE IMPLICITE, Y COMPRIS, SANS S'Y LIMITER, TOUTE GARANTIE IMPLICITE DE QUALITÉ MARCHANDE OU D'ADAPTATION À UNE UTILISATION OU À UNE FIN PARTICULIÈRE. DANS LA MESURE OÙ UNE TELLE STIPULATION D'EXONÉRATION N'EST PAS PERMISE PAR LA LOI, LA DURÉE DE CES GARANTIES IMPLICITES EST LIMITÉE À LA PÉRIODE APPLICABLE DE LA GARANTIE EXPRESSE, TEL QUE DÉCRIT PRÉCÉDEMMENT. CERTAINS ÉTATS ET PROVINCES NE PERMETTANT PAS DE LIMITATION DE DURÉE DES GARANTIES IMPLICITES, LES RESTRICTIONS CI-DESSUS PEUVENT NE PAS ÊTRE APPLICABLES. LA PRÉSENTE CONFÈRE À L'UTILISATEUR DES DROITS LÉGAUX PARTICULIERS; IL BÉNÉFICIE ÉGALEMENT D'AUTRES DROITS QUI VARIENT D'UN ÉTAT À L'AUTRE.

Cette garantie s'applique aux produits vendus aux États-Unis et au Canada uniquement.

Veillez consulter la rubrique Centre SAV MILWAUKEE, dans la section Pièces & Service du site Web de MILWAUKEE, à l'adresse [www.milwaukeetool.com](http://www.milwaukeetool.com), ou composer le 1-800-SAWDUST (1-800-729-3878) afin de trouver le centre de réparations en usine MILWAUKEE le plus près.

## GARANTIE LIMITÉE – MEXIQUE, AMÉRIQUE CENTRALE ET CARAÏBES

TECHTRONIC INDUSTRIES™ garantit le produit pendant cinq ans à partir de la date d'achat d'origine. Le présent bon de garantie couvre tous les vices de matériau et de fabrication que peut afficher cet outil électrique. Pour assurer la validité de la présente garantie, veuillez présenter le bon de commande, estampillé du sceau du distributeur ou du magasin où le produit a été acheté, au centre de réparations agréé. Si le bon de commande n'a pas été estampillé, veuillez fournir la preuve d'achat d'origine au centre de réparations agréé. Pour un entretien, des pièces, des accessoires ou d'autres composants, composer sans frais le 1-800-832-1949 afin d'obtenir les coordonnées du centre de réparations agréé le plus près.

### Procédure pour assurer la validité de la garantie

Présenter le produit au centre de réparations agréé, accompagné du bon de commande estampillé du sceau du distributeur ou du magasin où le produit a été acheté. Toute pièce défectueuse ou tout composant défectueux sera remplacé sans frais. Milwaukeee assume tous les frais de transport liés à ce processus de garantie.

### Exceptions

La garantie ne s'applique pas dans les situations suivantes :

- a) Si le produit a été utilisé pour une fin autre que celle indiquée dans le guide de l'utilisateur final ou le manuel d'instructions.
- b) Si les conditions d'utilisations ne sont pas habituelles.
- c) Si le produit a été modifié ou réparé par une personne non autorisée par TECHTRONIC INDUSTRIES.

Note : Si le cordon électrique est endommagé, il doit être remplacé par un centre de réparations agréé pour éviter les risques d'électrocution.

Modèle : \_\_\_\_\_

Date d'achat : \_\_\_\_\_

Sceau du distributeur ou du magasin : \_\_\_\_\_

CENTRE DE RÉPARATIONS ET DE SERVICE  
Av Presidente Mazarik 29 Piso 7, 11570 Chapultepec Morales  
Miguel Hidalgo, Distrito Federal, Mexico  
Ph. 52 55 4160-3547

IMPORTÉ ET COMMERCIALISÉ PAR :  
TECHTRONIC INDUSTRIES MEXICO, S.A. DE C.V.  
Av Presidente Mazarik 29 Piso 7, 11570 Chapultepec Morales  
Miguel Hidalgo, Distrito Federal, Mexico



## ADVERTENCIAS DE SEGURIDAD GENERALES PARA LA HERRAMIENTA ELÉCTRICA

**ADVERTENCIA LEA TODAS LAS ADVERTENCIAS E INSTRUCCIONES DE SEGURIDAD.** Si no sigue todas las advertencias e instrucciones, se pueden provocar una descarga eléctrica, un incendio o lesiones graves. **Guarde todas las advertencias e instrucciones para consultarlas en el futuro.** El término "herramienta eléctrica" en todas las advertencias incluidas más abajo se refiere a su herramienta operada por conexión (cable) a la red eléctrica o por medio de una batería (inalámbrica).

### SEGURIDAD EN EL ÁREA DE TRABAJO

- Mantenga limpia y bien iluminada el área de trabajo. Las áreas desordenadas u oscuras contribuyen a que se produzcan accidentes.
- No utilice herramientas eléctricas en atmósferas explosivas, como en la presencia de líquidos, gases o polvo inflamables. Las herramientas eléctricas crean chispas que pueden incendiar el polvo o las emanaciones.
- Mantenga a los niños y otras personas alejadas mientras utiliza una herramienta eléctrica. Las distracciones pueden hacerle perder el control.

### SEGURIDAD ELÉCTRICA

- Los enchufes de las herramientas eléctricas deben ser del mismo tipo que el tomacorrientes. Nunca realice ningún tipo de modificación en el enchufe. No use enchufes adaptadores con herramientas eléctricas con conexión a tierra. Se reducirá el riesgo de descarga eléctrica si no se modifican los enchufes y los tomacorrientes son del mismo tipo.
- Evite el contacto corporal con superficies con conexión a tierra, como tuberías, radiadores, estufas y refrigeradores. El riesgo de descarga eléctrica aumenta si su cuerpo está conectado a tierra.
- No exponga la herramientas eléctricas a la lluvia o a condiciones de humedad. El agua que entra en una herramienta eléctrica aumenta el riesgo de descarga eléctrica.
- No abuse del cable. Nunca use el cable para transportar la herramienta eléctrica, tirar de ella o desenchufarla. Mantenga el cable alejado del calor, los bordes afilados o las piezas en movimiento. Los cables dañados o enmarañados aumentan el riesgo de descarga eléctrica.
- Cuando se utiliza una herramienta eléctrica en el exterior, use una extensión que sea apropiada para uso en el exterior. El uso de un cable apropiado para el exterior reduce el riesgo de descarga eléctrica.
- Si debe operar una herramienta eléctrica en un lugar húmedo, utilice un suministro protegido por un interruptor de circuito con conexión a tierra (GFCI). Usar un GFCI reduce el riesgo de que se produzcan descargas eléctricas.

### SEGURIDAD PERSONAL

- Manténgase alerta, ponga cuidado a lo que está haciendo y use el sentido común cuando utilice una herramienta eléctrica. No use una herramienta eléctrica cuando está cansado o bajo la influencia de drogas, alcohol o medicamentos. Despistarse un minuto cuando se utiliza una

herramienta eléctrica puede tener como resultado lesiones personales graves.

- Use un equipo de protección personal. Lleve siempre protección ocular. Llevar un equipo de protección apropiado para la situación, como una máscara antipolvo, zapatos de seguridad antideslizantes, un casco o protección auditiva, reducirá las lesiones personales.
- Evite el encendido accidental. Asegúrese de que el interruptor esté en la posición de apagado antes de conectarlo a la toma de alimentación o a la batería, al levantar o mover la herramienta. Mover herramientas con el dedo en el interruptor o enchufarlas con el interruptor en la posición de encendido contribuye a que se produzcan accidentes.
- Quite todas las llaves de ajuste antes de encender la herramienta. Una llave que esté acoplada a una pieza giratoria de la herramienta puede provocar lesiones personales.
- No se estire demasiado. Mantenga los pies bien asentados y el equilibrio en todo momento. Esto permite tener mejor control de la herramienta eléctrica en situaciones inesperadas.
- Vístase de manera apropiada. No lleve ropa suelta ni joyas. Mantenga el cabello, la ropa y los guantes lejos de las piezas en movimiento. La ropa floja, las joyas o el cabello largo pueden quedar atrapados en las piezas en movimiento.
- Si se proporcionan dispositivos para la conexión de sistemas de recolección y extracción de polvo, asegúrese de que estén conectados y se usen apropiadamente. El uso de estos dispositivos puede reducir los peligros relacionados con el polvo.

### USO Y CUIDADO DE LAS HERRAMIENTAS ELÉCTRICAS

- No fuerce la herramienta eléctrica. Use la herramienta eléctrica correcta para la aplicación. La herramienta eléctrica correcta funcionará mejor y de manera más segura a la velocidad para la que se diseñó.
- No use la herramienta eléctrica si el interruptor no la enciende ni la apaga. Cualquier herramienta eléctrica que no se pueda controlar con el interruptor es peligrosa y se debe reparar.
- Desconecte el enchufe de la toma de alimentación y/o la batería de la herramienta eléctrica antes de realizar cualquier ajuste, cambiar accesorios o almacenar las herramientas eléctricas. Dichas medidas preventivas de seguridad reducen el riesgo de que la herramienta se prenda accidentalmente.
- Almacene las herramientas eléctricas fuera del alcance de los niños y no permita que

personas no familiarizadas con ellas o estas instrucciones las utilicen. Las herramientas eléctricas son peligrosas en las manos de usuarios no capacitados.

- Mantenimiento de las herramientas eléctricas. Revise que no haya piezas móviles que estén desalineadas o que se atasquen, piezas rotas ni ninguna otra condición que pueda afectar el funcionamiento de la herramienta eléctrica. Si se encuentran daños, haga que le reparen la herramienta antes de usarla. Las herramientas mal mantenidas son la causa de muchos accidentes.
- Mantenga las herramientas de corte limpias y afiladas. Es menos probable que se atasquen las herramientas de corte con filos afilados que se mantienen de manera apropiada y también son más fáciles de controlar.
- Use la herramienta eléctrica, los accesorios, las brocas, etc. siguiendo estas instrucciones, teniendo en cuenta las condiciones de trabajo y la tarea que se va a realizar. El uso de la herramienta eléctrica para operaciones diferentes de aquellas para las que se diseñó podría originar una situación peligrosa.

### USO Y CUIDADO DE LAS HERRAMIENTAS CON BATERÍA

- Recárguela solamente con el cargador especificado por el fabricante. Un cargador que sea apropiado para un tipo de batería puede crear riesgo de incendio cuando se use con otra batería.
- Use las herramientas eléctricas solamente con baterías específicamente diseñadas. El uso de cualquier otro tipo de batería puede crear riesgo de lesiones o incendio.
- Cuando no se use la batería manténgala alejada de otros objetos de metal como clips para papel, monedas, llaves, clavos, tornillos u otros objetos de metal pequeños que puedan realizar una conexión entre los bornes. Realizar un cortacircuito en los terminales de la batería puede provocar quemaduras o un incendio.
- Bajo condiciones abusivas, puede salir líquido expulsado de la batería; evitar el contacto. Si se produce un contacto accidental, lavar con agua. Si el líquido entra en contacto con los ojos buscar ayuda médica adicional. El líquido que sale despedido de la batería puede causar irritaciones o quemaduras.

### MANTENIMIENTO

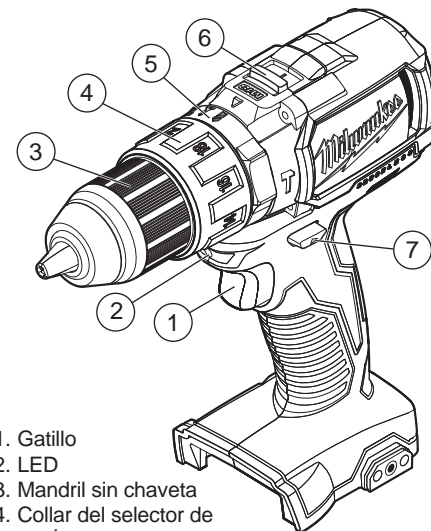
- Haga que un técnico calificado realice el mantenimiento de la herramienta eléctrica utilizando solamente piezas de repuesto idénticas. Esto asegurará que se mantiene la seguridad de la herramienta eléctrica.

### REGLAS ESPECÍFICAS DE SEGURIDAD

- Lleve protectores auditivos cuando use la broca de impacto. La exposición a ruido puede producir la pérdida de la audición.
- Use los asideros auxiliares que se suministran con la herramienta. La pérdida de control puede provocar lesiones personales.

- Agarre la herramienta por los asideros aislados cuando realice una operación en la que la herramienta de corte pueda entrar en contacto con cables ocultos. El contacto con un cable "con corriente" hará que las partes de metal expuesto de la herramienta pasen la corriente y produzcan una descarga al operador.
- Mantenga las etiquetas y las placas identificativas. Tienen información importante. Si no se pueden leer o si faltan, póngase en contacto con un centro de servicio MILWAUKEE para obtener un repuesto gratuito.
- ADVERTENCIA Ciertos polvos creados al lijar, serar, esmerilar, perforar y realizar otras actividades de construcción contienen productos químicos que se sabe que causan cáncer, defectos congénitos u otros daños al aparato reproductor. Algunos ejemplos de dichos productos químicos son:
  - plomo de pintura con base de plomo
  - sílice cristalino de los ladrillos y cemento y de otros productos de mampostería, y
  - arsénico y cromo provenientes de madera tratada químicamente.
 Su riesgo de exposición varía dependiendo de la frecuencia con la que realice este tipo de trabajo. Para reducir su exposición a estos productos químicos: trabaje en un área bien ventilada, y trabaje con equipo de seguridad aprobado, como máscaras antipolvo especialmente diseñadas para filtrar partículas microscópicas.

### DESCRIPCION FUNCIONAL



1. Gatillo
2. LED
3. Mandril sin chaveta
4. Collar del selector de par torsor
5. Collarín de selección de la aplicación (2702-20 sólo)
6. Interruptor de selección de velocidad
7. Interruptor de control



## ESPECIFICACIONES

Cat. No.	Volts cd	RPM	BPM	Acero	Madera				Concreto
					Broca Plana	Broca de Berbiquí	Broca Hueca Cilíndrica de Bordes	Tornillos (diam.)	
2701-20	18	Baja 0-450 Alta 0-1 800	-- --	13 mm (1/2")	29 mm (1-1/8")	25 mm (1")	54 mm (2-1/8")	6 mm (1/4")	-- --
2702-20	18	Baja 0-450 Alta 0-1 800	Baja 0-7 200 Alta 0-28 800	13 mm (1/2")	29 mm (1-1/8")	25 mm (1")	54 mm (2-1/8")	6 mm (1/4")	16 mm (5/8")

## SIMBOLOGÍA

	Volts
	Corriente directa
$n_0$ XXXX min. <sup>-1</sup>	Revoluciones por minuto sin carga (RPM)
$n$ XXXX min. <sup>-1</sup>	Impactos por minuto bajo carga (BPM)
	Underwriters Laboratories, Inc., Estados Unidos y Canadá

## ENSAMBLAJE

**ADVERTENCIA** Recargue la batería sólo con el cargador especificado para ella. Para instrucciones específicas sobre cómo cargar, lea el manual del operador suministrado con su cargador y la batería.

### Como se inserta/quita la batería en la herramienta

Para retirar la batería, presione los botones de liberación y jale de la batería para sacarla de la herramienta.

Para introducir la batería, deslícela en el cuerpo de la herramienta. Asegúrese de que quede bien firme en su posición.

## OPERACION

**ADVERTENCIA** Para reducir el riesgo de lesiones, extraiga siempre la batería antes de acoplar o desacoplar accesorios. Utilice únicamente accesorios específicamente recomendados para esta herramienta. El uso de accesorios no recomendados podría resultar peligroso.

**ADVERTENCIA** Para reducir el riesgo de lesiones, use siempre lentes de seguridad o anteojos con protectores laterales.

### Utilización del portabrocas

Su herramienta inalámbrica está equipada con un bloqueo del vástago. El portabrocas puede apretarse con una mano, creando fuerzas de sujeción más altas en la broca.

Antes de meter o sacar las brocas, siempre se debe extraer la batería o ponerle el seguro al gatillo.

1. Para abrir las mordazas del portabrocas, gire el anillo en dirección antihoraria. Si se usan brocas para taladrar, deje que la broca toque el fondo del portabrocas. Centre la broca en las mordazas del portabrocas y súbala aproximadamente 2 mm (1/16 pulg.) del fondo. Si se usan brocas con destornillador, introduzca la broca lo suficiente para que las mordazas sujeten la sección hexagonal de la broca.

2. Para cerrar las mordazas del portabrocas, gire el anillo en dirección horaria. La broca queda asegurada cuando el portabrocas hace un sonido de matraca y no es posible hacer girar más el anillo.

3. Para sacar la broca, gire el anillo en dirección antihoraria.

**NOTA:** Cuando se abra o cierre el portabrocas es posible que se oiga un ruido de matraca. Este ruido es parte del dispositivo de bloqueo y no indica un problema en el funcionamiento del portabrocas.

### Selección de la acción de taladro o atornillado (Cat. No. 2701-20)

1. Para usar el modo de taladro, rote el collarín selector de par de torsión hasta que el símbolo de taladro aparezca alineado con la flecha.

2. Para usar el modo de atornillado, rote el collarín selector de par de torsión hasta que el valor de embrague deseado aparezca alineado con la flecha. El embrague ajustable, cuando está bien ajustado, patinará al par de torsión preestablecido para impedir que el tornillo entre demasiado en diferentes materiales y para impedir dañar el tornillo o la herramienta.

### Selección de la acción de percusión, taladro o atornillado (Cat. No. 2702-20)

1. Para usar el modo de martillo-taladro gire el collarín selector de martillo/taladro hasta que el símbolo aparezca alineado con la flecha. Aplique presión sobre la broca para activar el mecanismo de martilleo.

**NOTA:** El número seleccionado en el collarín de par de apriete no tiene efecto en el funcionamiento del taladro en el modo de taladrado.

**NOTA:** Cuando se usen brocas de carburo, no use agua para asentar el polvo. No intente taladrar varillas de refuerzo de acero. Esto dañará las brocas de carburo.

2. Para usar el modo de taladro gire el collarín selector de martillo/taladro hasta que el símbolo de taladro aparezca alineado con la flecha.

**NOTA:** El número seleccionado en el collarín de par de apriete no tiene efecto en el funcionamiento del taladro en el modo de taladrado.

3. Para usar el modo de atornillado, gire el collarín selector de aplicación hasta que el símbolo de drive (atornillar) aparezca alineado con la flecha. Después rote el collarín selector de par de torsión hasta que el valor de embrague deseado aparezca alineado con la flecha.

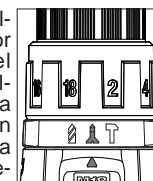
El embrague ajustable, cuando está bien ajustado, patinará al par de torsión preestablecido para impedir que el tornillo entre demasiado en diferentes materiales y para impedir dañar el tornillo o la herramienta.

Las especificaciones de torsión que se muestran enseguida son valores aproximados.

Cat. No. 2701-20		
Collar del selector de par torsor	Par torsor (N•m)	Aplicaciones
1-3	2,8-3,2	Tornillos pequeños en madera suave.
4-6	3,3-3,8	Tornillos medianos en madera suave o tornillos pequeños en madera dura.
7-9	4,0-4,4	Tornillo largos en madera suave.
10-13	4,5-5,0	Tornillos medianos en madera dura o tornillos largos en madera dura con perforación piloto.
14-16	5,2-5,6	

Cat. No. 2702-20		
Collar del selector de par torsor	Par torsor (N•m)	Aplicaciones
1-3	2,8-3,2	Tornillos pequeños en madera suave.
4-6	3,3-3,8	Tornillos medianos en madera suave o tornillos pequeños en madera dura.
7-9	4,0-4,4	Tornillo largos en madera suave.
10-13	4,5-5,0	Tornillos medianos en madera dura o tornillos largos en madera dura con perforación piloto.
14-17	5,2-5,8	
18	6,0	

**NOTA:** Dado que los ajustes anteriores constituyen solamente una guía, use una pieza de material de desecho para probar diferentes posiciones de embrague antes de colocar los tornillos en la pieza de trabajo.



### Selección de la velocidad

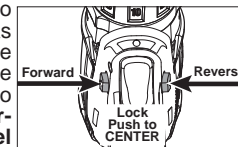
El selector de velocidad está sobre el alojamiento del motor. Deje que la herramienta se detenga por completo antes de cambiar velocidades. Consulte "Aplicaciones" para las velocidades recomendadas para varias situaciones.

1. Para seleccionar la velocidad Low (baja), empuje el selector de velocidad hacia atrás, para mostrar "1".
2. Para seleccionar la velocidad High (alta), empuje el selector de velocidad hacia adelante, para mostrar "2".

### Utilización del interruptor de control

El interruptor de control se puede colocar en tres posiciones diferentes: avance, retroceso y bajo seguro. Debido a un mecanismo de traba, el interruptor de control se puede cambiar de posición únicamente cuando el interruptor de ENCENDIDO/APAGADO no esté presionado. Para poder usar el interruptor de control, siempre se debe esperar a que el motor se pare por completo.

Para **avanzar** (el giro es en el sentido de las manecillas del reloj), se presiona el interruptor de control colocado al lado derecho del taladro. **Verificar la dirección del giro antes de usarlo.**



Para **retroceder** (el giro es en el sentido opuesto a las manecillas del reloj), se presiona el interruptor de control colocado al lado izquierdo del taladro. **Verificar la dirección del giro antes de usarlo.** Para ponerle el **seguro** al gatillo, el interruptor de control se coloca en la posición central. El gatillo no funcionará mientras el interruptor de control se encuentre bajo seguro en la posición central. Se le debe poner el seguro al gatillo antes de quitar la batería, cambiar accesorios, dar mantenimiento, almacenar el taladro y siempre que éste no esté siendo usado.

**ADVERTENCIA** Para reducir el riesgo de lesiones, sujete o apoye la herramienta de manera segura.

### Encendido, parada y control de la velocidad

1. Para encender la herramienta, agarre el mango firmemente y apriete el gatillo.
- NOTA:** Las vueltas luz LED en cuando el disparador se tira.
2. Para cambiar la velocidad, aumente o disminuya la presión sobre el gatillo. Cuanto más se apriete el gatillo, mayor será la velocidad.
3. Para parar la herramienta, suelte el gatillo. Asegúrese de que la broca se detiene por completo antes de soltar la herramienta.


## Perforación

Coloque la broca en la superficie de trabajo y aplique presión firme antes de comenzar. Una presión excesiva hará que la broca vaya lenta y reducirá la eficiencia de la perforación. Una presión demasiado ligera hará que la broca se mueva por el área de trabajo y la punta de la broca pierda el afilado. Si la herramienta empieza a detenerse, reduzca la presión ligeramente para dejar que la broca recupere velocidad. Si la broca se atasca, invierta la dirección del motor para sacar la broca de la pieza de trabajo de trabajo.


## APLICACIONES

**ADVERTENCIA** Para reducir el riesgo de electrocución, antes de taladrar o colocar tornillos verifique que en el área de trabajo no hayan tuberías o cables ocultos.


### Taladrado en madera, materiales compuestos y plásticos

Cuando taladre en madera, materiales compuestos y plásticos, seleccione el modo que perfora . Comience a taladrar a una velocidad lenta y aumente la velocidad gradualmente conforme taladra. Cuando taladre en madera, use brocas de berbiquí para madera o brocas helicoidales. Siempre use brocas afiladas. Cuando use brocas helicoidales, tire de la broca hacia fuera del orificio para eliminar las rebabas de las estrías de la broca. Para reducir la producción de astillas, apoye el trabajo con una pieza de material de desecho. Se recomienda seleccionar velocidades lentas para plásticos con un punto de derretimiento bajo.

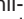
### Taladrado en metal

Cuando taladre en metal, seleccione el modo que perfora . Use brocas helicoidales de acero de alta velocidad o brocas huecas cilíndricas de bordes. Use un punzón central para perforar el orificio. Lubrique las brocas para taladros con aceite para corte cuando taladre en hierro o acero. Utilice un refrigerante cuando taladre en metales no ferrosos como cobre, latón o aluminio. Coloque un respaldo en el material para evitar que se doble o distorsione una vez realizada la operación.

### Taladrado en concreto

Cuando taladre en concreto, seleccione  el modo de operación martilleo-taladrado. Use brocas de punta de carburo de alta velocidad. El taladrado en materiales suaves como bloques de hormigón de escorias, requiere poca presión. Materiales duros como el concreto, requieren más presión. Se sabe que se está taladrando a un ritmo adecuado cuando se produce un flujo parejo y suave de polvo. No permita que la broca gire en el orificio sin cortar. No utilice agua para asentar el polvo o enfriar la broca. Ambas acciones ocasionarán daños al carburo.

### Cómo colocar tornillos y tuercas

Perfore un orificio piloto cuando coloque tornillos en materiales gruesos o duros. Seleccione el atornillado modo . Coloque el collar del selector de par torsor en la posición correcta y ajuste la velocidad a "baja". Use el estilo y tamaño de

destornillador de berbiquí correcto para el tipo de tornillo que está utilizando. Con el destornillador de berbiquí en el tornillo, coloque la punta del tornillo en la pieza de trabajo y aplique presión firmemente antes de oprimir el gatillo. Los tornillos pueden extraerse colocando el motor en dirección de retroceso.

### Sobrecarga

La sobrecarga continua podría ocasionar daño permanente a la herramienta o a la batería.

## MANTENIMIENTO

**ADVERTENCIA** Para reducir el riesgo de una lesión, desconecte siempre la herramienta antes de darle cualquier mantenimiento. Nunca desarme la herramienta ni trate de hacer modificaciones en el sistema eléctrico de la misma. Acuda siempre a un Centro de Servicio MILWAUKEE para TODAS las reparaciones.

### Mantenimiento de la herramienta

Adopte un programa regular de mantenimiento y mantenga sus baterías y cargador en buenas condiciones. Después de 6 meses a un año, dependiendo del uso dado, envíe su herramienta, batería y cargador, al Centro de Servicio MILWAUKEE mas cercano para que le hagan:

- Lubricación
- Inspección mecánica y limpieza (engranes, flechas, baleros, carcasa, etc.)
- Inspección eléctrica (batería, cargador, motor)
- Probarla para asegurar una adecuada operación mecánica eléctrica

Si la herramienta no arranca u opera a toda su potencia con una batería completamente cargada, limpie, con una goma o borrador, los contactos de la batería y de la herramienta. Si aun así la herramienta no trabaja correctamente, regrésela, con el cargador y la batería, a un centro de servicio MILWAUKEE para que sea reparada.

**ADVERTENCIA** Para reducir el riesgo de una explosión, no queme nunca una batería, aun si está dañada, "muerta" o completamente descargada.

### Limpieza

Limpie el polvo y suciedad de las ventilas del cargador y la herramienta. Mantenga los mangos y empuñaduras limpios, secos y libres de aceite o grasa. Use solo jabón neutro y un trapo húmedo para limpiar la herramienta, batería y el cargador, ya que algunos substancias y solventes limpiadores son dañinos a los plásticos y partes aislantes. Algunos de estos incluyen: gasolina, turpentina, thinner, lacas, thinner para pinturas, solventes para limpieza con cloro, amoníaco y detergentes caseros que tengan amonía. Nunca use solventes inflamables o combustibles cerca de una herramienta.

### Reparaciones

Si su herramienta, batería o cargador están dañados, envíela al centro de servicio más cercano.

## ACCESORIOS

**ADVERTENCIA** Para reducir el riesgo de lesiones, siempre extraiga la batería antes de cambiar o retirar accesorios. Utilice únicamente accesorios específicamente recomendados para esta herramienta. El uso de accesorios no recomendados podría resultar peligroso.

Para una lista completa de accesorios, refiérase a su catálogo MILWAUKEE o visite nuestro sitio en Internet: [www.milwaukeetool.com](http://www.milwaukeetool.com). Para obtener un catálogo, contacte su distribuidor local o uno de los centros de servicio.

## GARANTÍA LIMITADA - E.U.A. Y CANADÁ

Se garantiza al comprador original que ninguna de las herramientas eléctricas MILWAUKEE (incluido el producto inalámbrico, la herramienta y las baterías; consulte las declaraciones distintas y por separado en GARANTÍA LIMITADA DEL PAQUETE DE BATERÍAS INALÁMBRICAS y de las luces de trabajo y del cargador de baterías) presentan defectos en material ni en mano de obra. En un plazo de cinco (5) años\* a partir de la fecha de compra y sujeto a ciertas excepciones, MILWAUKEE reparará o reemplazará cualquier parte de una herramienta eléctrica que, luego de ser examinada, MILWAUKEE compruebe que presenta defectos en material o mano de obra, a menos que se indique lo contrario. Se requiere la devolución de la herramienta eléctrica a un centro de mantenimiento de la fábrica MILWAUKEE o a un centro de reparaciones autorizado por MILWAUKEE, con gastos de envío prepagados y asegurados. La devolución del producto debe estar acompañada por un comprobante de compra. Esta garantía no se aplica a los daños que MILWAUKEE establece que fueron ocasionados por reparaciones o intentos de reparación por parte de personal no autorizado por MILWAUKEE, uso indebido, alteraciones, abuso, desgaste y deterioro normal, falta de mantenimiento o accidentes.

\*El período de garantía de las radios para obras, del puerto de alimentación M12™, Fuente de poder M18™, y de las carretillas de trabajo industrial Trade Titan™ es de un (1) año a partir de la fecha de compra. El período de garantía de la lámpara de trabajo con diodo luminiscente y del foco mejorado con diodo luminiscente es una garantía VITALICIA™ limitada para el comprador original únicamente. Si durante el uso normal el foco de diodo luminiscente no funciona, la lámpara de trabajo o el foco mejorado se reemplazará sin carga.

\*Esta garantía no cubre las clavadoras aéreas, las engrapadoras, el rociador de pintura inalámbrico, el paquete de baterías inalámbrico, los generadores eléctricos portátiles que funcionan con gasolina, herramientas manuales, elevadores (eléctricos, con palanca y con cadenas manuales), camisas de calefacción M12™, productos reacondicionados y productos de prueba y medición. Se encuentran disponibles garantías distintas para estos productos.

No se necesita registro de garantía para obtener la garantía correspondiente de un producto eléctrico MILWAUKEE. La fecha de fabricación del producto se utilizará para determinar el período de garantía si no se presenta un comprobante de compra en el momento en que se solicita el servicio de garantía.

LA ACEPTACIÓN DE LOS DERECHOS A REPARACIÓN Y REEMPLAZO EXCLUSIVAMENTE DESCRITOS EN EL PRESENTE DOCUMENTO CONSTITUYE UNA CONDICIÓN DEL CONTRATO POR LA COMPRA DE CADA PRODUCTO MILWAUKEE. SI NO ACEPTA ESTA CONDICIÓN, NO DEBE COMPRAR EL PRODUCTO. MILWAUKEE NO SERÁ EN NINGÚN CASO RESPONSABLE DE DAÑOS INCIDENTALES, ESPECIALES, CONSECUENTES O PUNITIVOS, NI DE COSTOS, HONORARIOS DE ABOGADOS, GASTOS, PÉRDIDAS O DEMORAS SUPUESTAMENTE CAUSADOS COMO CONSECUENCIA DE CUALQUIER DAÑO, FALLA O DEFECTO EN CUALQUIER PRODUCTO, INCLUIDOS, A MODO DE EJEMPLO, RECLAMOS POR PÉRDIDA DE GANANCIAS, ALGUNOS ESTADOS NO PERMITEN LA EXCLUSIÓN O LA LIMITACIÓN DE DAÑOS INCIDENTALES O CONSECUENTES, POR LO TANTO, LAS LIMITACIONES Y EXCLUSIONES ANTERIORES PUEDEN NO APLICARSE PARA USTED. ESTA GARANTÍA ES EXCLUSIVA Y SUSTITUYE A TODAS LAS OTRAS GARANTÍAS EXPRESAS, ESCRITAS U ORALES. SEGÚN LO PERMITA LA LEY, MILWAUKEE SE EXIME DE TODA GARANTÍA IMPLÍCITA, INCLUIDOS, A MODO DE EJEMPLO, TODA GARANTÍA IMPLÍCITA DE COMERCIABILIDAD O IDONEIDAD PARA UN USO O PROPÓSITO EN PARTICULAR; EN LA MEDIDA EN QUE DICHA RENUNCIA NO ESTÉ PERMITIDA POR LA LEY, DICHAS GARANTÍAS IMPLÍCITAS ESTÁN LIMITADAS A LA DURACIÓN DE LA GARANTÍA EXPRESA APLICABLE SEGÚN SE DESCRIBE ANTERIORMENTE, ALGUNOS ESTADOS NO PERMITEN LIMITACIONES EN LA DURACIÓN DE UNA GARANTÍA IMPLÍCITA, POR LO TANTO, LA LIMITACIÓN ANTERIOR PUEDE NO APLICARSE PARA USTED. ESTA GARANTÍA LE OTORGA DERECHOS LEGALES ESPECÍFICOS Y TAMBIÉN PUEDE TENER OTROS DERECHOS QUE VARIAN DE ESTADO EN ESTADO.

Esta garantía se aplica a los productos vendidos en los EE. UU. y Canadá.

Consulte 'Service Center Search' (Búsqueda de centro de servicio) en la sección Parts & Services (Piezas y servicios) del sitio web MILWAUKEE, [www.milwaukeetool.com](http://www.milwaukeetool.com) o llame al 1.800.SAWDUST (1.800.729.3878) para encontrar su Centro de Servicio de la fábrica de MILWAUKEE más cercano.

## PÓLIZA DE GARANTÍA - VALIDA SOLO PARA MÉXICO, AMÉRICA CENTRAL Y EL CARIBE

TECHTRONIC INDUSTRIES, garantiza por 5 años este producto a partir de la fecha original de compra. Esta garantía cubre cualquier defecto que presenten las piezas, componentes y la mano de obra contenidas en este producto Para América Central y el Caribe se debe confirmar en el Centro de Servicio Autorizado el plazo de la garantía.

Para hacer efectiva la Garantía deberá presentar al Centro de Servicio Autorizado la Póliza de Garantía sellada por el establecimiento en donde adquirió el producto. Si no la tienen, podrá presentar el comprobante de compra original. Usted puede llamar sin costo al teléfono 01 800 832 1949 o por correo electrónico a la dirección "servicio@tigroupna.com", para ubicar el Centro de Servicio Autorizado más cercano a su domicilio, en el cual además podrá adquirir partes, componentes, consumibles y accesorios, que usted necesite.

### Procedimiento para hacer válida la garantía

Acuda al Centro de Servicio con el producto y la póliza de garantía sellada por el establecimiento donde realizó la compra. Ahí se reemplazará cualquier pieza o componente defectuoso sin cargo alguno para el usuario final. La empresa se hace responsable de los gastos de transportación razonablemente erogados que se deriven del cumplimiento de la presente garantía.

### Excepciones

La garantía perderá validez en los siguientes casos:

- a) Cuando el producto se hubiese utilizado en condiciones distintas a las normales.
  - b) Cuando el producto no hubiese sido operado de acuerdo con el instructivo de uso que lo acompaña.
  - c) Cuando el producto hubiese sido alterado o reparado por personas no autorizadas por TECHTRONIC INDUSTRIES.
- Nota: Si el cordón de alimentación es dañado, este debe ser reemplazado por el fabricante o por un Centro de Servicio Autorizado para evitar riesgo.

Modelo: \_\_\_\_\_

Fecha de Compra: \_\_\_\_\_

Sello del Distribuidor: \_\_\_\_\_

CENTRO DE SERVICIO Y ATENCIÓN A CLIENTES  
Av Presidente Mazarik 29 Piso 7, 11570 Chapultepec Morales  
Miguel Hidalgo, Distrito Federal, Mexico  
Tel. 52 55 4160-3547

IMPORTADO Y COMERCIALIZADO POR:  
TECHTRONIC INDUSTRIES MEXICO, S.A. DE C.V.  
Av Presidente Mazarik 29 Piso 7, 11570 Chapultepec Morales  
Miguel Hidalgo, Distrito Federal, Mexico



## UNITED STATES MILWAUKEE Service

MILWAUKEE prides itself in producing a premium quality product that is NOTHING BUT HEAVY DUTY®. Your satisfaction with our products is very important to us! If you encounter any problems with the operation of this tool, or you would like to locate the *factory Service/Sales Support Branch* or *authorized service station* nearest you, please call...

Additionally, we have a nationwide network of *authorized* Distributors ready to assist you with your tool and accessory needs. Check your "Yellow Pages" phone directory under "Tools-Electric" for the names & addresses of those nearest you or see the 'Where To Buy' section of our website.

### 1-800-SAWDUST

(1.800.729.3878)

Monday-Friday  
7:00 AM - 6:30 PM  
Central Time

or visit our website at

[www.milwaukeetool.com](http://www.milwaukeetool.com)

For service information, use the 'Service Center Search' icon found in the 'Parts & Service' section.

#### Contact our Corporate After Sales Service Technical Support about ...

- Technical Questions
- Service/Repair Questions
- Warranty

call: 1-800-SAWDUST  
fax: 1.800.638.9582

email: [metproductsupport@milwaukeetool.com](mailto:metproductsupport@milwaukeetool.com)

#### Register your tool online at [www.milwaukeetool.com](http://www.milwaukeetool.com) and...

- receive important notifications regarding your purchase
- ensure that your tool is protected under the warranty
- become a HEAVY DUTY club member

## CANADA - Service MILWAUKEE

MILWAUKEE prides itself in producing a premium quality product that is NOTHING BUT HEAVY DUTY®. Your satisfaction with our products is very important to us!

If you encounter any problems with the operation of this tool, or you would like to locate the *factory Service/Sales Support Branch* or *authorized service station* nearest you, please call...

### 1.800.268.4015

Monday – Friday 7:00 – 4:30 CST  
fax: 866.285.9049

#### Milwaukee Electric Tool (Canada) Ltd

140 Fernstaff Court, Unit 4 18129 111 Avenue NW  
Vaughan, ON L4K 3L8 Edmonton, AB T5S 2P2

Additionally, we have a nationwide network of *authorized* Distributors ready to assist you with your tool and accessory needs. Call 1.800.268.4015 to find the names and addresses of the closest retailers or consult "Where to buy" on our Web site [www.milwaukeetool.com](http://www.milwaukeetool.com)

MILWAUKEE est fier de proposer un produit de première qualité NOTHING BUT HEAVY DUTY®. Votre satisfaction est ce qui compte le plus!

En cas de problèmes d'utilisation de l'outil ou pour localiser le centre de service/ventes ou le *centre d'entretien* le plus proche, appelez le...

### 1.800.268.4015

Lundi – Vendredi 7:00 – 4:30 CST  
fax: 866.285.9049

#### Milwaukee Electric Tool (Canada) Ltd

140 Fernstaff Court, Unit 4 18129 111 Avenue NW  
Vaughan, ON L4K 3L8 Edmonton, AB T5S 2P2

Notre réseau national de distributeurs *agréés* se tient à votre disposition pour fournir l'aide technique, l'outillage et les accessoires nécessaires. Composez le 1.800.268.4015 pour obtenir les noms et adresses des revendeurs les plus proches ou bien consultez la section «Où acheter» sur notre site web à l'adresse [www.milwaukeetool.com](http://www.milwaukeetool.com)

## MEXICO - Soporte de Servicio MILWAUKEE

### CENTRO DE ATENCION A CLIENTES

Av. Presidente Masarik 29 Piso 7  
CP. 11570. Col. Chapultepec Morales  
Del. Miguel Hidalgo, Distrito Federal, México  
01-800-8321949

Lunes a Viernes (9am a 6pm)

O contáctanos en [www.milwaukeetool.com.mx](http://www.milwaukeetool.com.mx)

Para información de Centros de Servicio busca el icono "Servicio al cliente"- "Contáctanos"

#### Contacta nuestro servicio técnico para....

- Preguntas Técnicas
- Asesoría, servicio y reparación
- Garantía

Adicionalmente, tenemos una red nacional de distribuidores autorizados listos para ayudarle con su herramienta y sus accesorios. Por favor, llame al 01 800 8321949 para obtener los nombres y direcciones de los más cercanos a usted, o consulte la sección "Dónde Comprar" en nuestro sitio web [www.milwaukeetool.com.mx](http://www.milwaukeetool.com.mx)

## MILWAUKEE ELECTRIC TOOL CORPORATION

13135 West Lisbon Road • Brookfield, Wisconsin, U.S.A. 53005